



US00D514425S

(12) **United States Design Patent** (10) **Patent No.:** **US D514,425 S**  
**Hamilton et al.** (45) **Date of Patent:** **\*\* Feb. 7, 2006**

(54) **LOCKING DEVICE**

(75) Inventors: **Eric K. Hamilton**, Fort Wayne, IN (US); **Joseph S. Kromkowski**, Granger, IN (US); **Todd Schmutzler**, Angola, IN (US)

(73) Assignee: **Brammall, Inc.**, Angola, IN (US)

(\*\*) Term: **14 Years**

(21) Appl. No.: **29/206,196**

(22) Filed: **May 27, 2004**

(51) **LOC (8) Cl.** ..... **08-07**

(52) **U.S. Cl.** ..... **D8/331**

(58) **Field of Classification Search** ..... D8/330,  
D8/331, 339, 336, 341, 345; 70/181-189,  
70/91, 14, 33, 34; 292/259 R, 86, 156, 119,  
292/288, 340

See application file for complete search history.

(56) **References Cited**

**U.S. PATENT DOCUMENTS**

3,556,575 A	1/1971	Farkas	292/307
4,049,303 A	9/1977	Irwin et al.	292/307 R
4,074,916 A	2/1978	Schindler	292/307 R
D284,737 S	* 7/1986	Clayton	D8/317
4,637,234 A	* 1/1987	Mielonen	70/34
4,711,106 A	* 12/1987	Johnson	70/34
4,732,019 A	* 3/1988	Tolar	70/203
D295,606 S	* 5/1988	Ault	D8/330
5,125,700 A	6/1992	Fattori et al.	292/318
D330,153 S	* 10/1992	Jakubas	D8/343
5,352,003 A	10/1994	Bystry	292/323
5,538,300 A	7/1996	Brown	292/307 R
5,582,447 A	12/1996	Leon et al.	292/307 R
5,611,583 A	3/1997	Bystry et al.	292/307 R
5,647,620 A	7/1997	Kuenzel	292/317
5,682,775 A	* 11/1997	Baber	70/34
5,799,375 A	9/1998	Fukami	24/16 PB
5,857,721 A	1/1999	Liroff	292/307 R
5,884,949 A	3/1999	Leon et al.	292/318
5,908,110 A	6/1999	Hirai	206/345
6,041,925 A	3/2000	Grendol	206/343

6,055,832 A	* 5/2000	Wyers	70/34
6,113,163 A	9/2000	Liroff	292/307 R
6,220,434 B1	4/2001	Kubota et al.	206/343
D444,050 S	* 6/2001	Wyers	D8/341
6,247,591 B1	6/2001	Grendol	206/343
D447,043 S	* 8/2001	Wyers	D8/339
6,293,599 B1	9/2001	Garcia	292/317
6,331,022 B1	12/2001	Liroff	292/307 R
6,352,156 B1	3/2002	Ueno	206/338
6,371,293 B2	4/2002	Kubota et al.	206/343
6,371,539 B1	4/2002	Olshausen	292/307 R
6,409,237 B1	6/2002	Olshausen	292/307 A
D461,392 S	* 8/2002	Zapushek	D8/331
6,446,311 B1	9/2002	Ueno	24/16 R
6,527,030 B2	3/2003	Ueno	156/581
6,561,350 B1	5/2003	Ueno	206/343
6,575,000 B1	* 6/2003	Li	70/34
6,578,886 B1	6/2003	Bystry et al.	292/307 R
6,595,360 B2	7/2003	Ueno et al.	206/343
2001/0004055 A1	6/2001	Kubota et al.	206/343
2003/0137154 A1	7/2003	Ueno et al.	292/321

\* cited by examiner

*Primary Examiner*—Prabhakar Deshmukh

(74) *Attorney, Agent, or Firm*—Van Dyke, Gardner, Linn & Burkhardt, LLP

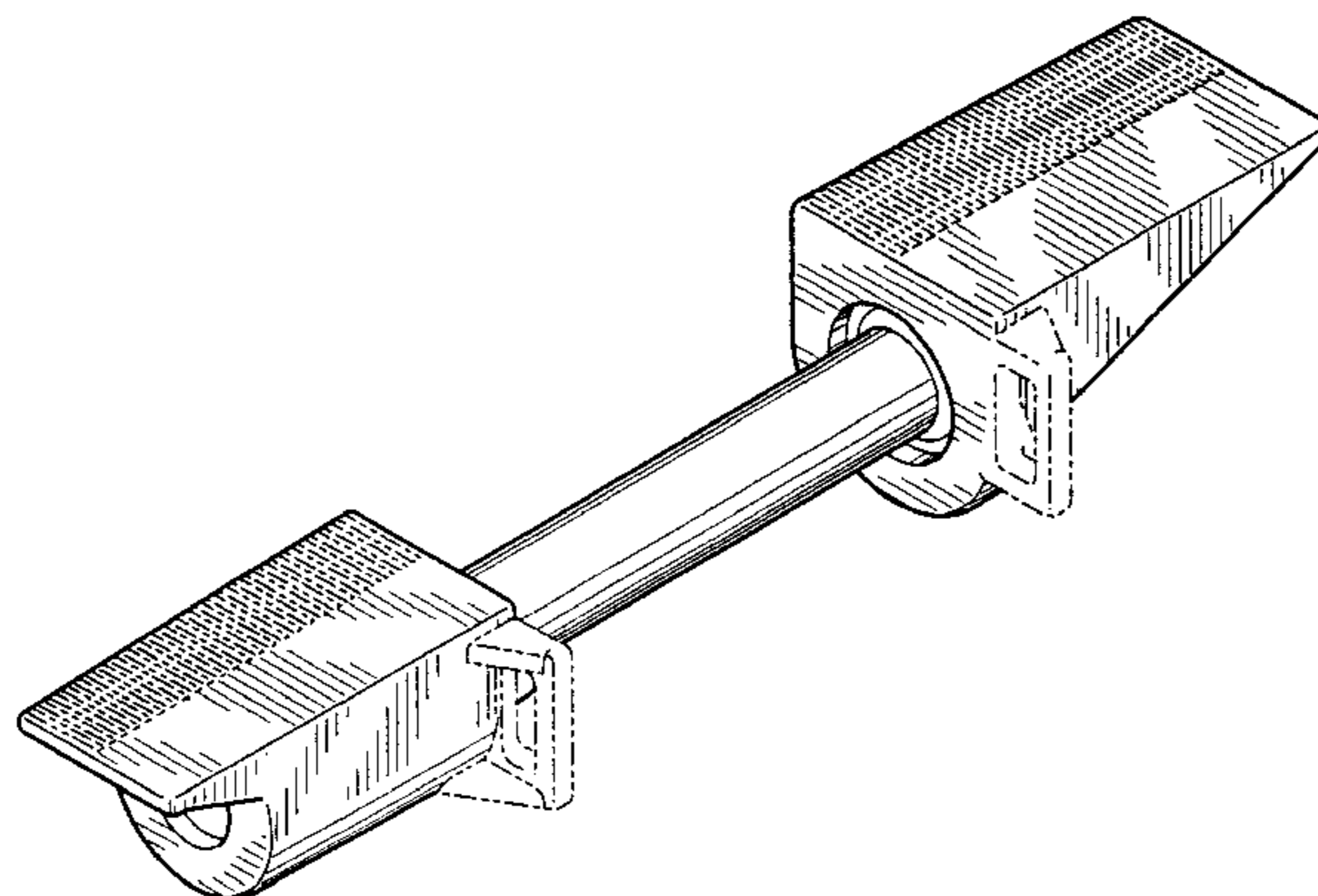
(57) **CLAIM**

The ornamental design for the locking device, as shown and described.

**DESCRIPTION**

FIG. 1 is an upper perspective view of a locking device in accordance with the present invention; FIG. 2 is a lower perspective view thereof; FIG. 3 is a side elevation thereof; FIG. 4 is an opposite side elevation view thereof; FIG. 5 is a top plan view thereof; FIG. 6 is a lower plan view thereof; FIG. 7 is an end elevation thereof; and, FIG. 8 is an opposite end elevation thereof. The broken lines showing the tabs in FIGS. 1-8 and the surface texture in FIGS. 1 and 5 are for illustrative purposes only and form no part of the claimed design.

**1 Claim, 2 Drawing Sheets**



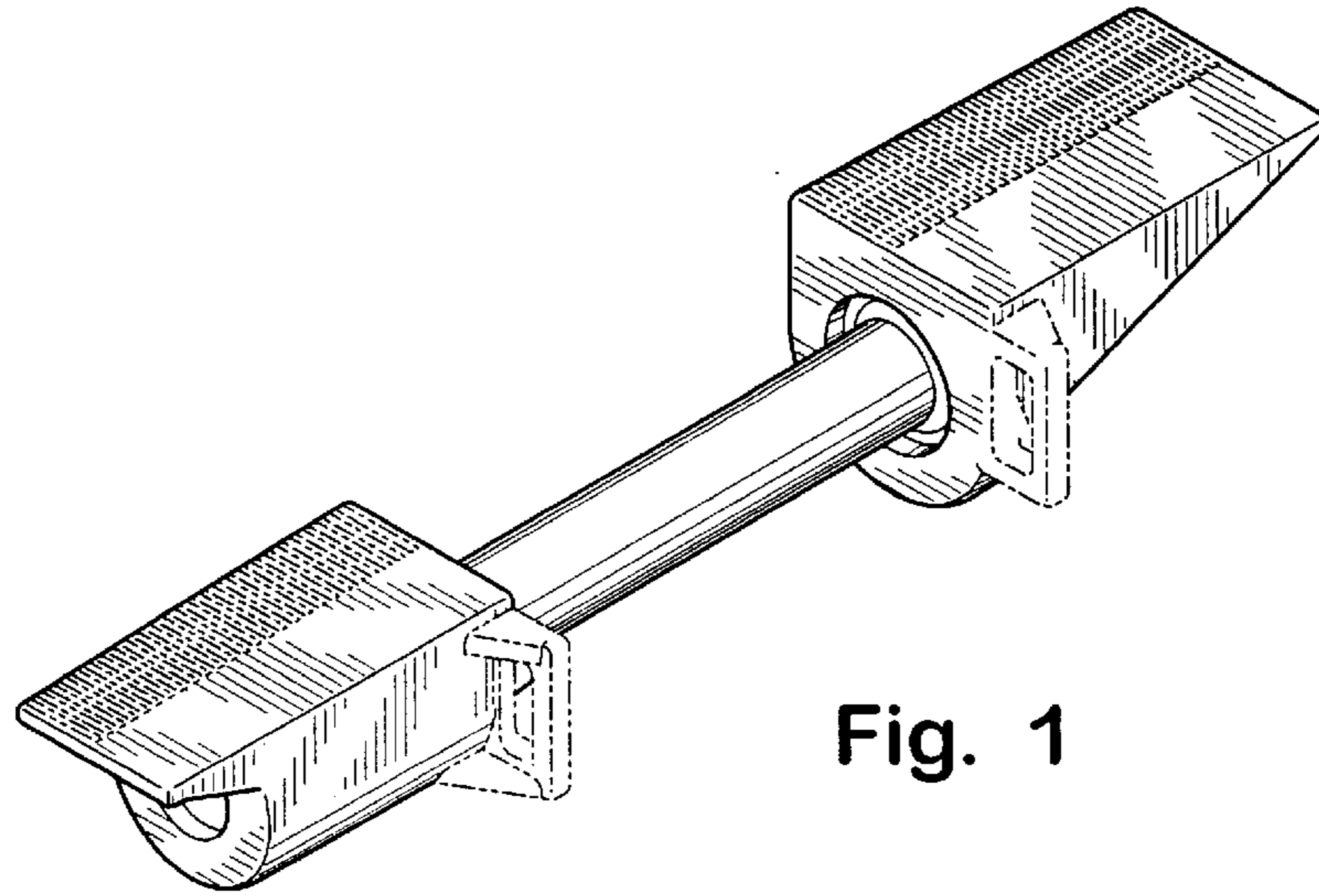


Fig. 1

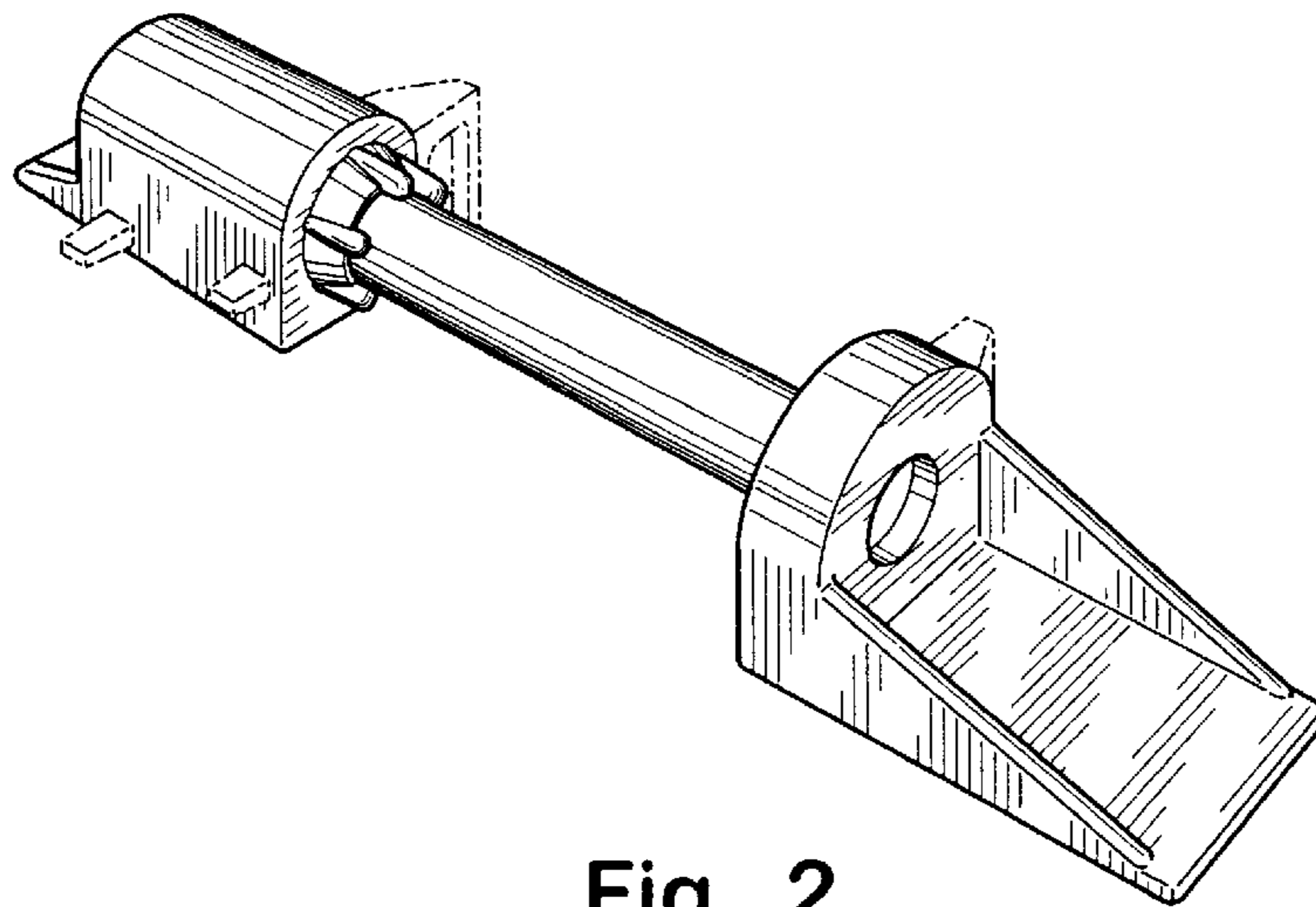


Fig. 2

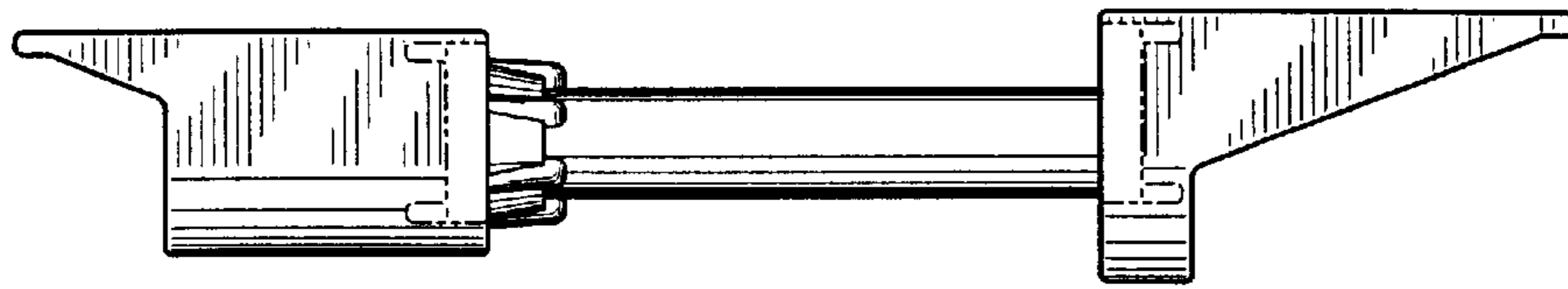


Fig. 3

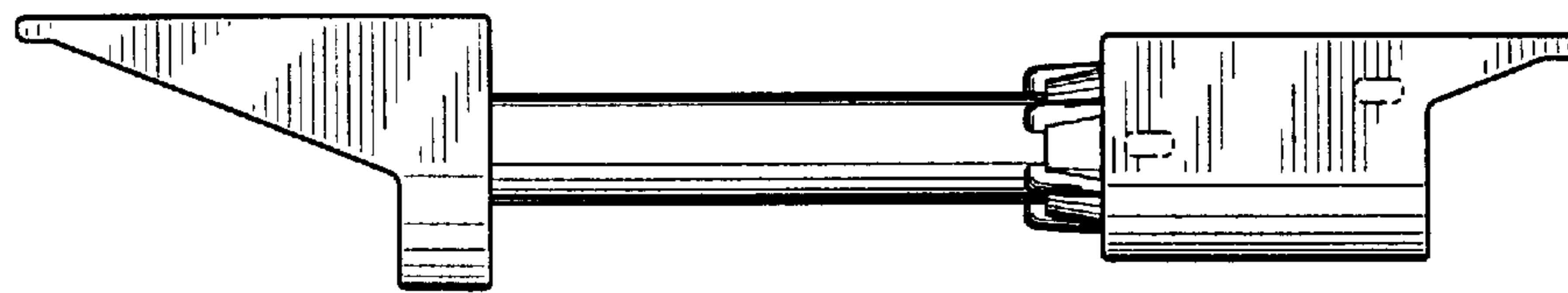


Fig. 4



Fig. 5



Fig. 6

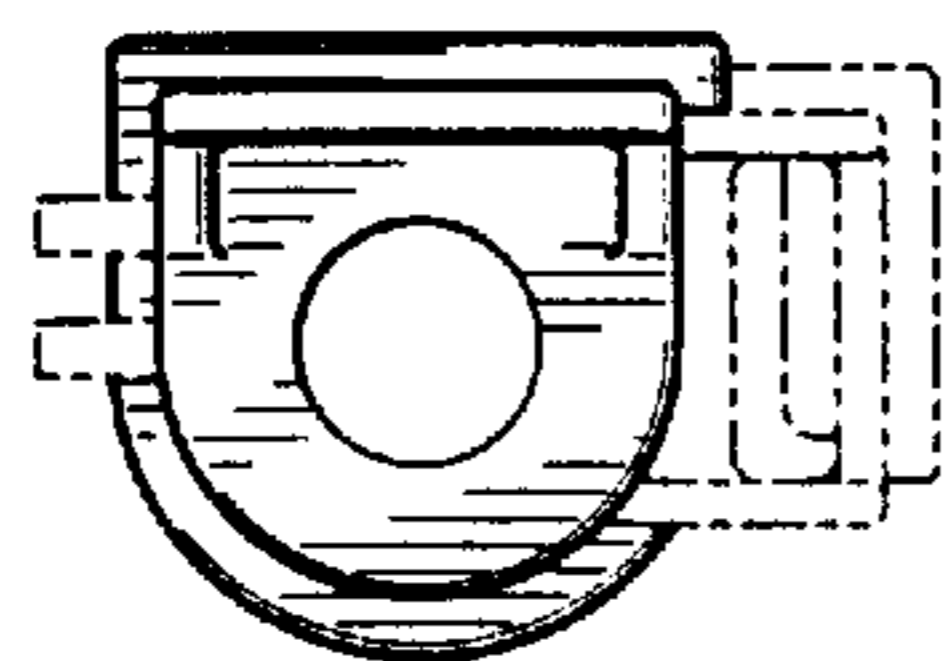


Fig. 7

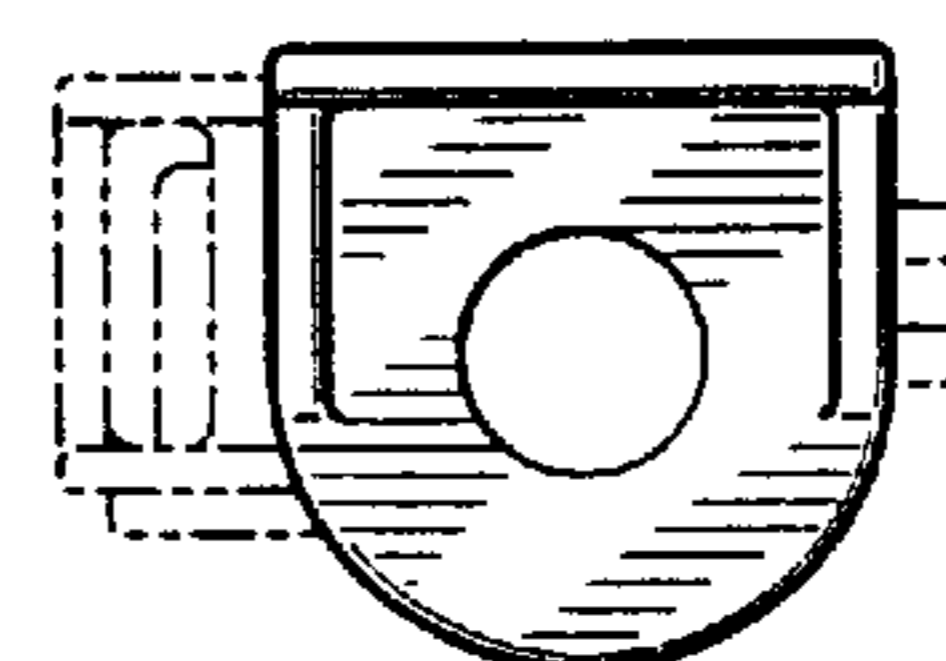


Fig. 8