



US00D514423S

(12) **United States Design Patent**
Timothy

(10) **Patent No.:** **US D514,423 S**
(45) **Date of Patent:** **** Feb. 7, 2006**

(54) **DOOR HANDLE**

(75) **Inventor:** **E. Erik Timothy**, Apollo Beach, FL
(US)

(73) **Assignee:** **Nationwide Industries**, Tampa, FL
(US)

(**) **Term:** **14 Years**

(21) **Appl. No.:** **29/224,050**

(22) **Filed:** **Feb. 25, 2005**

(51) **LOC (8) Cl.** **08-06**

(52) **U.S. Cl.** **D8/300**

(58) **Field of Classification Search** D8/300,
D8/305, 307, 312, 314-319, 320, 350, 499,
D8/DIG. 1; 292/336.3

See application file for complete search history.

(56) **References Cited**

U.S. PATENT DOCUMENTS

D320,334 S	*	10/1991	Clancy	D8/301
D340,398 S	*	10/1993	Clancy	D8/302
D384,568 S	*	10/1997	Mantarakis et al.	D8/301
D397,604 S	*	9/1998	Libby et al.	D8/301
D431,994 S	*	10/2000	Libby et al.	D8/301
D433,916 S	*	11/2000	Frey	D8/302
D452,130 S	*	12/2001	Richardson	D8/319
D466,787 S	*	12/2002	Clancy	D8/301

D467,784 S	*	12/2002	Maier	D8/301
D470,389 S	*	2/2003	Richardson	D8/319
D501,392 S	*	2/2005	Roberts et al.	D8/315

* cited by examiner

Primary Examiner—Stella Reid

Assistant Examiner—Jean E. McCormick

(74) *Attorney, Agent, or Firm*—Stites & Harbison PLLC;
William E. Jackson

(57) **CLAIM**

The ornamental design for a door handle, as shown and described.

DESCRIPTION

FIG. 1 is front view of a door handle according to the present invention.

FIG. 2 is a top view of the door handle depicted in FIG. 1, the bottom view being a mirror image thereof.

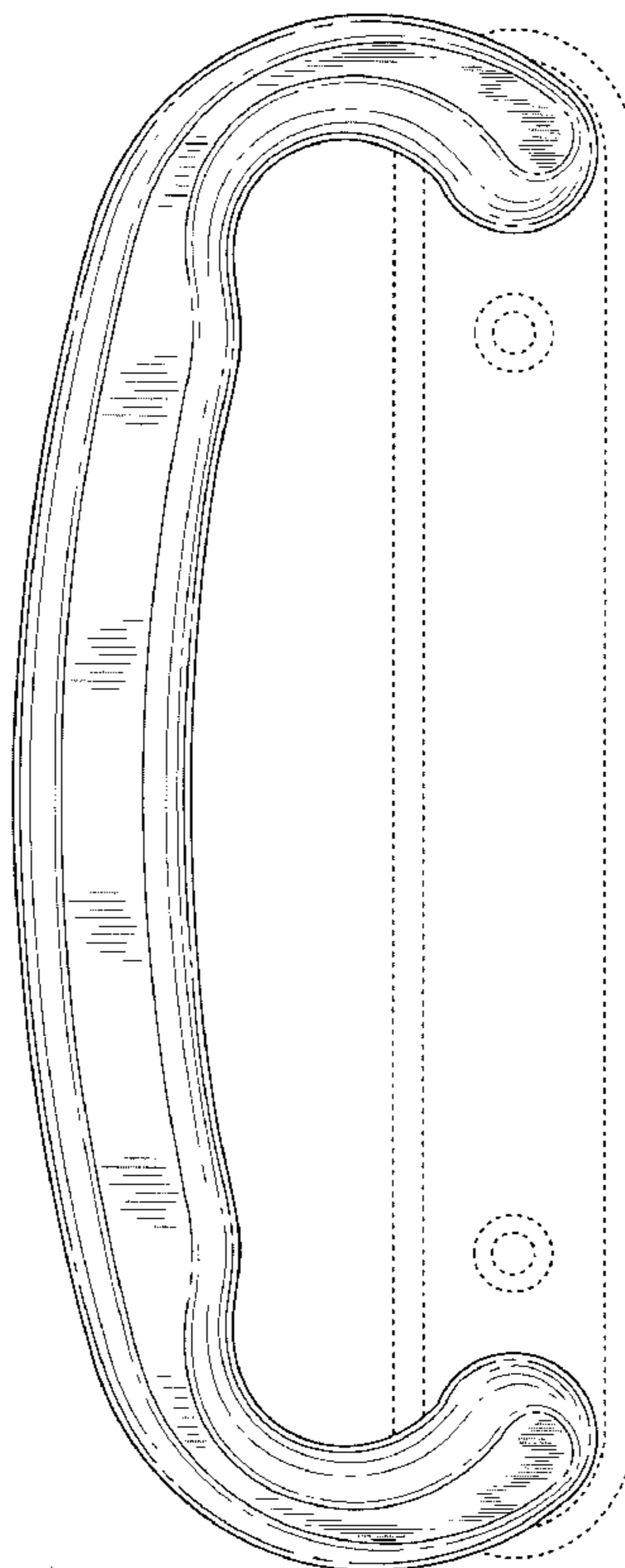
FIG. 3 is a right side view of the door handle depicted in FIG. 1.

FIG. 4 is a left side view of the door handle depicted in FIG. 1; and,

FIG. 5 is a perspective front, bottom and right side view of the door handle depicted in FIG. 1.

The broken line showing of the escutcheon plate is for illustrative purposes only and forms no part of the claimed design.

1 Claim, 4 Drawing Sheets



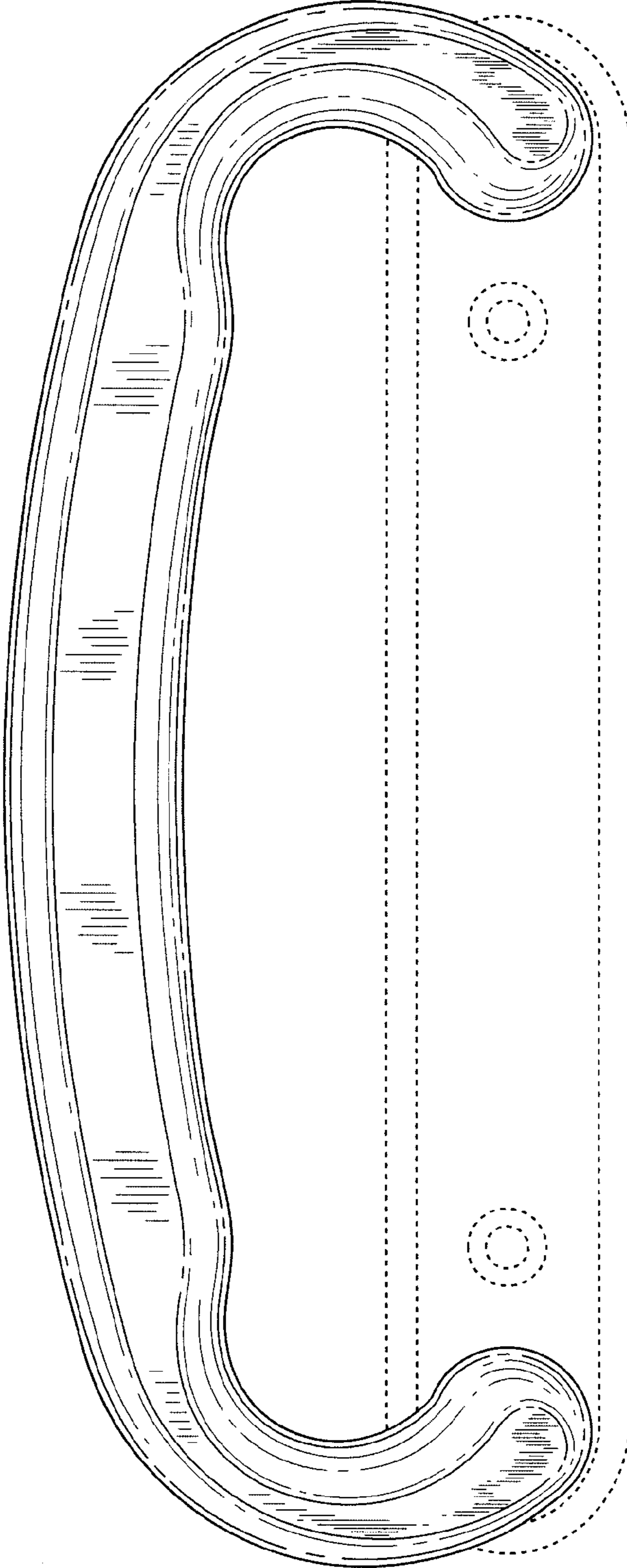


FIG. 1

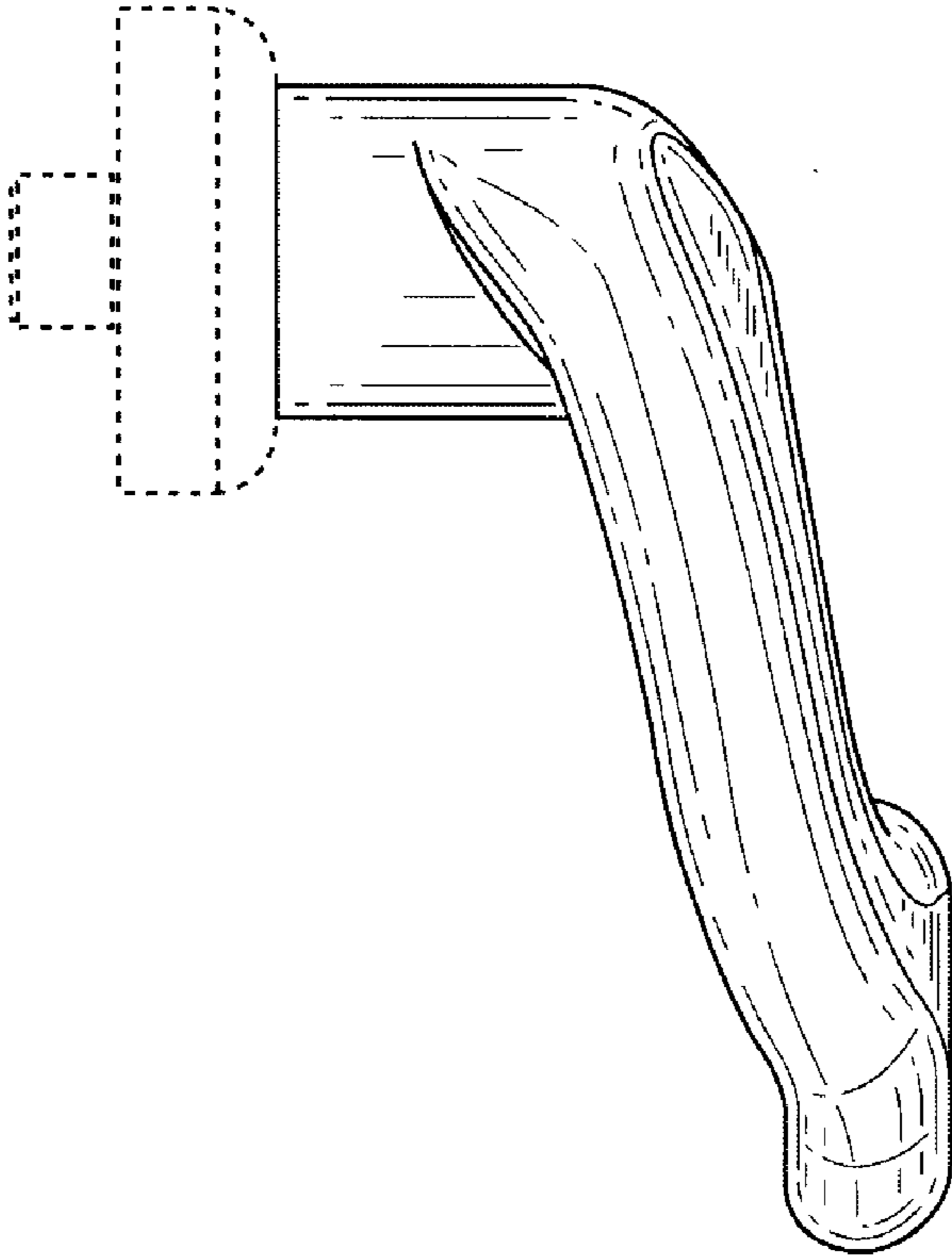


FIG. 2

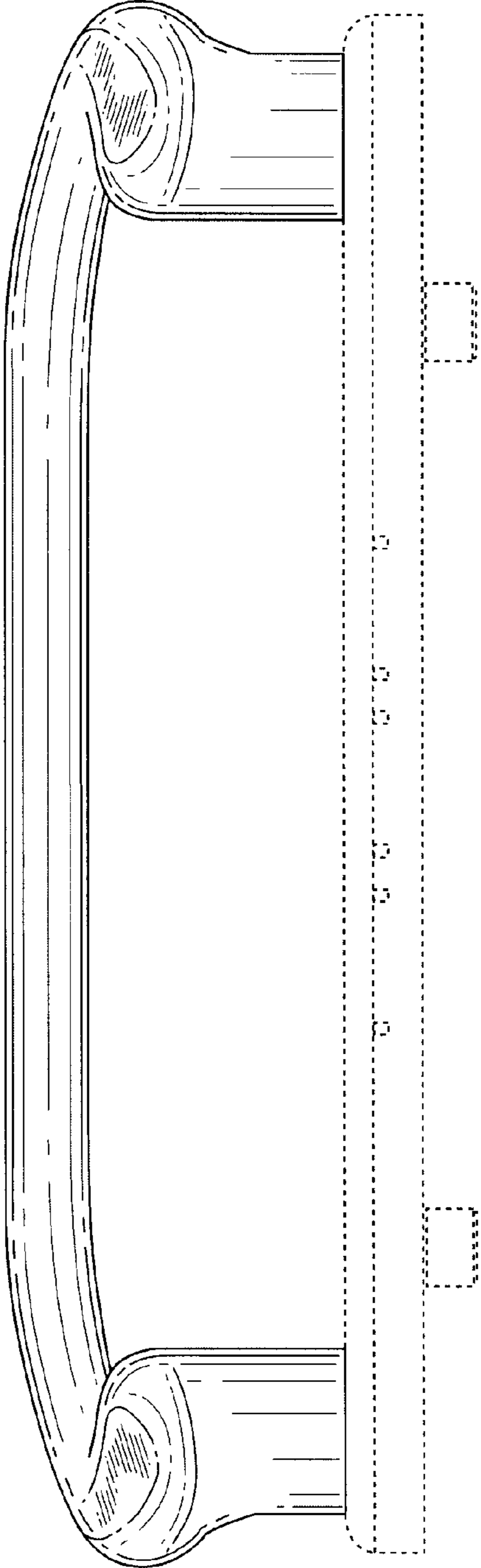


FIG. 3

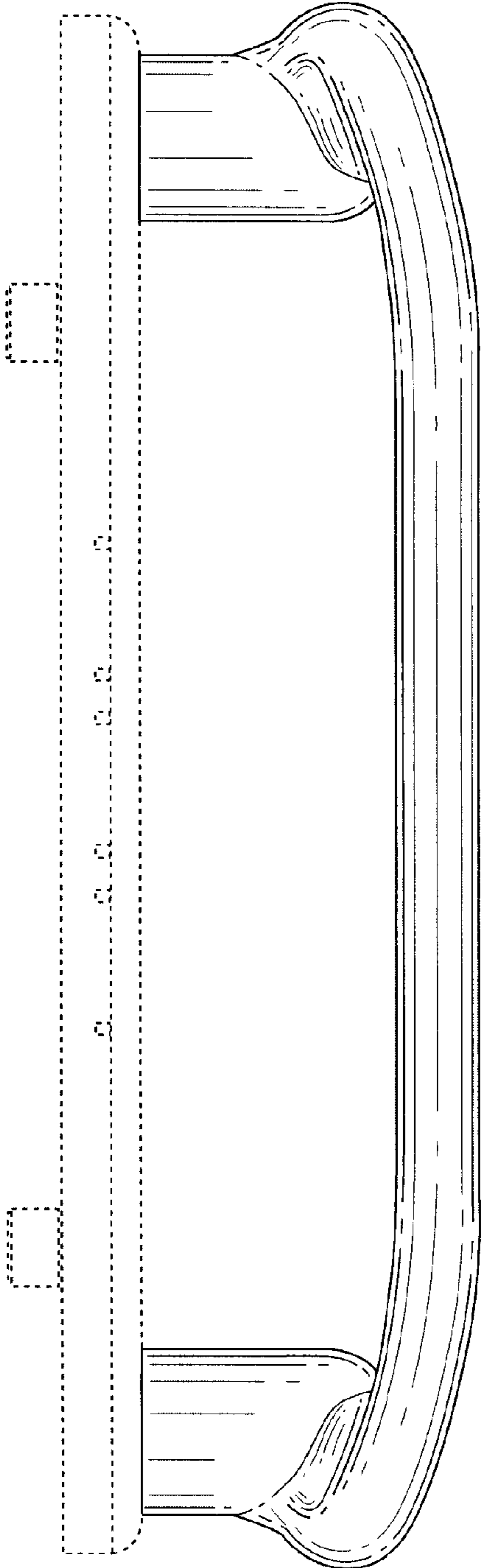


FIG. 4

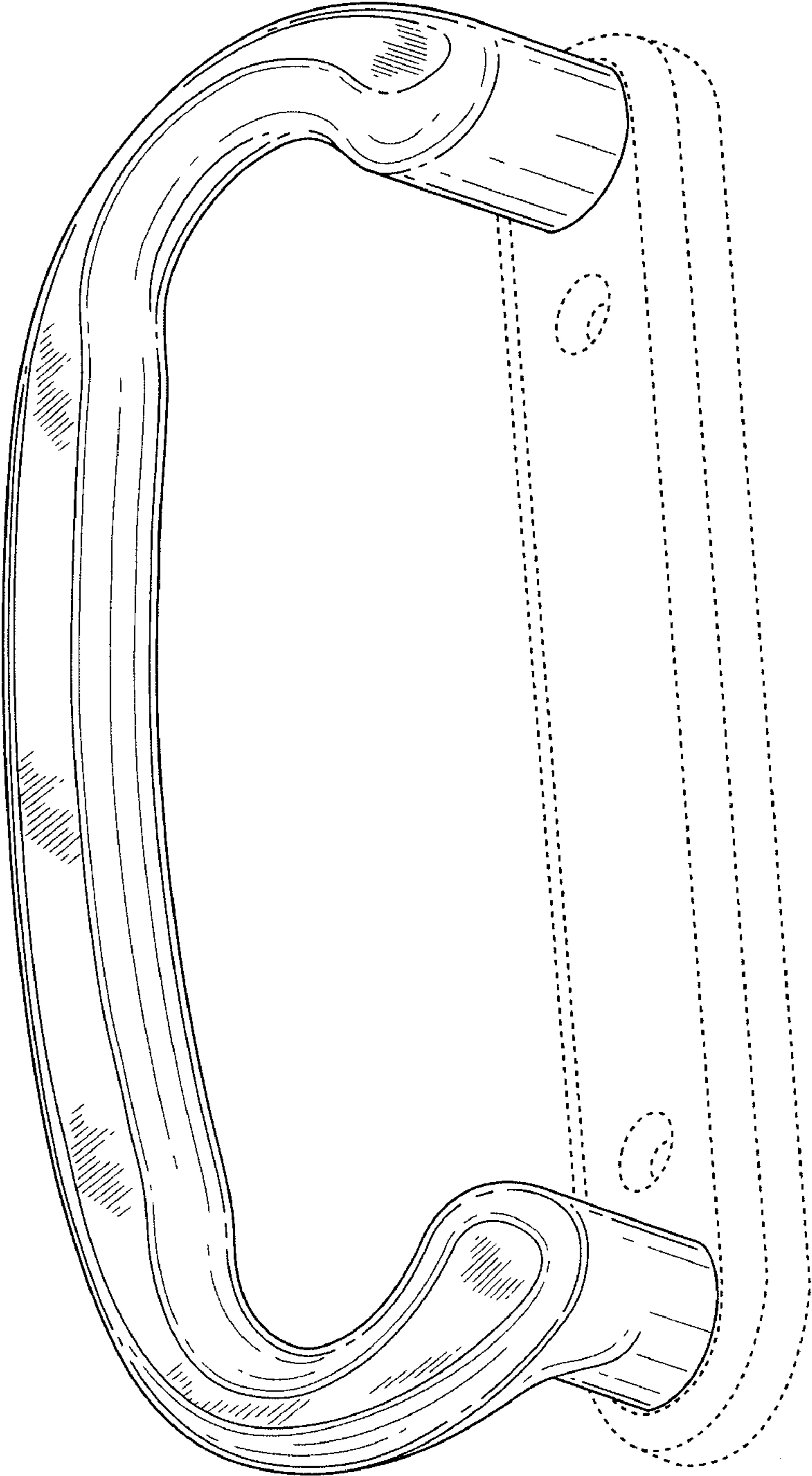


FIG. 5