



US00D514412S

(12) **United States Design Patent** (10) **Patent No.:** **US D514,412 S**
Lawrence et al. (45) **Date of Patent:** **** Feb. 7, 2006**

(54) NAILER	5,180,091 A	1/1993	Ota
	D334,329 S	* 3/1993	Ogawa et al. D8/68
(75) Inventors: Bobby Lynn Lawrence , Lawrenceburg, IN (US); Daniel John Harty , Mason, OH (US); Bryan Thomas Humpert , Cincinnati, OH (US); Gregory Allen Kramer , Cincinnati, OH (US)	5,197,646 A	3/1993	Nikolich
	5,219,110 A	6/1993	Mukoyama
	D338,818 S	* 8/1993	Katsuba D8/62
	5,238,168 A	8/1993	Oda
	5,261,587 A	11/1993	Robinson
	5,263,626 A	11/1993	Howard et al.
	5,297,713 A	3/1994	Perra et al.
(73) Assignee: Campbell Hausfeld/Scott Fetzer Company , Harrison, OH (US)	5,350,103 A	9/1994	Monacelli
	5,368,213 A	11/1994	Massari, Jr.
	5,385,286 A	1/1995	Johnson, Jr.
(**) Term: 14 Years	5,564,614 A	* 10/1996	Yang 227/8

(21) Appl. No.: **29/195,586**

(22) Filed: **Dec. 15, 2003**

(51) **LOC (8) Cl.** **08-05**

(52) **U.S. Cl.** **D8/68**

(58) **Field of Classification Search** D8/14.1, D8/61, 62, 63, 64, 65, 66, 67, 68, 69, 70; 81/57.11, 429, 464, 465, 466, 469, 489; 173/13, 173/169, 178, 213, 217; 227/8, 114, 120, 227/130, 136, 142; 310/50; 408/20, 124, 408/125, 234, 241 R; 451/358

See application file for complete search history.

(56) **References Cited**

U.S. PATENT DOCUMENTS

3,934,778 A	1/1976	Males
3,957,192 A	5/1976	Fehrs
4,436,236 A	3/1984	Jobe
4,467,952 A	8/1984	Morrell, Jr.
4,508,221 A	4/1985	Olson
4,549,681 A	10/1985	Yamamoto et al.
4,597,518 A	7/1986	Paul
4,600,135 A	7/1986	Mukoyama
4,610,381 A	9/1986	Kramer et al.
4,641,772 A	2/1987	Skuthan
4,688,710 A	8/1987	Massari, Jr. et al.
4,767,043 A	8/1988	Canlas, Jr.
4,797,040 A	1/1989	Hibbard
5,056,661 A	10/1991	Balzano
5,083,694 A	1/1992	Lemos
5,131,579 A	7/1992	Okushima et al.
5,163,596 A	11/1992	Ravoo et al.

(Continued)

OTHER PUBLICATIONS

Product specification pages from Porter Cable web site. Retrieved from internet: <http://www.portercable.com> (16 pages), Nov. 8, 2004.

Product specifications from Sears web site. Retrieved from internet: <http://www.sears.com> (6 pages), Nov. 8, 2004.

Product specification of "AF632 Finish Nailer" from Makita web site. Retrieved from <http://www.makita.com> (4 pages), Nov. 8, 2004.

Primary Examiner—Gary D. Watson

Assistant Examiner—T. Chase Nelson

(74) *Attorney, Agent, or Firm*—Jones Day

(57) **CLAIM**

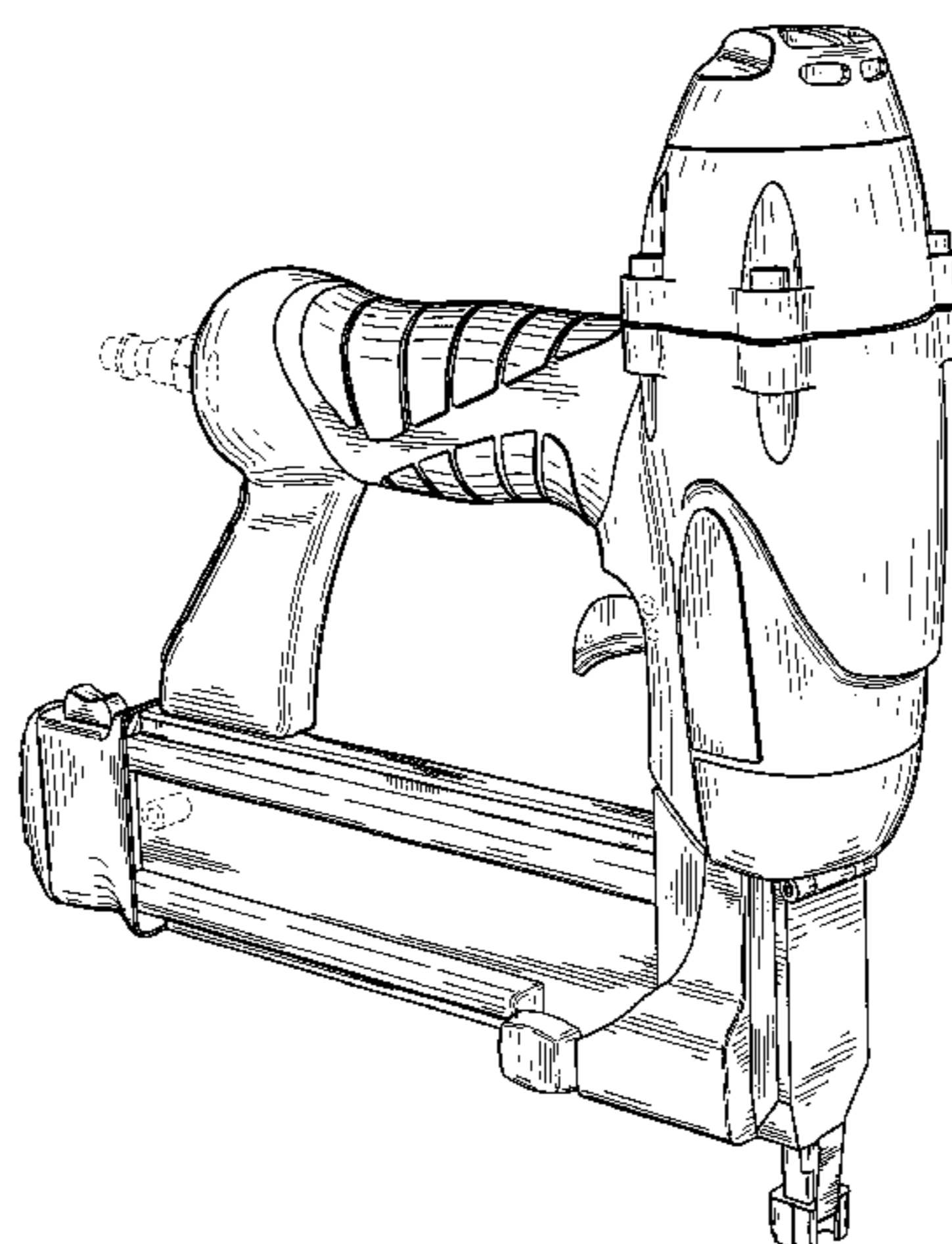
The ornamental design for a nailer, as shown and described.

DESCRIPTION

FIG. 1 is a perspective view of the nailer of our new design; FIG. 2 is a right side view thereof; FIG. 3 is a left side view thereof; FIG. 4 is a top view thereof; FIG. 5 is a front view thereof; FIG. 6 is a rear view thereof; and, FIG. 7 is a bottom view thereof.

The broken line showings of FIGS. 1–7 are for illustration purposes only and form no part of the claimed design.

1 Claim, 5 Drawing Sheets



US D514,412 S

Page 2

U.S. PATENT DOCUMENTS

5,593,079 A	1/1997	Mukoyama et al.	6,318,618 B1	11/2001	Jen
5,642,849 A	7/1997	Chen	6,325,268 B1	12/2001	Liang
5,662,257 A	9/1997	Mukoyama et al.	6,325,577 B1	12/2001	Anderson
5,667,127 A	9/1997	Ichikawa et al.	6,371,348 B1	4/2002	Canlas et al.
5,685,473 A	11/1997	Shkolnikov et al.	6,409,068 B1	6/2002	Lee
5,715,982 A	2/1998	Adachi	6,422,447 B1	7/2002	White et al.
5,743,455 A	4/1998	Holliday	6,431,425 B1	8/2002	Moorman et al.
5,752,643 A	5/1998	MacVicar et al.	6,431,429 B1	8/2002	Canlas et al.
D396,178 S *	7/1998	Hattori D8/68	D462,884 S *	9/2002	Oh D8/69
5,785,227 A	7/1998	Akiba	D475,597 S *	6/2003	Arai D8/68
5,839,638 A	11/1998	Ronn	6,578,750 B2	6/2003	Kubo et al.
5,842,584 A	12/1998	Baird	D477,762 S *	7/2003	Bor D8/69
5,927,585 A	7/1999	Moorman et al.	6,592,014 B2	7/2003	Smolinski
5,947,362 A	9/1999	Omli	6,598,776 B2	7/2003	Adachi et al.
D416,182 S *	11/1999	Kaiser et al. D8/69	6,609,646 B2	8/2003	Miller et al.
6,012,622 A	1/2000	Weinger et al.	D479,110 S *	9/2003	Nolan et al. D8/69
6,024,267 A	2/2000	Chen	6,641,011 B1	11/2003	Kahn
6,036,072 A *	3/2000	Lee 227/120	6,655,560 B2	12/2003	Kahn
6,056,182 A	5/2000	Chen	2001/0006183 A1	7/2001	Mukoyama et al.
6,076,722 A	6/2000	Huang	2002/0030079 A1	3/2002	Adachi et al.
6,145,725 A	11/2000	Omli	2002/0104866 A1	8/2002	Miller et al.
6,145,727 A	11/2000	Mukoyama et al.	2002/0104888 A1	8/2002	Miller et al.
6,170,729 B1	1/2001	Lin	2002/0158103 A1	10/2002	Driscoll et al.
6,179,192 B1	1/2001	Weinger et al.	2002/0185515 A1	12/2002	Kubo et al.
6,186,386 B1	2/2001	Canlas et al.	2003/0000990 A1	1/2003	White et al.
6,189,759 B1 *	2/2001	Canlas et al. 227/120	2003/0019903 A1	1/2003	Lin
6,209,770 B1	4/2001	Perra	2003/0024981 A1	2/2003	Driscoll et al.
6,290,115 B1	9/2001	Chen	2003/0062394 A1	4/2003	Wang
6,315,179 B1	11/2001	Hillis	2003/0080172 A1	5/2003	Hirai
6,318,617 B1	11/2001	Cheng	2003/0116604 A1	6/2003	Driscoll et al.

* cited by examiner

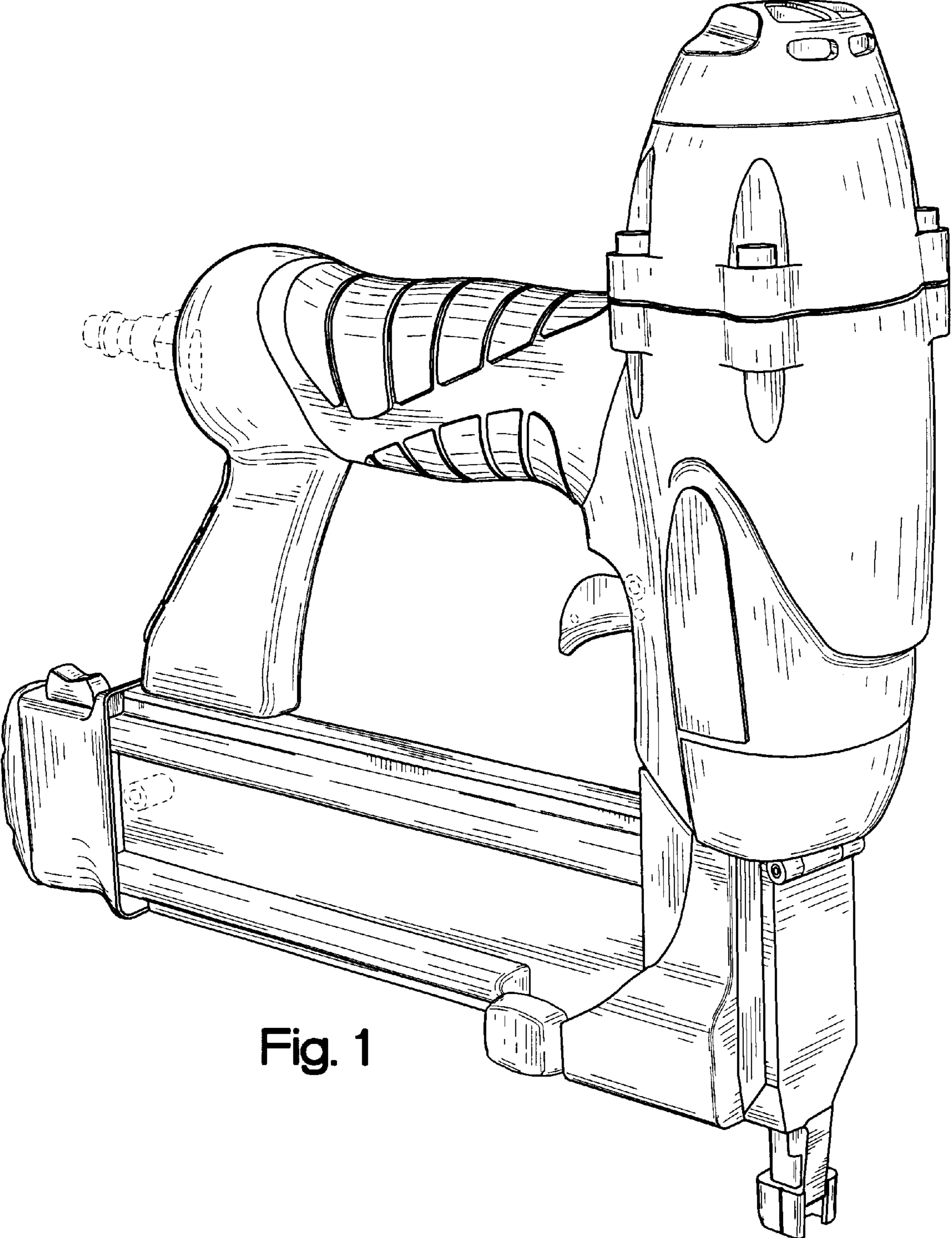


Fig. 1

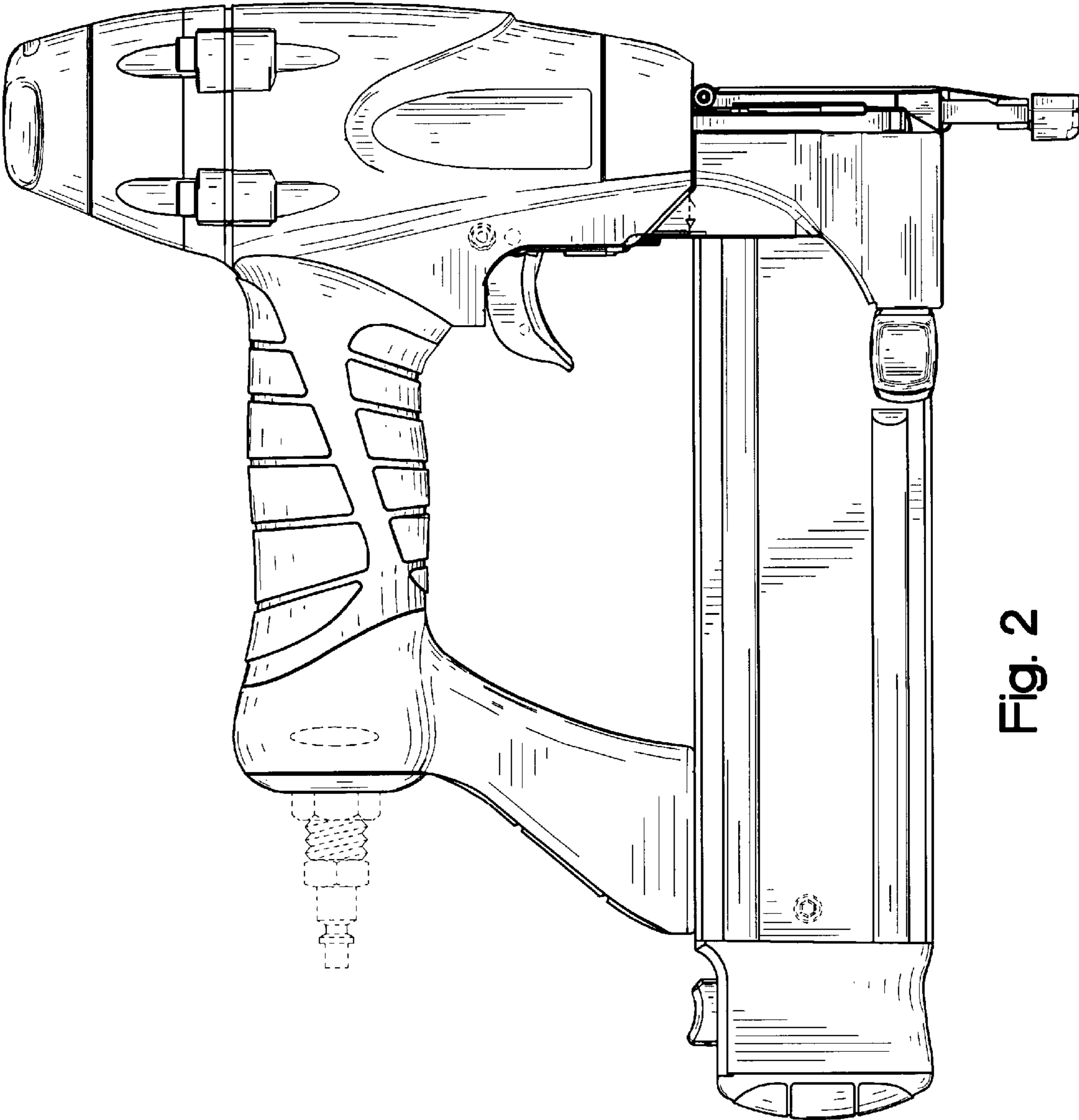


Fig. 2

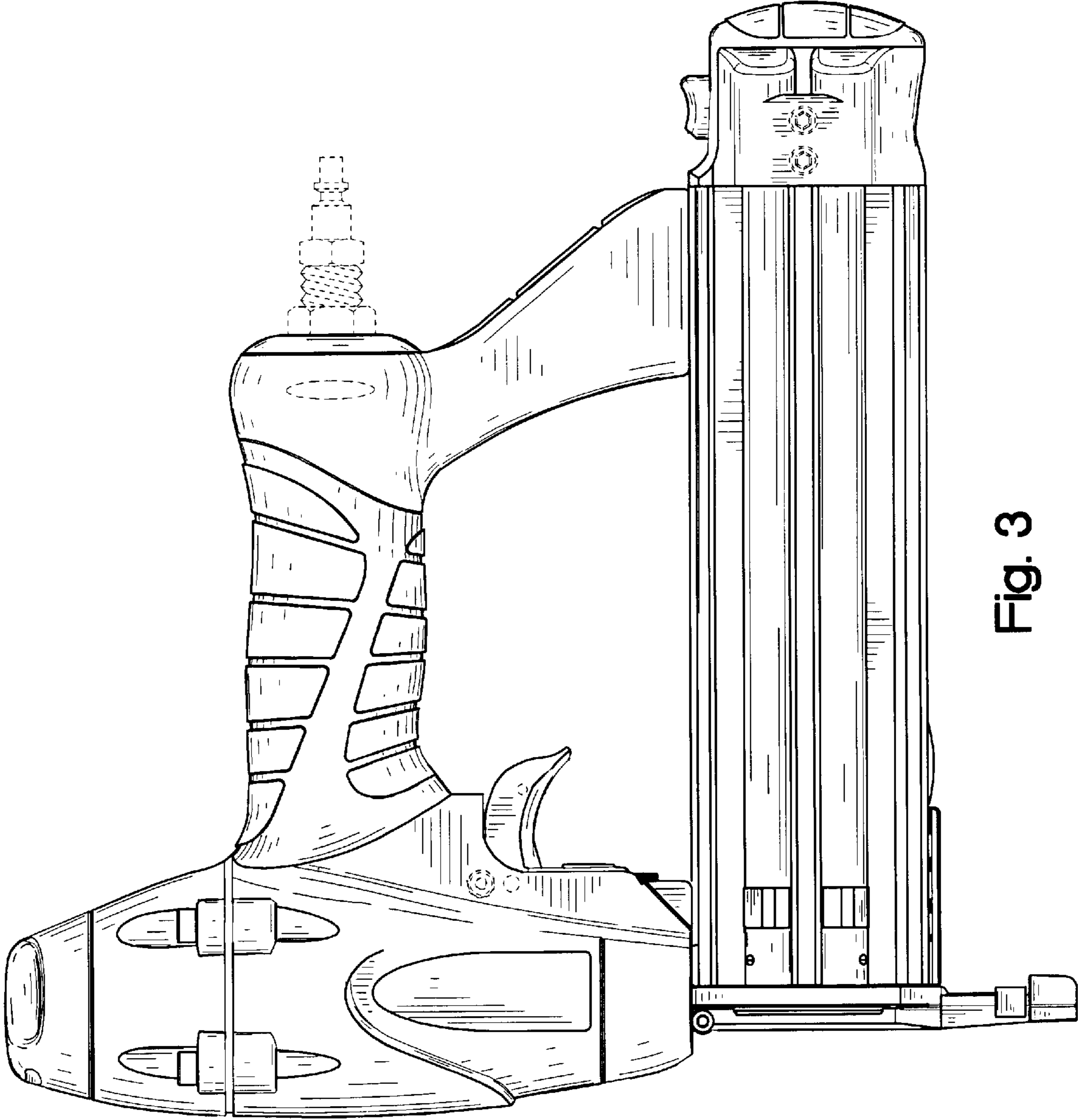


Fig. 3

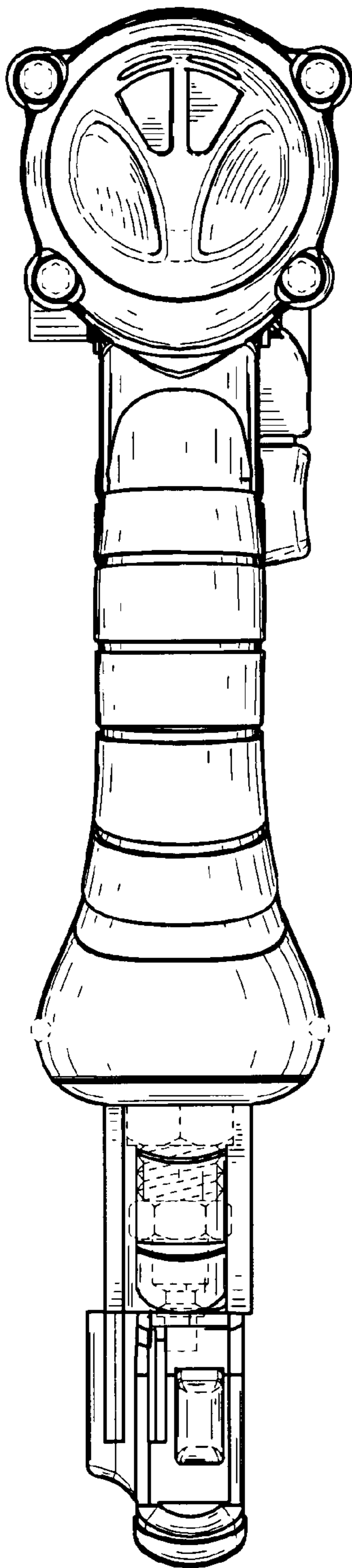


Fig. 4

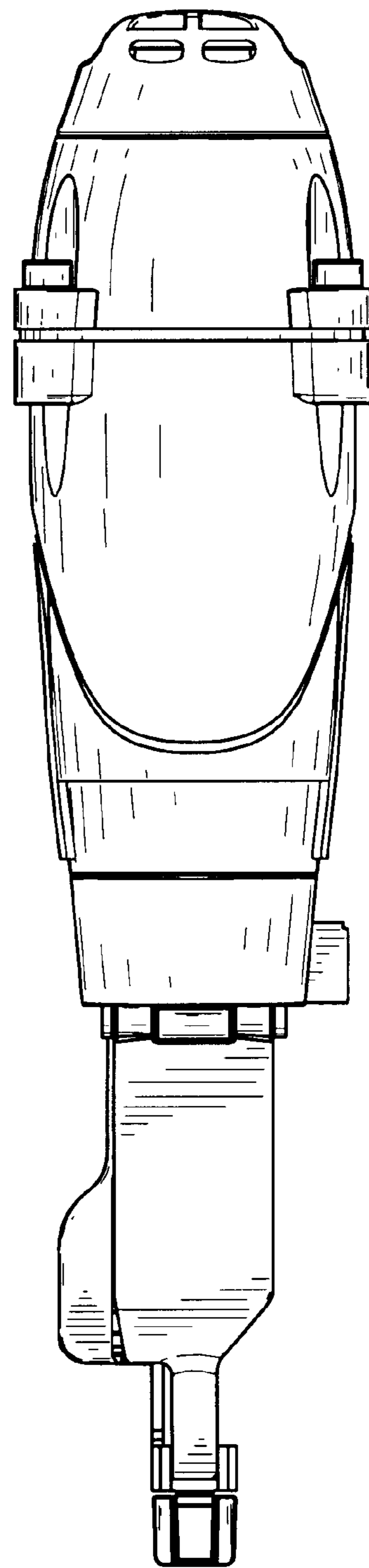


Fig. 5

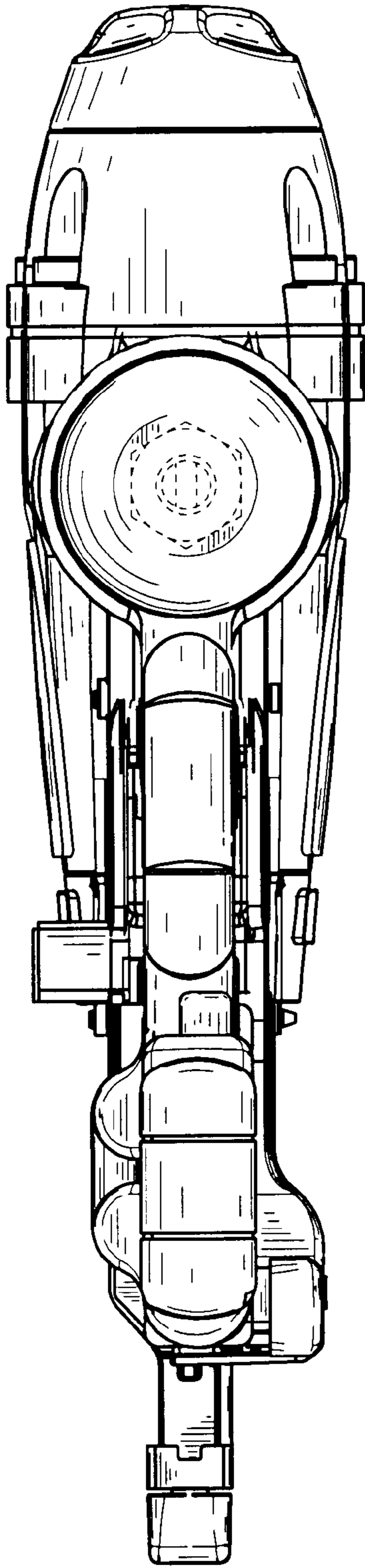


Fig. 6

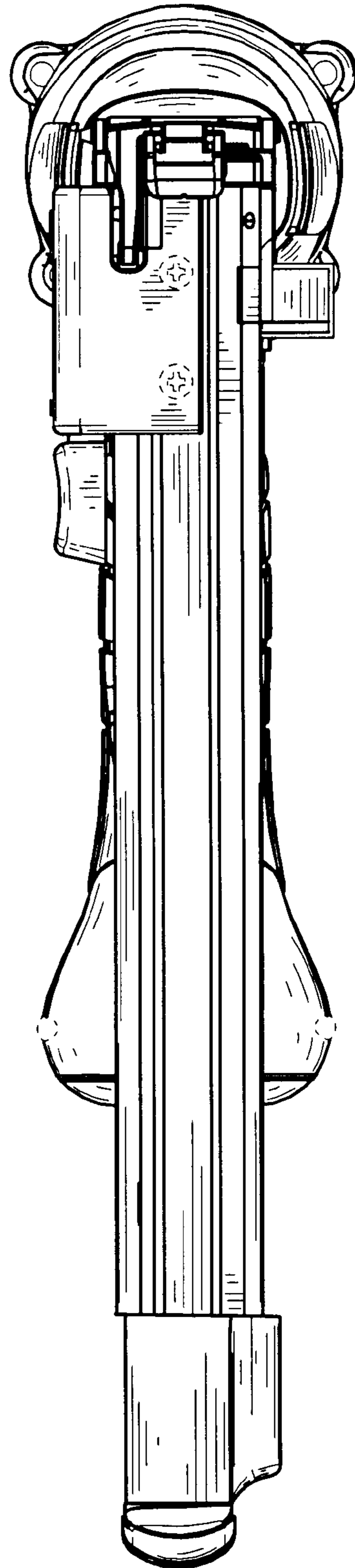


Fig. 7