



US00D514411S

(12) **United States Design Patent**
Yuen et al.

(10) **Patent No.:** **US D514,411 S**
(45) **Date of Patent:** **** Feb. 7, 2006**

- (54) **CIRCULAR SAW**
- (75) Inventors: **Alvin Yeuk Au Yuen**, Hong Kong (HK); **Shea Tillman**, Anderson, SC (US); **Taku Ohi**, Greer, SC (US); **Kenneth M. Brazell**, Piedmont, SC (US)
- (73) Assignee: **One World Technologies, Limited**, Hamilton (BM)
- (**) Term: **14 Years**
- (21) Appl. No.: **29/188,068**
- (22) Filed: **Aug. 12, 2003**
- (51) **LOC (8) Cl.** **08-03**
- (52) **U.S. Cl.** **D8/66**
- (58) **Field of Classification Search** D8/61, D8/64, 66, 67, 68, 69; 30/373, 374, 375, 30/376, 377, 388, 390, 391, 392, 393, 394
See application file for complete search history.

- D416,181 S 11/1999 Chung
- D418,032 S 12/1999 Watson et al.
- D421,702 S 3/2000 Sakai et al.
- D427,872 S 7/2000 Snider
- D428,318 S 7/2000 Gallagher et al.
- D428,319 S 7/2000 Gallagher
- D433,300 S 11/2000 Buck
- 6,161,293 A 12/2000 Watson
- 6,202,311 B1 * 3/2001 Nickels, Jr.
- D445,013 S 7/2001 Etter et al.
- D449,503 S 10/2001 Tsuzuki et al.
- 6,308,424 B1 10/2001 Stielper
- D453,099 S * 1/2002 Welsh
- D466,385 S * 12/2002 Shigo et al.
- D474,952 S * 5/2003 Andriolo
- D475,266 S * 6/2003 Sakai et al.
- D486,369 S * 2/2004 Keller
- D492,564 S * 7/2004 Zemlok et al.
- 2003/0131484 A1 * 7/2003 Yoshida et al. 30/376

* cited by examiner

Primary Examiner—Jeffrey Asch
Assistant Examiner—Elizabeth Albert
(74) *Attorney, Agent, or Firm*—Brinks, Hofer, Gilson & Lione

(56) **References Cited**
U.S. PATENT DOCUMENTS

- D262,772 S 1/1982 Glass et al.
- D281,663 S * 12/1985 Tsuru et al.
- 4,555,849 A 12/1985 Ando et al.
- D313,155 S * 12/1990 Somers
- 5,010,651 A 4/1991 Techter et al.
- 5,023,999 A 6/1991 Looper et al.
- D326,399 S * 5/1992 Fushiya et al.
- D327,828 S 7/1992 Hoshino et al.
- D329,363 S 9/1992 Sasaki et al.
- D334,523 S 4/1993 Hoshino et al.
- 5,433,008 A * 7/1995 Barger, Jr. et al.
- D363,656 S 10/1995 Gierke
- D378,488 S 3/1997 Ito et al.
- 5,782,001 A * 7/1998 Gray
- D411,425 S 6/1999 Sugimoto et al.
- 5,934,143 A * 8/1999 Dibbern, Jr. et al.

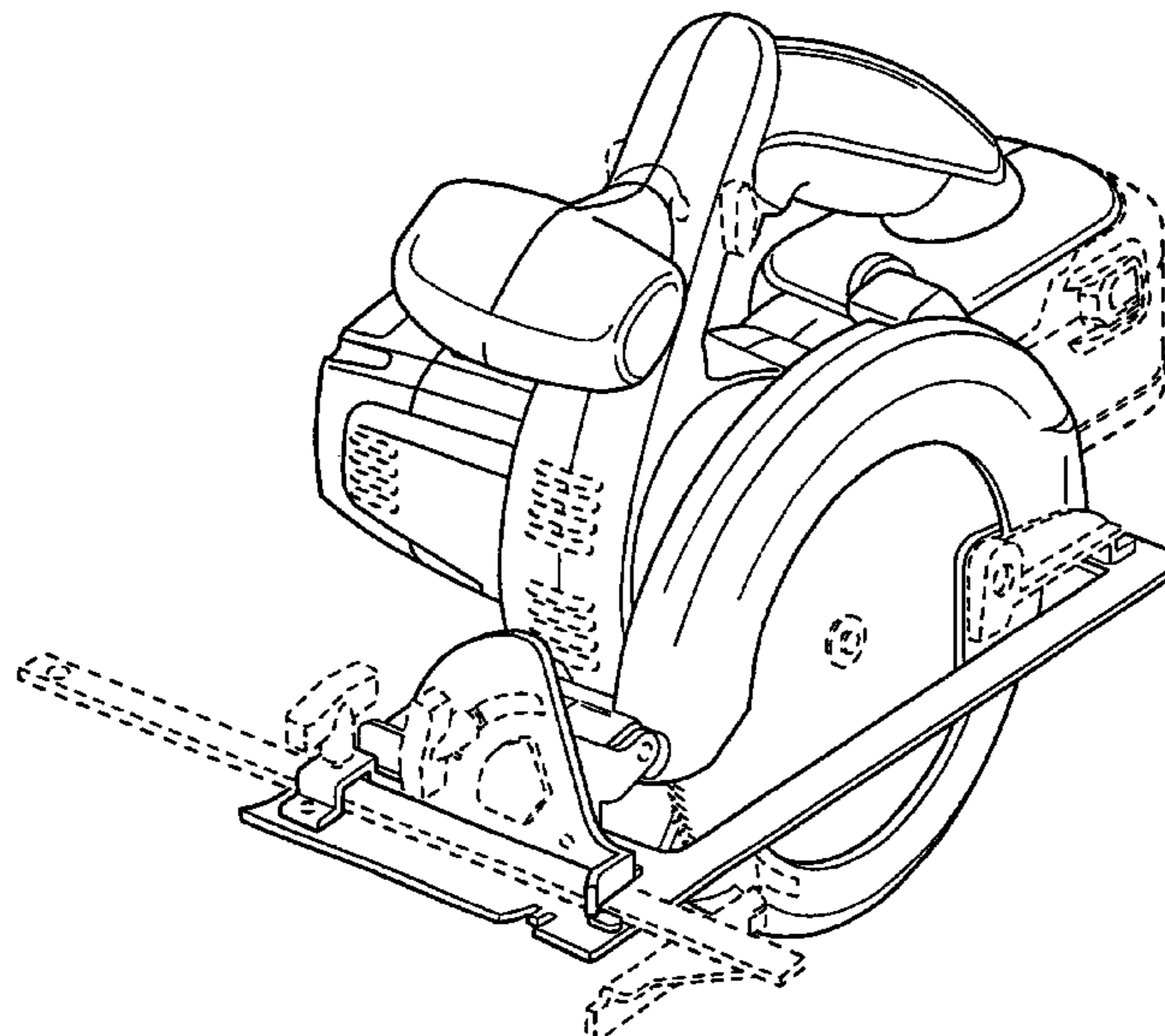
(57) **CLAIM**

The ornamental design for a circular saw, as shown.

DESCRIPTION

FIG. 1 is a perspective view of the circular saw showing our new design;
FIG. 2 is a front elevational view thereof;
FIG. 3 is a rear elevational view thereof;
FIG. 4 is a left side elevational view thereof;
FIG. 5 is a right side elevational view thereof;
FIG. 6 is a top plan view thereof; and,
FIG. 7 is a bottom plan view thereof.
The broken lines are for illustrative purposes only and form no part of the claimed design.

1 Claim, 7 Drawing Sheets



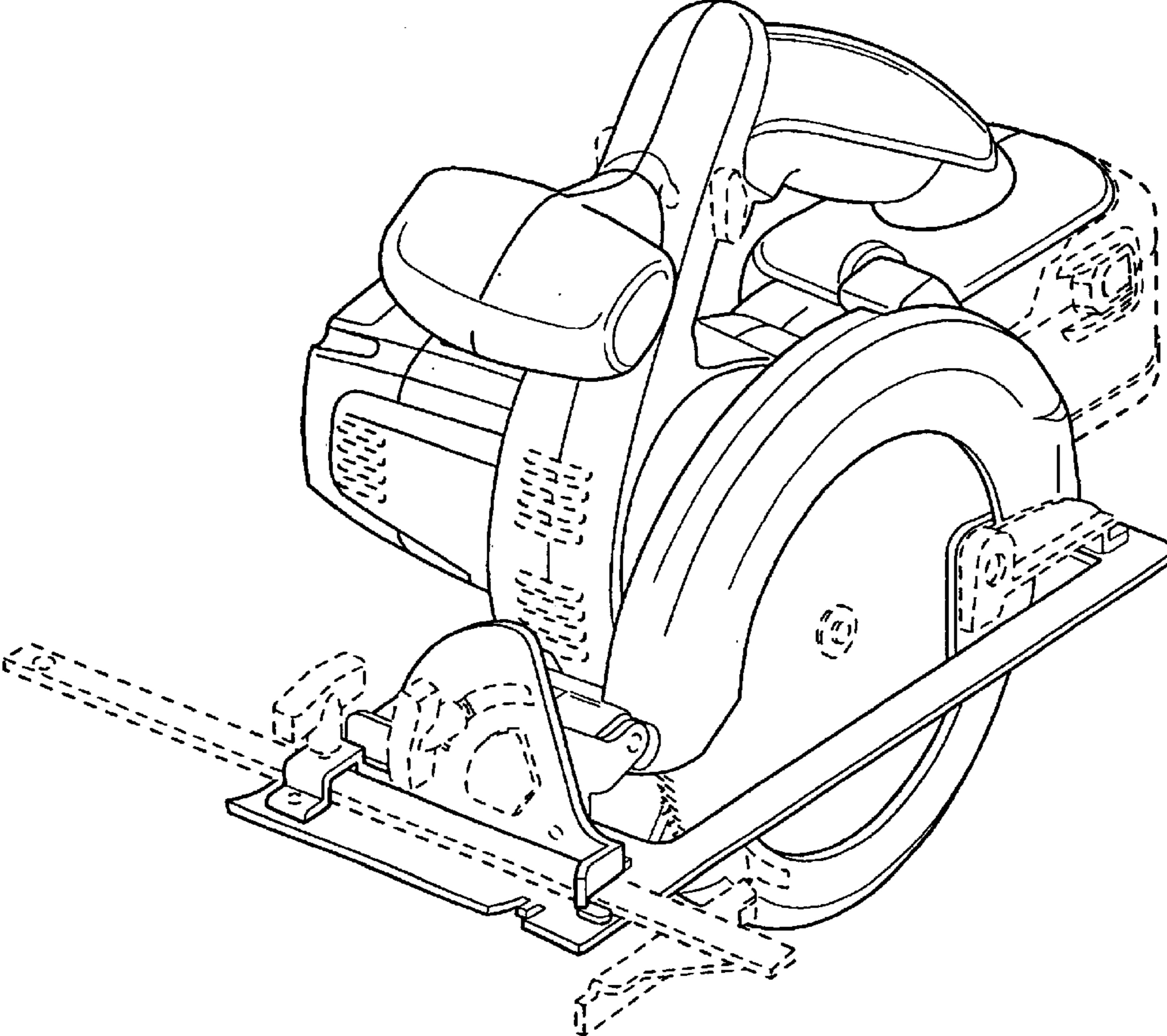


FIG. 1

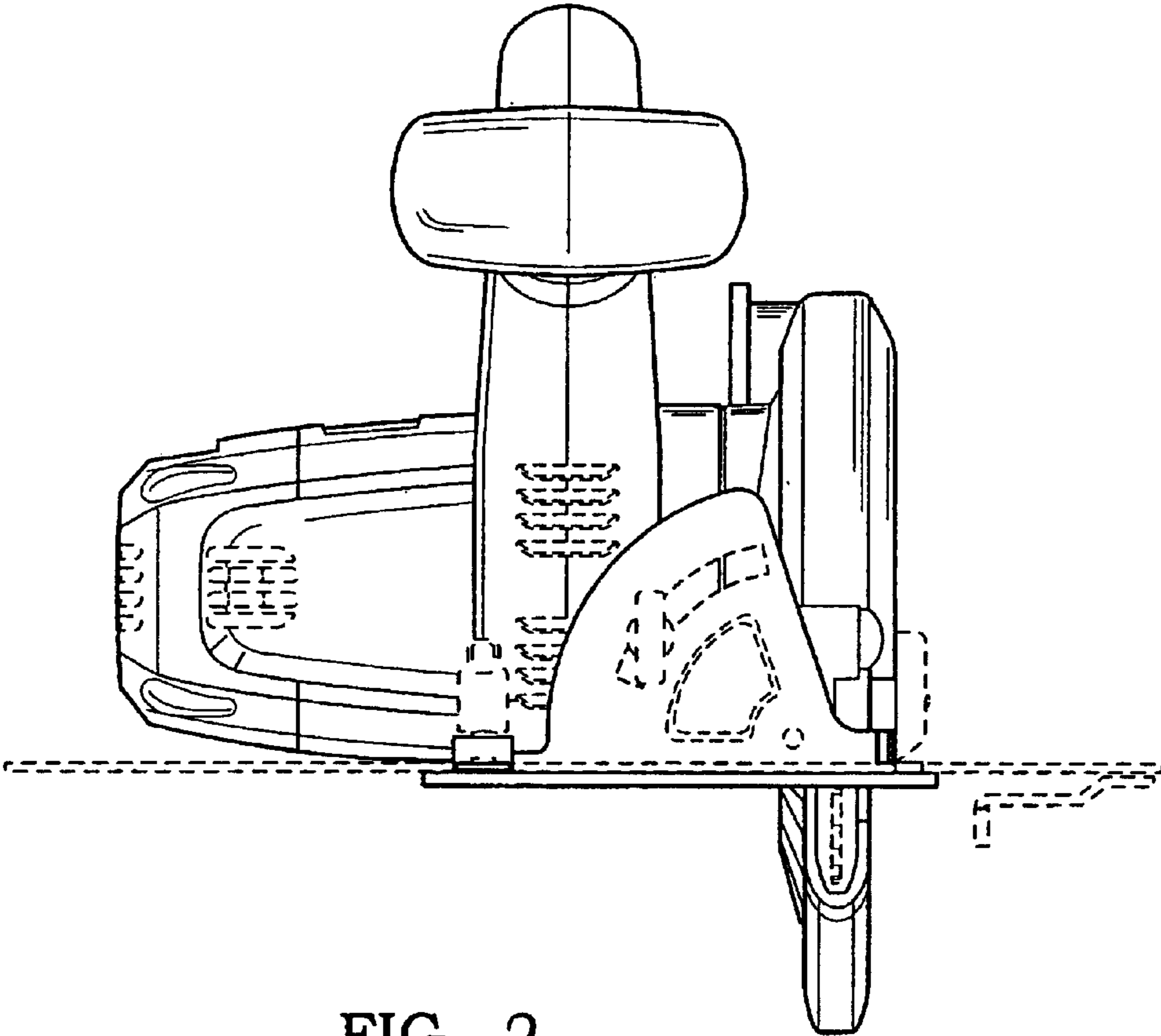


FIG. 2

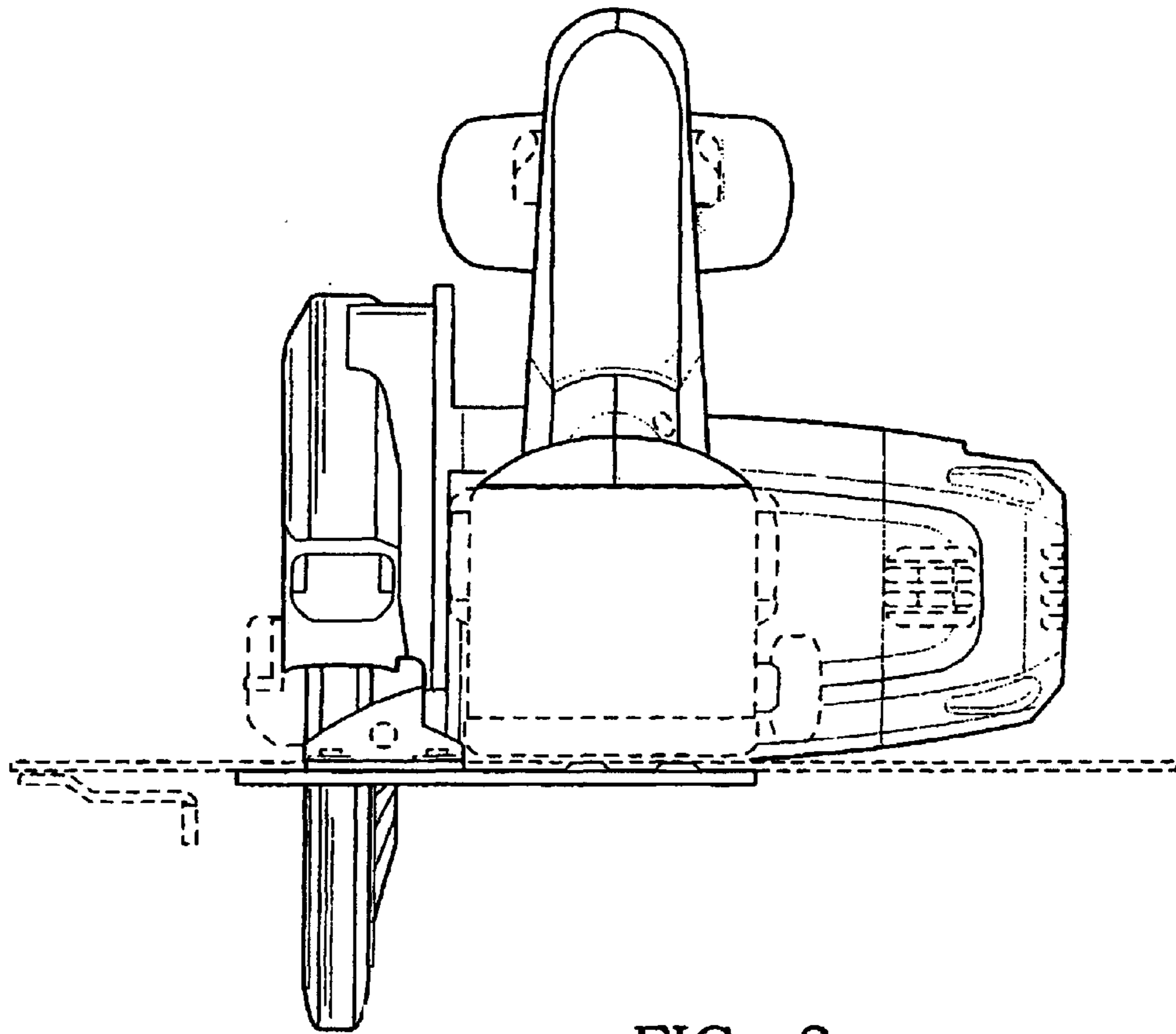


FIG. 3

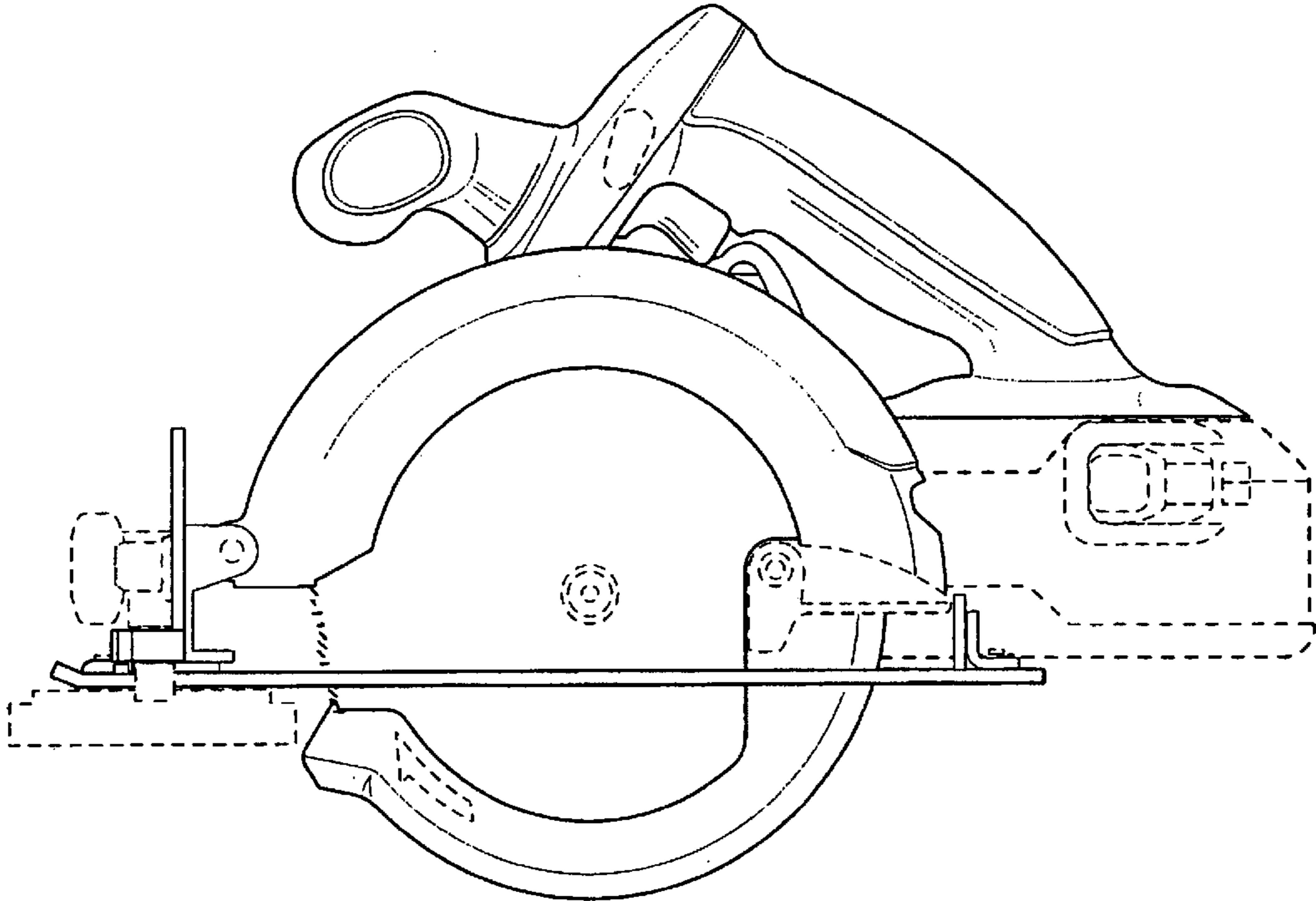


FIG. 4

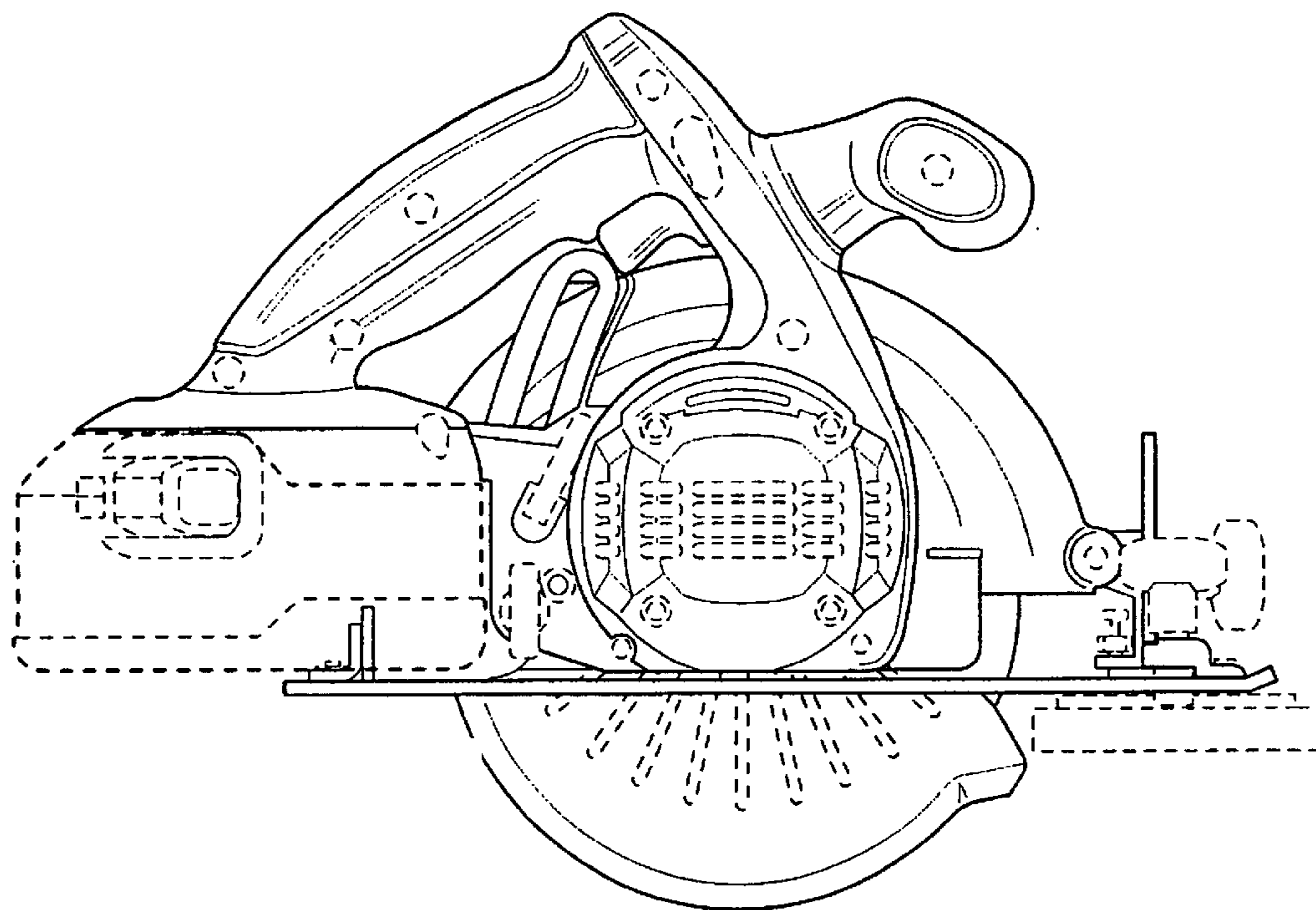


FIG. 5

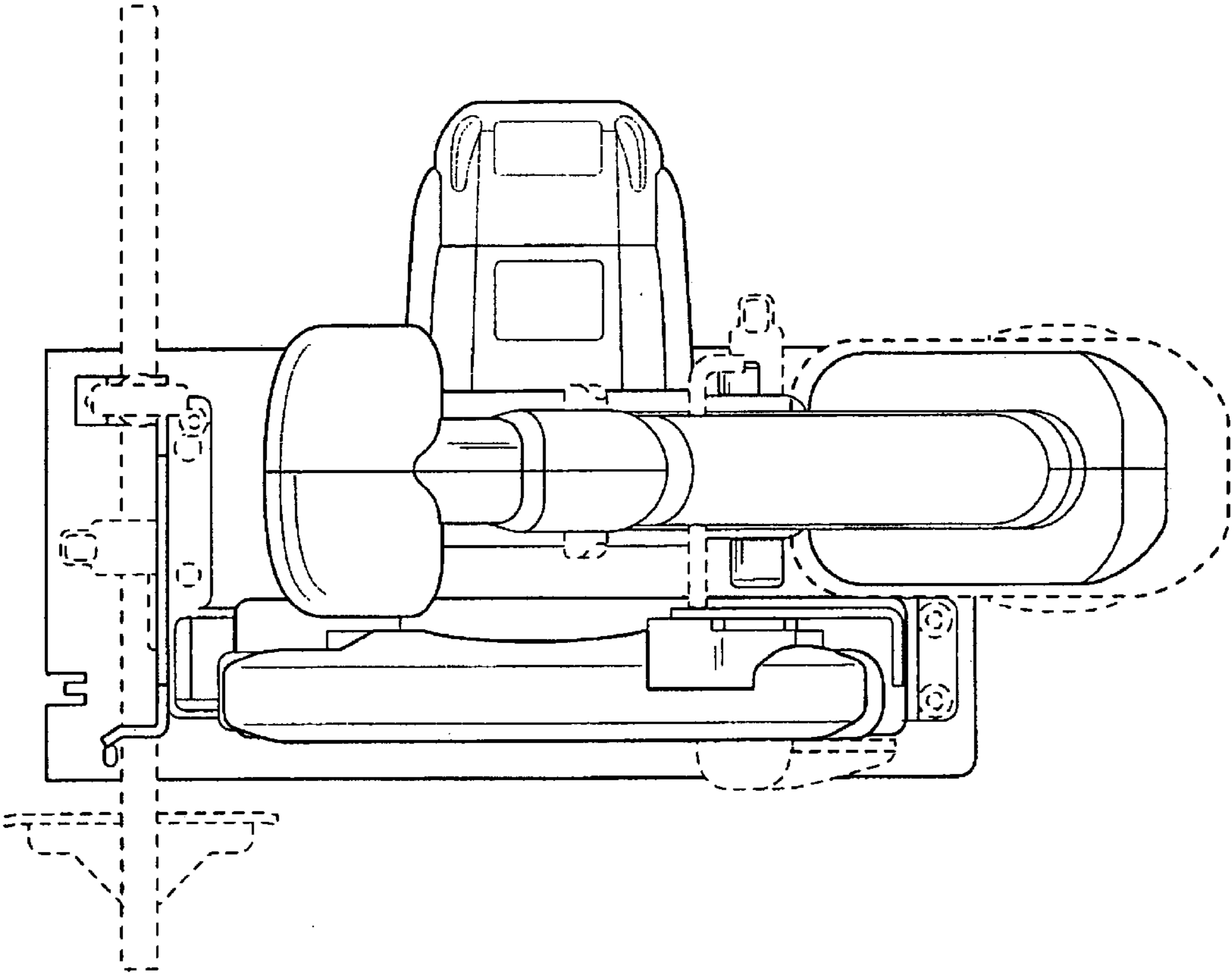


FIG. 6

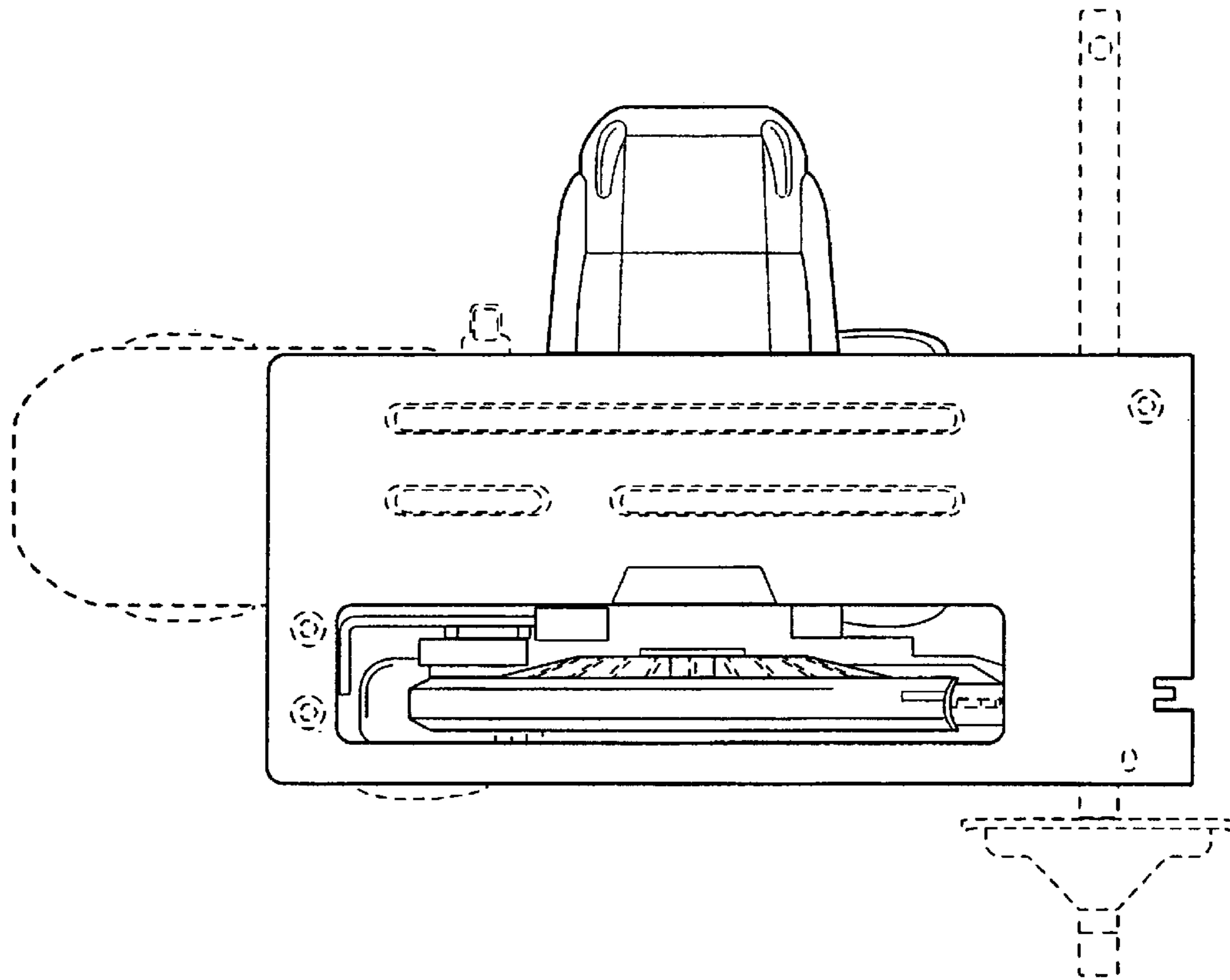


FIG. 7