

US00D514409S

(12) **United States Design Patent** (10) **Patent No.:** **US D514,409 S**
Kopp et al. (45) **Date of Patent:** **** Feb. 7, 2006**

(54) **RATCHET BUMPER**

(75) Inventors: **Tony Kopp**, West Allis, WI (US); **Eric Mackey**, Milwaukee, WI (US); **Mark Van Handel**, Milwaukee, WI (US)

(73) Assignee: **Master Lock Company**, Oak Creek, WI (US)

(**) Term: **14 Years**

(21) Appl. No.: **29/217,583**

(22) Filed: **Nov. 19, 2004**

Related U.S. Application Data

(62) Division of application No. 29/193,162, filed on Nov. 4, 2003, now Pat. No. Des. 507,480.

(51) **LOC (8) Cl.** **08-08**

(52) **U.S. Cl.** **D8/44**

(58) **Field of Classification Search** D8/44;
24/265 CD, 265 AL, 68 CD

See application file for complete search history.

(56) **References Cited**

U.S. PATENT DOCUMENTS

3,699,843 A	*	10/1972	Sweeny	407/9
4,185,360 A	*	1/1980	Prete et al.	24/68 CD
4,199,182 A	*	4/1980	Sunesson	24/68 CD
D266,828 S		11/1982	Prete, Jr.	
4,530,135 A	*	7/1985	Hsiang	24/68 CD
4,542,883 A		9/1985	Rutzki	
4,622,721 A	*	11/1986	Smetz et al.	24/68 CD
4,987,653 A	*	1/1991	Lin	24/68 CD
D322,557 S		12/1991	Cummings	
5,103,536 A		4/1992	Kamper	
D328,840 S		8/1992	Jensen	
5,205,020 A		4/1993	Kamper	
5,271,606 A		12/1993	Kamper	

5,549,429 A		8/1996	Sergent	
5,730,218 A	*	3/1998	Swagerty et al.	166/241.1
5,778,496 A		7/1998	Huang	
5,819,377 A		10/1998	Huang	
5,943,742 A		8/1999	Huang	
6,007,053 A		12/1999	Huang	
6,125,682 A	*	10/2000	Rzasa et al.	72/412
6,195,848 B1		3/2001	Jackson et al.	
6,547,218 B2		4/2003	Landy	
6,654,987 B1		12/2003	Wu	
6,684,667 B2		2/2004	Young	

* cited by examiner

Primary Examiner—Holly H. Baynham

(74) *Attorney, Agent, or Firm*—Calfee, Halter & Griswold, LLP

(57) **CLAIM**

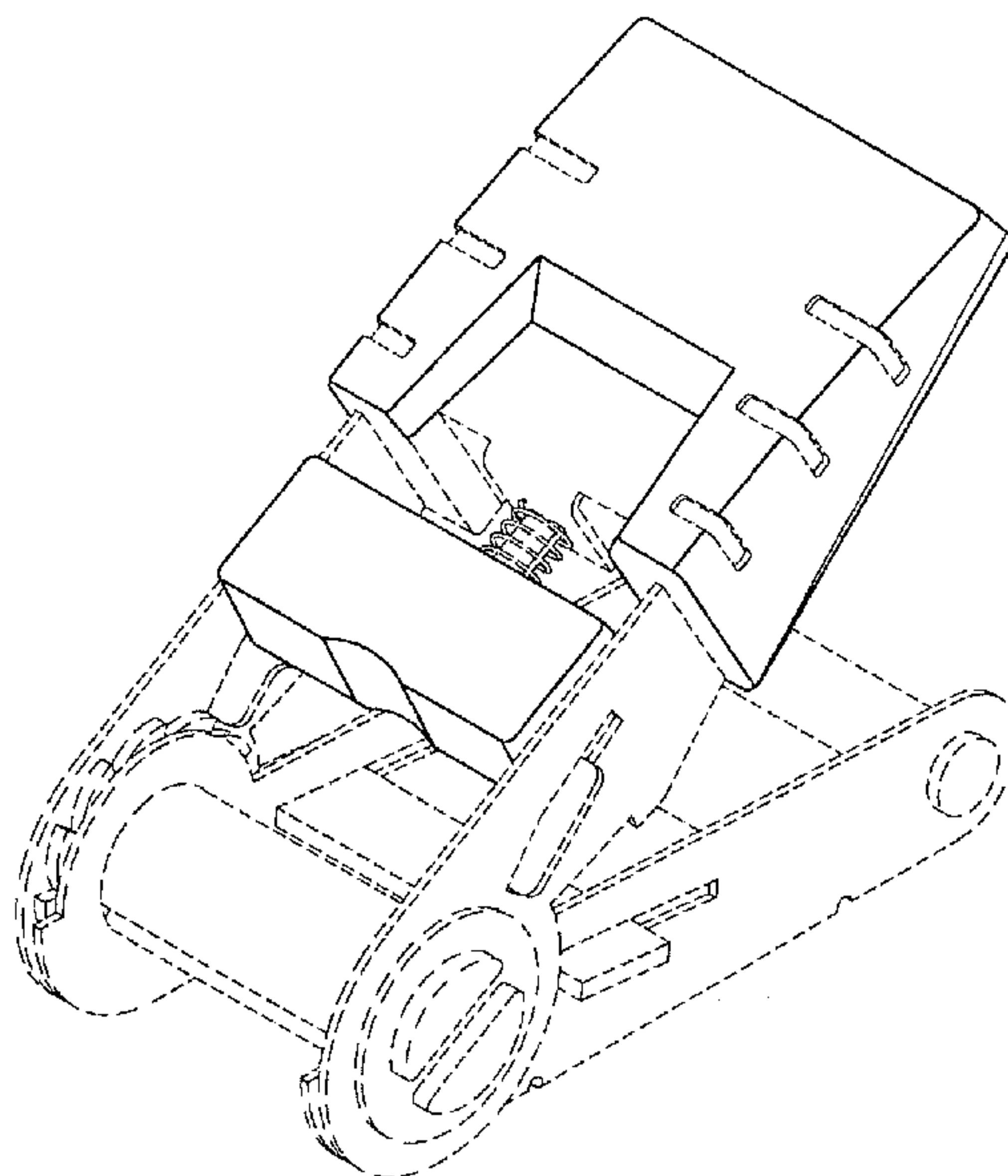
The ornamental design for a ratchet bumper, as shown and described.

DESCRIPTION

FIG. 1 is a perspective view of a ratchet bumper of the new design;
 FIG. 2 is a front elevational view of the ratchet bumper of FIG. 1;
 FIG. 3 is a right side elevational view of the ratchet bumper of FIG. 1;
 FIG. 4 is a rear elevational view of the ratchet bumper of FIG. 1;
 FIG. 5 is a top plan view of the ratchet bumper of FIG. 1;
 FIG. 6 is a left side elevational view of the ratchet bumper of FIG. 1; and,
 FIG. 7 is a bottom plan view of the ratchet bumper of FIG. 1.

The portion of the Figures shown in broken lines is for illustrative purposes only, and forms no part of the claimed design.

1 Claim, 3 Drawing Sheets



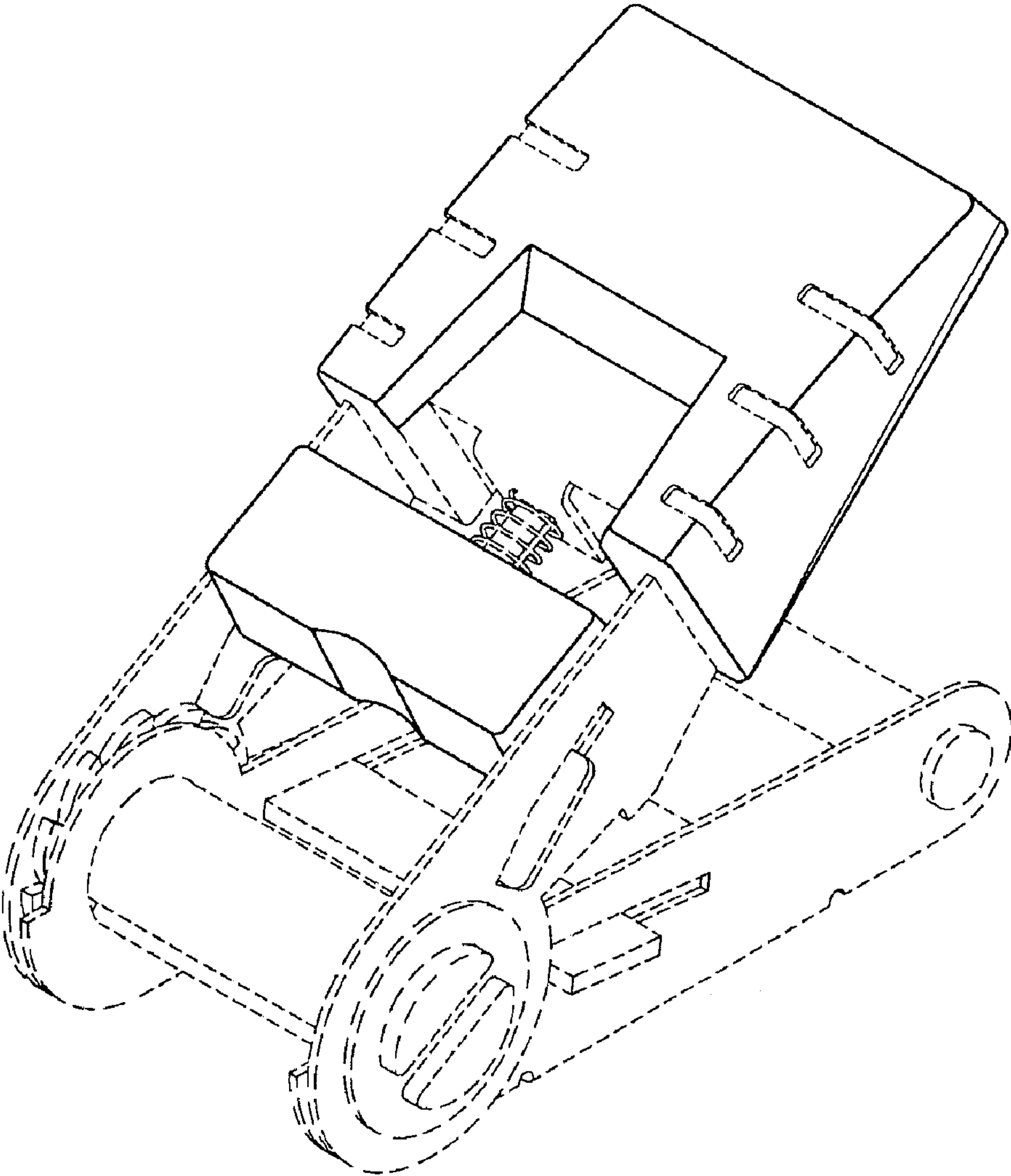


FIG. 1

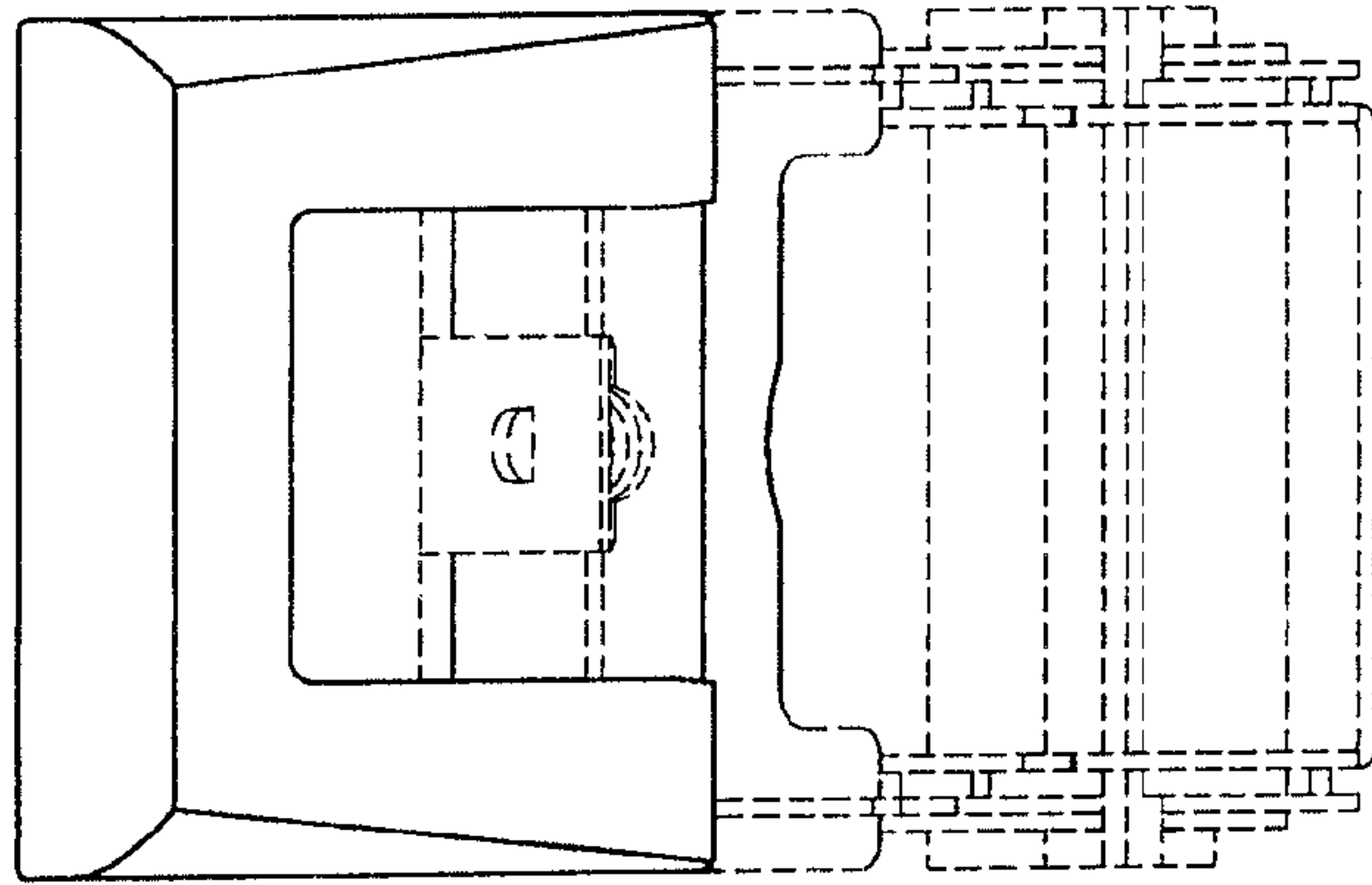


FIG. 4

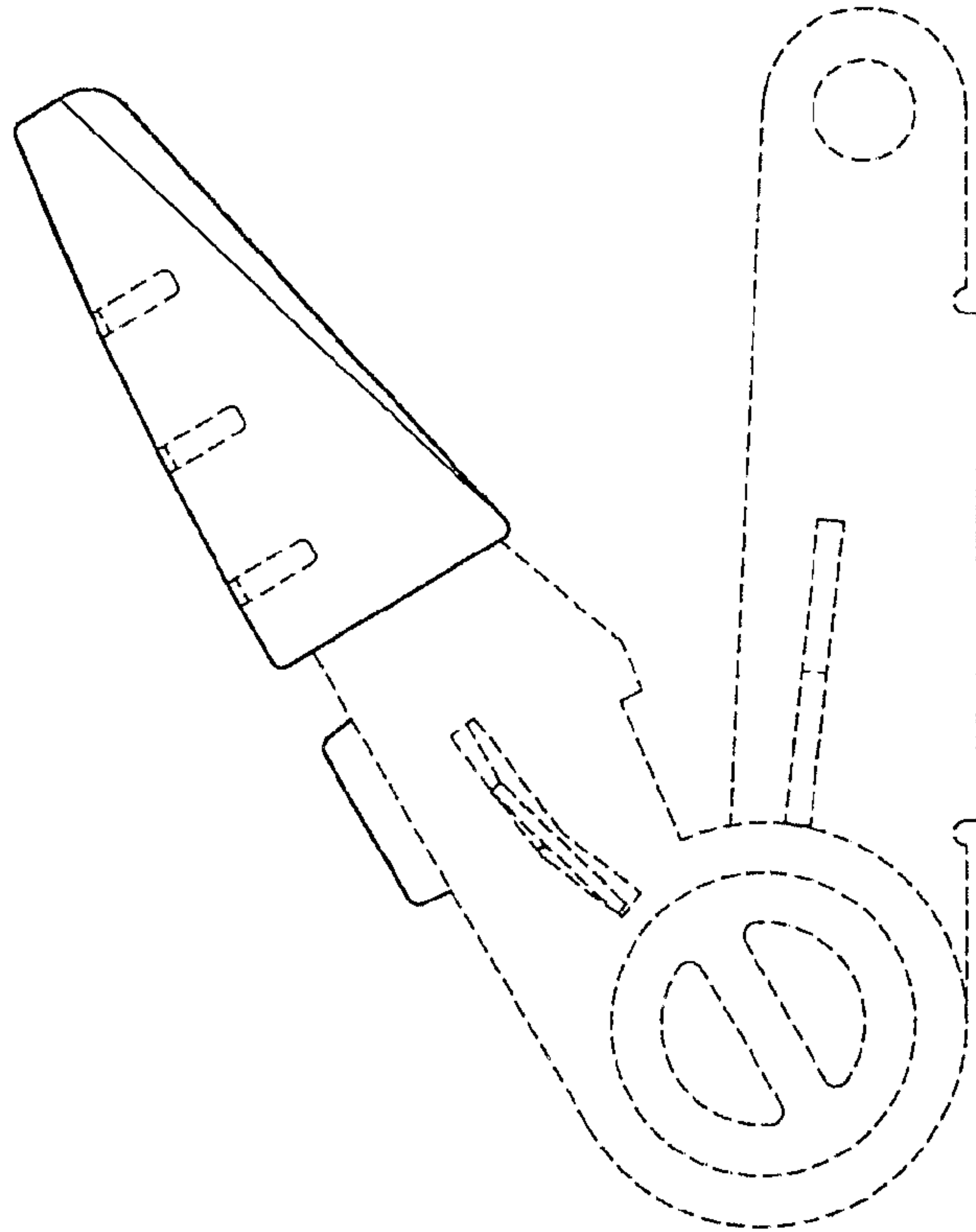


FIG. 3

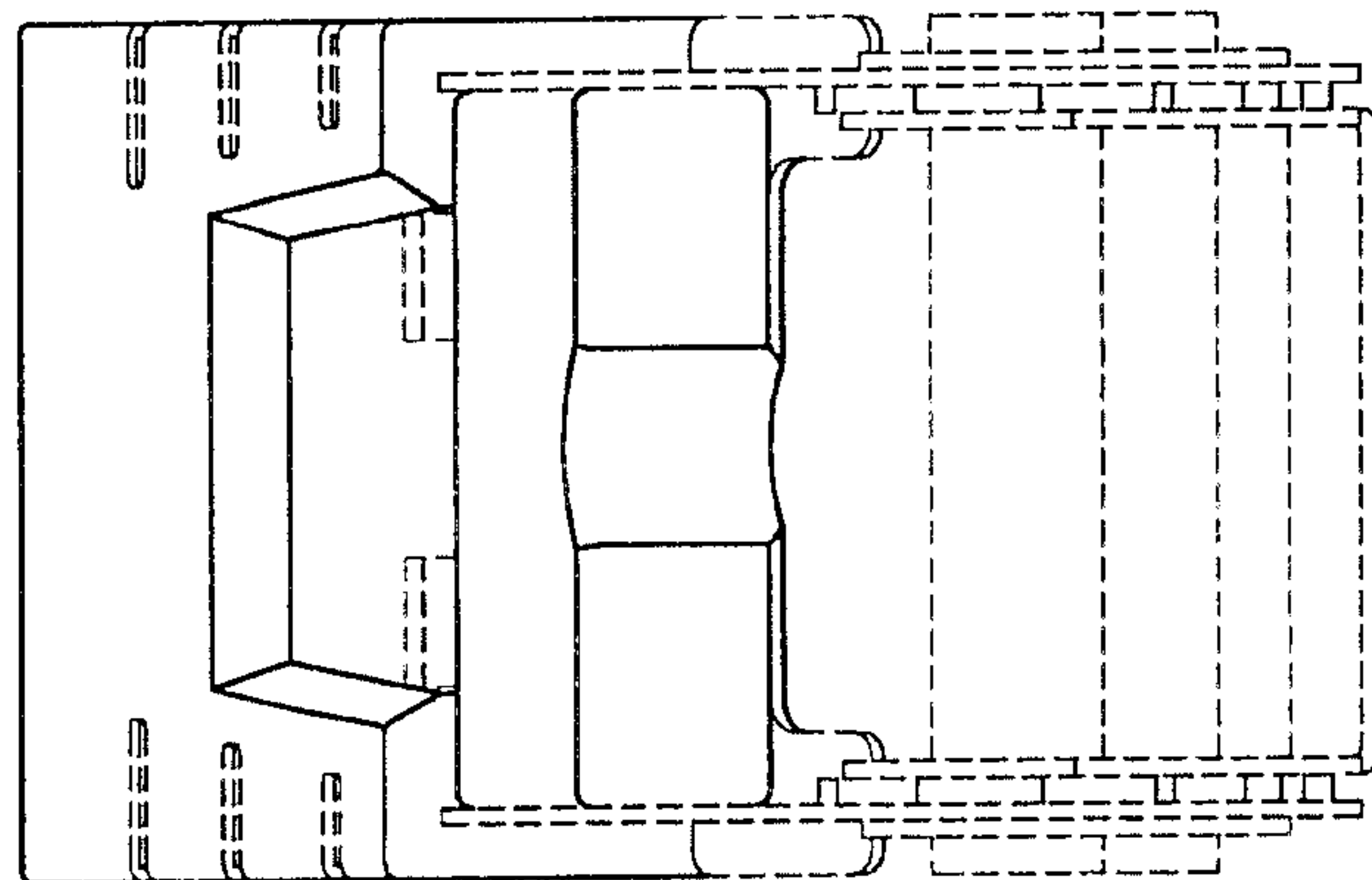


FIG. 2

FIG. 5

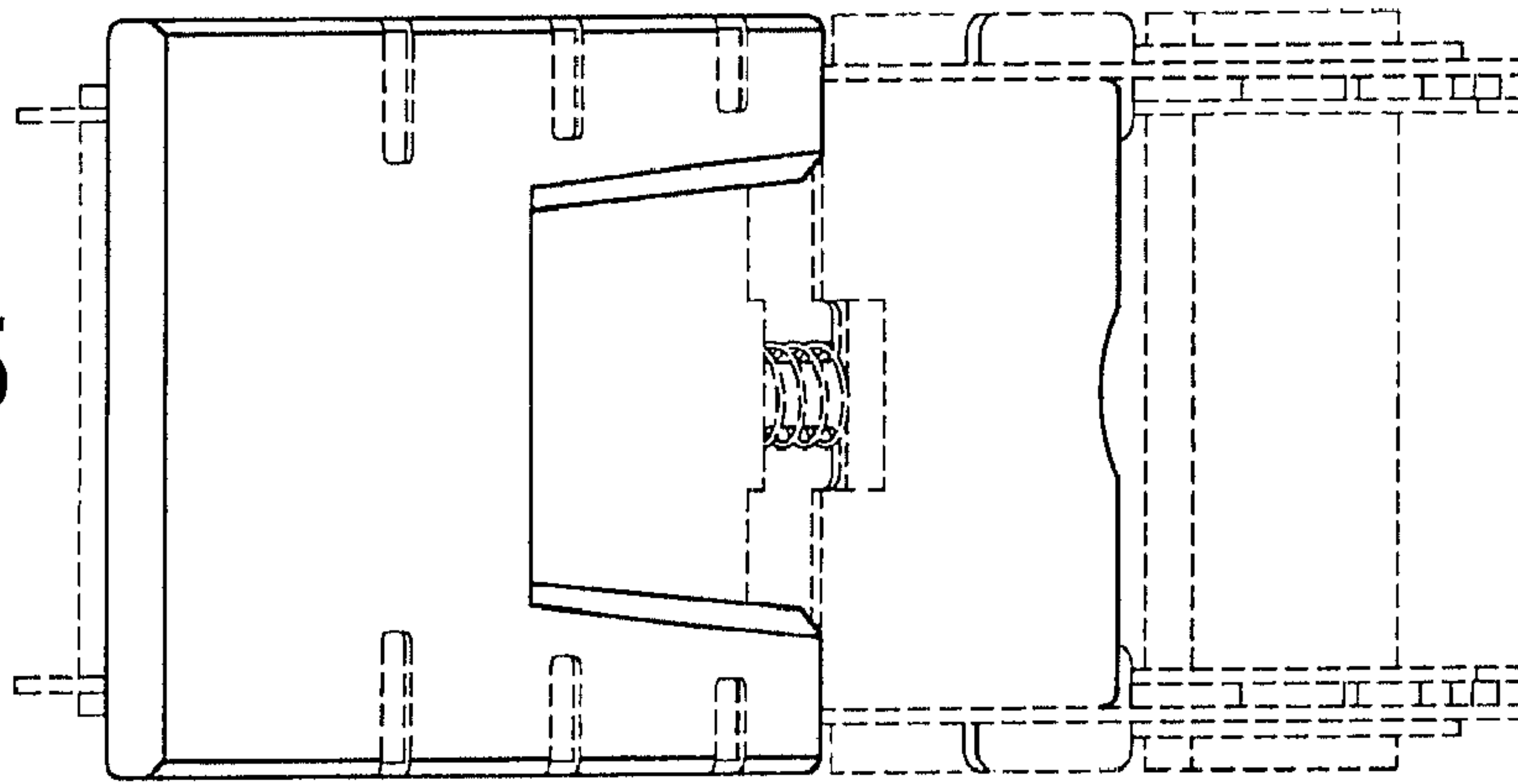


FIG. 6

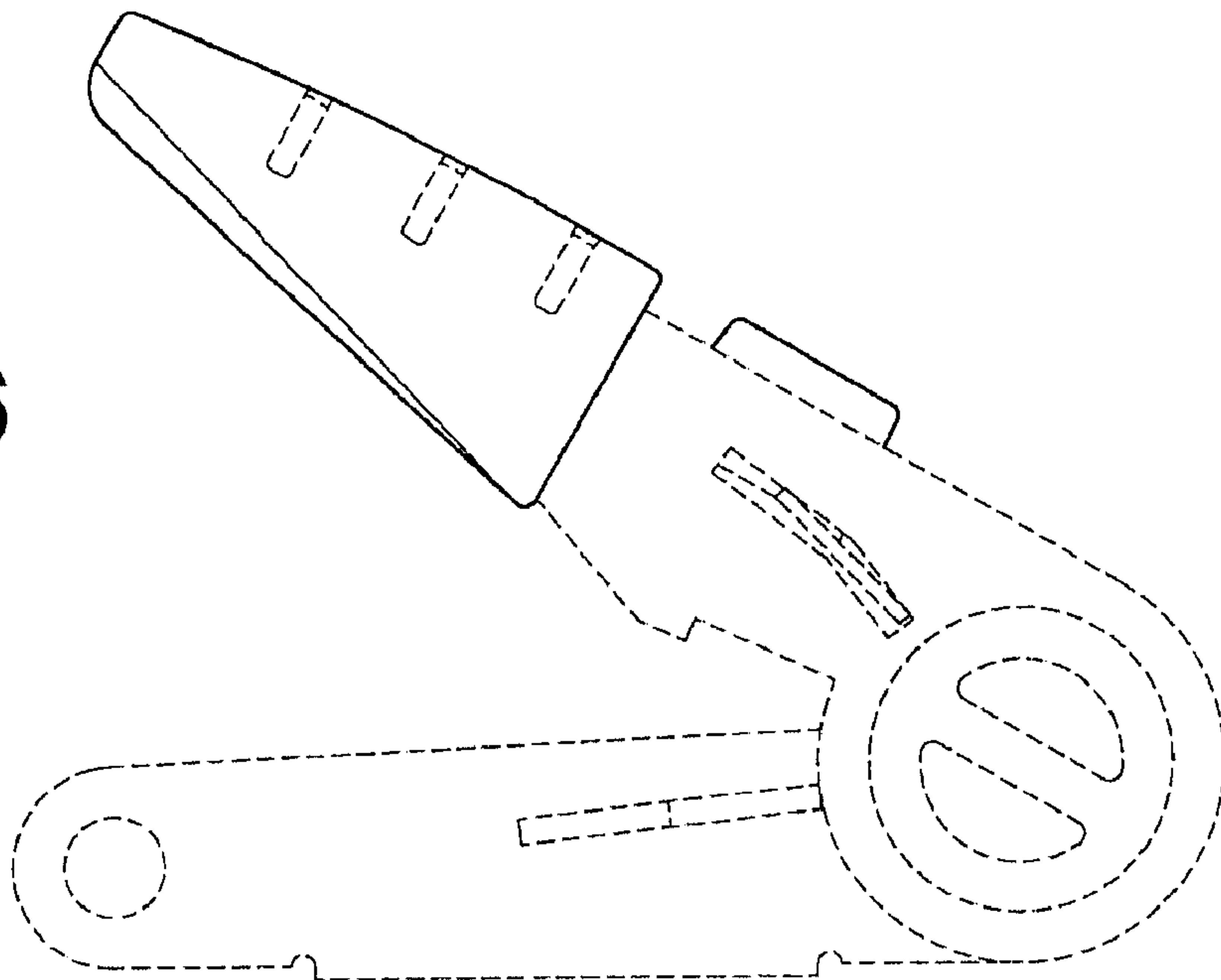


FIG. 7

