



US00D514408S

(12) **United States Design Patent** (10) **Patent No.:** **US D514,408 S**
Melendy et al. (45) **Date of Patent:** **** Feb. 7, 2006**

(54) **CARTRIDGE GLUE GUN**

(75) Inventors: **Peter Melendy**, Brentwood, NH (US);
Richard Belanger, Kensington, NH
(US); **Marwan Aylouche**, Marblehead,
MA (US); **John Fiegenger**, Marblehead,
MA (US); **Michael Tintsman**, Lynn,
MA (US)

(73) Assignee: **Adhesive Technologies, Inc.**, Hampton,
NH (US)

(**) Term: **14 Years**

(21) Appl. No.: **29/226,153**

(22) Filed: **Mar. 25, 2005**

Related U.S. Application Data

(63) Continuation of application No. 29/198,742, filed on Feb. 5,
2004.

(51) **LOC (8) Cl.** **08-05**

(52) **U.S. Cl.** **D8/30; D8/14.1**

(58) **Field of Classification Search** D8/14.1,
D8/29.1, 29.2, 30, 68; 219/227, 229, 146.5,
219/146.2, 146.1; 401/2

See application file for complete search history.

(56) **References Cited**

U.S. PATENT DOCUMENTS

D303,611 S * 9/1989 Spirk et al. D8/14.1

D315,852 S * 4/1991 Nusse et al. D8/30
D316,019 S * 4/1991 Belanger D8/30
D316,506 S * 4/1991 Nusse et al. D8/30
D325,154 S * 4/1992 King et al. D8/30
D399,719 S * 10/1998 Mignanelli D8/68
D404,622 S * 1/1999 Singleton D8/29.1
D406,992 S * 3/1999 Cheng D8/30
5,881,923 A * 3/1999 Bokros 222/146.5
D414,663 S * 10/1999 Bokros D8/30
D474,949 S * 5/2003 Schaffeld et al. D8/14.1

* cited by examiner

Primary Examiner—Philip S. Hyder

(74) *Attorney, Agent, or Firm*—Clark & Brody

(57) **CLAIM**

The ornamental design for the cartridge glue gun, as shown
and described.

DESCRIPTION

FIG. 1 is a perspective of a cartridge glue gun showing our
new design, wherein a plunger and cartridge are shown in
phantom lines for illustrative purposes only and form no part
of the claimed design.

FIG. 2 is a left side view of the cartridge glue gun showing
our new design. The right side view is a mirror image
thereof.

FIG. 3 is a top plan view thereof.

FIG. 4 is a bottom plan view thereof.

FIG. 5 is a front elevation view thereof; and,

FIG. 6 is a rear elevation view thereof.

1 Claim, 3 Drawing Sheets

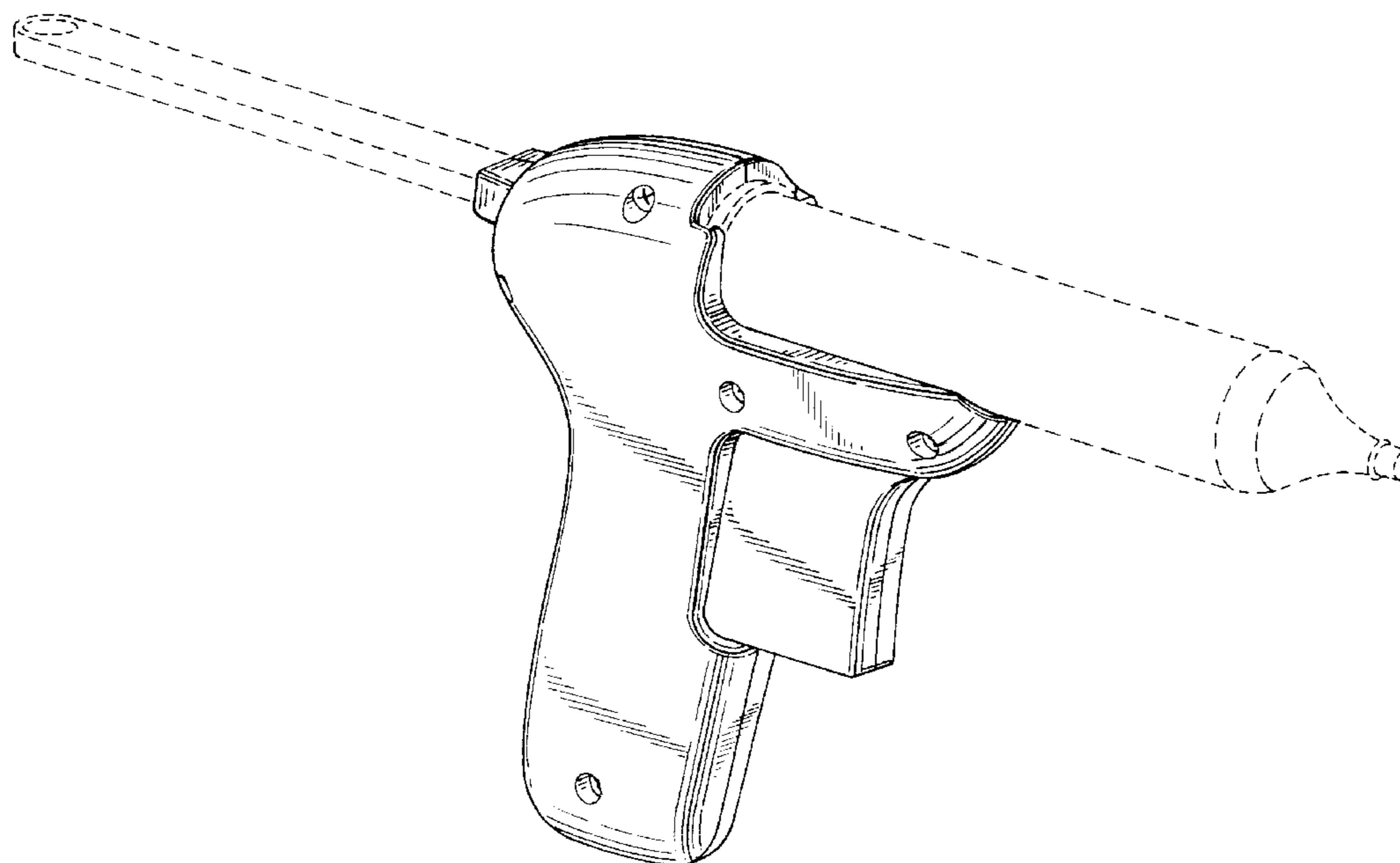


FIG. 1

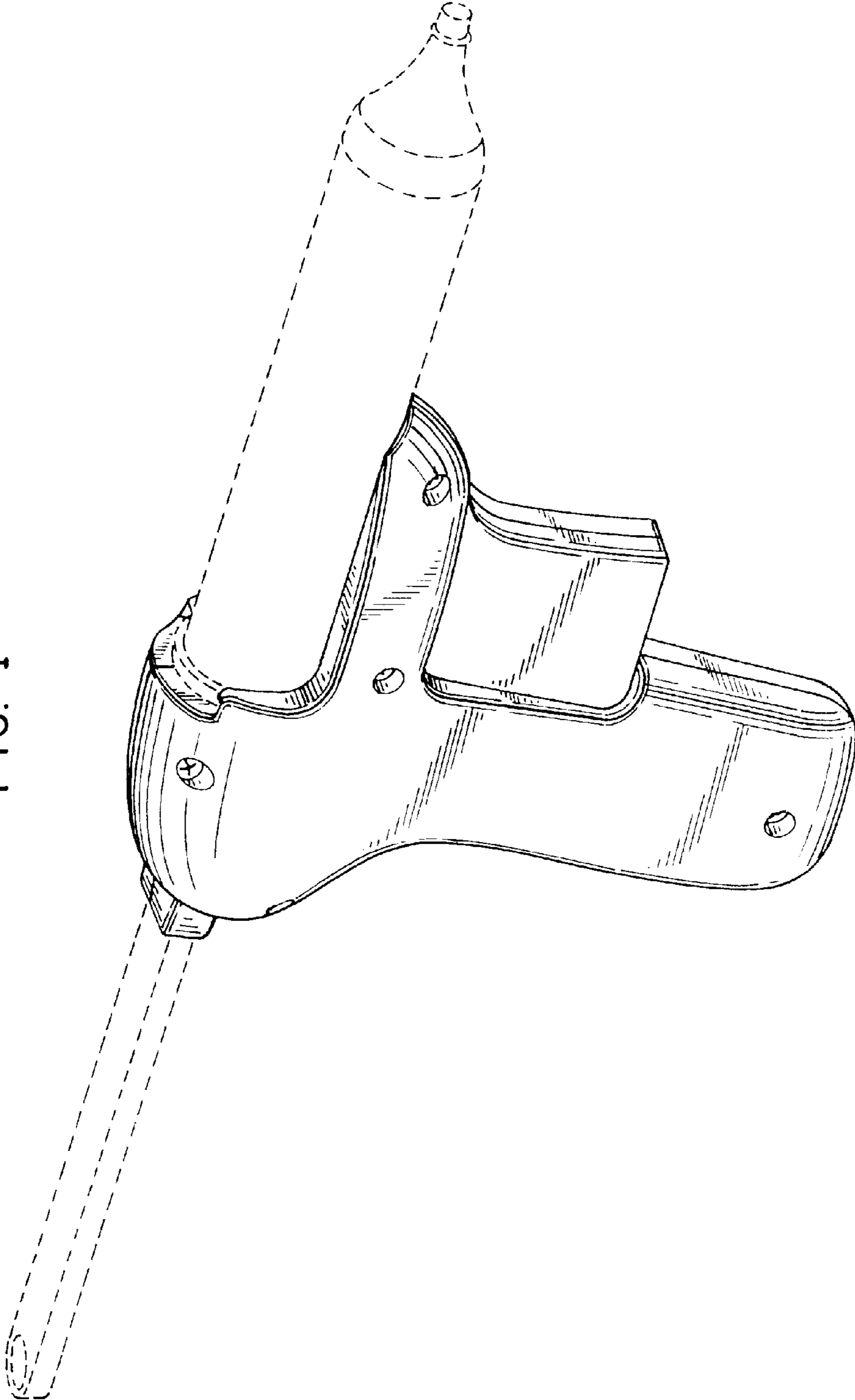


FIG. 3

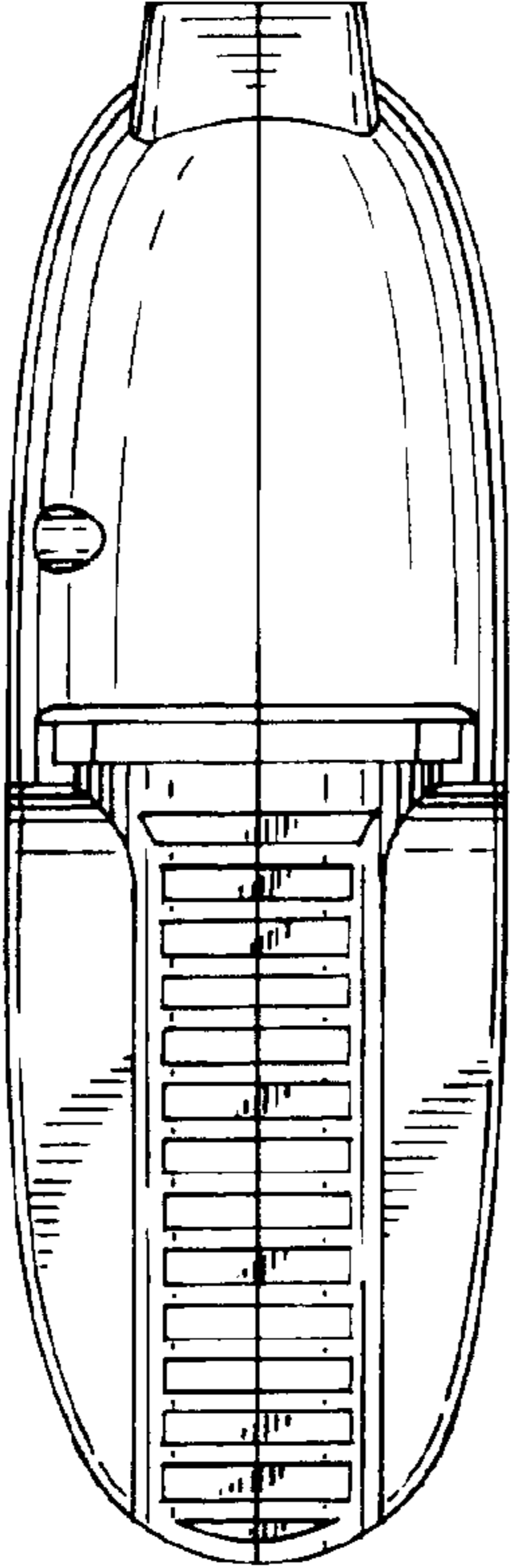


FIG. 4

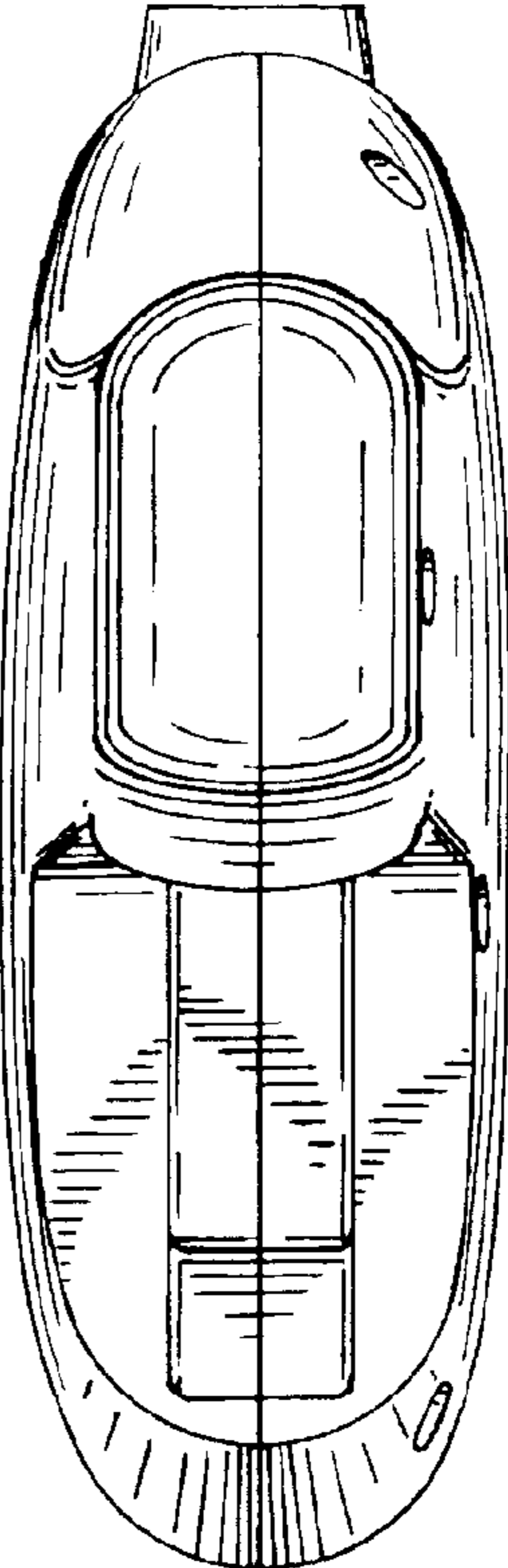


FIG. 2

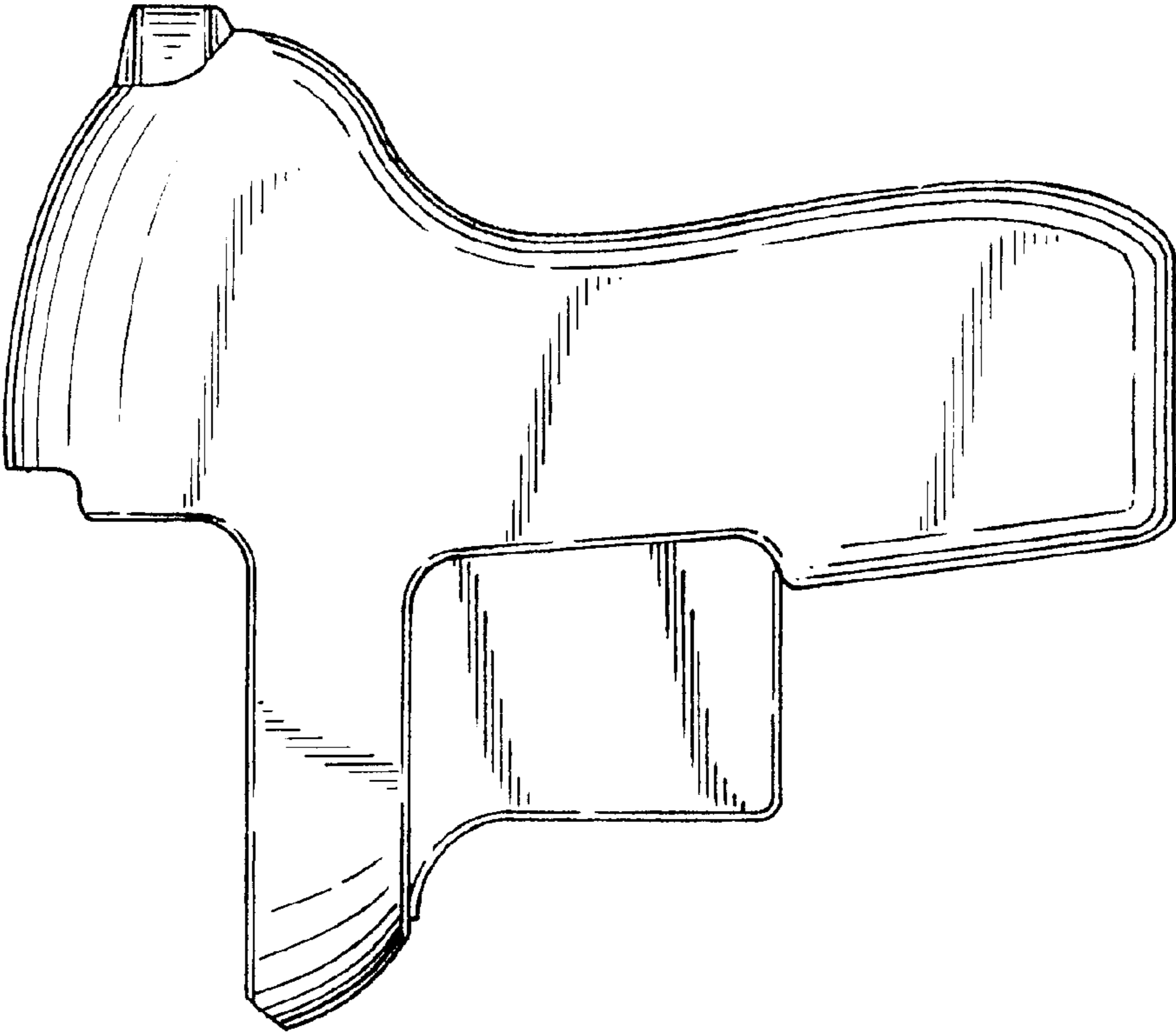


FIG. 5

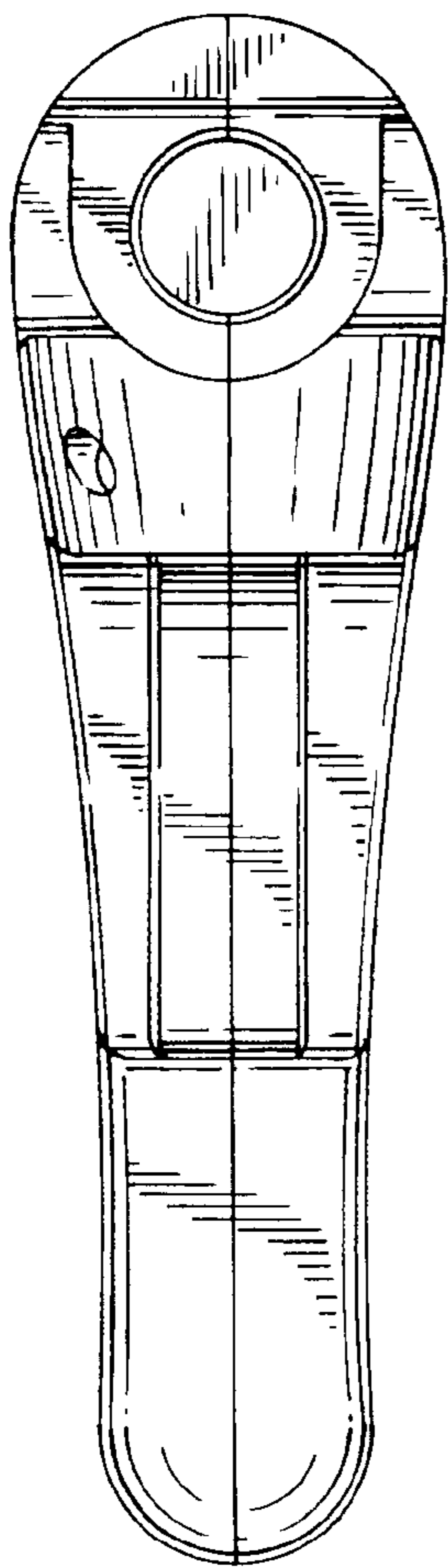


FIG. 6

