



US00D514405S

(12) **United States Design Patent** (10) **Patent No.:** **US D514,405 S**  
**Chaconas** (45) **Date of Patent:** **\*\* Feb. 7, 2006**

(54) **WRENCH**

(75) Inventor: **Peter C. Chaconas**, Glyndon, MD (US)

(73) Assignee: **Easco Hand Tools, Inc.**, Simsbury, CT (US)

(\*\*) Term: **14 Years**

(21) Appl. No.: **29/209,970**

(22) Filed: **Jul. 23, 2004**

(51) **LOC (8) Cl.** ..... **08-05**

(52) **U.S. Cl.** ..... **D8/25; D8/28**

(58) **Field of Classification Search** ..... D8/21-29;  
81/58, 176.1, 176.15, 176.2, 119, 120, 121.1,  
81/125, 186, 481

See application file for complete search history.

(56) **References Cited**

**U.S. PATENT DOCUMENTS**

37,865 A	3/1863	Griswold	
D34,540 S	5/1901	Engstrom	
916,951 A	3/1909	Jeffrey	
1,297,846 A	3/1919	Herrman	
D53,597 S	7/1919	Marcmann	
D57,323 S	3/1921	Evans	
1,624,508 A	4/1927	Reilly	
D103,579 S	3/1937	McNaught	
2,605,665 A	8/1952	Grenat	
4,030,384 A *	6/1977	Newman	81/58.3
4,840,094 A	6/1989	Macor	
D303,069 S *	8/1989	Heberlie	D8/24
5,557,992 A	9/1996	Macor	
D375,667 S	11/1996	Macor	
D422,467 S	4/2000	Mollack	
6,131,492 A	10/2000	Mai	
D441,625 S *	5/2001	Chen	D8/28
D451,352 S *	12/2001	Wright	D8/28
6,688,195 B1	2/2004	Hsien	
2004/0025646 A1	2/2004	Hsien	

**OTHER PUBLICATIONS**

Snap-on tool catalog, Apr. 4, 1994 p. 118.\*

\* cited by examiner

*Primary Examiner*—Raphael Barkai

*Assistant Examiner*—Randall h. Gholson

(74) *Attorney, Agent, or Firm*—Nelson Mullins Riley & Scarborough, LLP

(57) **CLAIM**

The ornamental design of a wrench, substantially as shown and described.

**DESCRIPTION**

FIG. 1 is a perspective view of a wrench embodying the design of the present invention.

FIG. 2 is a top plan view of the wrench illustrated in FIG. 1.

FIG. 3 is a right side elevational view of the wrench illustrated in FIG. 1, with the left side elevational view being identical thereto.

FIG. 4 is a bottom plan view of the wrench illustrated in FIG. 1.

FIG. 5 is a front end view of the wrench illustrated in FIG. 1.

FIG. 6 is a rear end view of the wrench illustrated in FIG. 1.

FIG. 7 is a perspective view of a modified embodiment of the design shown in FIGS. 1-6.

FIG. 8 is a perspective view of a second modified embodiment of the design shown in FIGS. 1-6.

FIG. 9 is a top plan view of the wrench illustrated in FIG. 8.

FIG. 10 is a right side elevational view of the wrench illustrated in FIG. 8, with the left side elevational view being identical thereto.

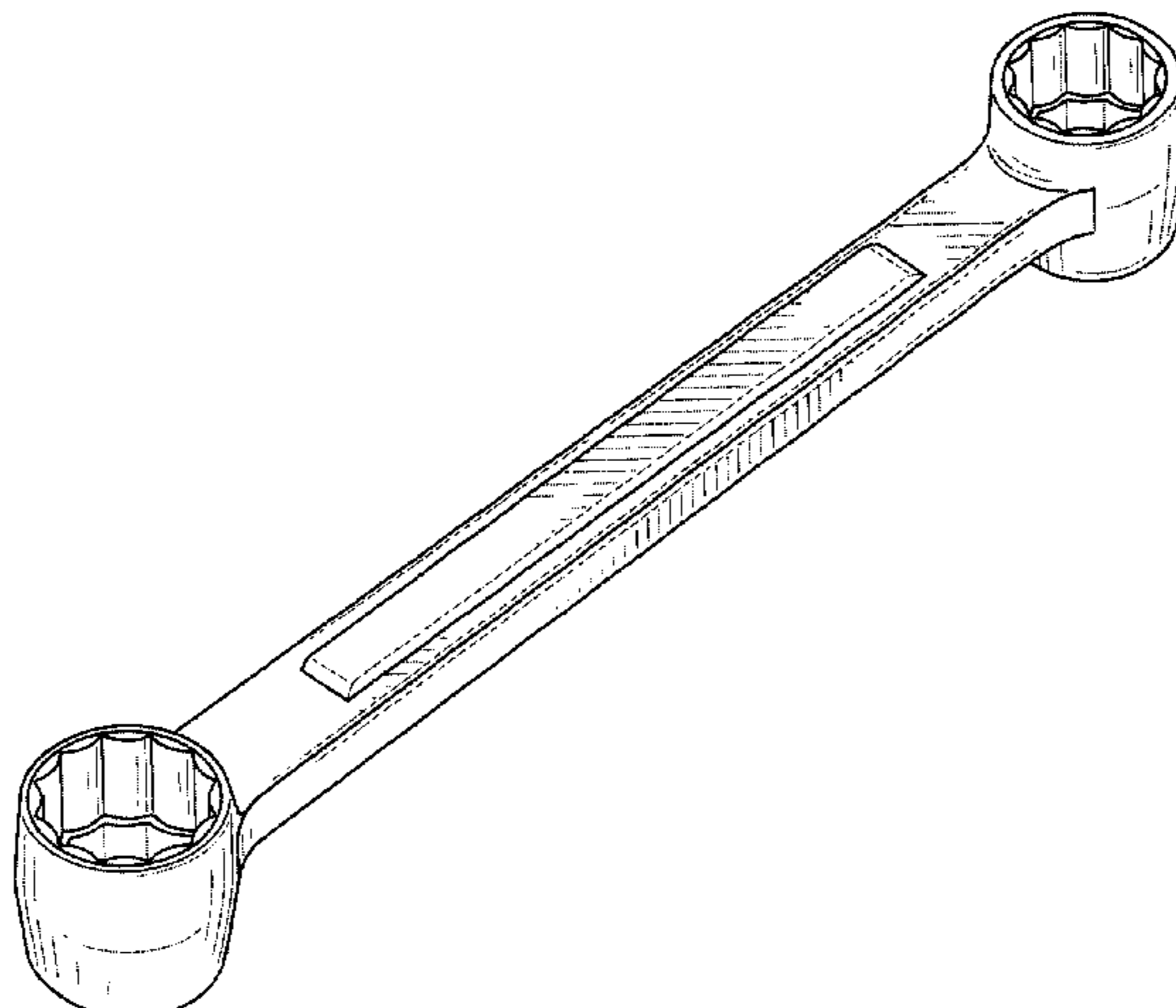
FIG. 11 is a bottom plan view of the wrench illustrated in FIG. 8.

FIG. 12 is a front end view of the wrench illustrated in FIG. 8.

FIG. 13 is a rear end view of the wrench illustrated in FIG. 8; and,

FIG. 14 is a perspective view of a third modified embodiment of the design shown in FIGS. 1-6.

**1 Claim, 8 Drawing Sheets**



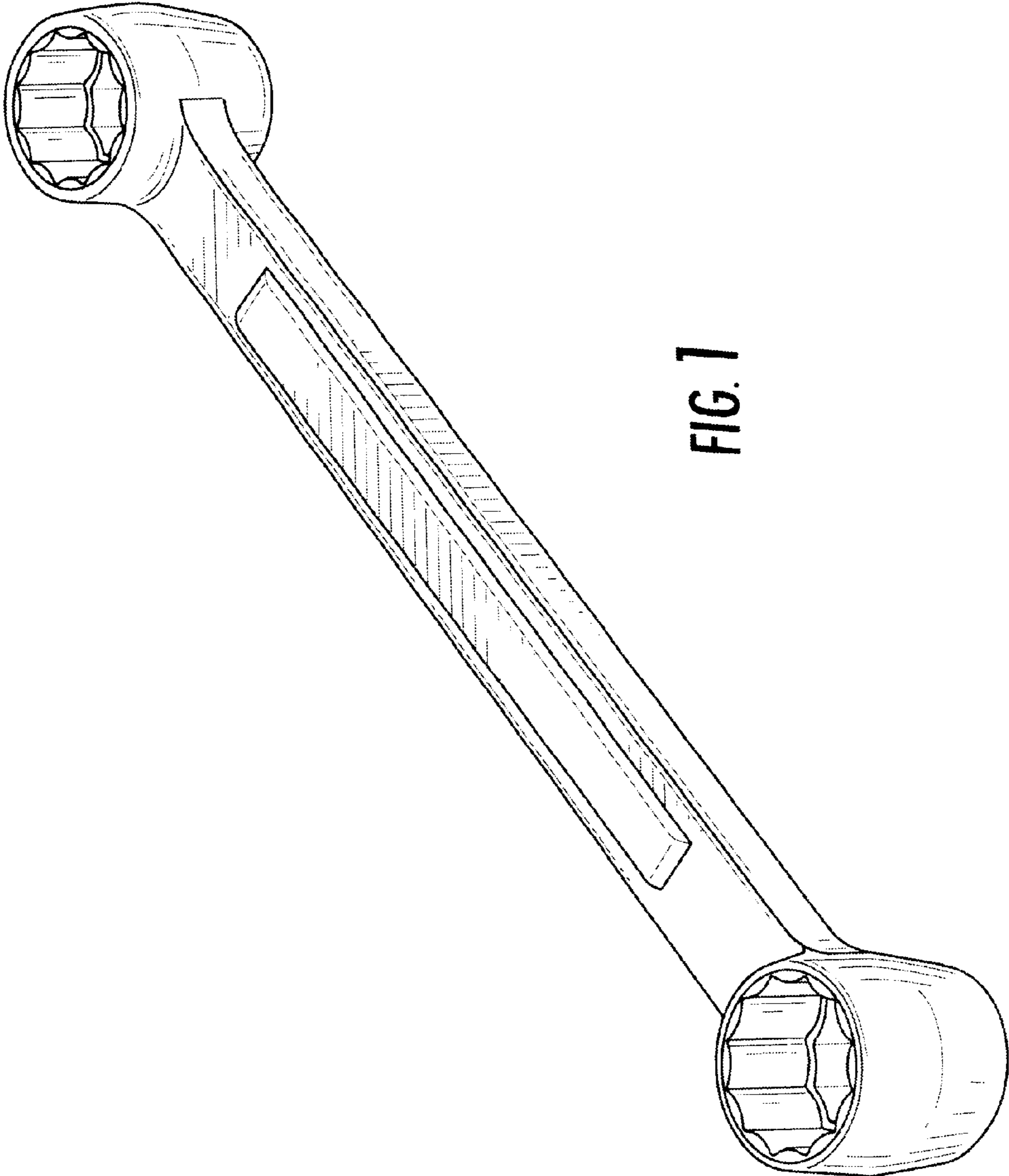


FIG. 1

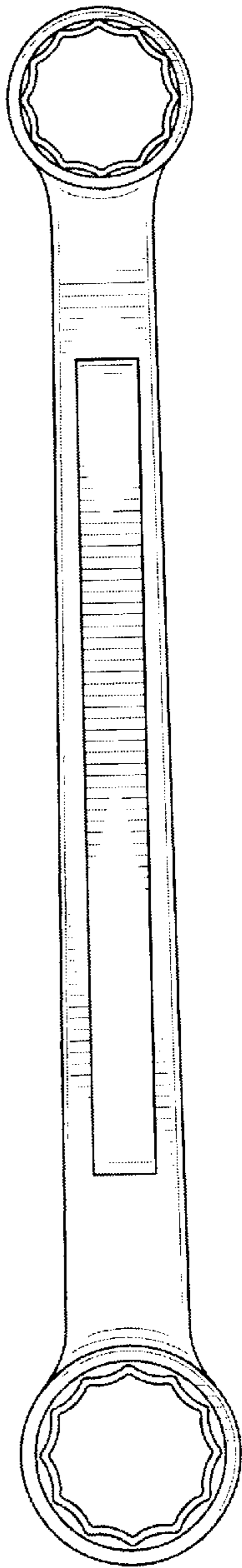


FIG. 2

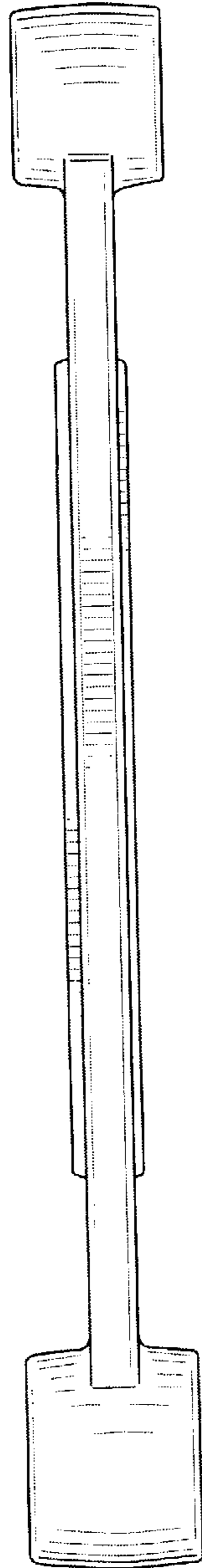


FIG. 3

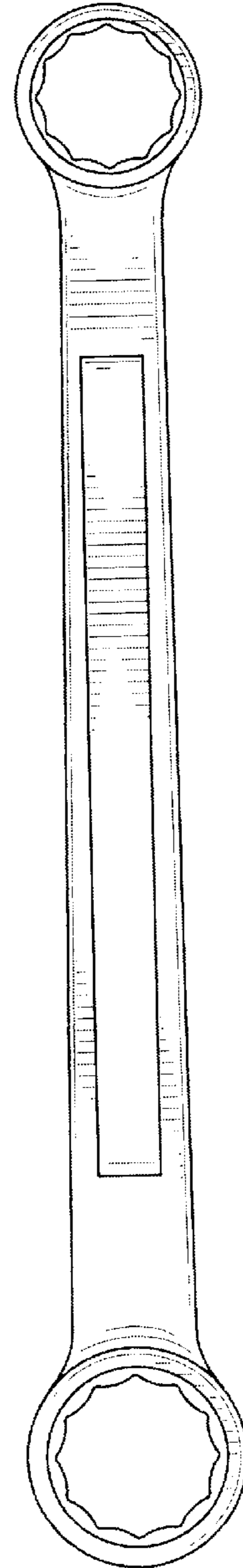
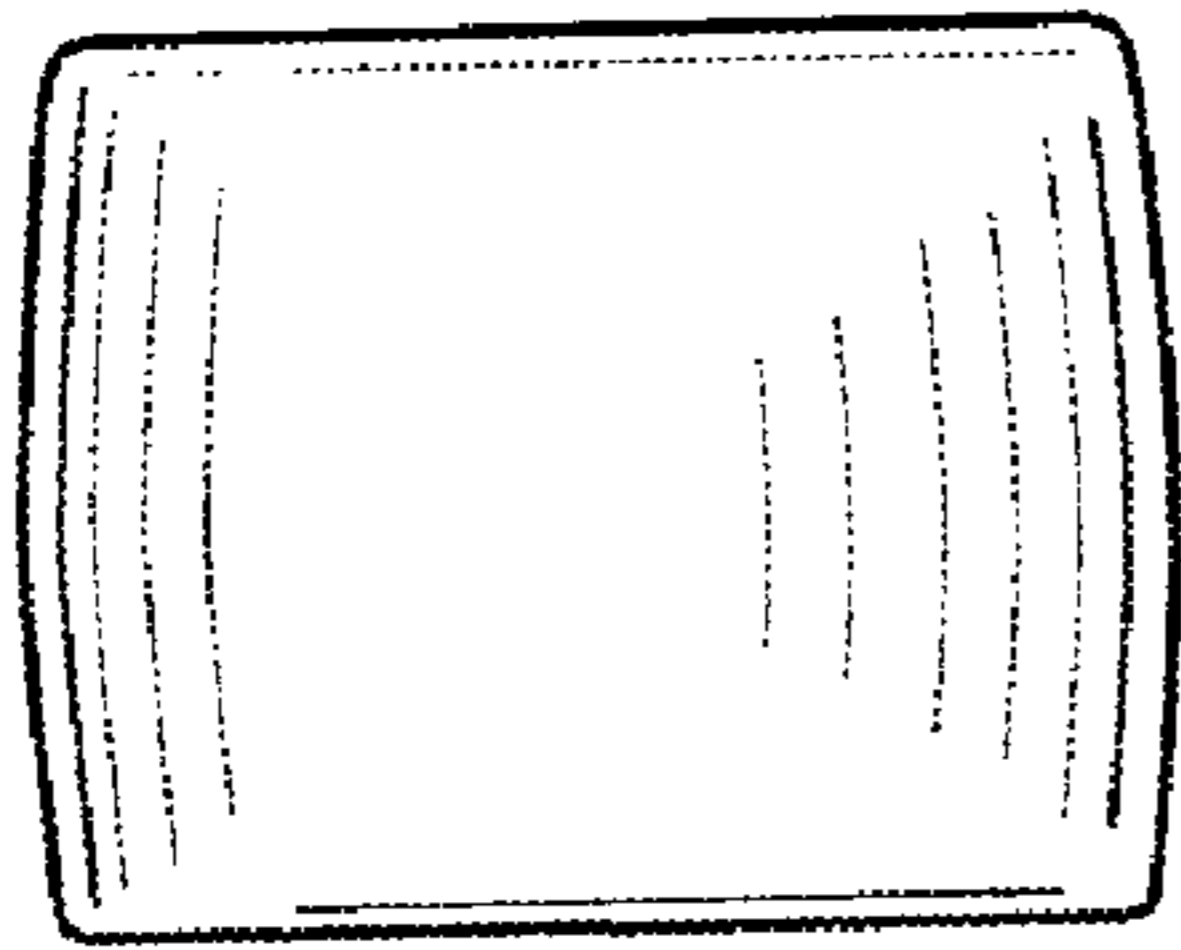
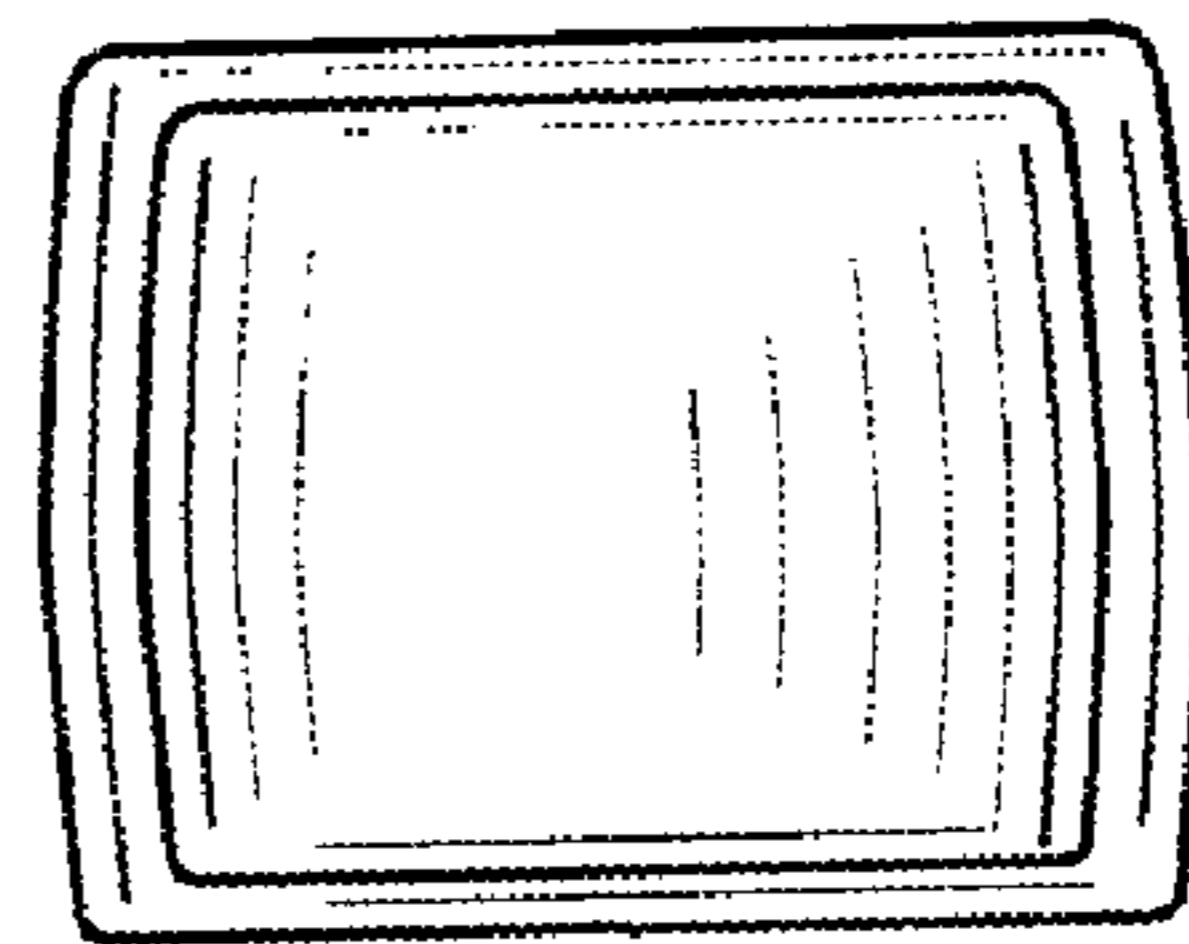


FIG. 4



**FIG. 5**



**FIG. 6**

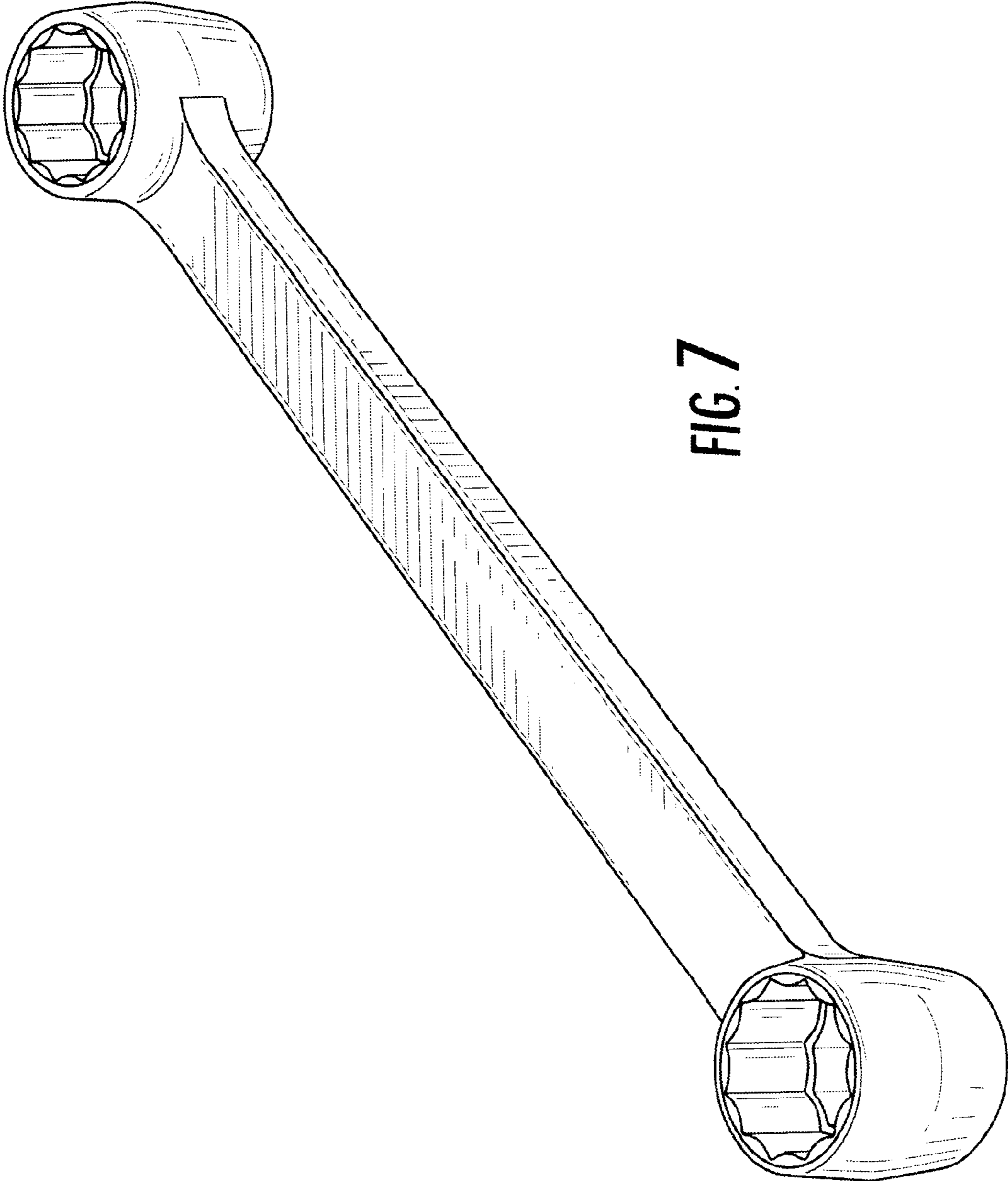


FIG. 7

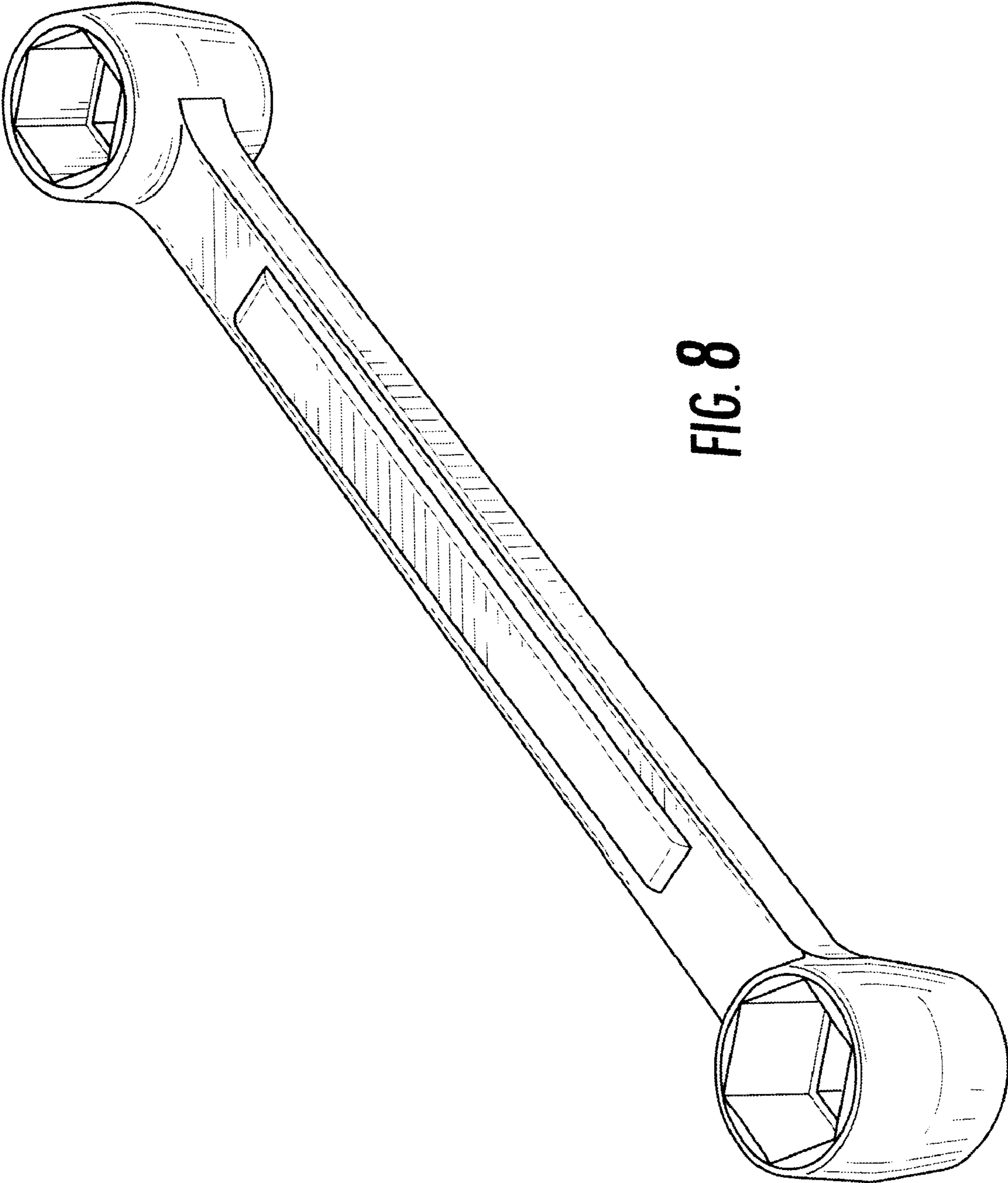


FIG. 8

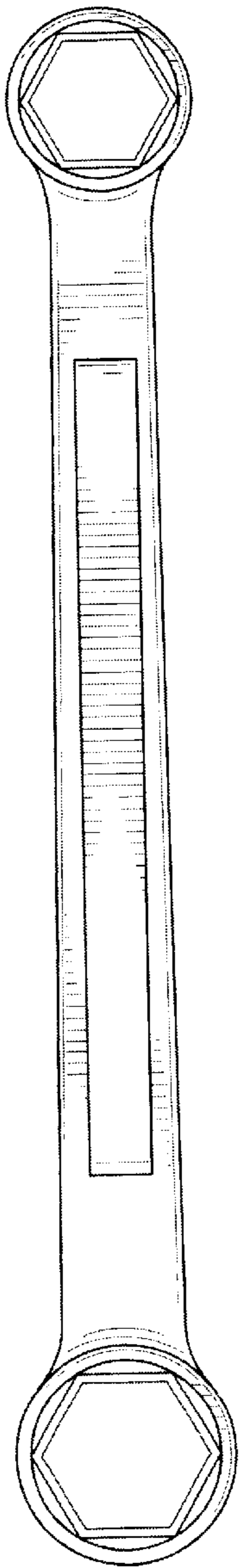


FIG. 9

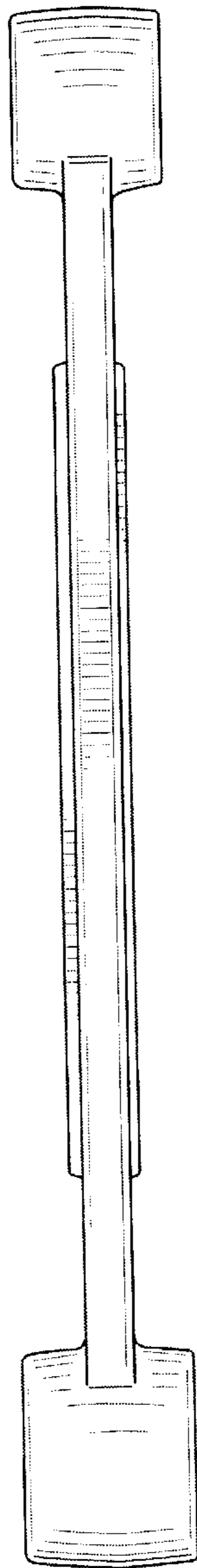


FIG. 10

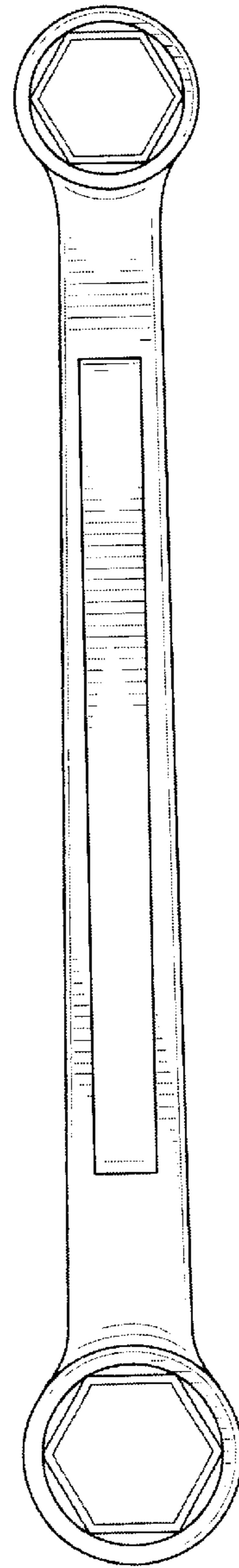
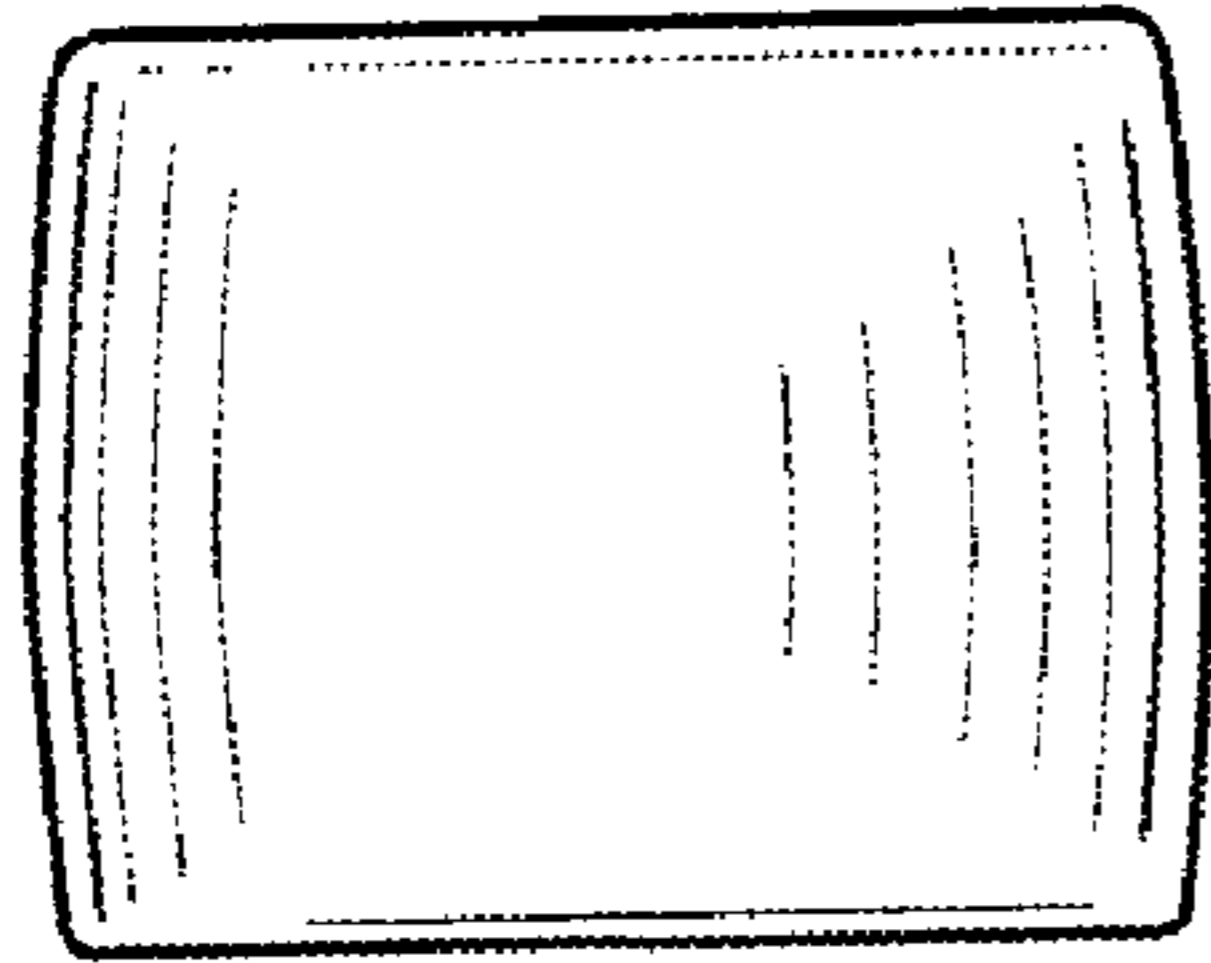
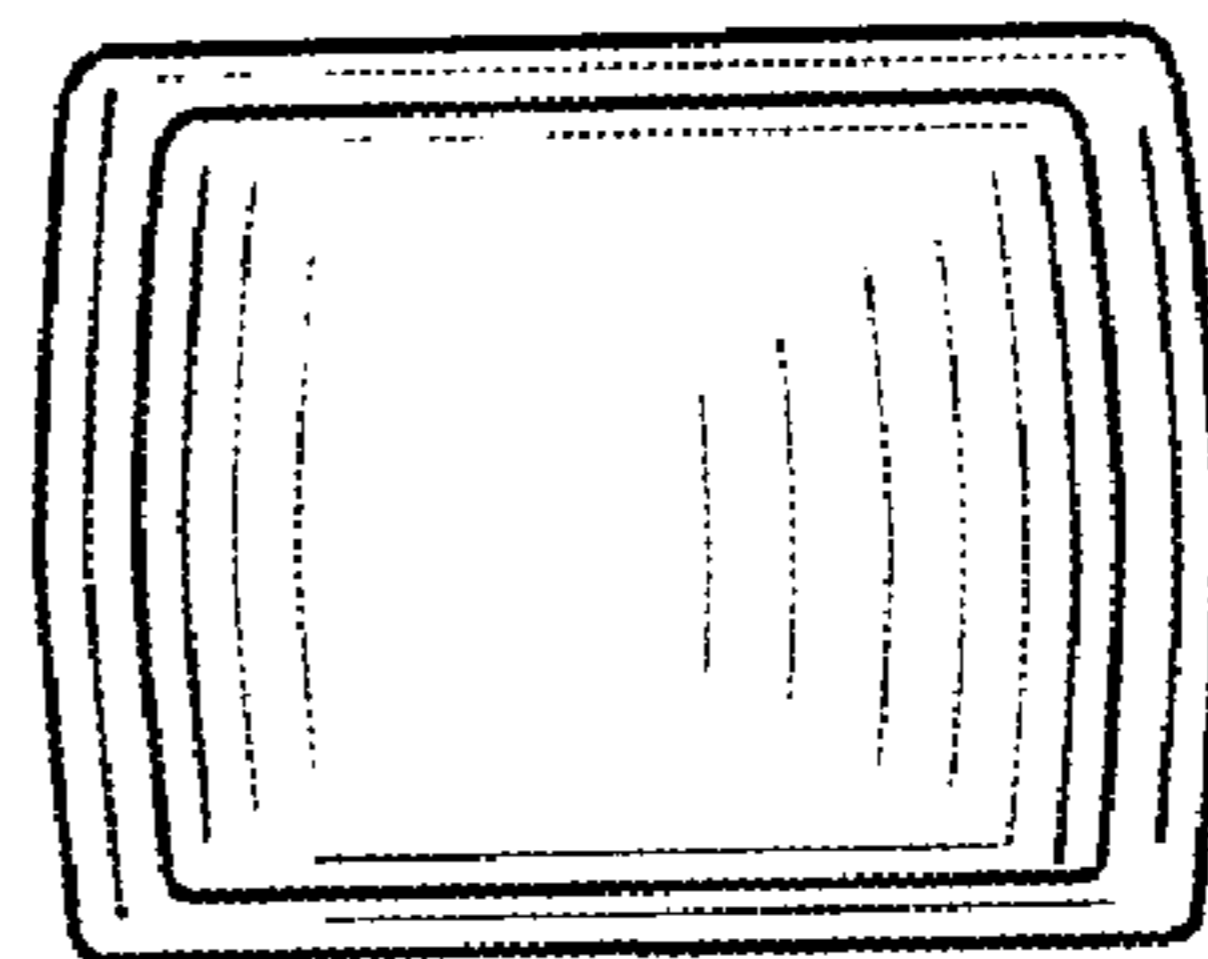


FIG. 11



**FIG. 12**



**FIG. 13**



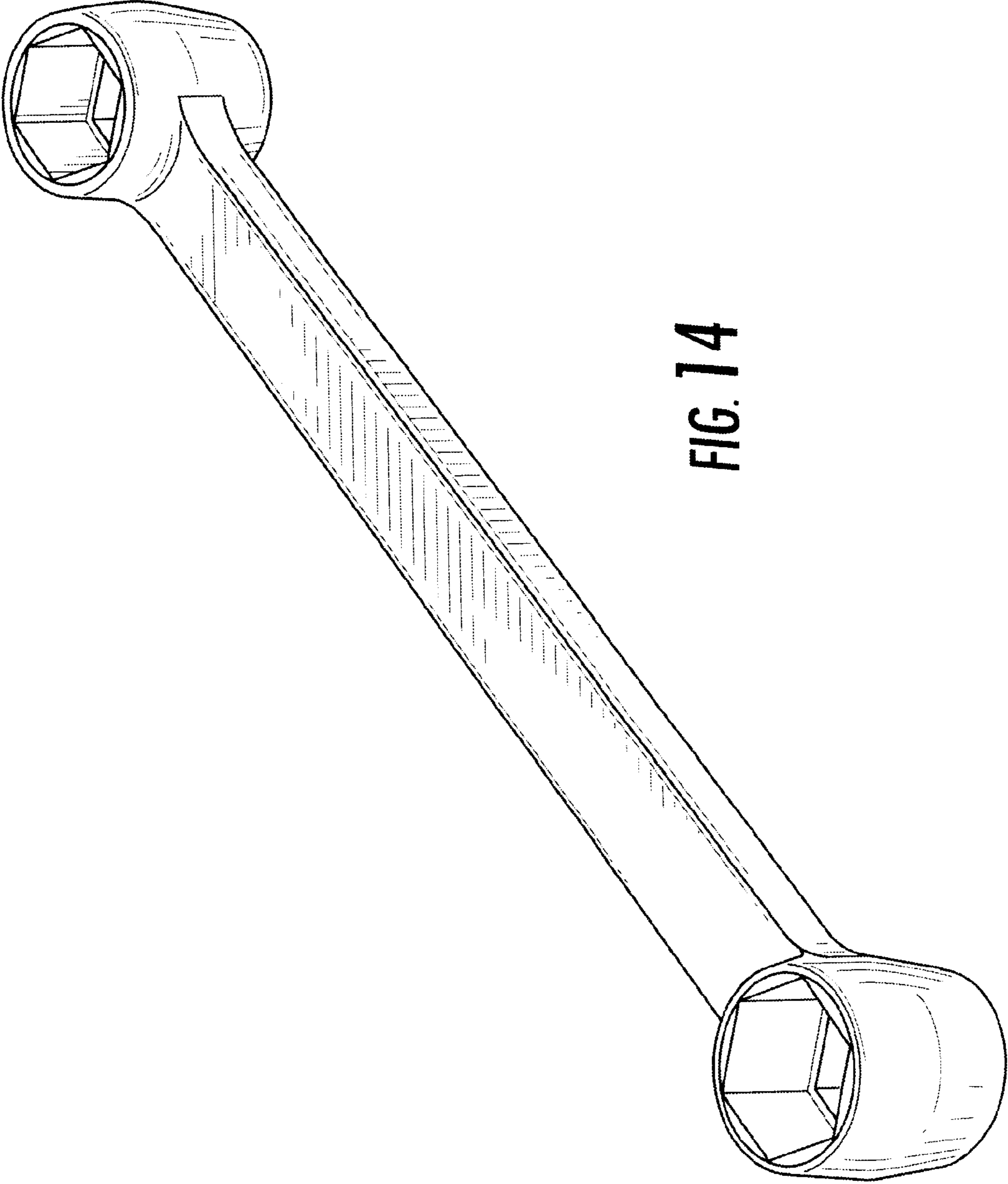


FIG. 14