



US00D514398S

(12) **United States Design Patent**
Feil

(10) **Patent No.:** **US D514,398 S**

(45) **Date of Patent:** **** Feb. 7, 2006**

(54) **FLUID STRAINER**

5,386,926 A * 2/1995 Assier 99/511
5,669,289 A * 9/1997 Chen 99/511

(75) **Inventor:** **Rolf Feil, Günzburg (DE)**

* cited by examiner

(73) **Assignee:** **BSH Bosch und Siemens Hausgeraete GmbH, Munich (DE)**

Primary Examiner—Terry A. Wallace

(74) *Attorney, Agent, or Firm*—John T. Winburn; Russell W. Warnock; Craig J. Loest

(**) **Term:** **14 Years**

(57) **CLAIM**

(21) **Appl. No.:** **29/218,024**

The ornamental design for a fluid strainer, as shown.

(22) **Filed:** **Nov. 24, 2004**

DESCRIPTION

(30) **Foreign Application Priority Data**

May 25, 2004 (EM) 000181854

FIG. 1 is a top perspective view of a fluid strainer showing my ornamental design;

(51) **LOC (8) Cl.** **07-04**

FIG. 2 is a bottom perspective view of the fluid strainer embodiment shown in FIG. 1;

(52) **U.S. Cl.** **D7/667; D7/400**

FIG. 3 is a front side view of the fluid strainer embodiment shown in FIG. 1;

(58) **Field of Classification Search** D7/665–668,
D7/400; 210/464, 465, 470–478, 498, 499;
99/495, 501–513

FIG. 4 is a left side view of the fluid strainer embodiment shown in FIG. 1;

See application file for complete search history.

FIG. 5 is a top view of the fluid strainer embodiment shown in FIG. 1; and,

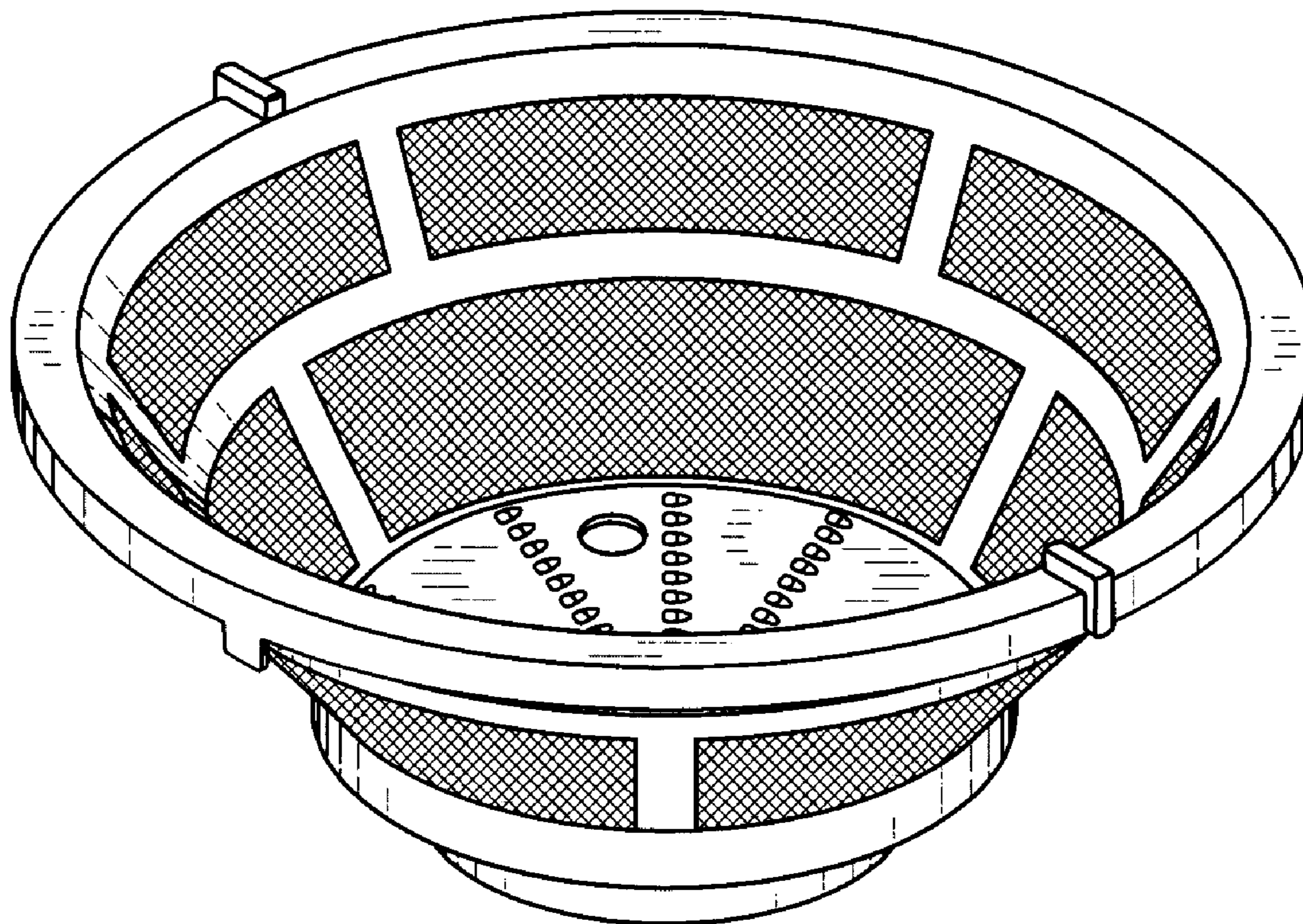
(56) **References Cited**

FIG. 6 is a bottom view of the fluid strainer embodiment shown in FIG. 1.

U.S. PATENT DOCUMENTS

D279,379 S * 6/1985 Uram D7/400

1 Claim, 6 Drawing Sheets



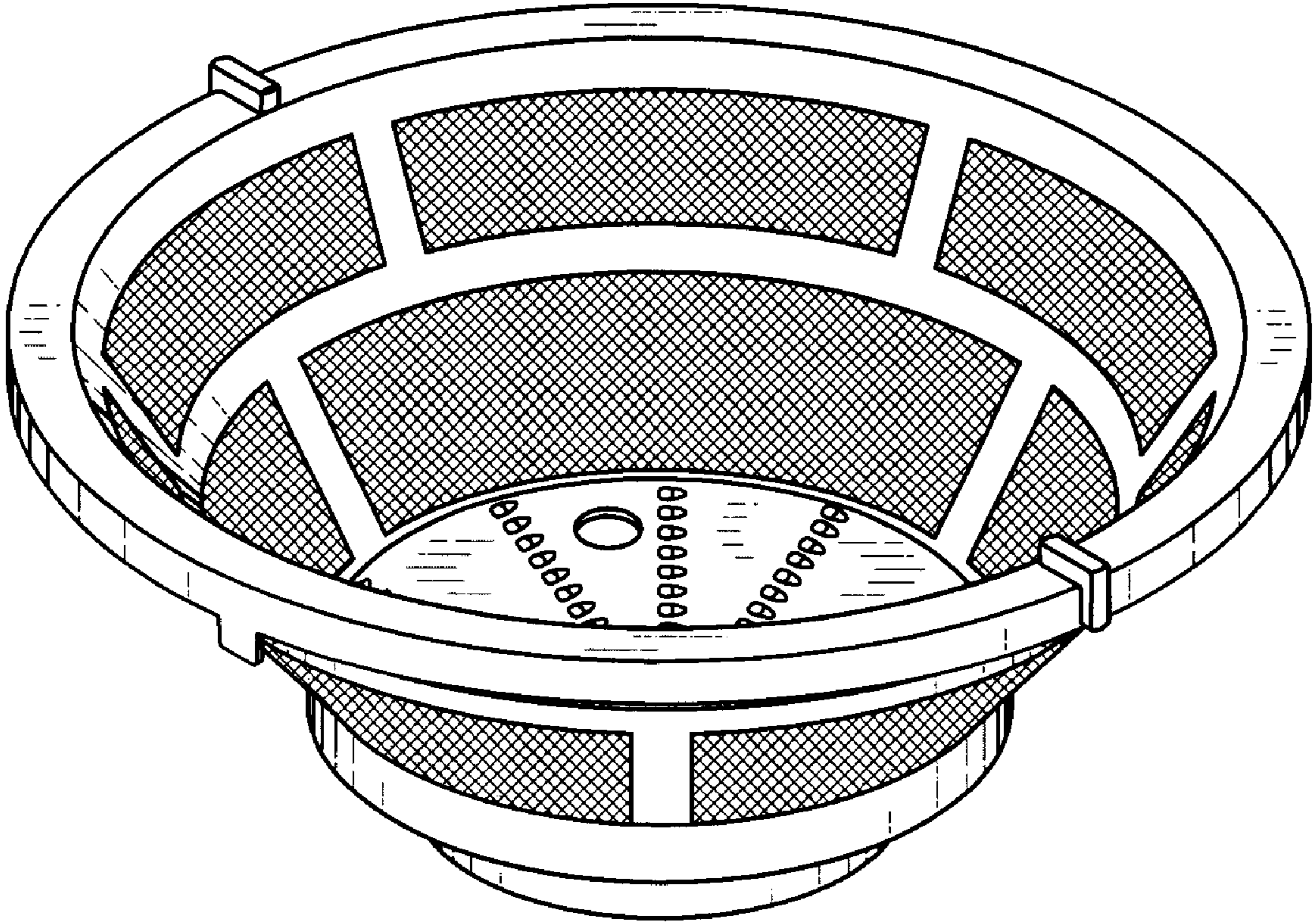


FIG. 1

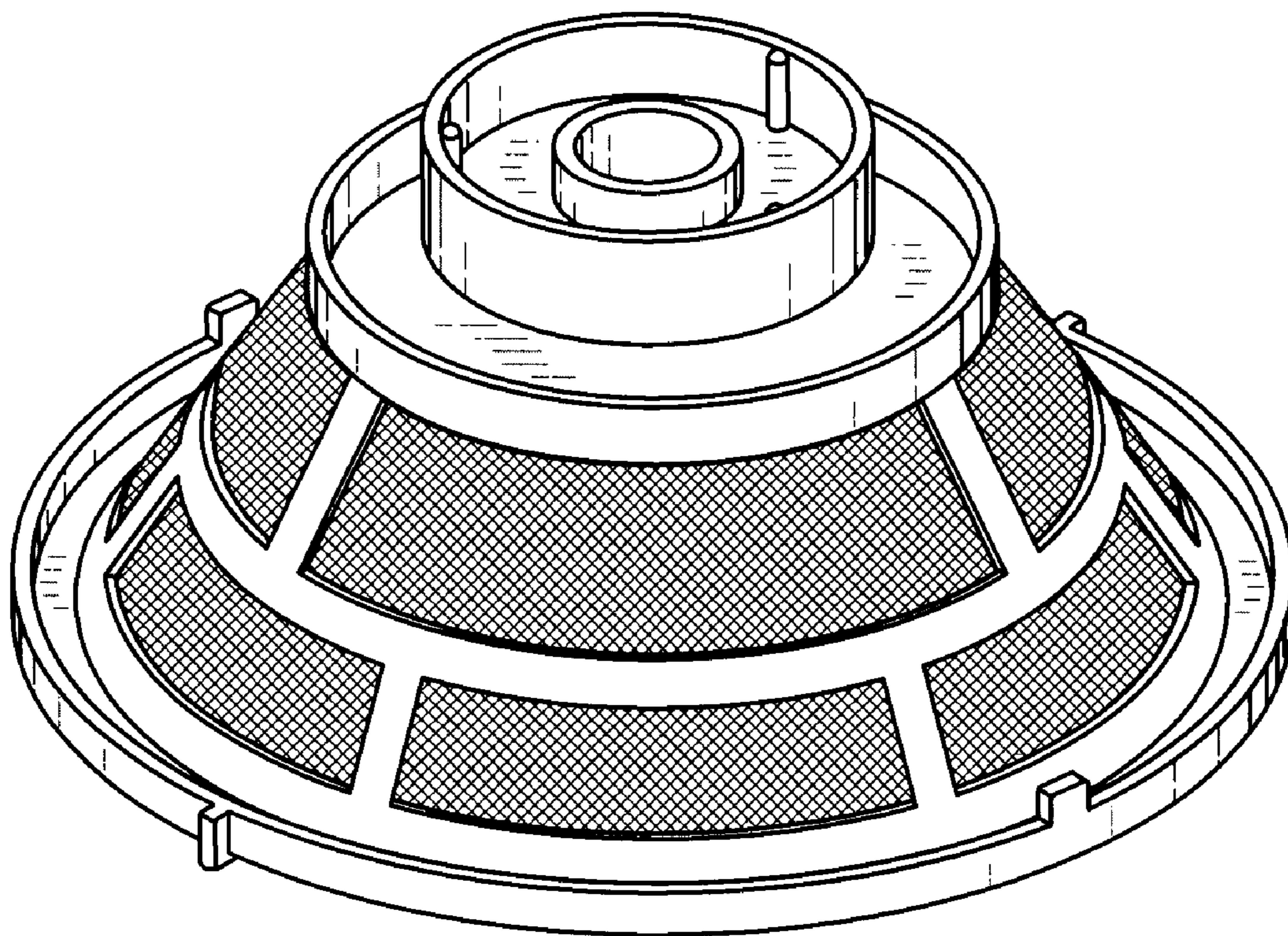


FIG. 2

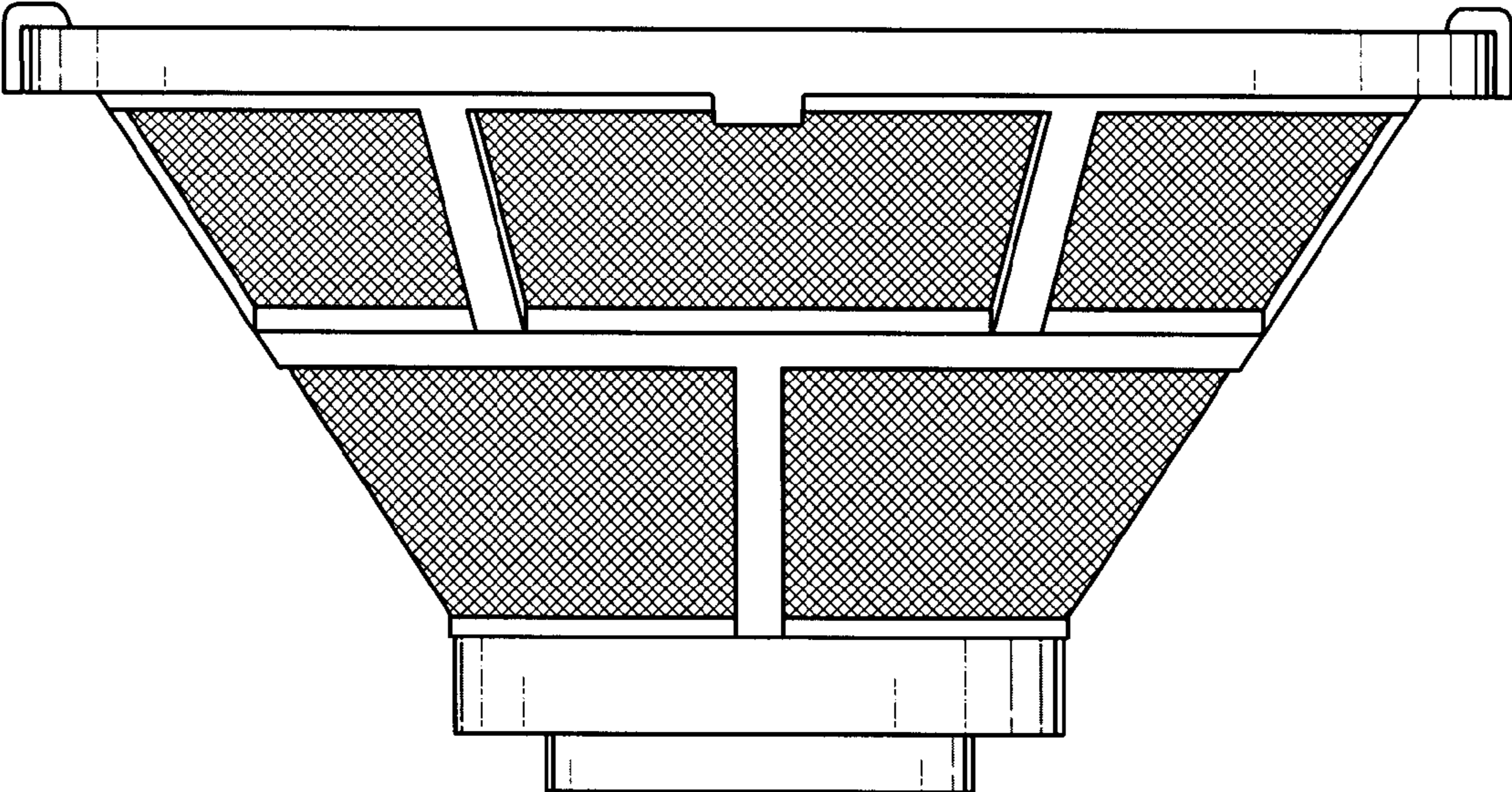


FIG. 3

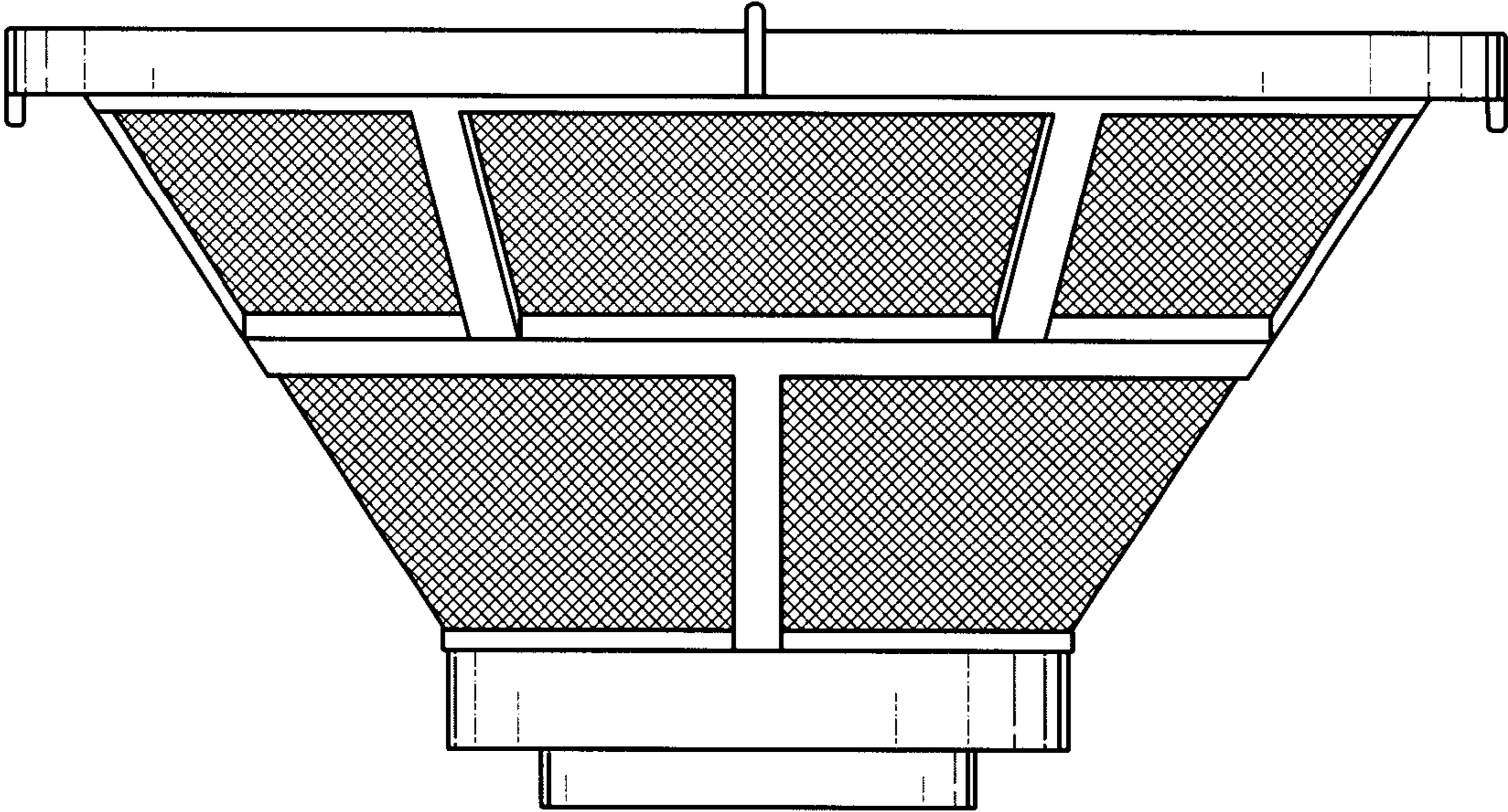


FIG. 4

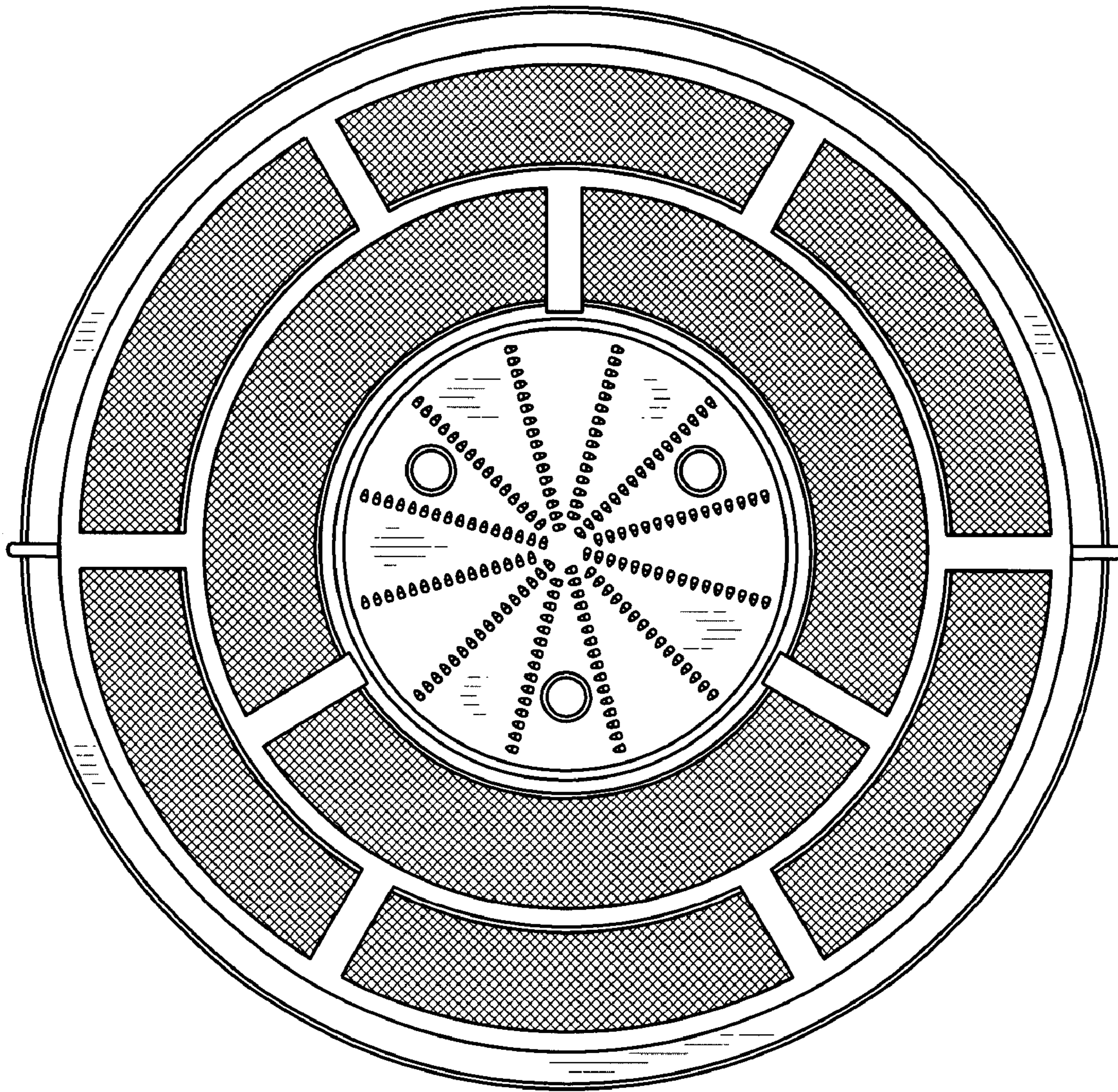


FIG. 5

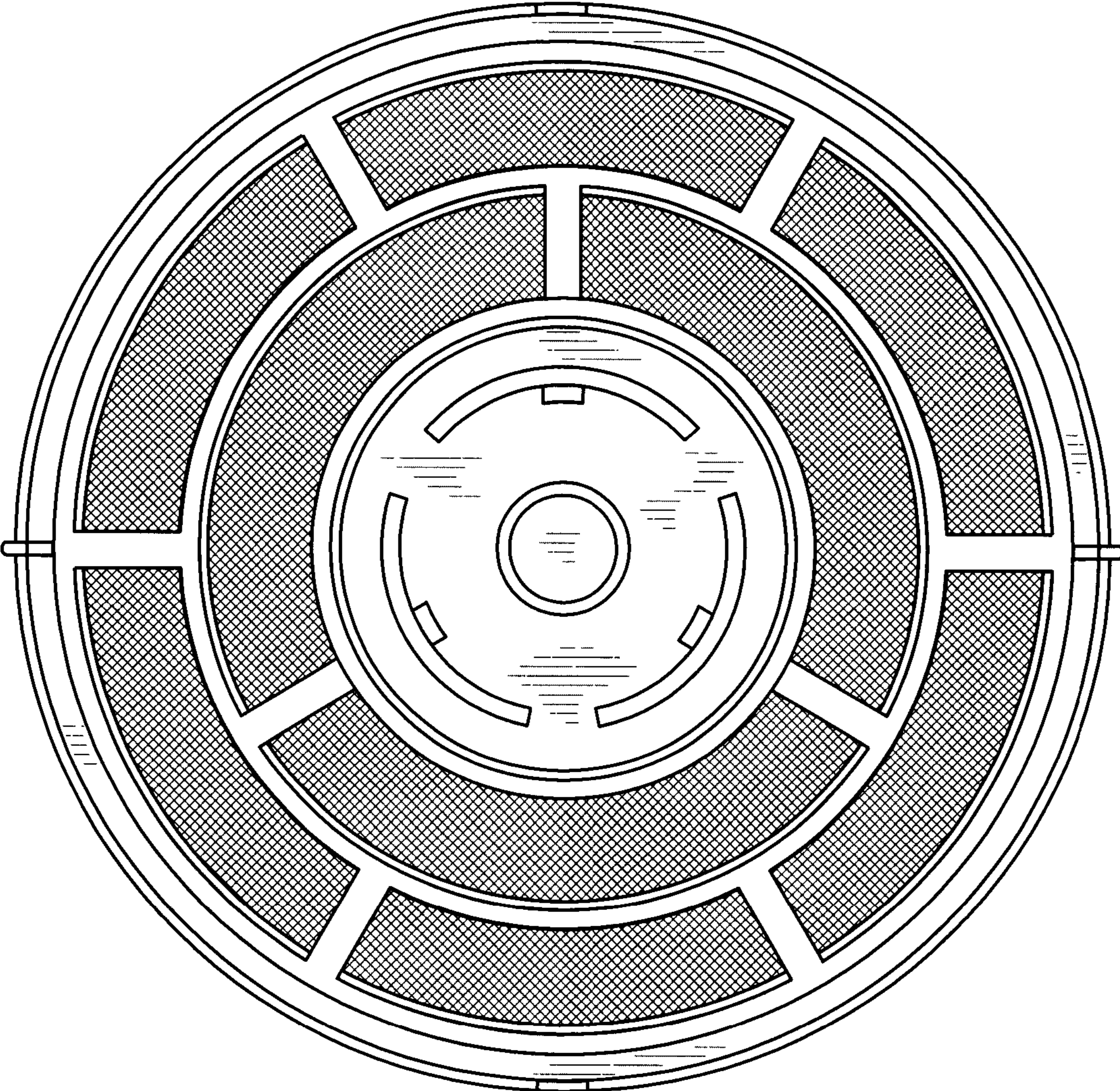


FIG. 6