



US00D514396S

(12) **United States Design Patent**
Feil

(10) **Patent No.:** **US D514,396 S**

(45) **Date of Patent:** **** Feb. 7, 2006**

(54) **JUICE SQUEEZER**

(75) **Inventor:** **Rolf Feil, Günzburg (DE)**

(73) **Assignee:** **BSH Bosch und Siemens Hausgeraete GmbH, Munich (DE)**

(**) **Term:** **14 Years**

(21) **Appl. No.:** **29/218,042**

(22) **Filed:** **Nov. 24, 2004**

(30) **Foreign Application Priority Data**

May 25, 2004 (EM) 000181854

(51) **LOC (8) Cl.** **31-00**

(52) **U.S. Cl.** **D7/665**

(58) **Field of Classification Search** D7/665,
D7/666, 372-374; 99/495, 492, 497, 499,
99/348, 357, 501-513; 241/33, 36, 37, 100,
241/282.2

See application file for complete search history.

(56) **References Cited**

U.S. PATENT DOCUMENTS

D309,083 S * 7/1990 Kahlcke D7/665

D333,947 S * 3/1993 Markee et al. D7/665
6,058,833 A * 5/2000 Ling et al. 99/510
D439,808 S * 4/2001 McClean et al. D7/665
6,412,404 B1 * 7/2002 Hsu 99/495

* cited by examiner

Primary Examiner—Terry A. Wallace

(74) *Attorney, Agent, or Firm*—John T. Winburn; Russell W. Warnock; Craig J. Loest

(57) **CLAIM**

The ornamental design for a juice squeezer, as shown and described.

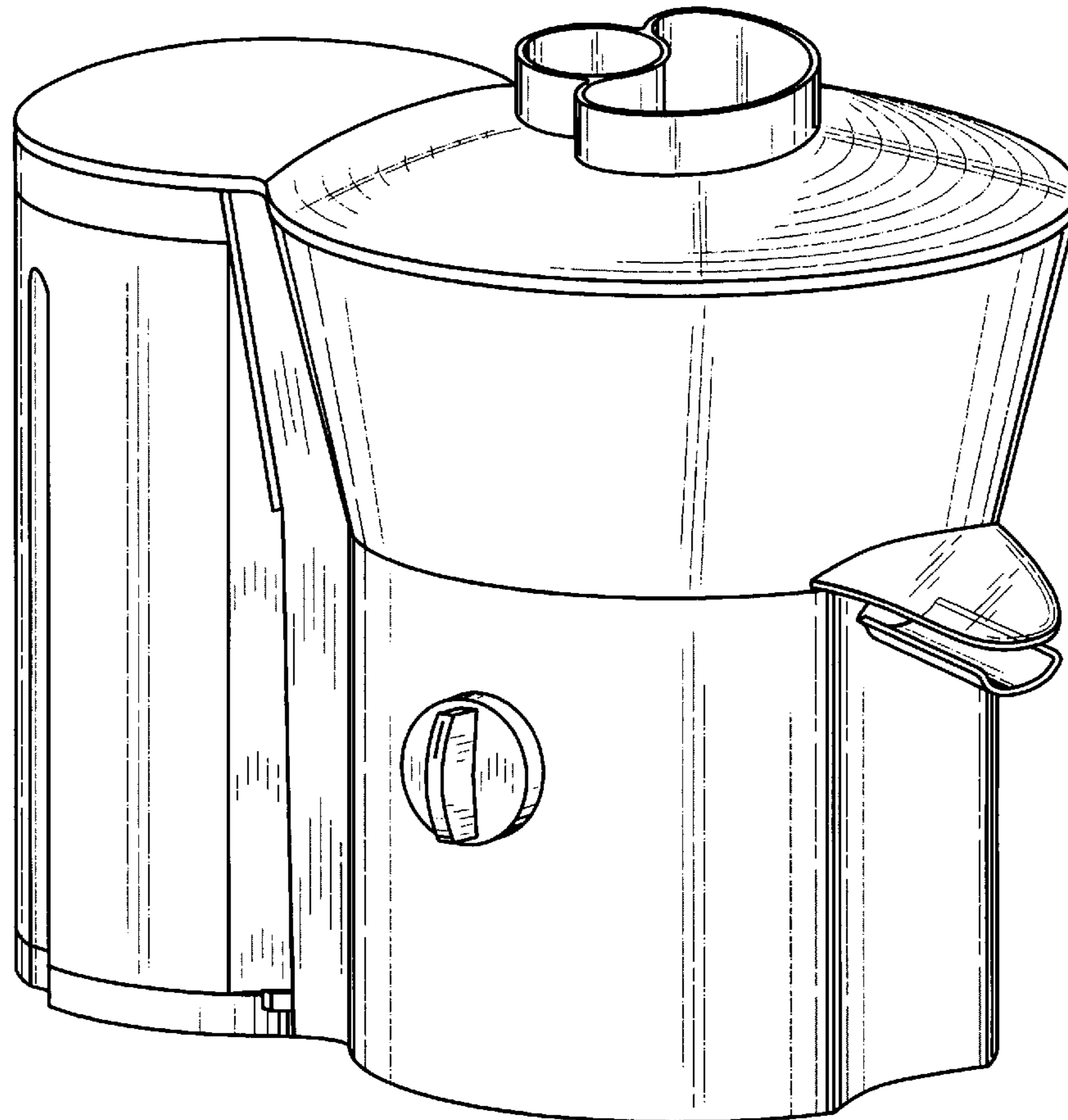
DESCRIPTION

FIG. 1 is a perspective view of the juice squeezer showing my ornamental design;

FIG. 2 is a perspective view of the juice squeezer embodiment shown in FIG. 1 with an inverted lid portion; and,

FIG. 3 is a top perspective view of a juice squeezer embodiment shown in FIG. 1.

1 Claim, 3 Drawing Sheets



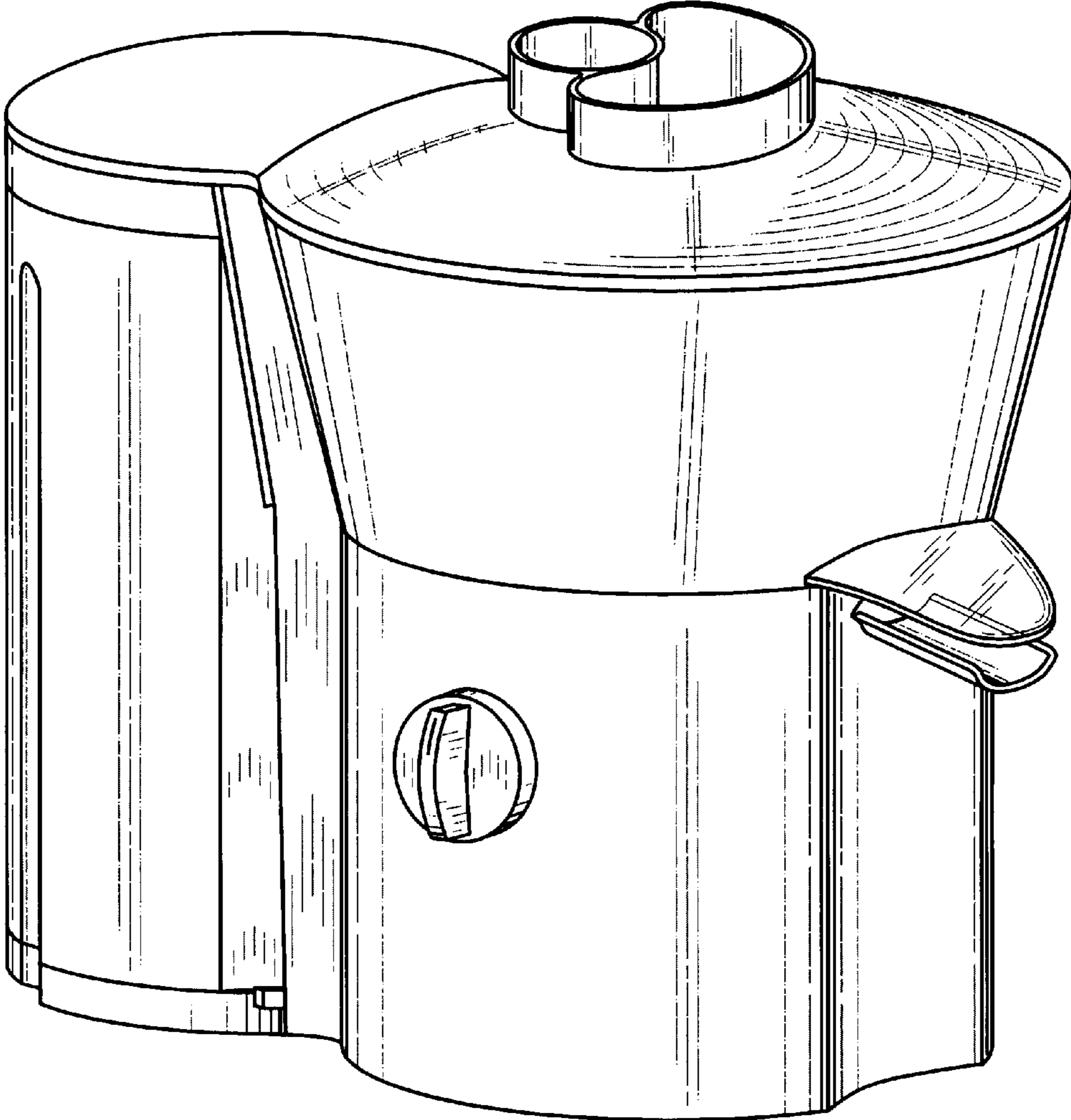


FIG. 1

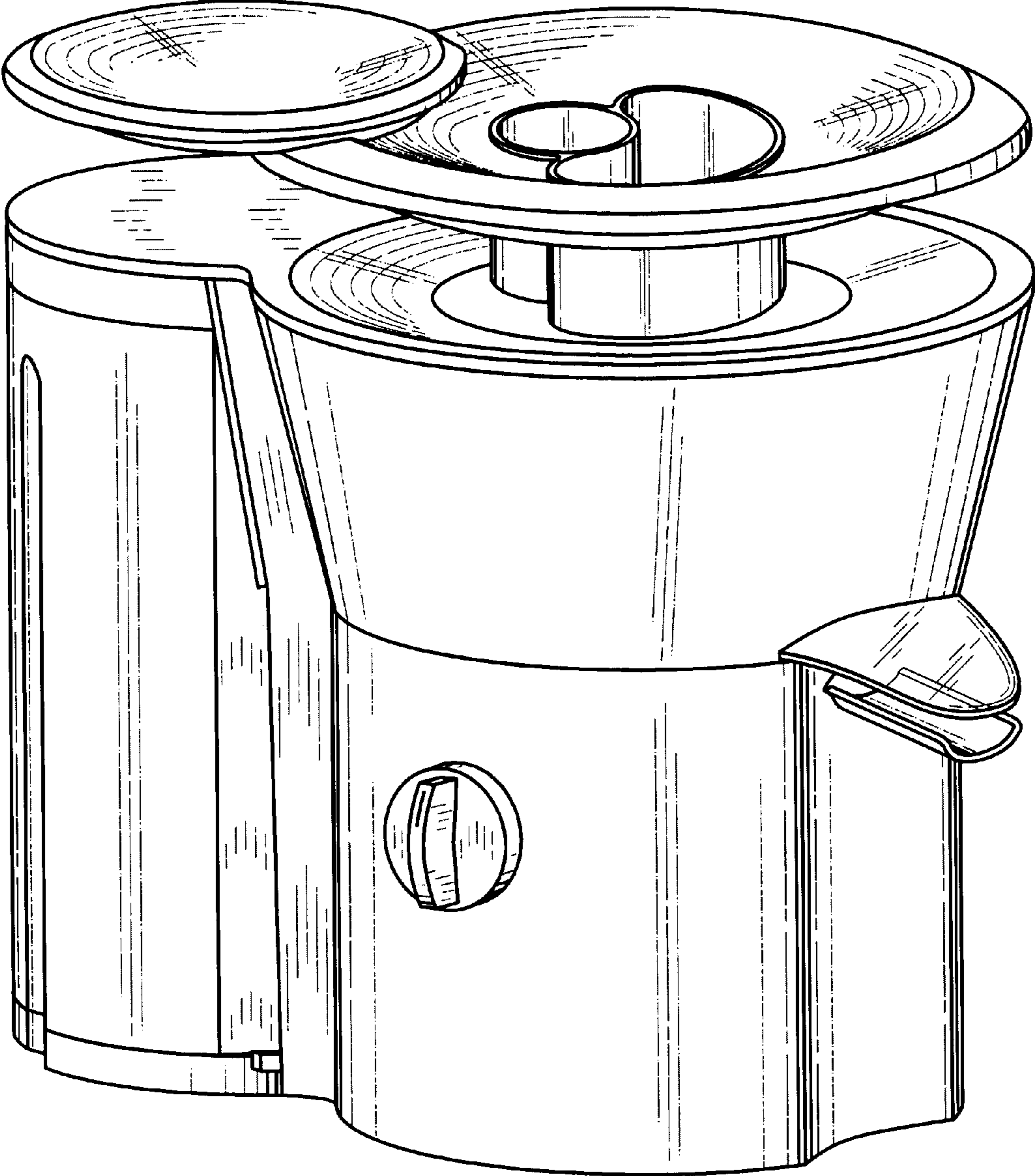


FIG. 2

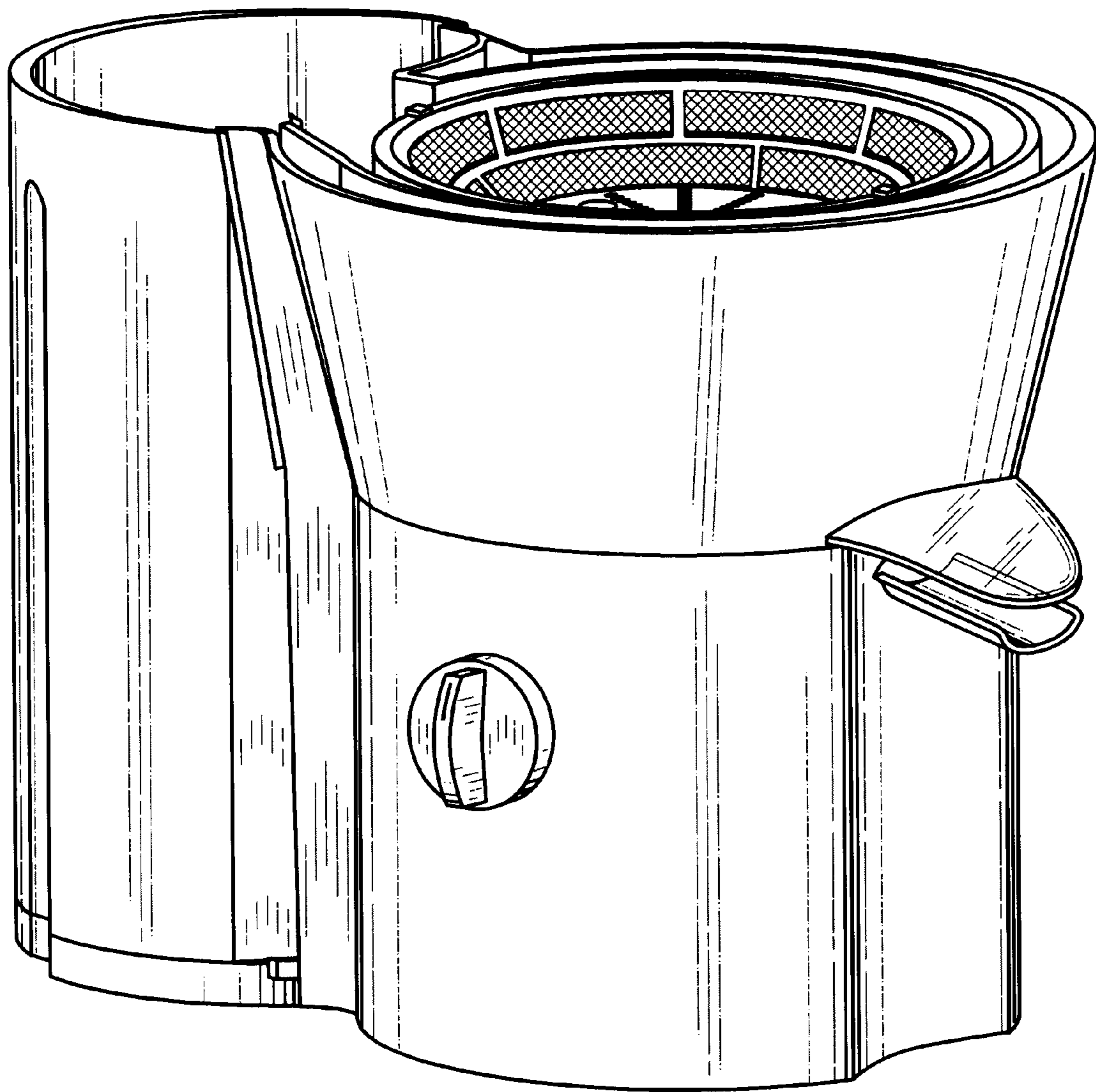


FIG. 3