



US00D514394S

(12) **United States Design Patent**
McWilliams

(10) **Patent No.:** **US D514,394 S**

(45) **Date of Patent:** **** Feb. 7, 2006**

(54) **KILTED BEVERAGE HOLDER**

(76) **Inventor:** **Catherine G. McWilliams**, 12002 110th Ave., Puyallup, WA (US) 98374-2135

(**) **Term:** **14 Years**

(21) **Appl. No.:** **29/211,793**

(22) **Filed:** **Aug. 23, 2004**

(51) **LOC (8) Cl.** **07-06**

(52) **U.S. Cl.** **D7/625**

(58) **Field of Classification Search** D7/619.1-625,
D7/605-608; 220/737-740, 903, 592.16,
220/592.17, 592.2, 592.24-592.27; 248/346.11,
248/309.1, 311.2; 62/457.1-157.7

See application file for complete search history.

(56) **References Cited**

U.S. PATENT DOCUMENTS

- D261,848 S * 11/1981 Hayden, Jr. D7/625
- D334,889 S * 4/1993 Condemi et al. D7/624.3
- D494,423 S * 8/2004 Wright D7/606

OTHER PUBLICATIONS

The Scottish Lion—<http://store.yahoo.com/scottishlion/can-nies.html>.

* cited by examiner

Primary Examiner—Terry A. Wallace

(74) *Attorney, Agent, or Firm*—Preston Gates Ellis & Rouvelas Meeds LLP

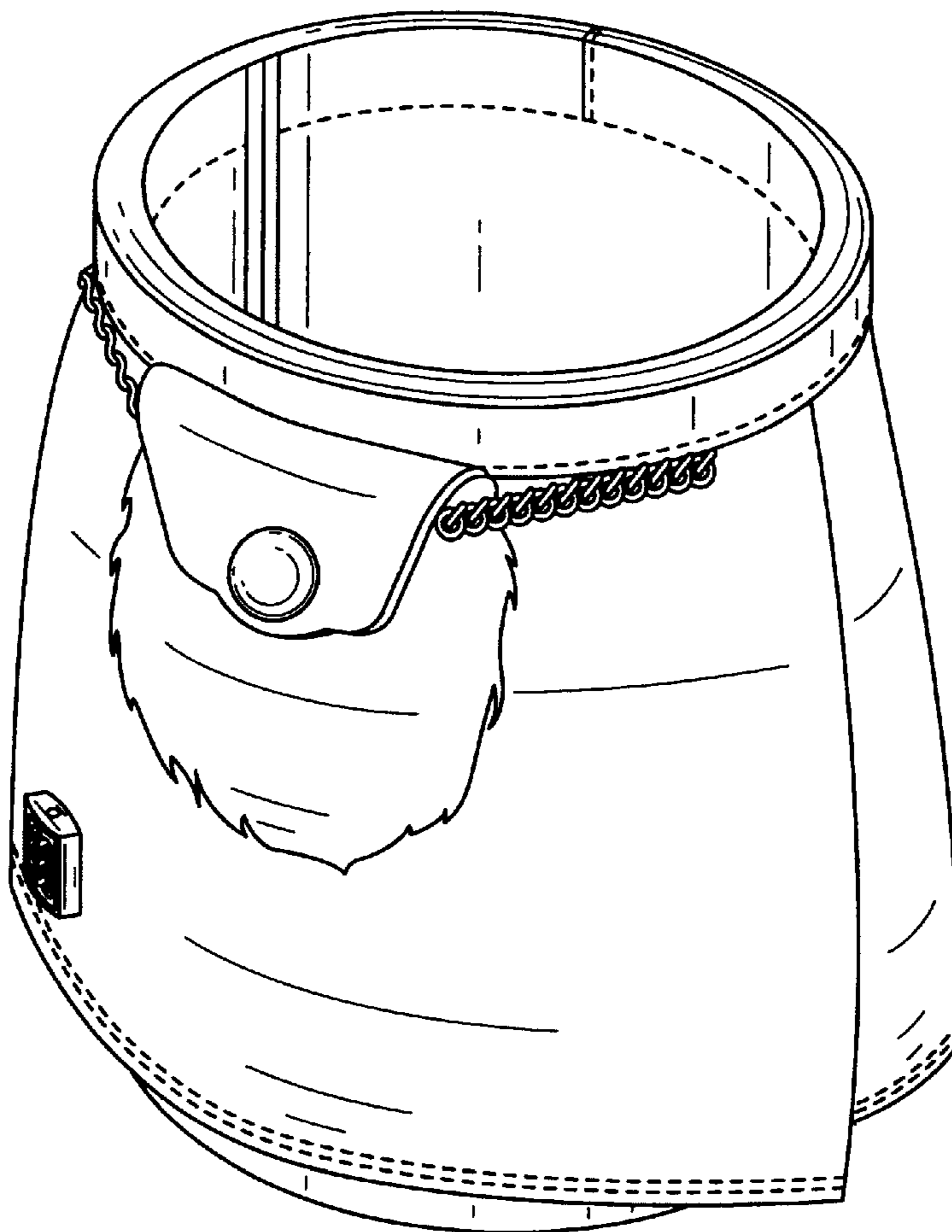
(57) **CLAIM**

The ornamental design for a kilted beverage holder, as shown and described.

DESCRIPTION

FIG. 1 is a perspective view of a kilted beverage holder showing my new design;
 FIG. 2 is a front view thereof;
 FIG. 3 is a back view thereof;
 FIG. 4 is a right side view thereof;
 FIG. 5 is a left side view thereof;
 FIG. 6 is a top view thereof; and,
 FIG. 7 is a bottom view thereof.

1 Claim, 7 Drawing Sheets



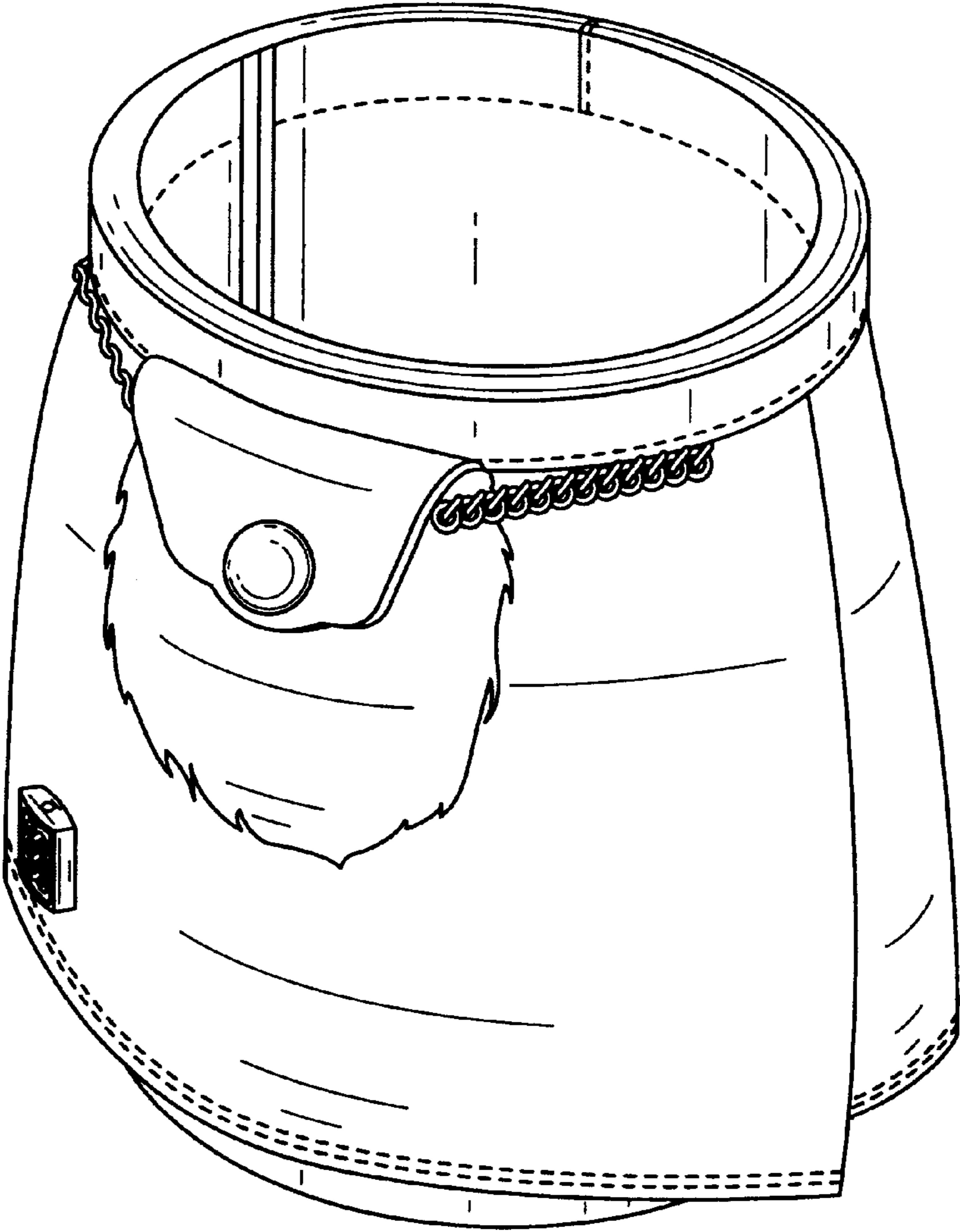


FIG. 1

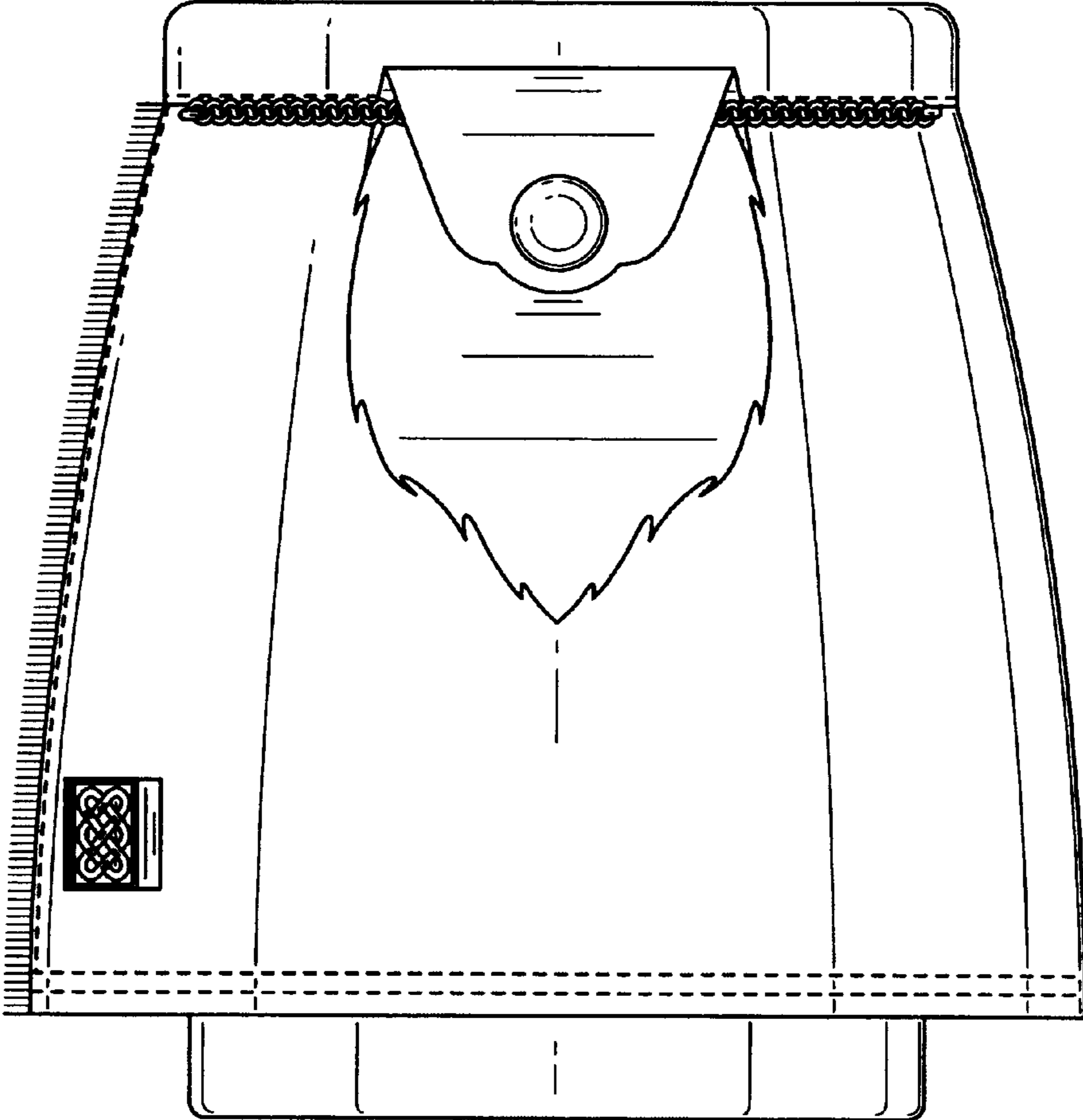


FIG. 2

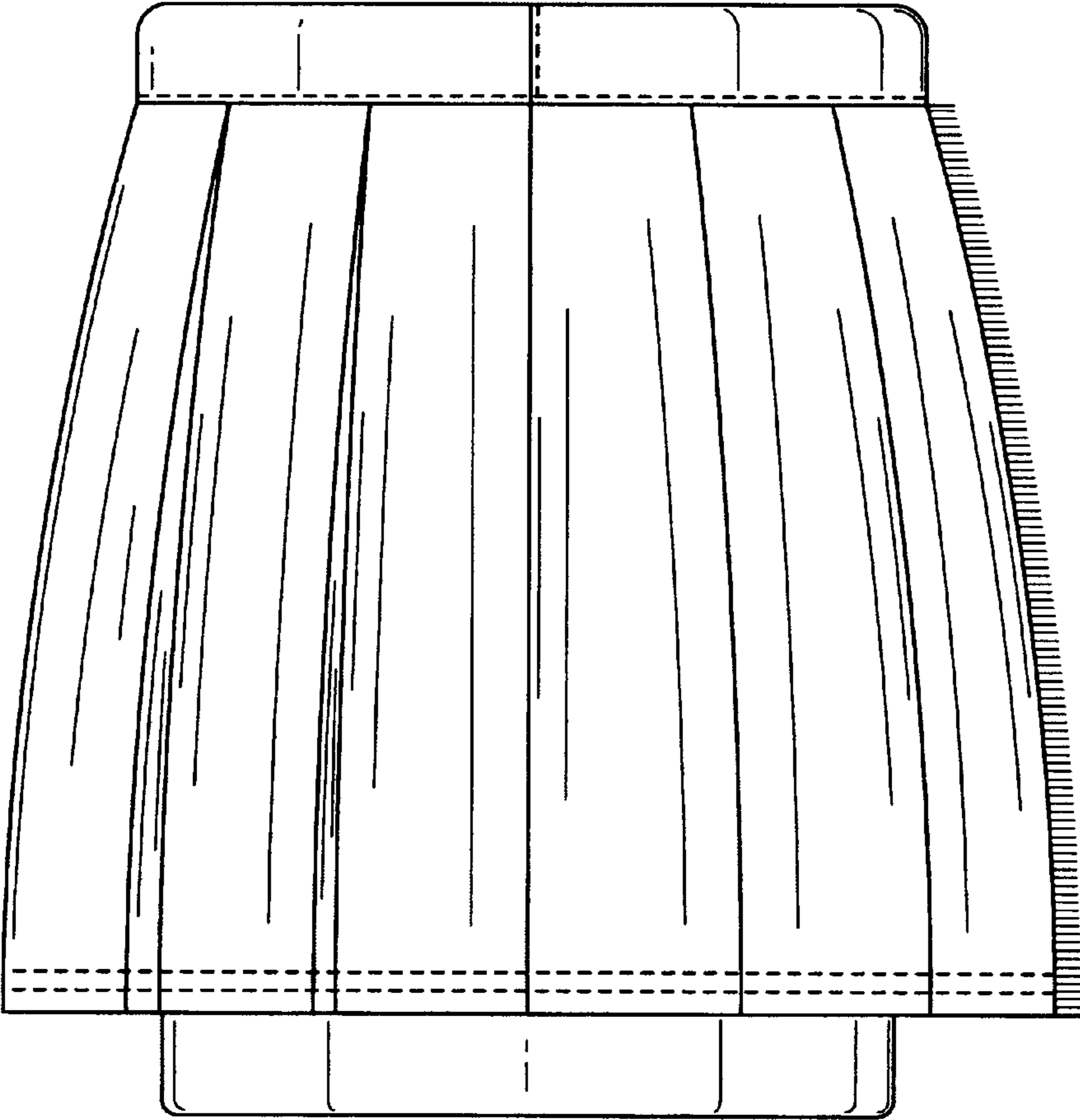


FIG. 3

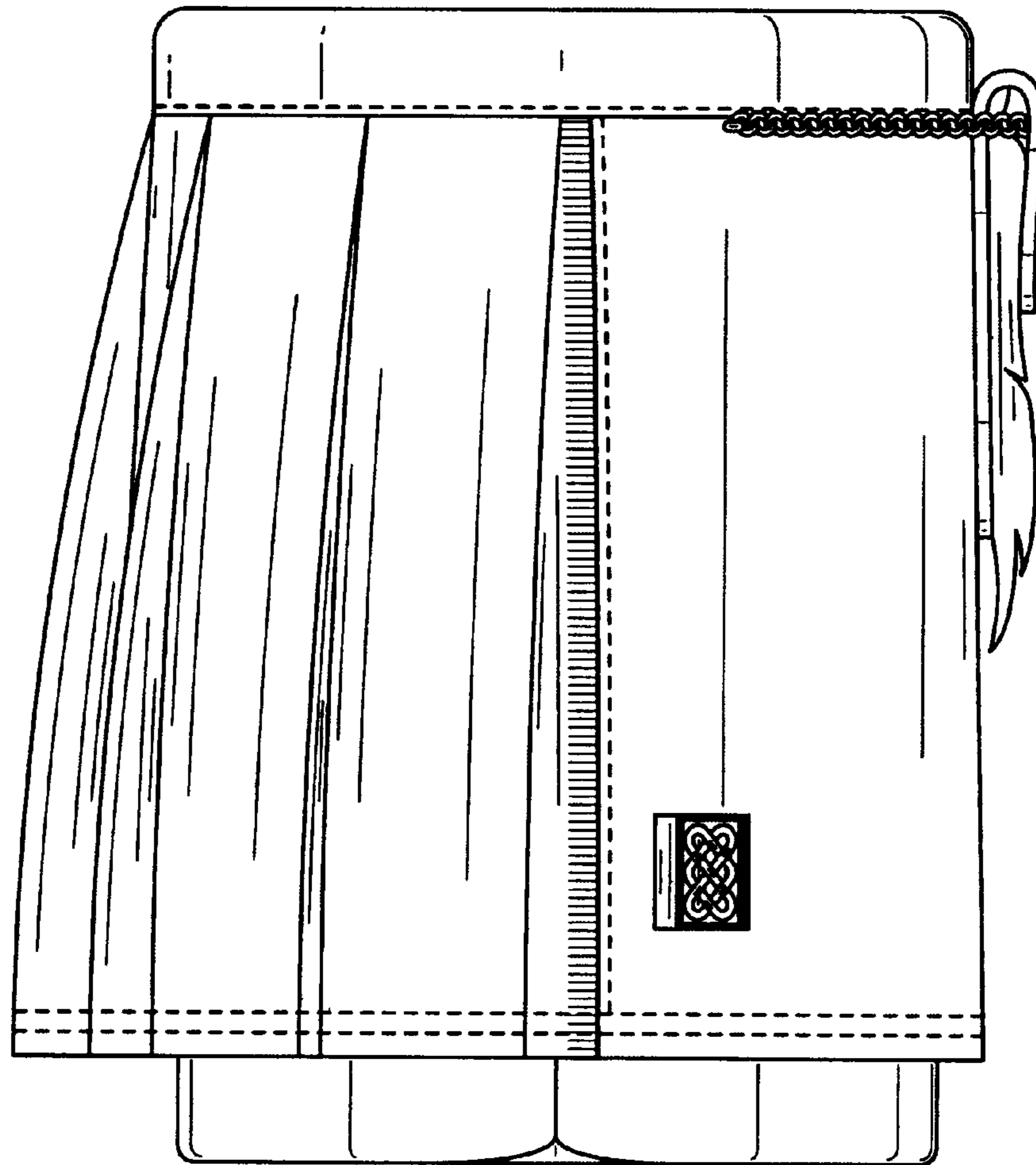


FIG. 4

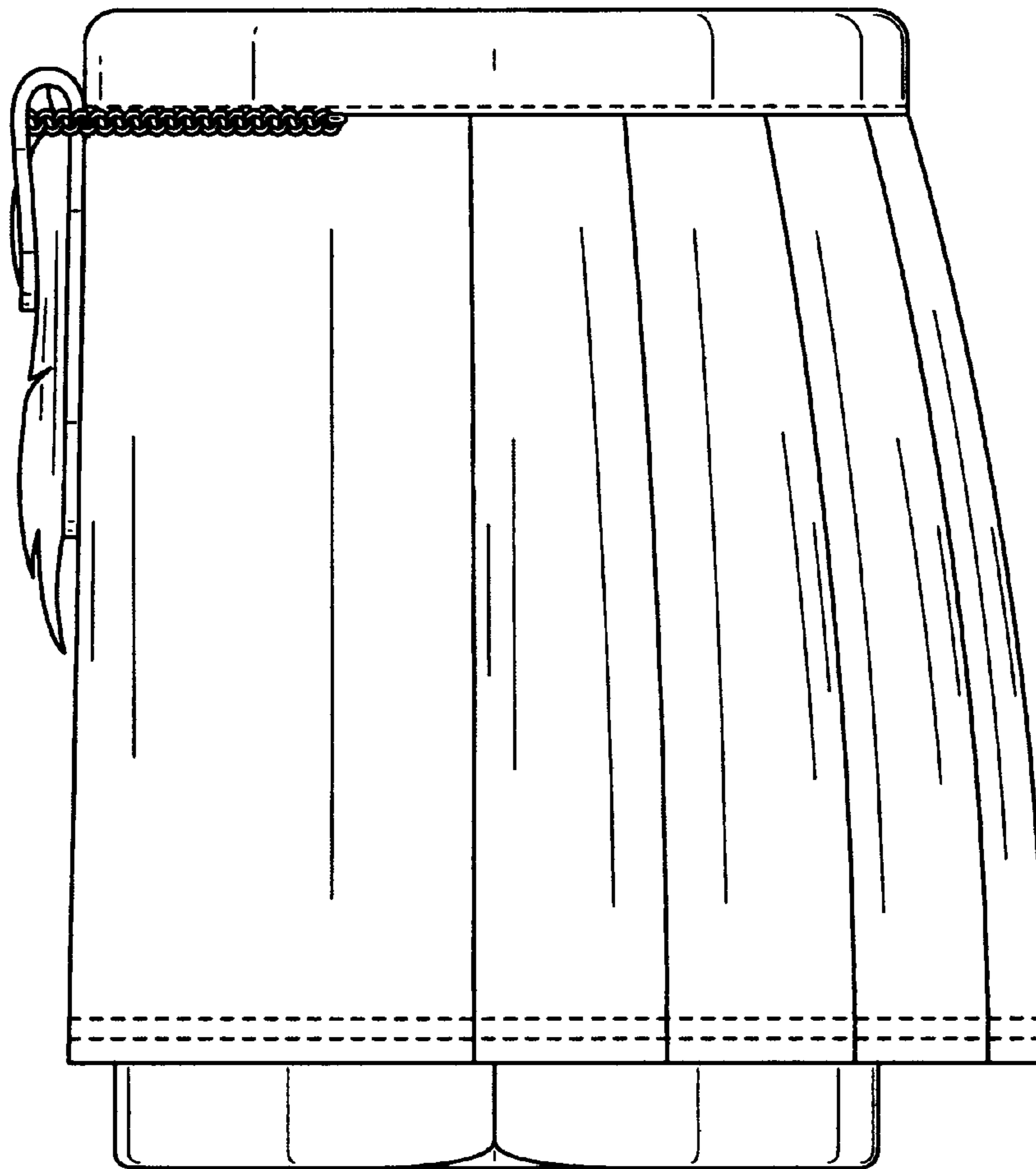


FIG. 5

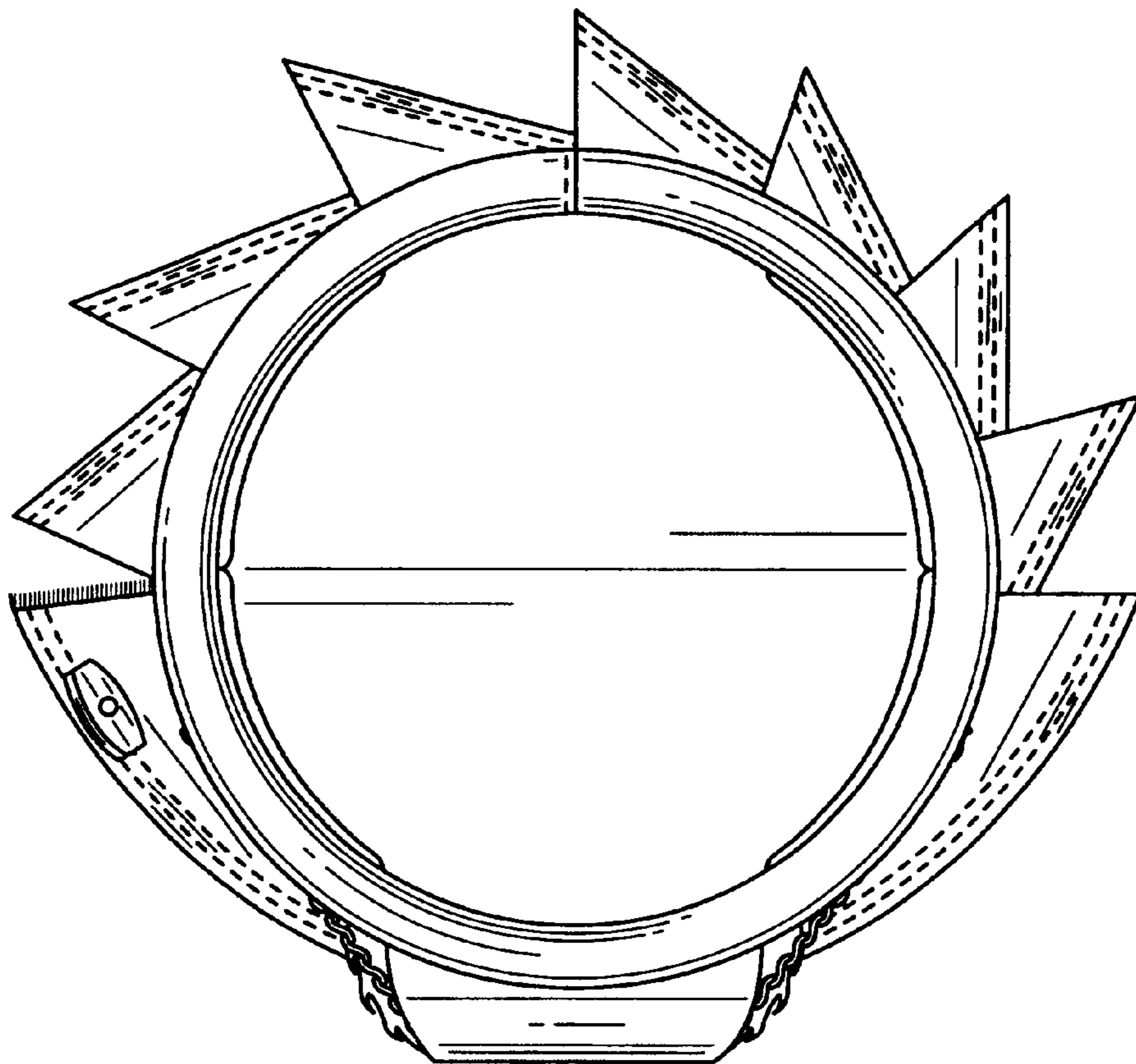


FIG. 6

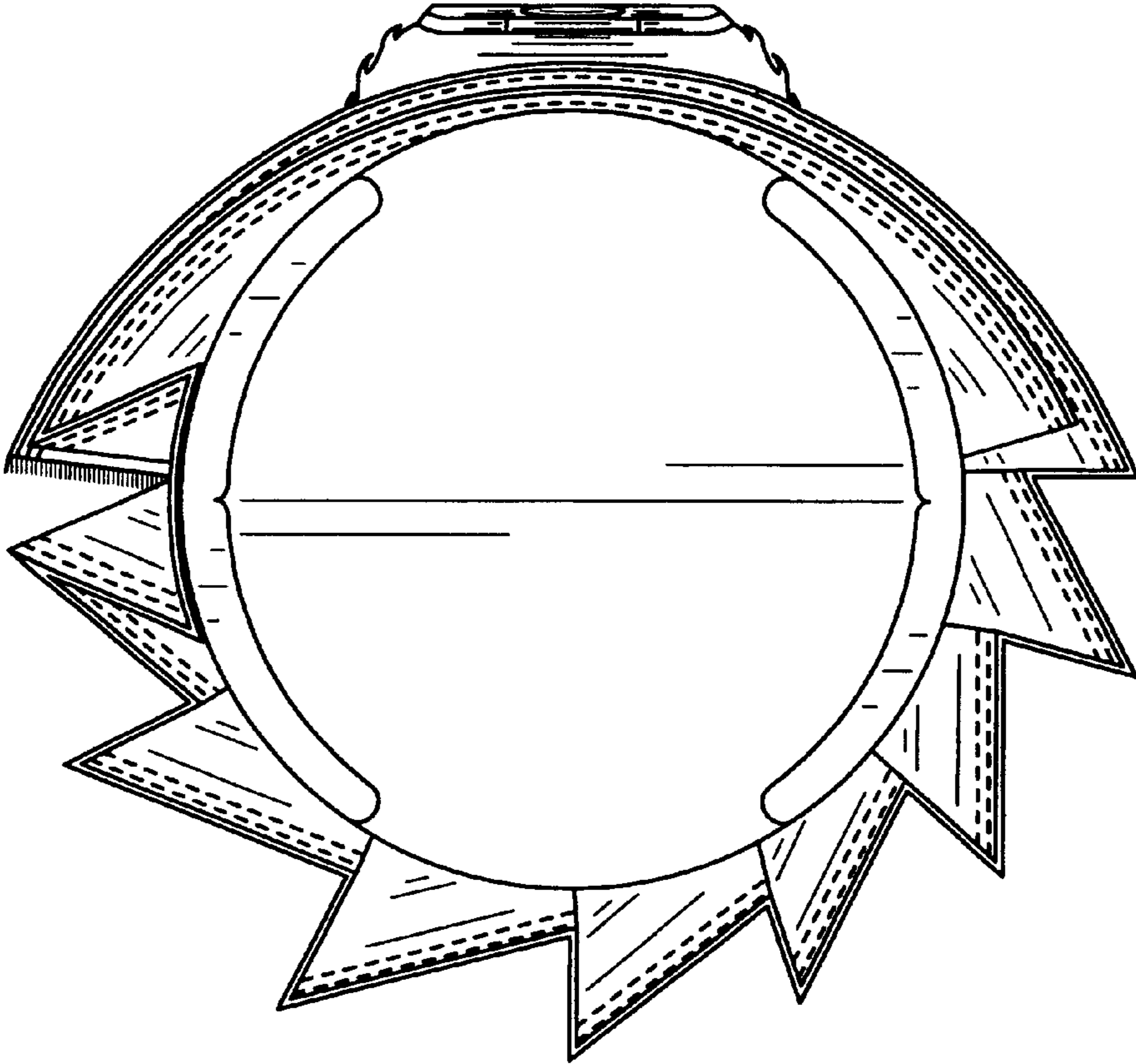


FIG. 7