

US00D514393S

(12) **United States Design Patent**
Bidne

(10) **Patent No.: US D514,393 S**

(45) **Date of Patent: ** Feb. 7, 2006**

(54) **BEVERAGE HOLDER**

(76) **Inventor: John L. Bidne**, 107 Bidne Dr., Senoia, GA (US) 30276-1416

(**) **Term: 14 Years**

(21) **Appl. No.: 29/211,815**

(22) **Filed: Aug. 19, 2004**

(51) **LOC (8) Cl. 07-06**

(52) **U.S. Cl. D7/620**

(58) **Field of Classification Search** D7/619.1-625, D7/605-608; 224/276, 482, 483, 926; 248/309.1, 248/103, 311.2, 310, 203.5, 203.6; 297/188.2, 297/188.21, 188.14, 188.18

See application file for complete search history.

(56) **References Cited**

U.S. PATENT DOCUMENTS

1,957,353 A	5/1934	Piersal
1,970,602 A	8/1934	Geistlinger
2,711,872 A	6/1955	Lampke
3,269,683 A	8/1966	Shinaver
4,063,701 A	12/1977	Wray
4,131,259 A	12/1978	Franks
4,735,388 A	4/1988	Marks
4,997,156 A	3/1991	Allen
D357,613 S	4/1995	Schultz
5,673,835 A	10/1997	Kalat
5,853,158 A	12/1998	Riggle

D404,975 S	*	2/1999	Fegan	D7/620
6,264,153 B1		7/2001	Ragner et al.		
6,505,802 B2		1/2003	Fowler		
2003/0047578 A1		3/2003	Barnett		

OTHER PUBLICATIONS

Cabela's Hunting, Fishing and Outdoor Gear, "Master Catalog," Spring 2004, p. 210, Edition I.

* cited by examiner

Primary Examiner—Terry A. Wallace

(74) *Attorney, Agent, or Firm*—Smith, Gambrell & Russell, LLP

(57) **CLAIM**

The ornamental design for a beverage holder, as shown and described.

DESCRIPTION

FIG. 1 is a perspective view of a beverage holder of the present invention;

FIG. 2 is a rear view thereof;

FIG. 3 is a front view thereof;

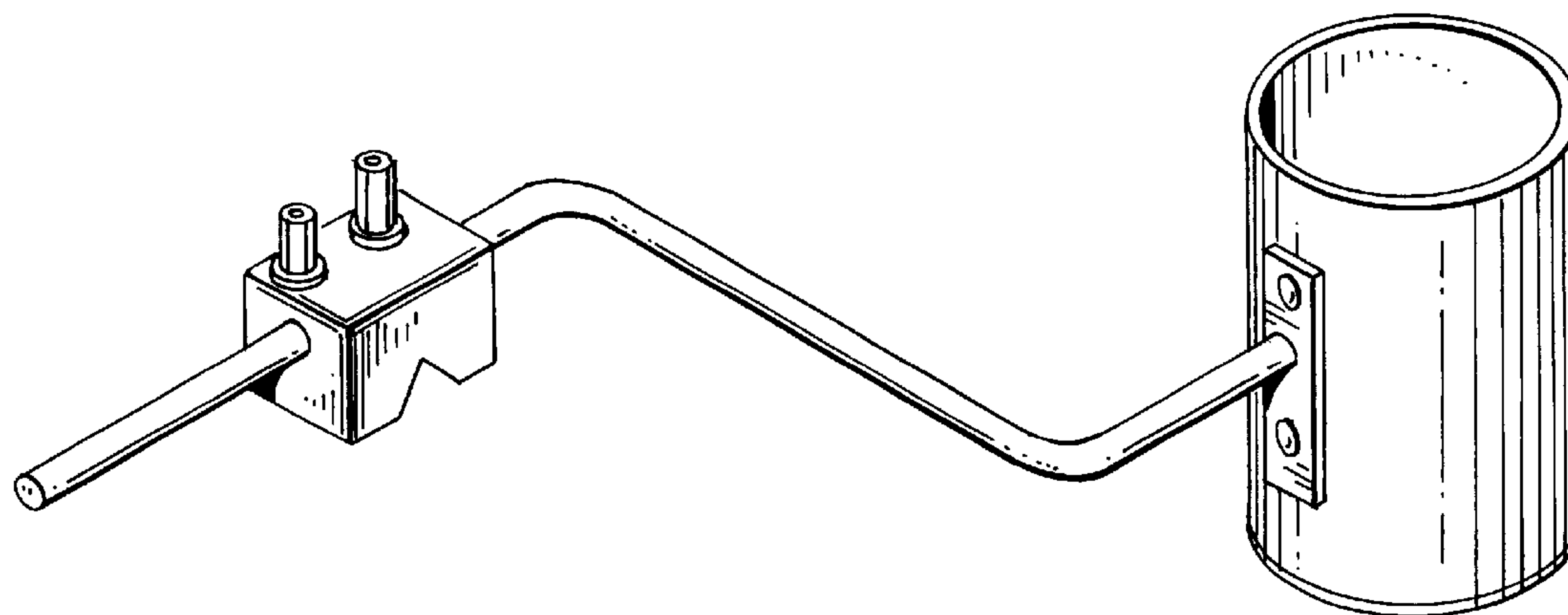
FIG. 4 is a top plan view thereof;

FIG. 5 is a left side view thereof;

FIG. 6 is a bottom plan view thereof; and,

FIG. 7 is a right side view thereof.

1 Claim, 3 Drawing Sheets



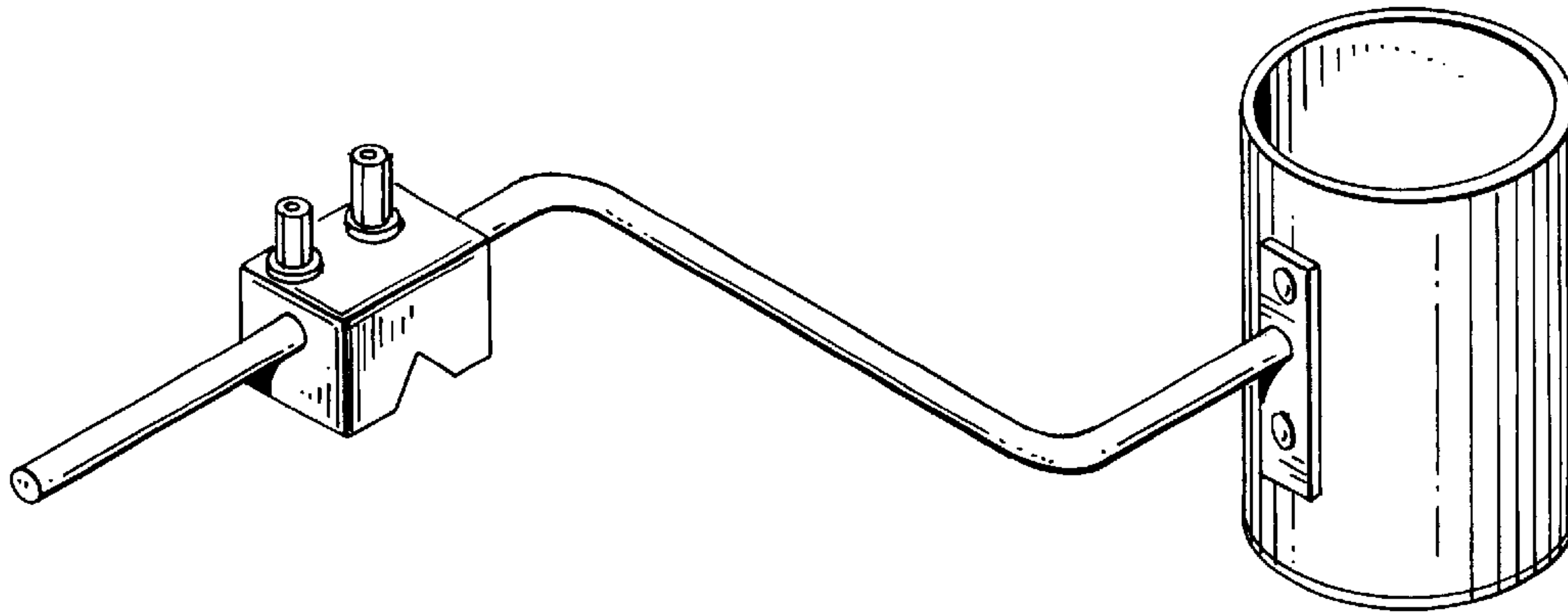
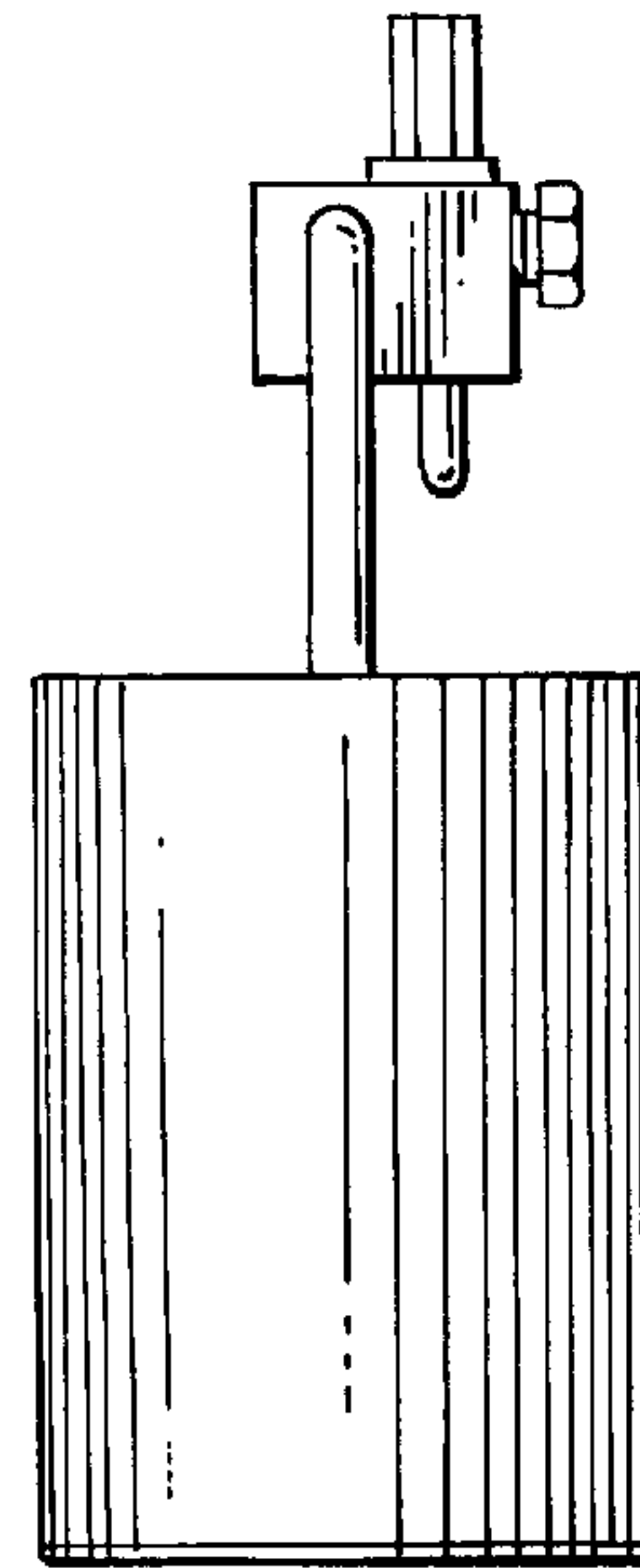
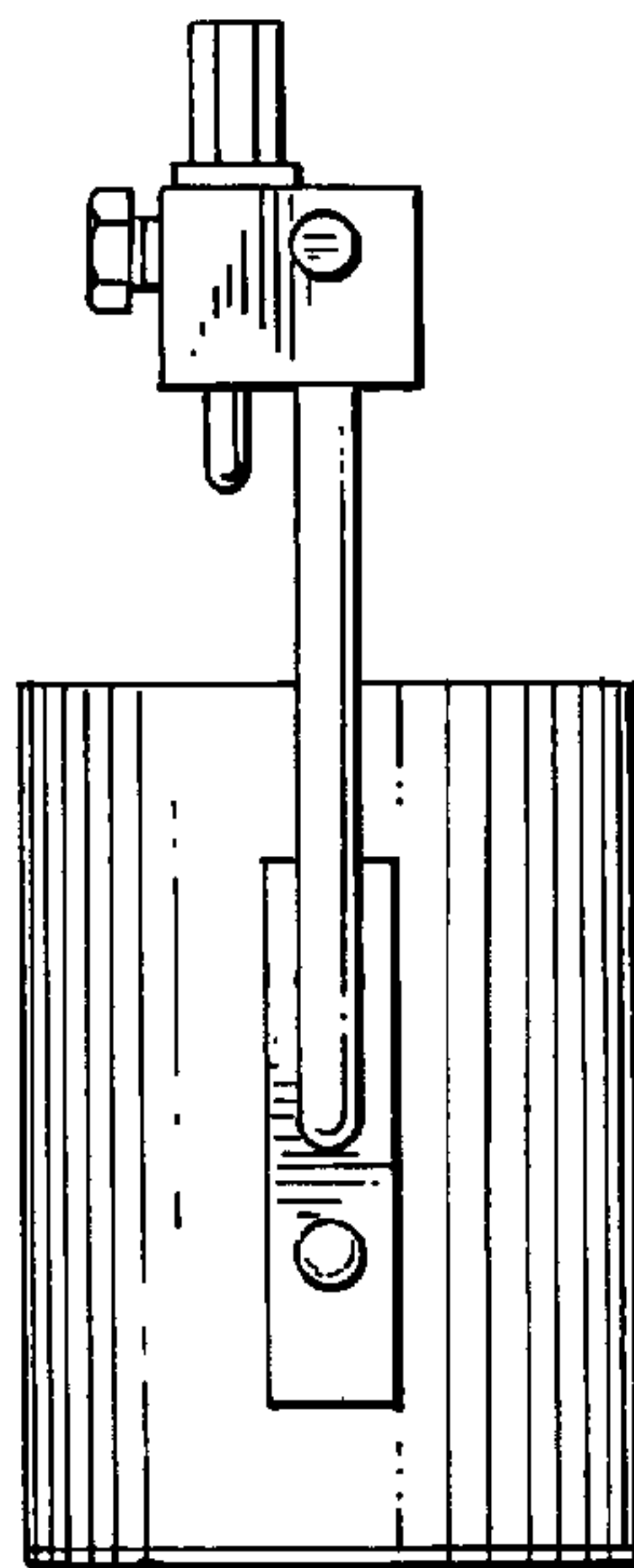


Fig. 1

Fig. 2

Fig. 3



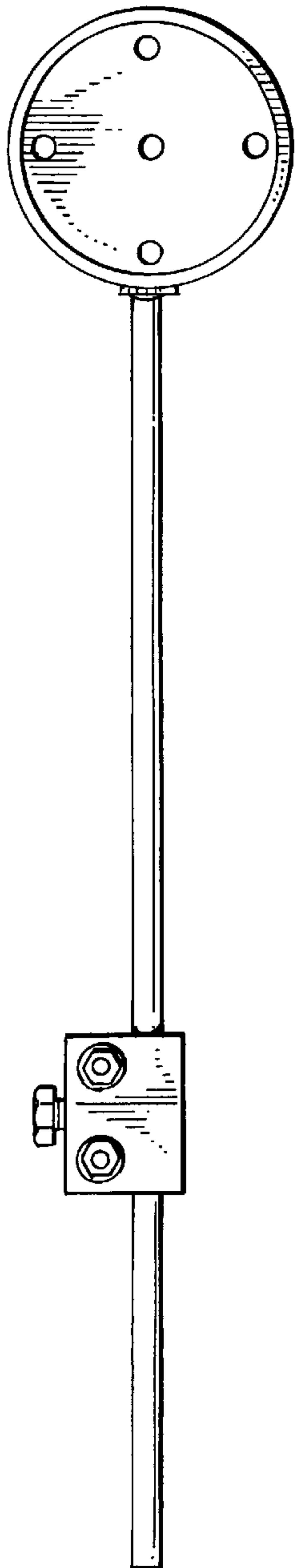


Fig. 4

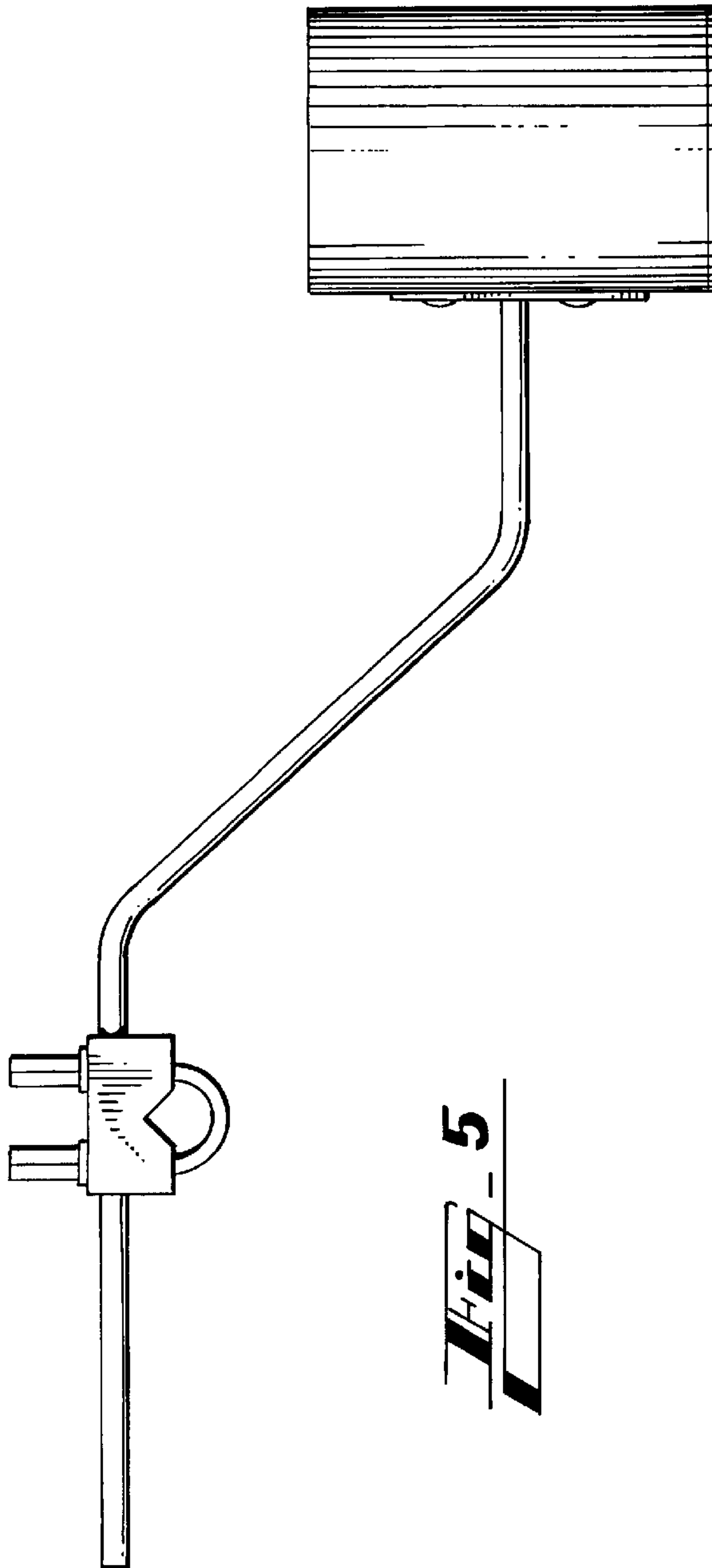


Fig. 5

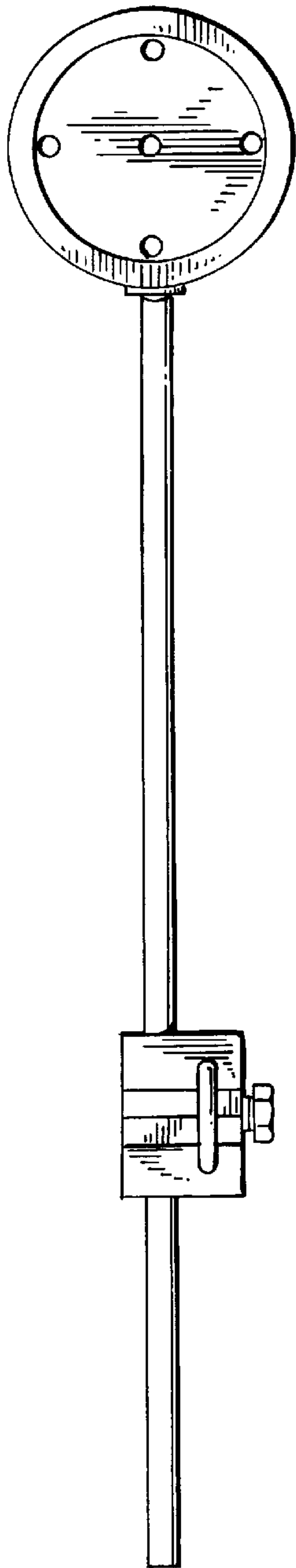


Fig. 6

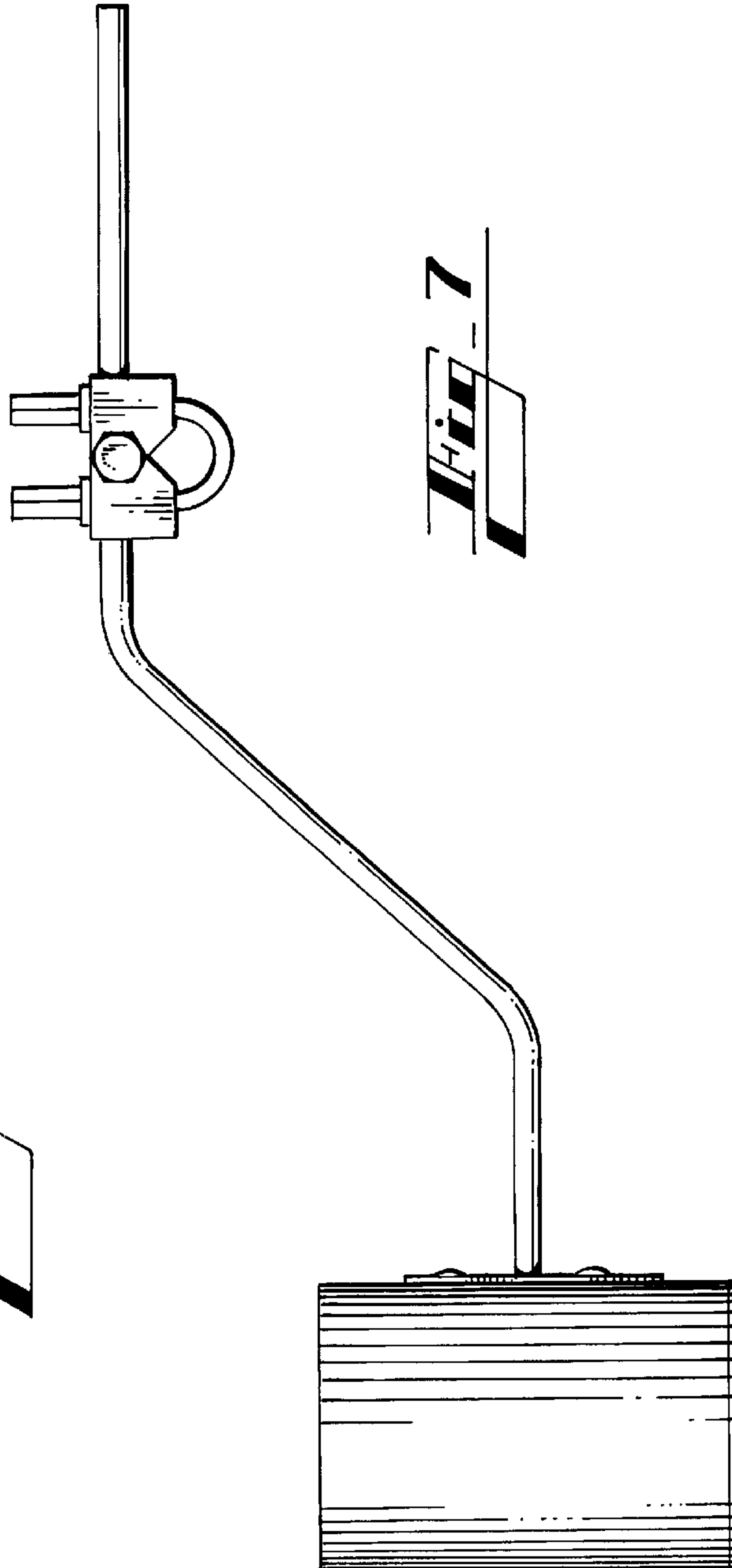


Fig. 7