



US00D514391S

(12) **United States Design Patent**
Miesieski et al.

(10) **Patent No.: US D514,391 S**

(45) **Date of Patent: ** Feb. 7, 2006**

(54) **REMOTE CONTROL COOLER**

(75) Inventors: **Brian Miesieski**, Stamford, CT (US);
Devin Kelly, Norwalk, CT (US); **Geoff
Blanck**, Fairfield, CT (US)

(73) Assignee: **Labatt Brewing Company Limited**,
London (CA)

(**) Term: **14 Years**

(21) Appl. No.: **29/205,989**

(22) Filed: **May 25, 2004**

(51) **LOC (8) Cl.** **07-01**

(52) **U.S. Cl.** **D7/605**

(58) **Field of Classification Search** D7/605-608;
D34/12, 19, 24, 25; 62/371, 3.62, 457.1-457.7;
220/915.1, 915.2, 592.01, 592.03, 592.09,
220/592.16; 280/651, 652, 645, 47.34, 47.371,
280/29, 30, 43.1

See application file for complete search history.

(56) **References Cited**

U.S. PATENT DOCUMENTS

D340,620 S * 10/1993 Peters D7/605

5,407,218 A * 4/1995 Jackson 280/30
5,465,985 A * 11/1995 Devan et al. 280/30
D412,267 S * 7/1999 Anderson D7/605
D429,606 S * 8/2000 Israel et al. D7/605

* cited by examiner

Primary Examiner—Terry A. Wallace

(74) *Attorney, Agent, or Firm*—Levy & Grandinetti

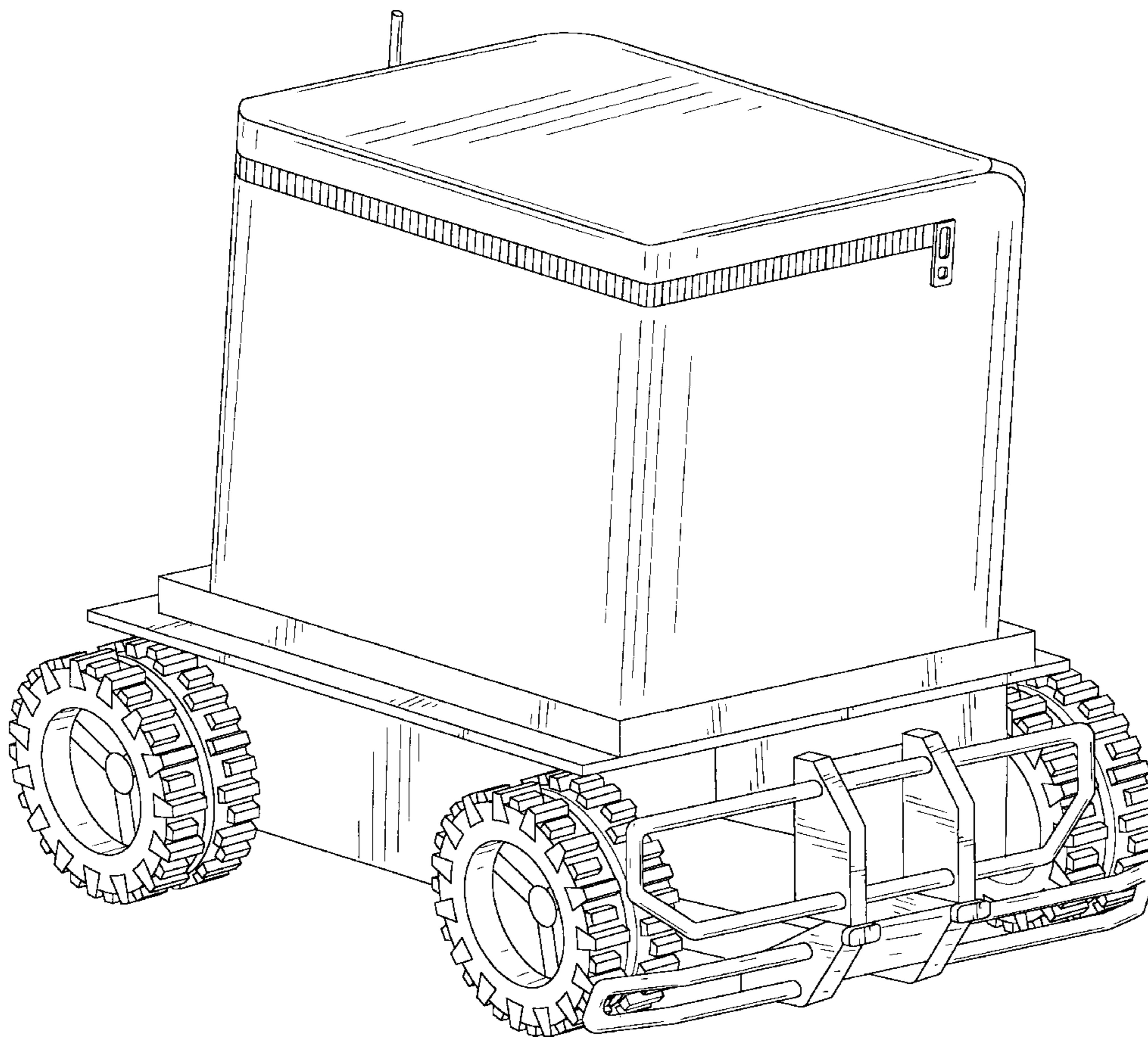
(57) **CLAIM**

The ornamental design for a remote control cooler, as shown.

DESCRIPTION

FIG. 1 is a front perspective view showing our new design;
FIG. 2 is a right hand side view thereof;
FIG. 3 is a left hand side view thereof;
FIG. 4 is a top view thereof;
FIG. 5 is a bottom view thereof;
FIG. 6 is a rear view thereof; and,
FIG. 7 is a front view thereof.

1 Claim, 7 Drawing Sheets



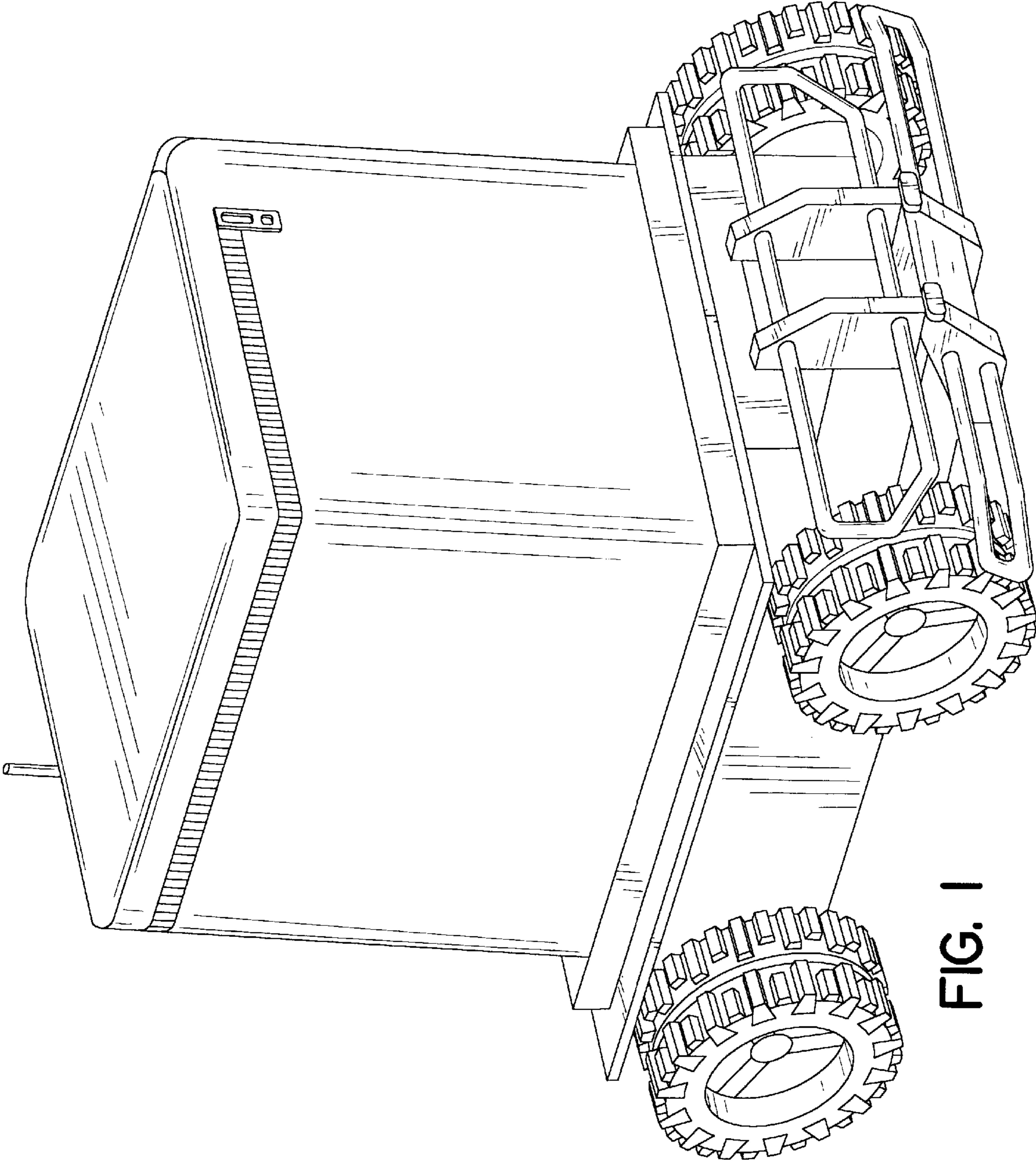


FIG. 1

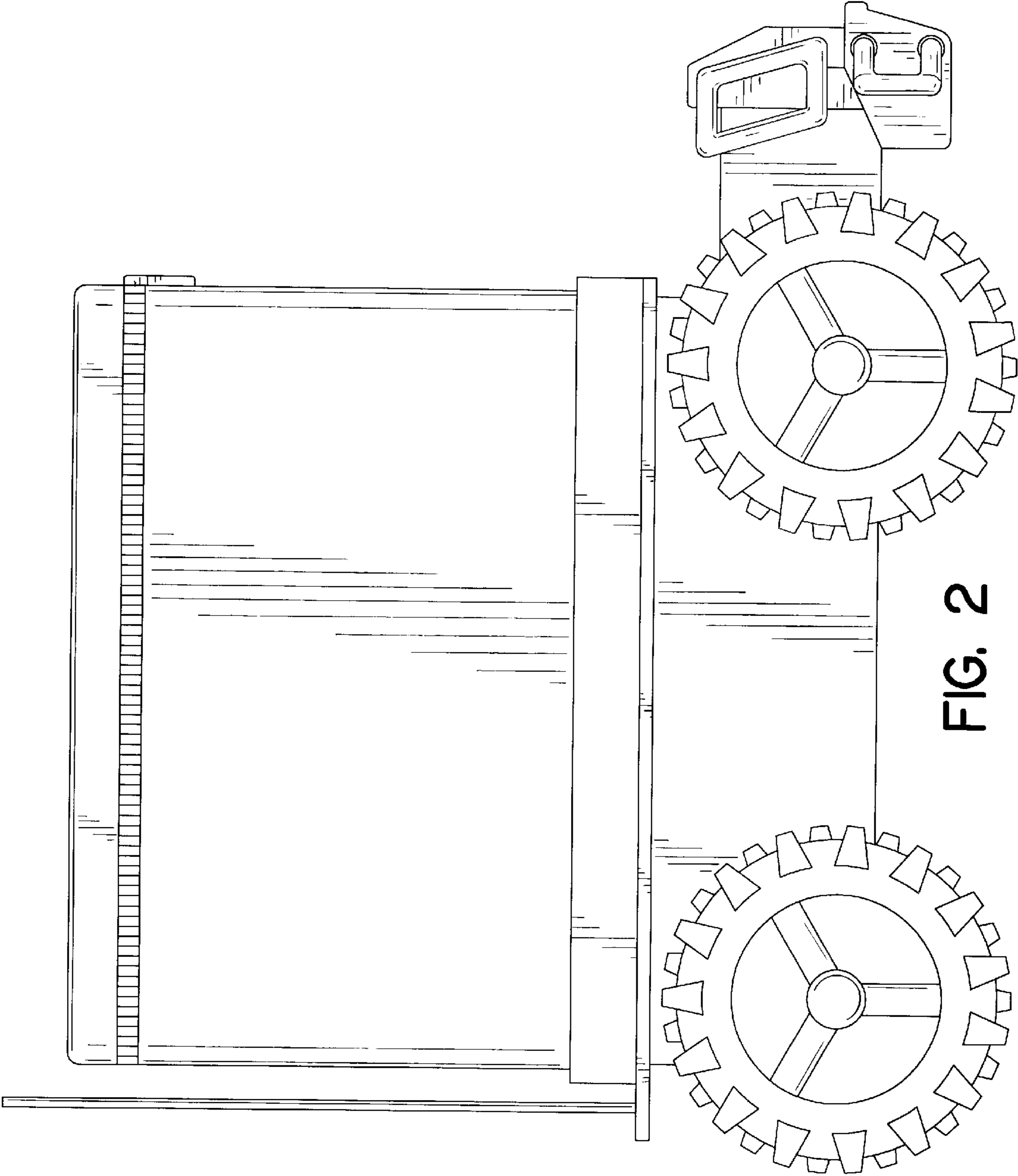


FIG. 2

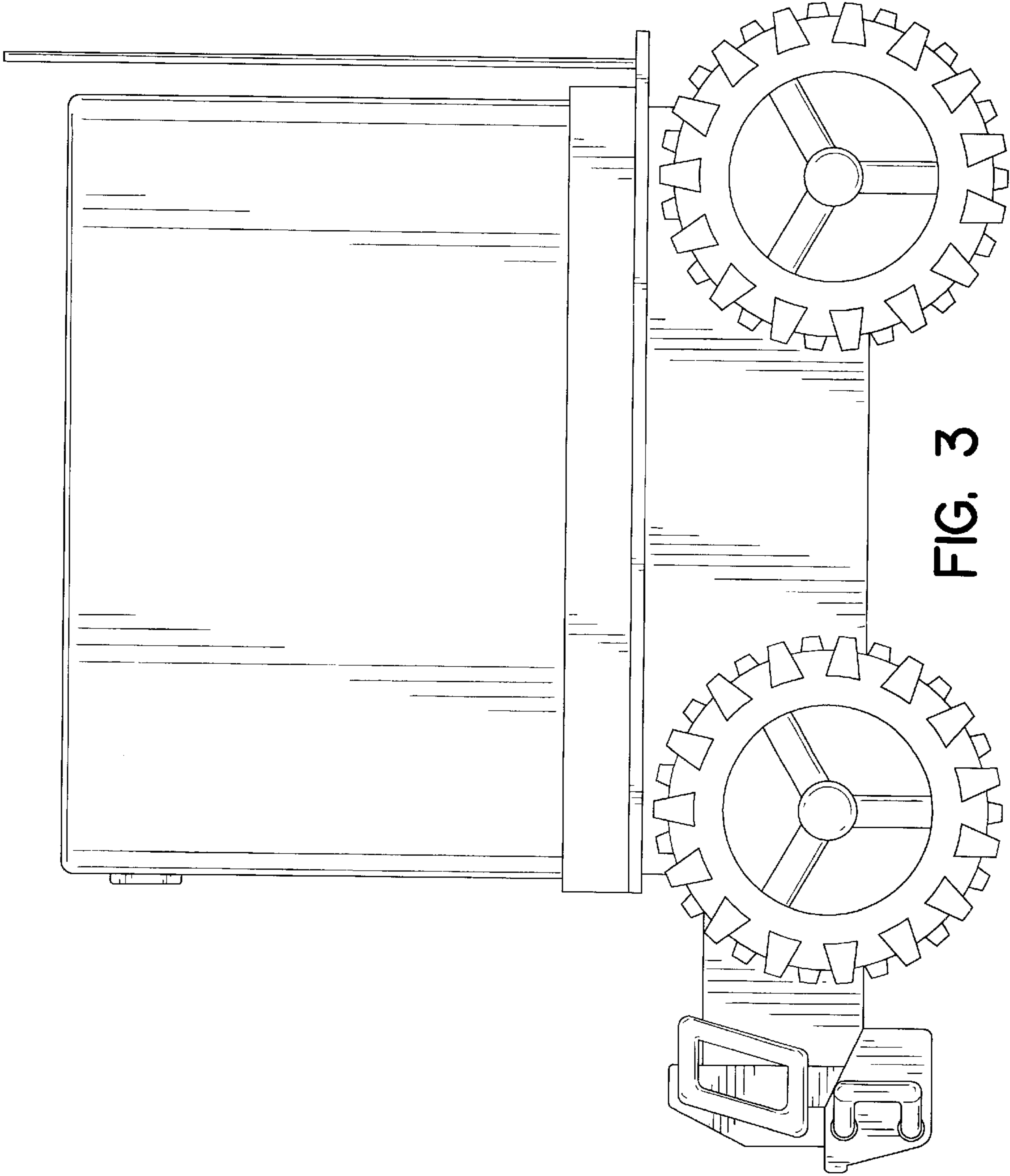


FIG. 3

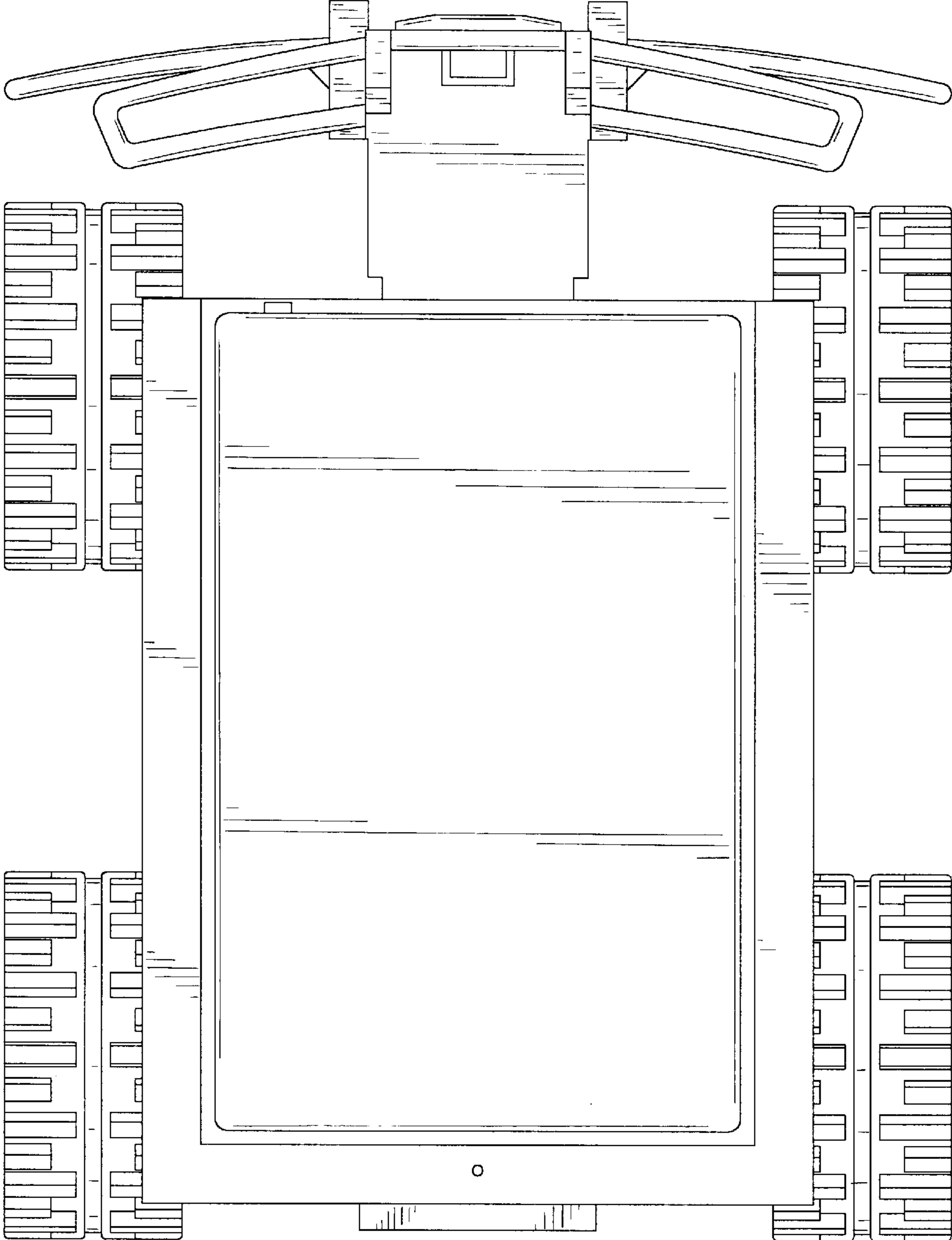


FIG. 4

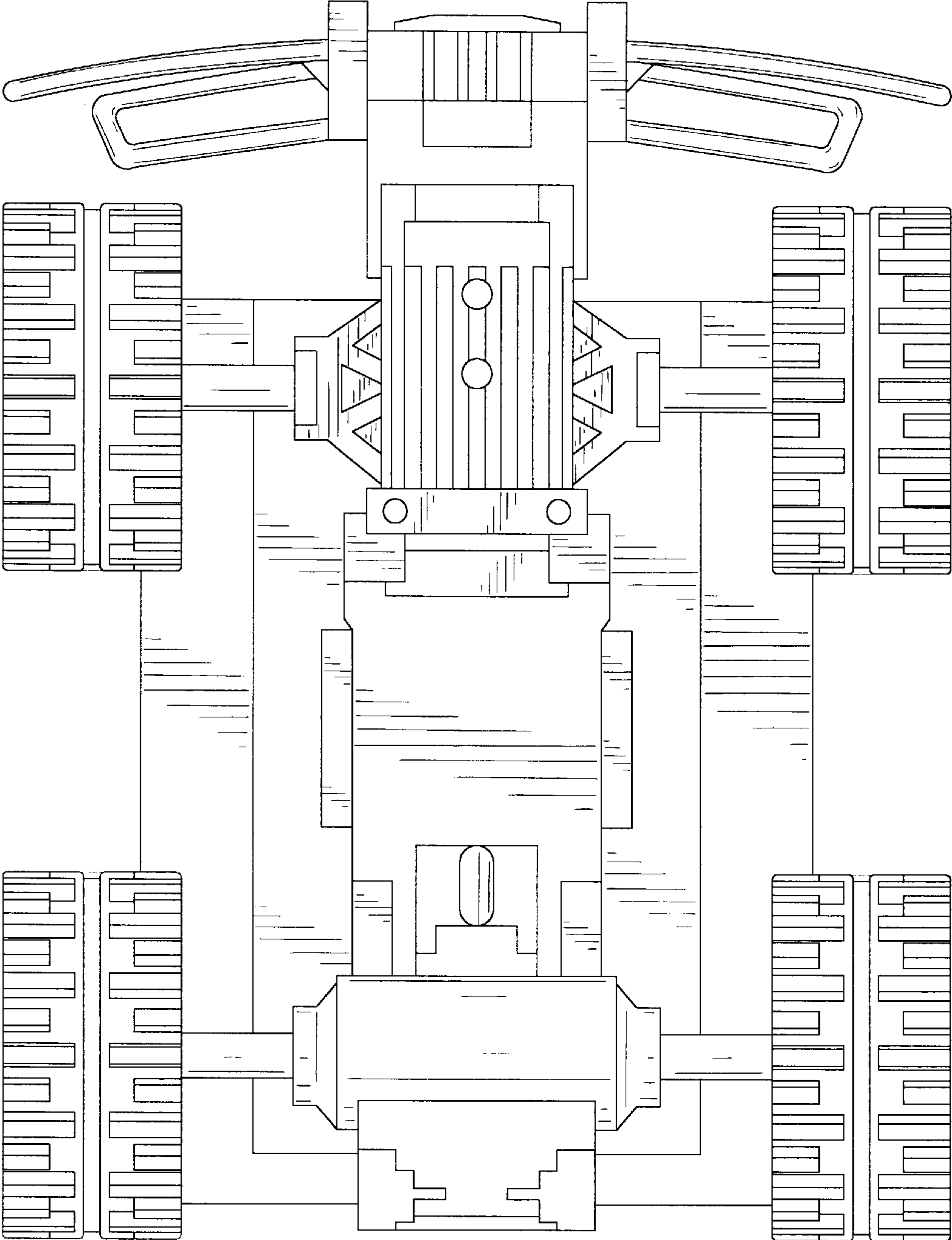


FIG. 5

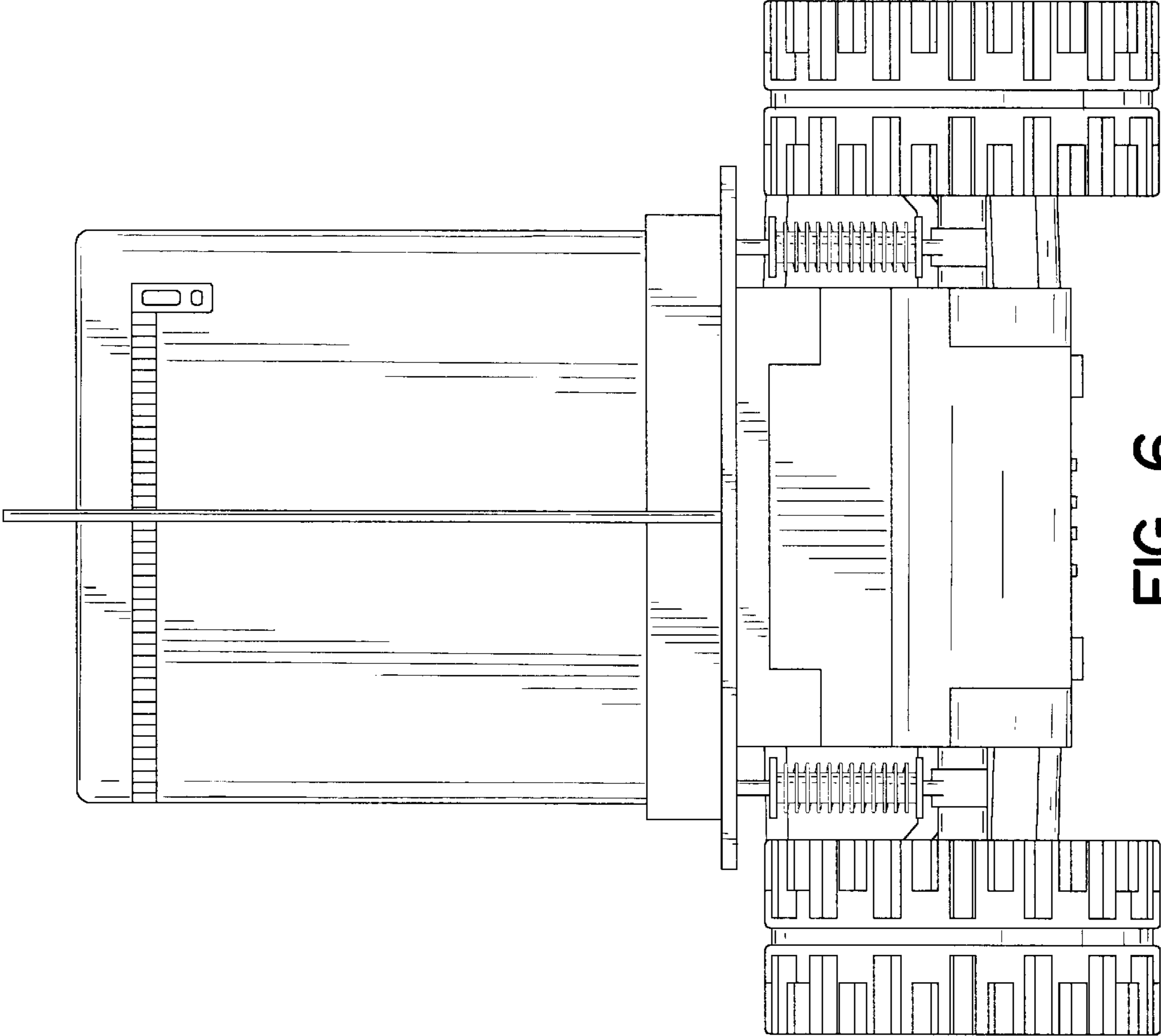


FIG. 6

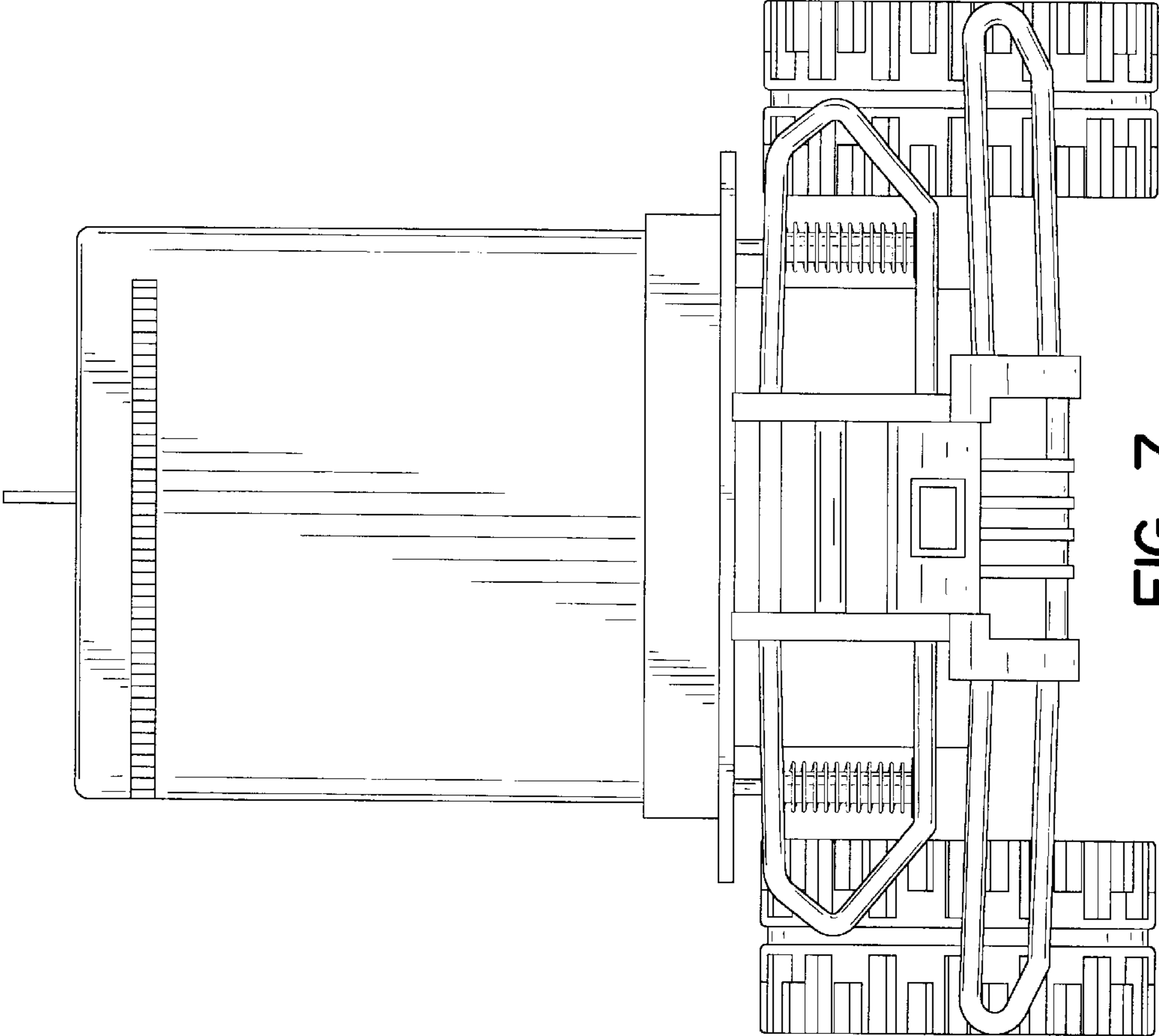


FIG. 7