



US00D514380S

(12) **United States Design Patent** (10) **Patent No.:** **US D514,380 S**  
**Smith et al.** (45) **Date of Patent:** **\*\* Feb. 7, 2006**

(54) **ERGONOMIC DISPOSABLE CUP**

(75) Inventors: **Stephen Alan Smith**, Naperville, IL (US); **Kevin Ray Smith**, Round Lake Beach, IL (US); **Warren Giles Wiedmeyer**, Trevor, WI (US); **Kimberly Vaile Healy**, Chicago, IL (US); **Bryce C. Rutter**, St. Louis, MO (US); **Brian C. Bone**, St. Louis, MO (US); **John H. Loudenslager**, Phoenix, AZ (US); **Jan Rolf Stillerman**, Phoenix, AZ (US)

(73) Assignee: **Solo Cup Company**, Highland Park, IL (US)

(\*\*) Term: **14 Years**

(21) Appl. No.: **29/194,902**

(22) Filed: **Dec. 3, 2003**

**Related U.S. Application Data**

(63) Continuation-in-part of application No. 10/676,807, filed on Oct. 1, 2003.

(51) **LOC (8) Cl.** ..... **07-99**

(52) **U.S. Cl.** ..... **D7/396.2; D7/396.1**

(58) **Field of Classification Search** ..... **D7/532, D7/531, 523, 507, 509, 392.1, 396, 396.2, D7/629, 615, 396.6, 396.1; D9/429, 556; 222/129, 465.1; 426/394, 86; 428/36.4; 206/520, 206/519, 217, 514; 366/341; 215/373, 384; 220/705, 676, 738, 671, 675, 669, 694, 735; 229/403, 400, 402, 401; 53/426**

See application file for complete search history.

(56) **References Cited**

**U.S. PATENT DOCUMENTS**

703,125 A 6/1902 Emrich

(Continued)

**FOREIGN PATENT DOCUMENTS**

DE 44 19 161 A1 12/1995

DE 298 02 377 U1 6/1998  
 GB 395996 7/1933

*Primary Examiner*—M. N. Pandozzi  
 (74) *Attorney, Agent, or Firm*—Wallenstein Wagner & Rockey, Ltd.

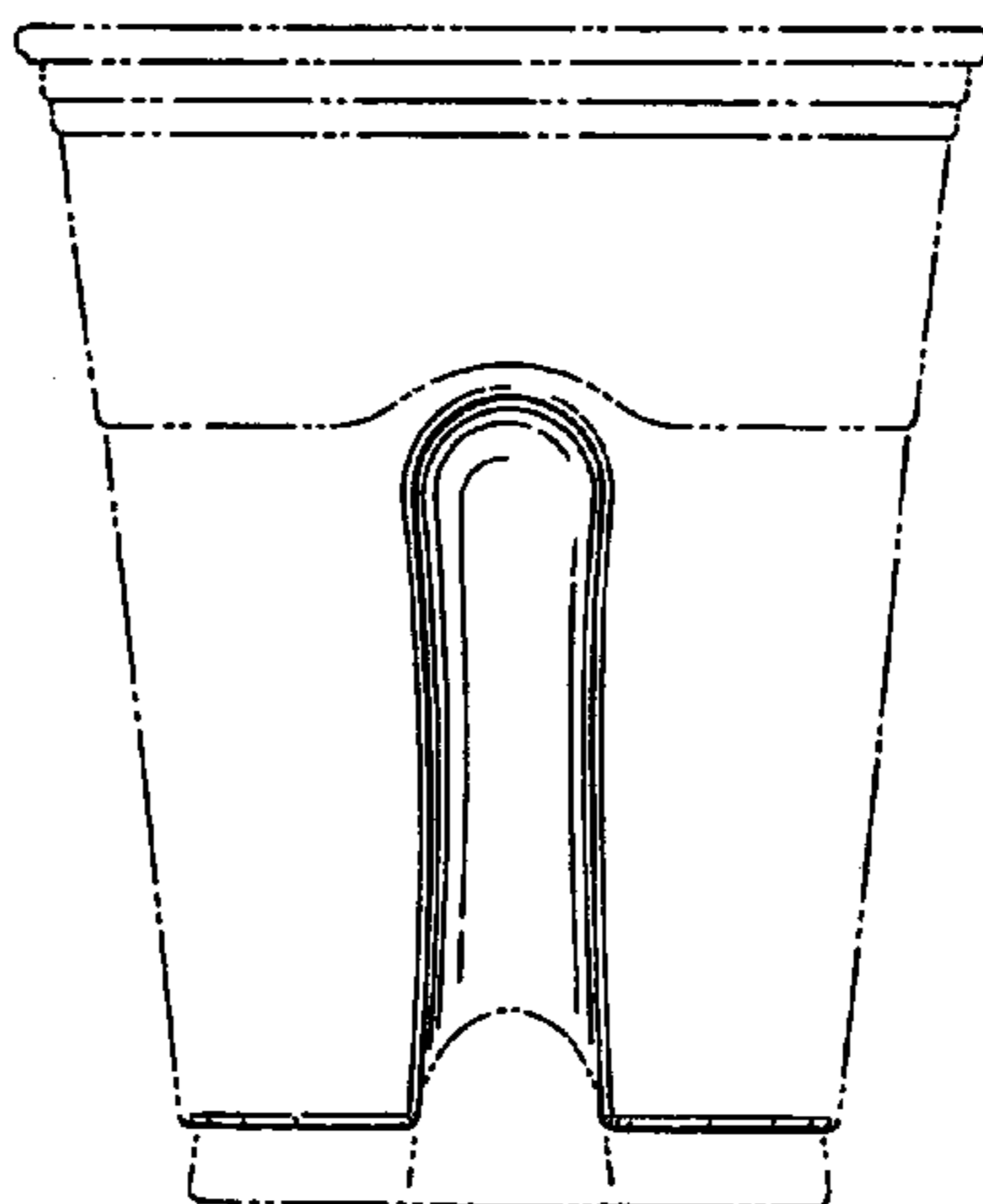
(57) **CLAIM**

We claim the ornamental design for an ergonomic disposable cup, as shown and described.

**DESCRIPTION**

FIG. 1 is a perspective view of a first embodiment of an ergonomic disposable cup;  
 FIG. 2 is a front elevation view of the cup of FIG. 1, with an opposite view being identical thereto;  
 FIG. 3 is a side elevation view of the cup of FIG. 1, with an opposite view being identical thereto;  
 FIG. 4 is a bottom plan view of the cup of FIG. 1;  
 FIG. 5 is a perspective view of a second embodiment of the cup of the present invention;  
 FIG. 6 is a front elevation view of the cup of FIG. 5, with an opposite view being identical thereto;  
 FIG. 7 is a side elevation view of the cup of FIG. 5, with an opposite view being identical thereto;  
 FIG. 8 is a bottom plan view of the cup of FIG. 5;  
 FIG. 9 is a perspective view of a third embodiment of the cup of the present invention;  
 FIG. 10 is a front elevation view of the cup of FIG. 9, with an opposite view being identical thereto;  
 FIG. 11 is a side elevation view of the cup of FIG. 9, with an opposite view being identical thereto;  
 FIG. 12 is a bottom plan view of the cup of FIG. 9;  
 FIG. 13 is a perspective view of a fourth embodiment of an ergonomic disposable cup;  
 FIG. 14 is a front elevation view of the cup of FIG. 14, with an opposite view being identical thereto;  
 FIG. 15 is a side elevation view of the cup of FIG. 14, with an opposite view being identical thereto; and,  
 FIG. 16 is a bottom plan view of the cup of FIG. 14.  
 Broken lines in the Figures form no part of the claimed design.

**1 Claim, 8 Drawing Sheets**



# US D514,380 S

Page 2

## U.S. PATENT DOCUMENTS

1,636,174 A	7/1927	Dolan et al.	4,134,492 A	1/1979	Lucas
2,013,243 A	9/1935	Landon	4,420,081 A	12/1983	Dart
2,629,534 A	2/1953	Reynolds	D272,794 S	2/1984	Dart
2,745,586 A *	5/1956	Thoma ..... 229/401	4,548,348 A	10/1985	Clements
2,905,350 A	9/1959	Edwards	4,578,296 A *	3/1986	Miyazaki et al. .... 428/36.4
3,009,603 A	11/1961	Stockdale	D285,032 S	8/1986	Alonzo
3,091,360 A	5/1963	Edwards	5,082,135 A *	1/1992	De Coster ..... 220/694
D197,313 S	1/1964	Wanderer	D328,014 S *	7/1992	DeCoster et al. .... D7/629
3,126,139 A	3/1964	Schechter	D346,308 S	4/1994	Cautereels et al.
D198,139 S	5/1964	Edwards	5,415,339 A	5/1995	Howard
3,131,845 A	5/1964	Sherlock et al.	5,423,160 A	6/1995	Rosén
3,139,213 A	6/1964	Edwards	D368,234 S	3/1996	Dickinson et al.
D199,336 S	10/1964	Wanderer	5,634,569 A *	6/1997	DeCoster ..... 220/735
D199,579 S	11/1964	Davis	5,678,726 A *	10/1997	Porteous ..... 220/676
D208,872 S	10/1967	Davis	D387,619 S	12/1997	Gross et al.
D210,767 S	4/1968	Anglada	D399,099 S *	10/1998	Cousins ..... D7/615
3,375,954 A *	4/1968	Honkanen et al. .... 206/520	D410,174 S	5/1999	Sheu
D211,514 S	6/1968	Amberg	D413,067 S	8/1999	Haley
3,397,867 A	8/1968	van't Hoff	D416,757 S	11/1999	Ginuntoli
D213,094 S *	1/1969	Davis ..... D7/531	6,109,518 A *	8/2000	Mueller et al. .... 229/403
D213,173 S	1/1969	Lockhart et al.	D436,295 S	1/2001	Furman et al.
D213,174 S *	1/1969	Davis ..... D7/531	D441,252 S	5/2001	Gitschlag
3,437,253 A *	4/1969	Davis ..... 229/400	D443,475 S *	6/2001	Miura ..... D7/507
D220,031 S *	3/1971	Donovan ..... D9/429	D444,672 S *	7/2001	Miura ..... D7/507
D223,999 S	6/1972	Klose	6,264,068 B1	7/2001	Ours et al.
D228,125 S *	8/1973	Weiss ..... D9/429	D446,684 S *	8/2001	Price ..... D7/509
3,951,266 A	4/1976	Brewer	D446,687 S *	8/2001	Furman et al. .... D7/523
4,049,187 A	9/1977	Florian	D448,976 S	10/2001	McDonough et al.
4,052,037 A	10/1977	Mair et al.	6,554,154 B1	4/2003	Chauhan et al.
4,061,782 A	12/1977	Baxter	2003/0157224 A1	8/2003	Westerhof et al.
4,102,454 A *	7/1978	Karevaara ..... 206/514	2004/0045974 A1 *	3/2004	Gtruber et al. .... 220/669

\* cited by examiner

FIG. 1

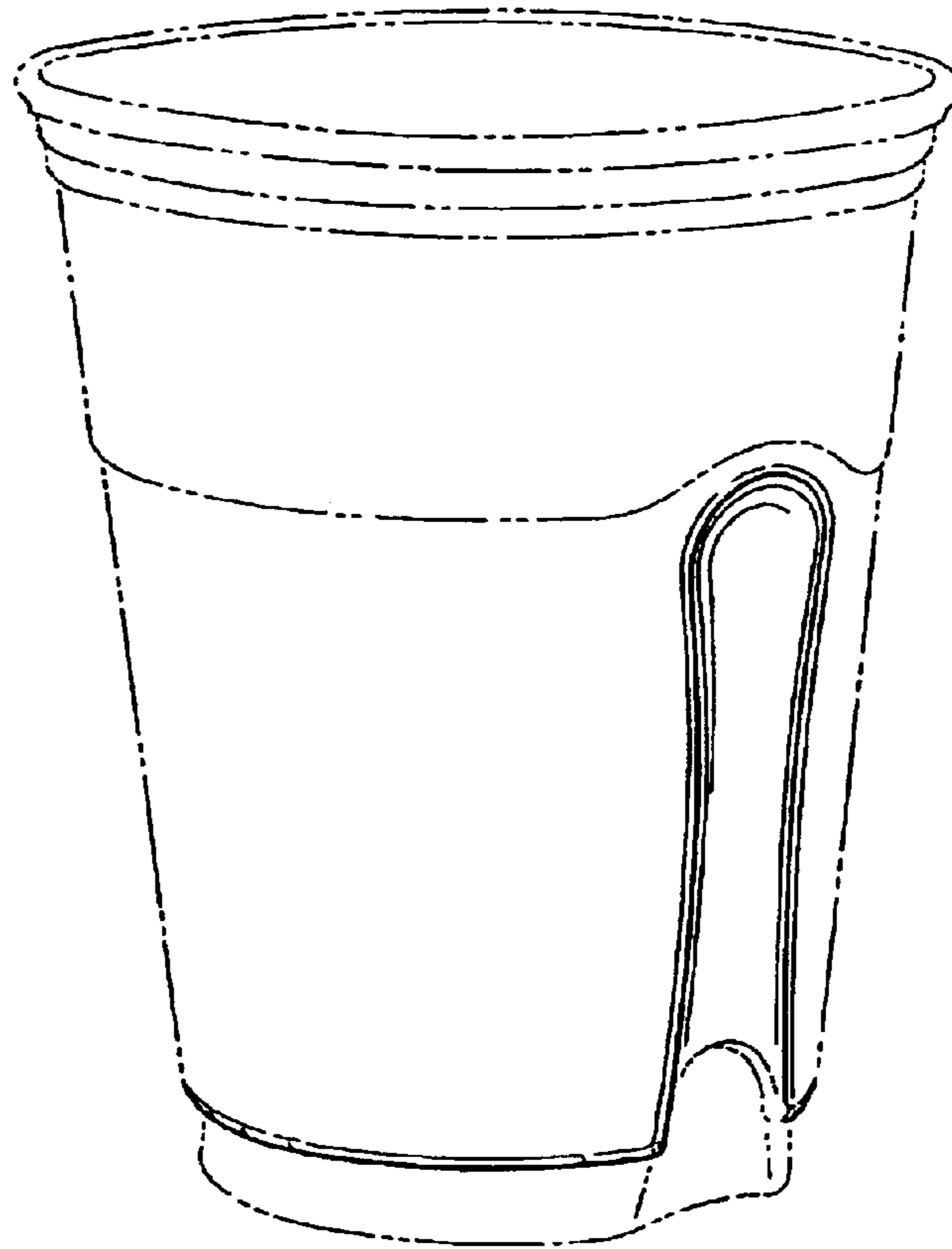


FIG. 2

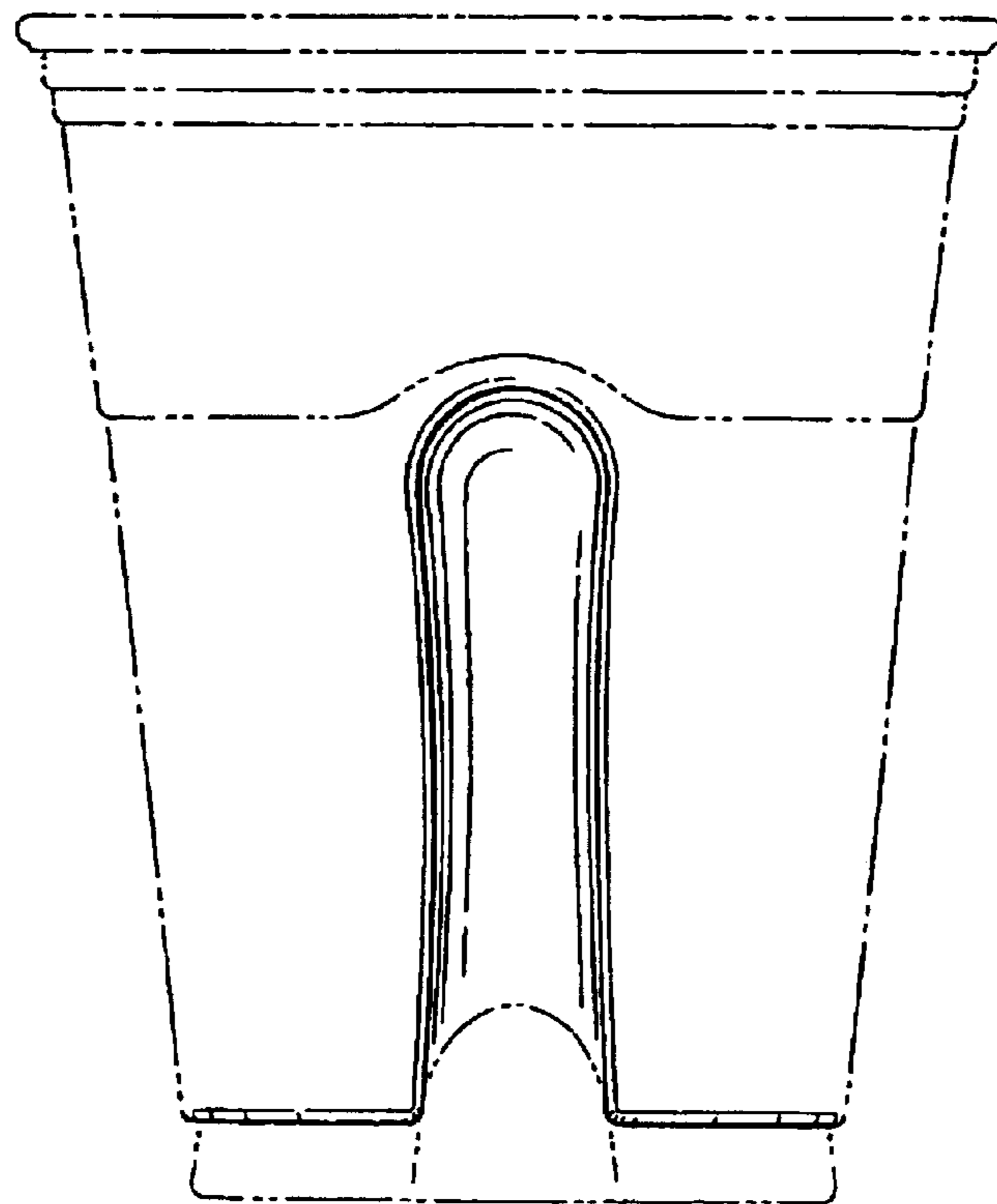


FIG. 3

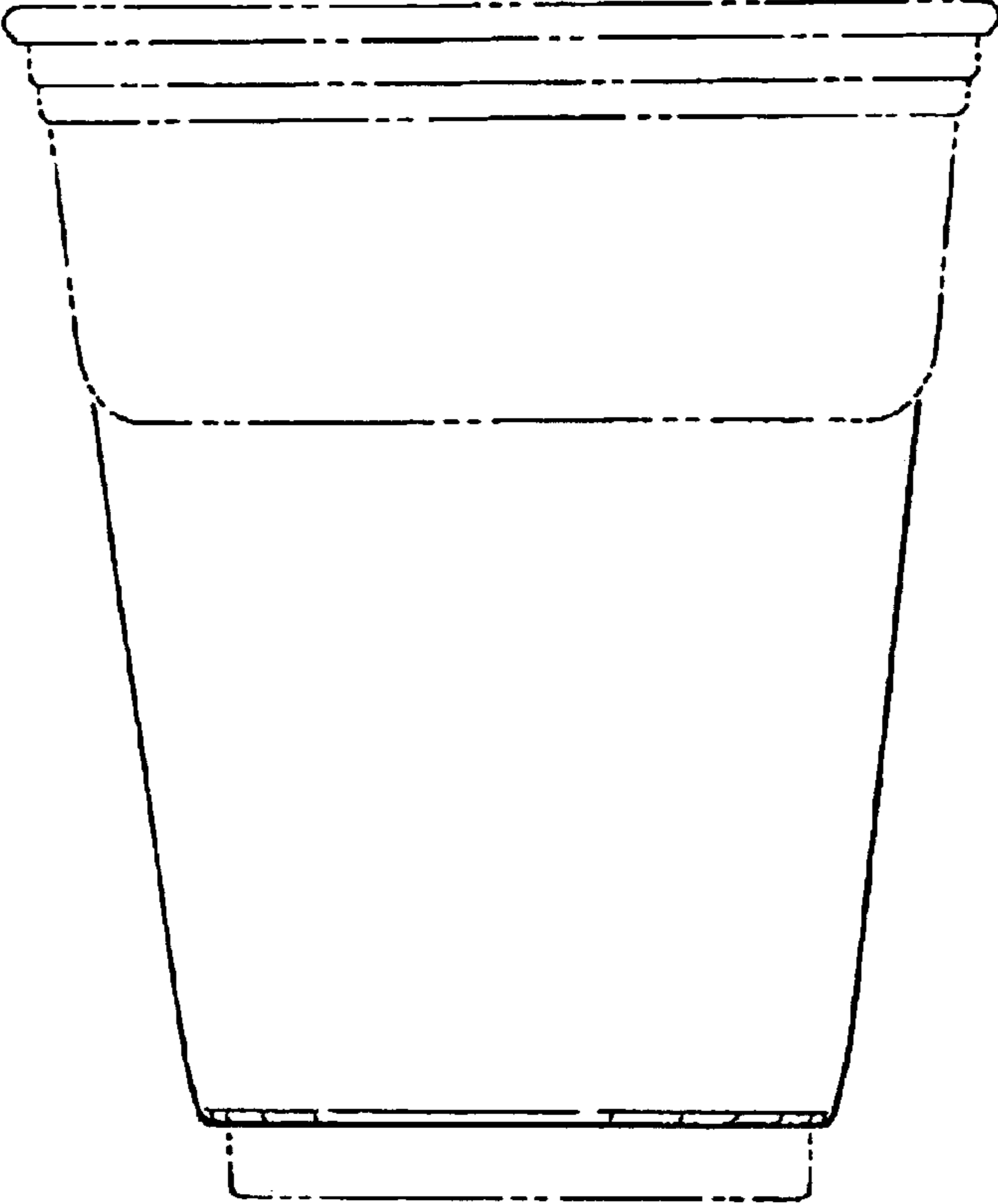


FIG. 4

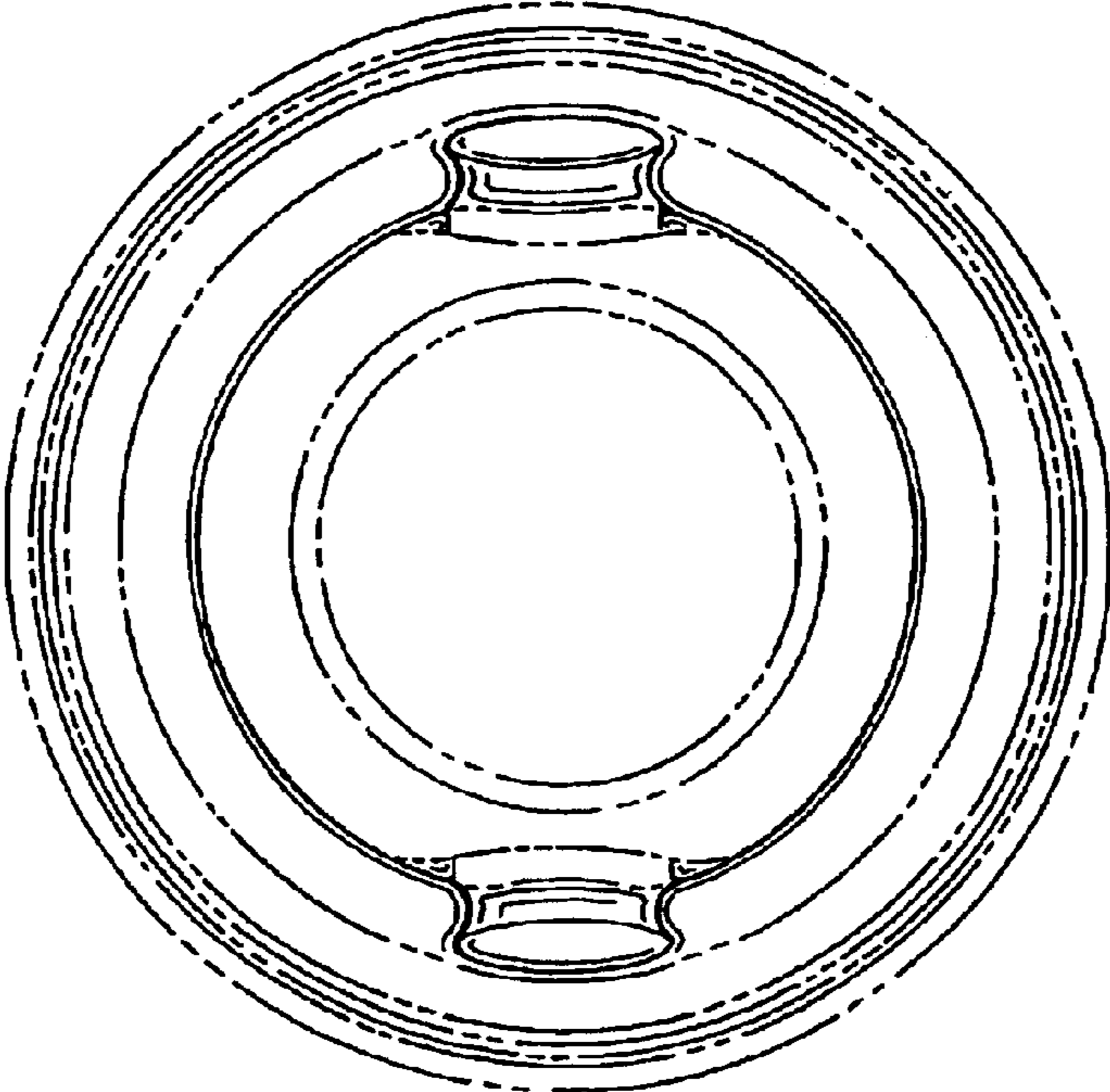


FIG. 5

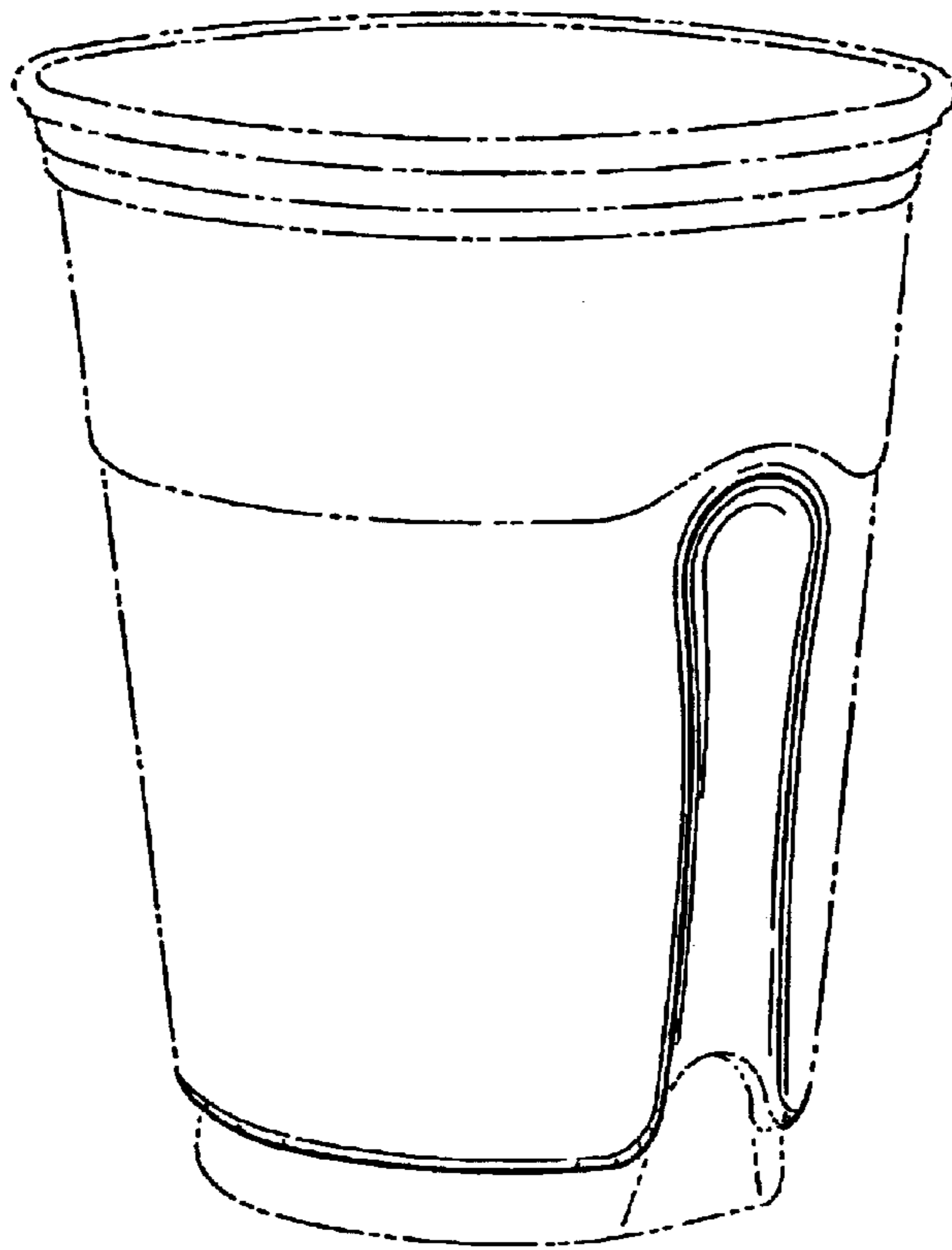


FIG. 6

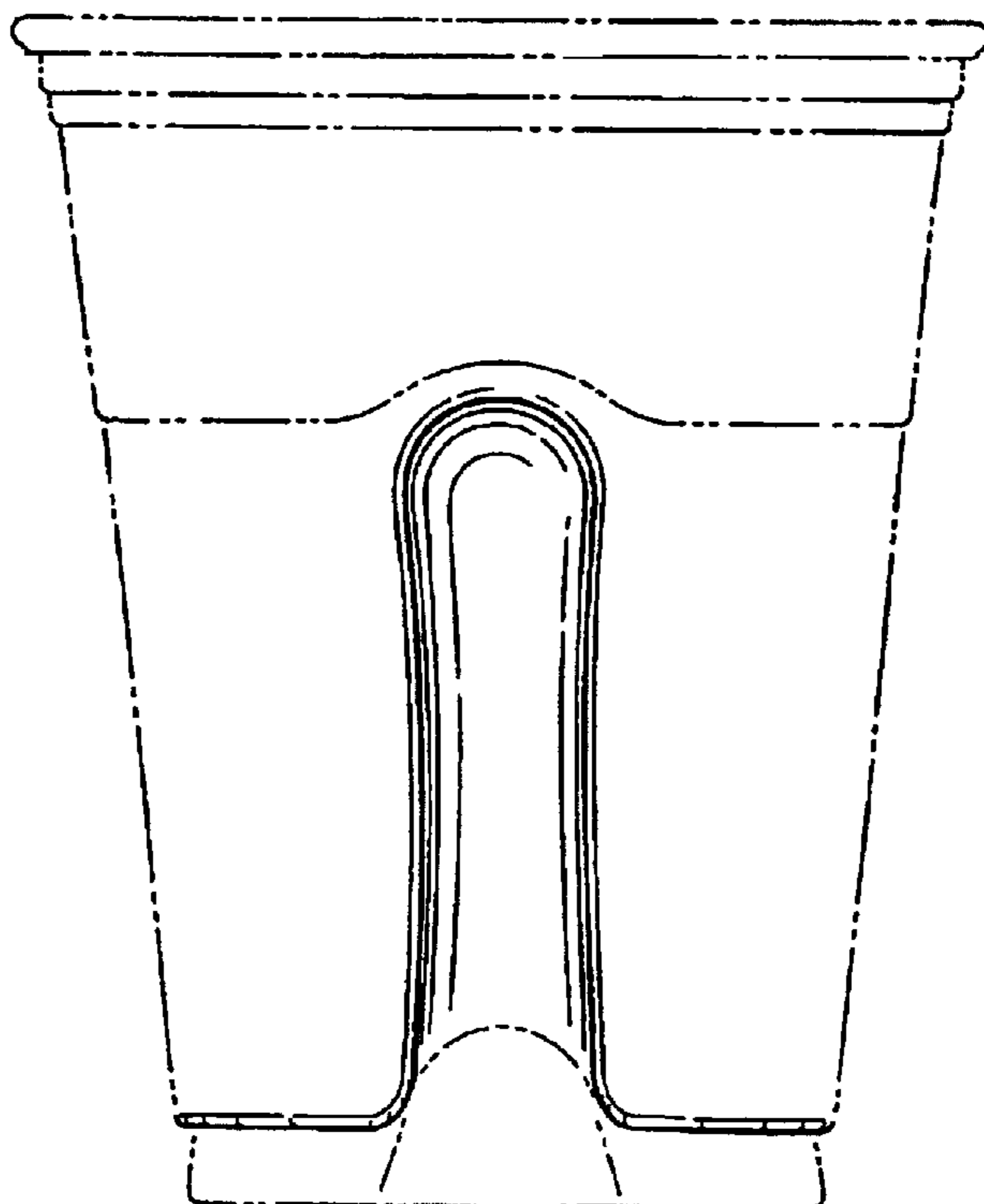


FIG. 7

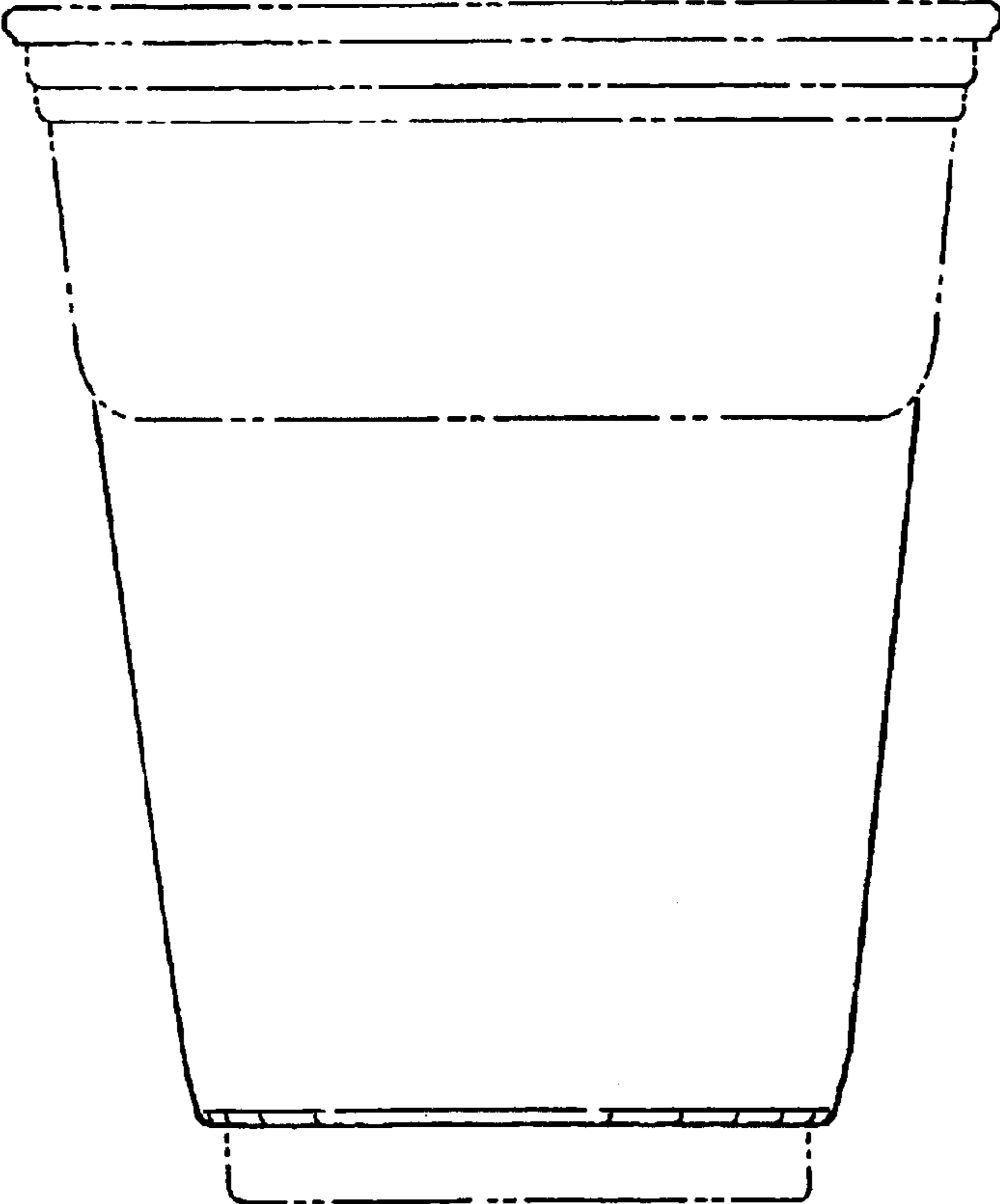


FIG. 8

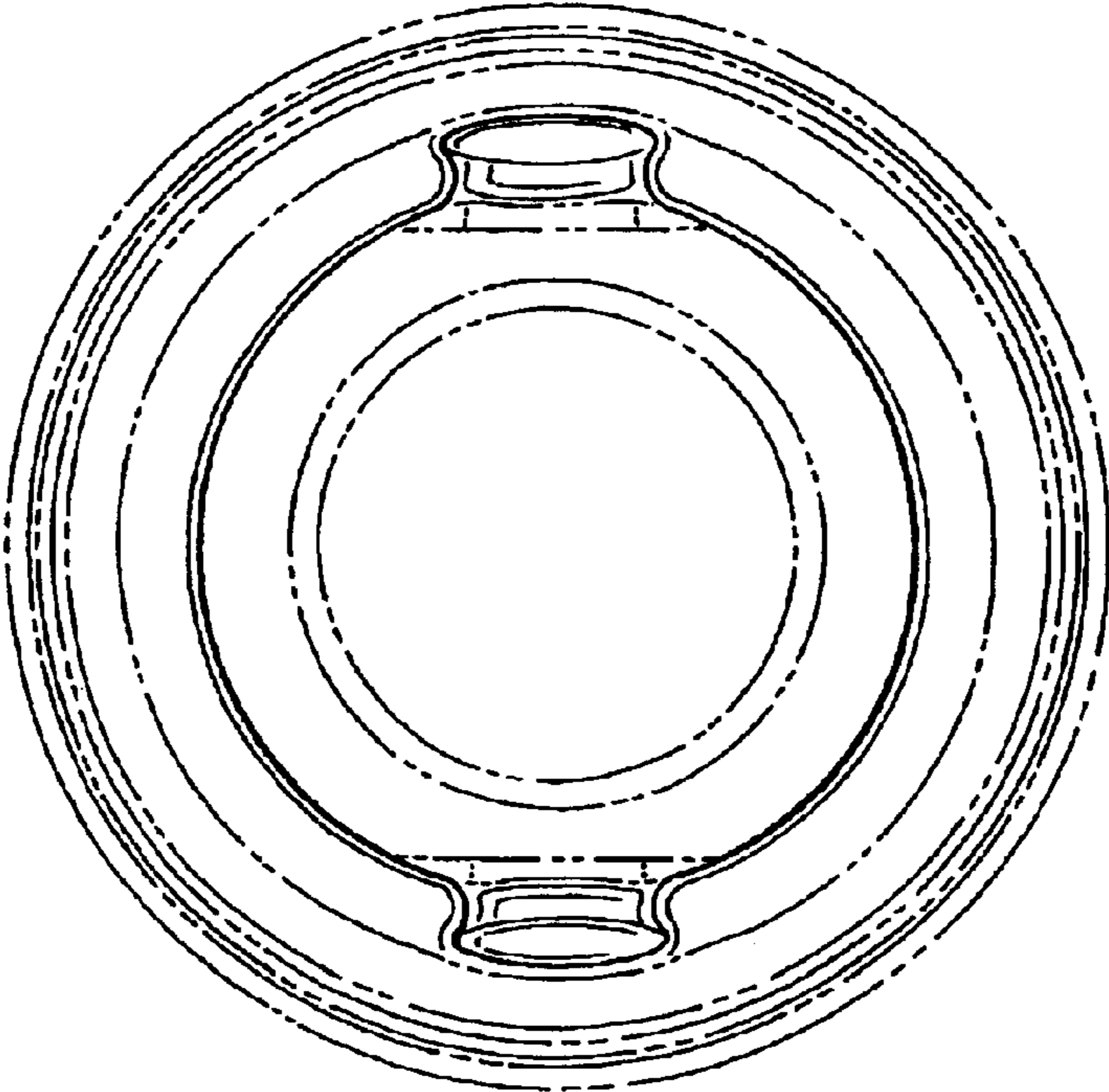


FIG. 9

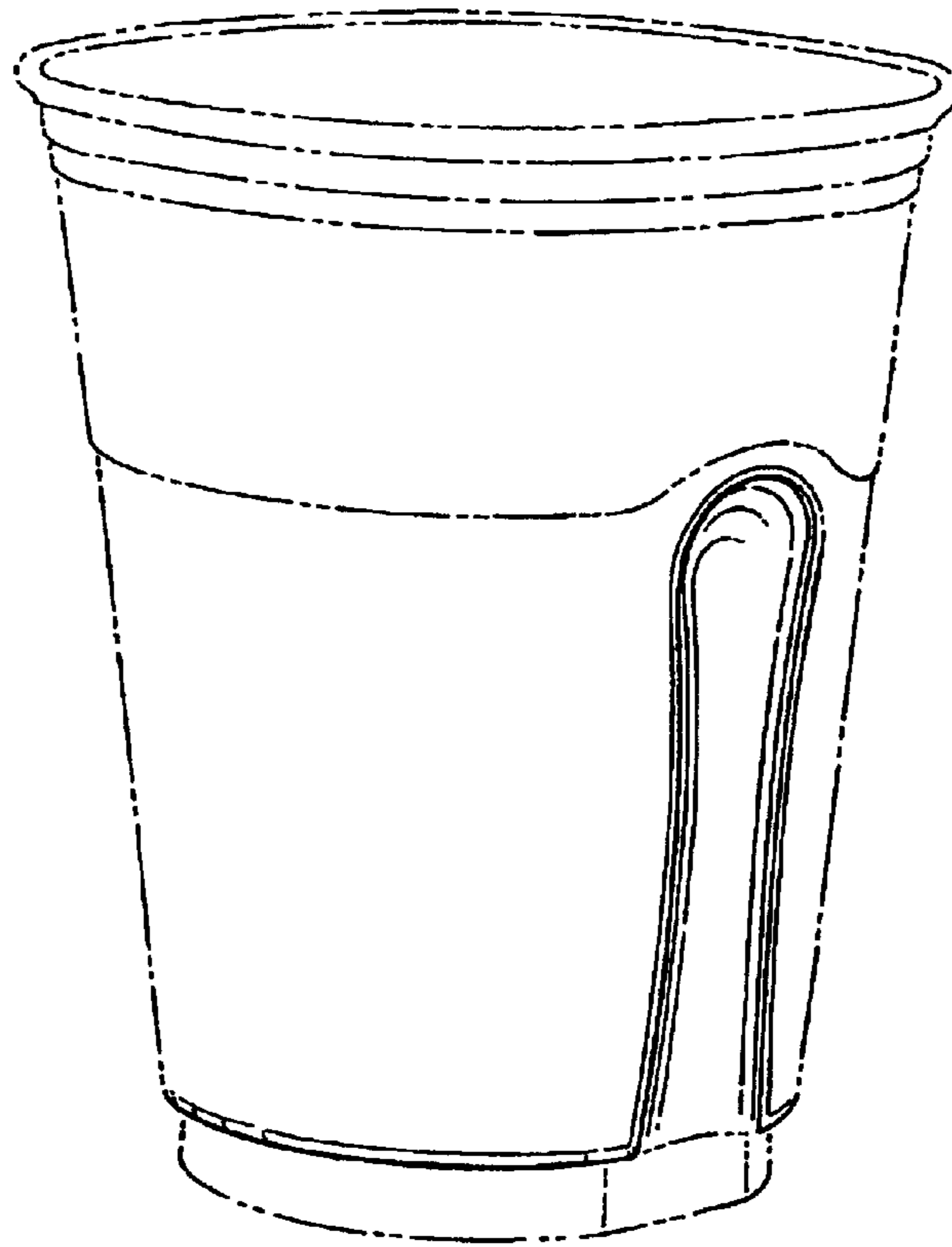


FIG. 10

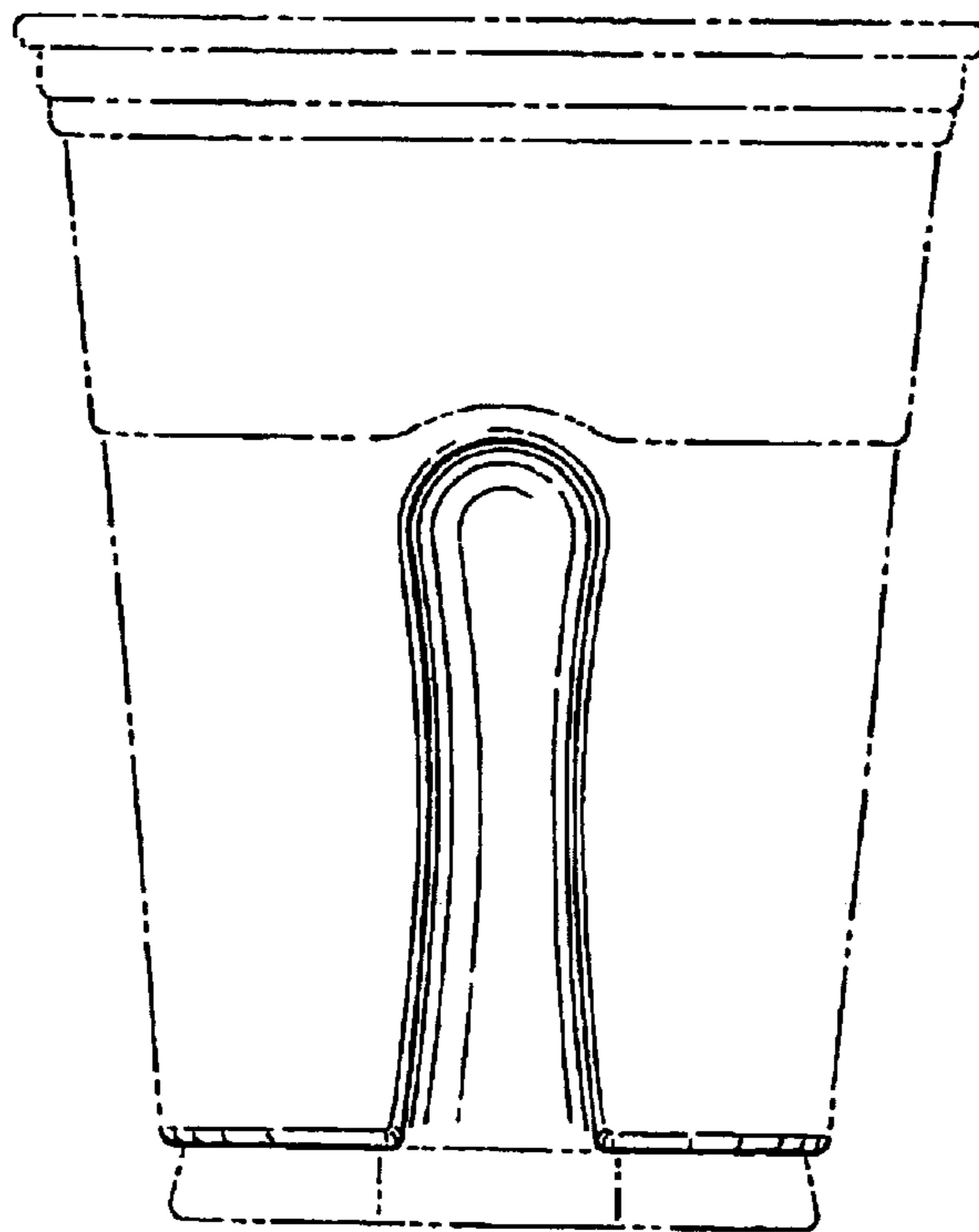


FIG. 12

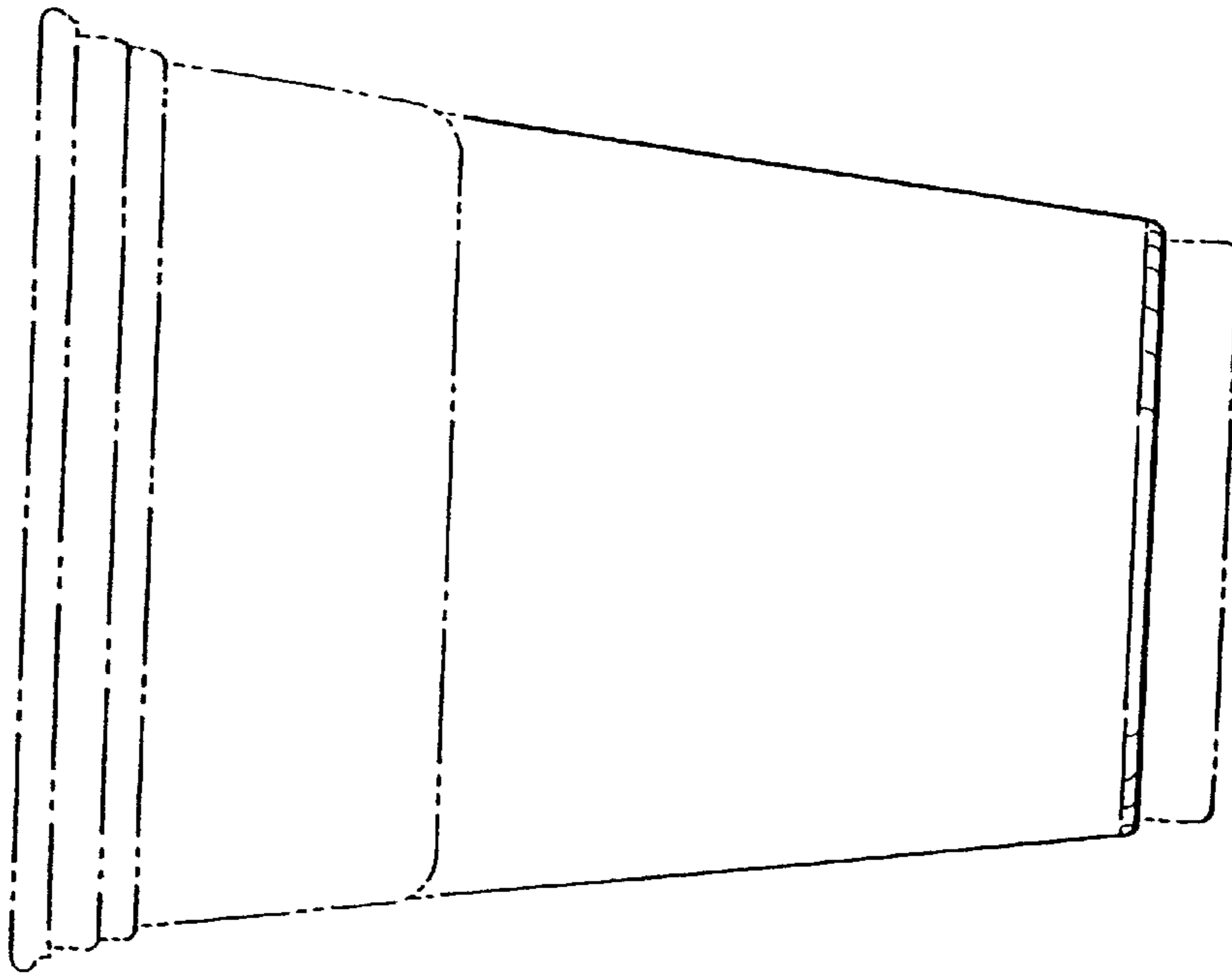
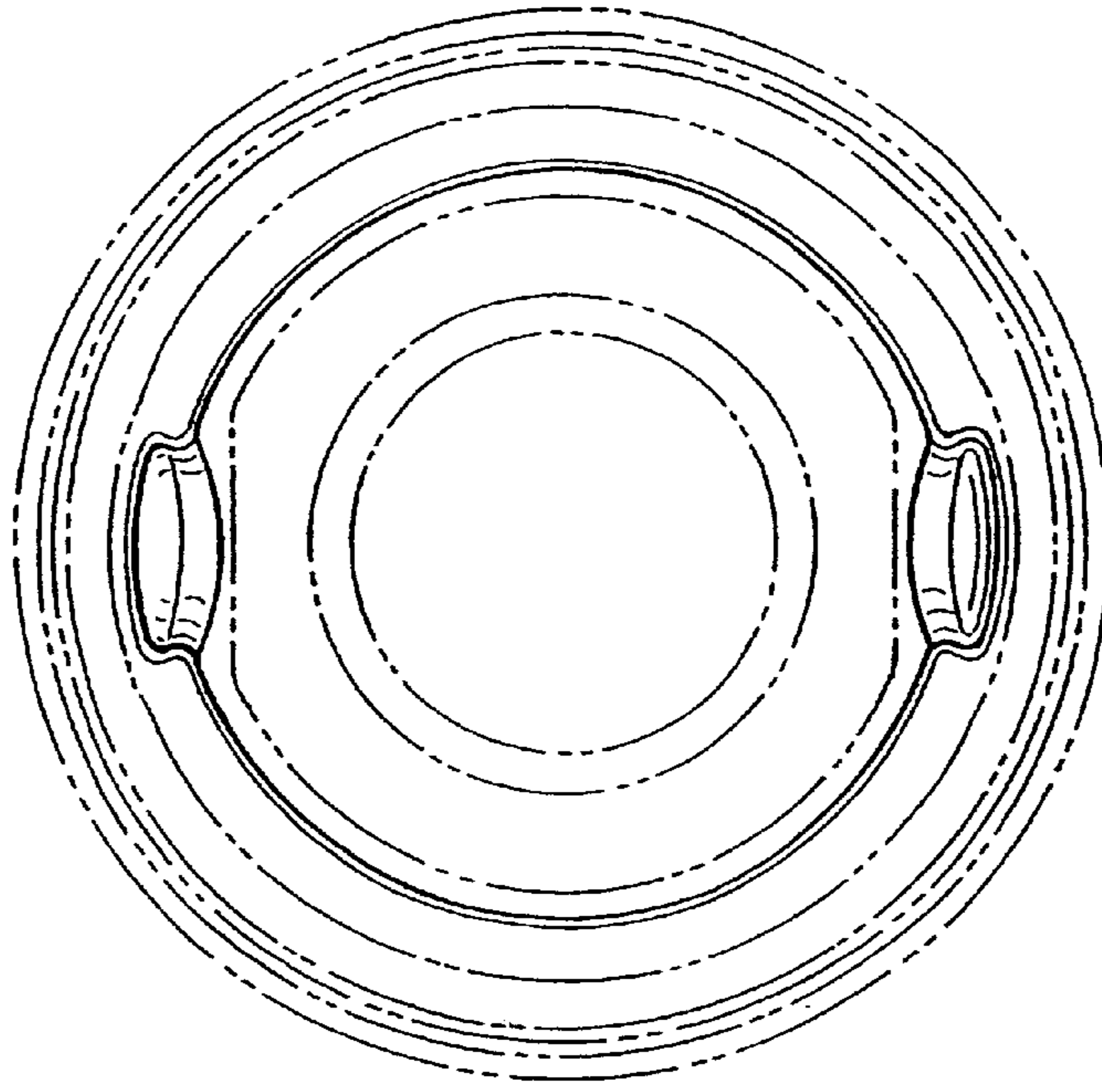


FIG. 11



FIG. 13

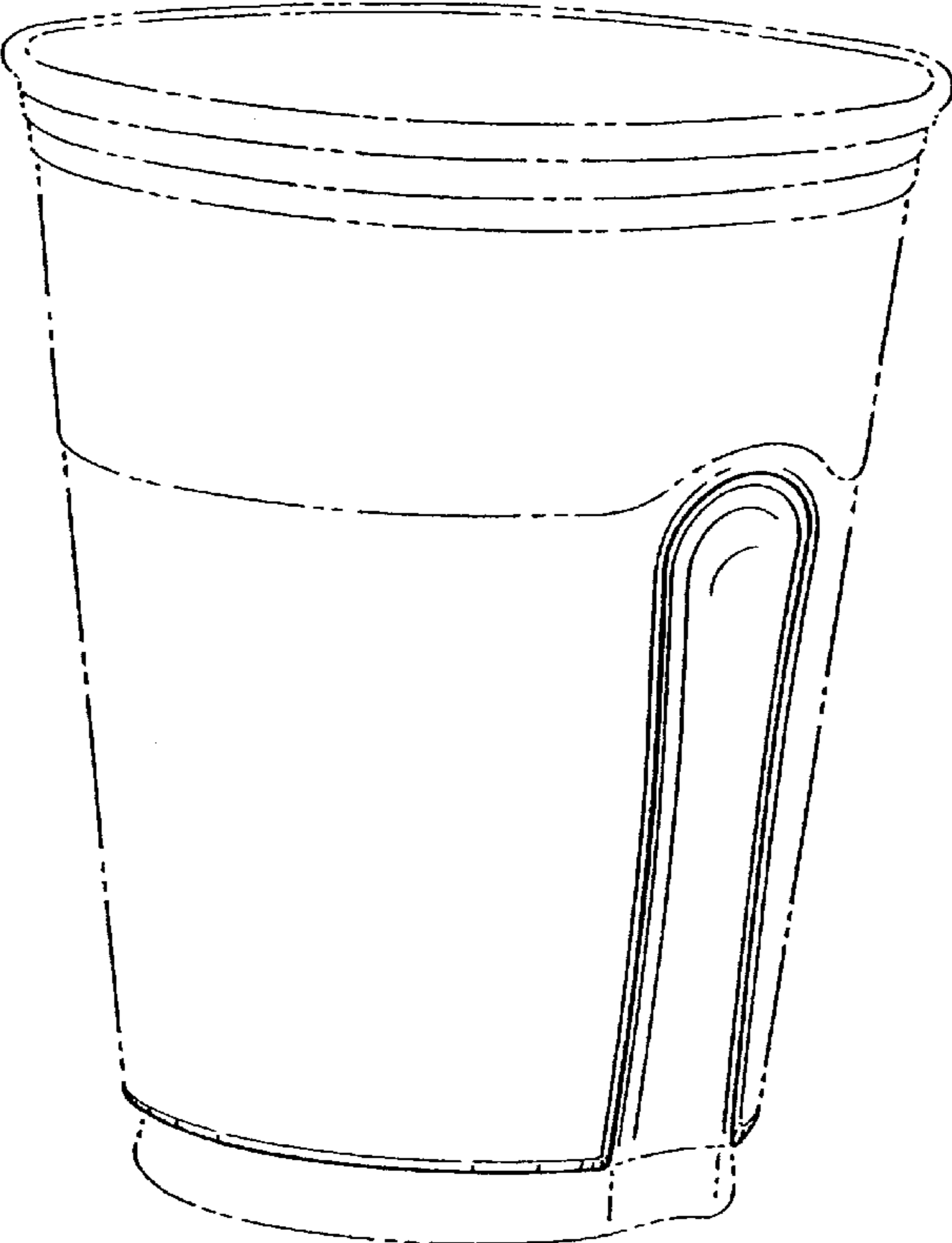


FIG. 14

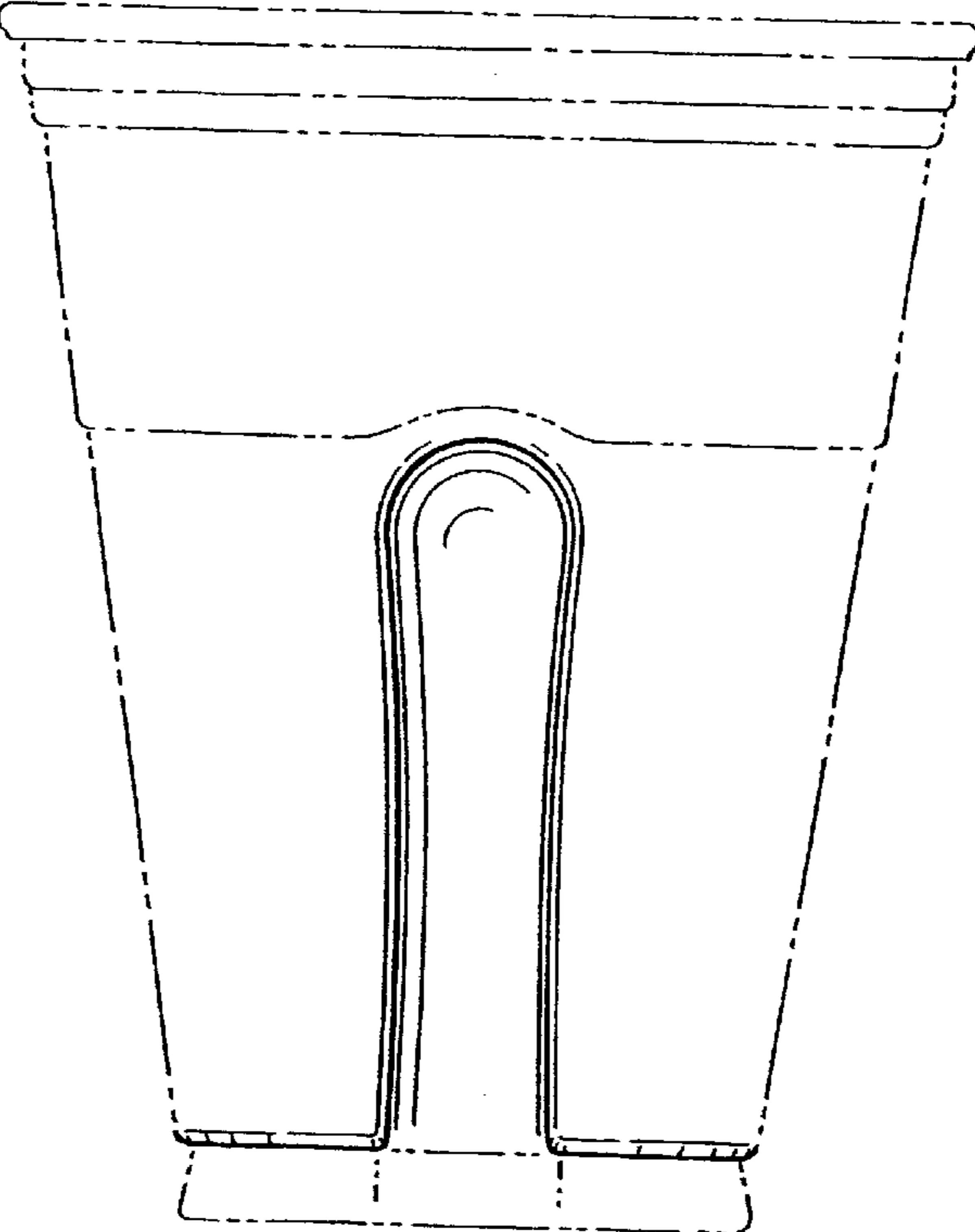


FIG. 15

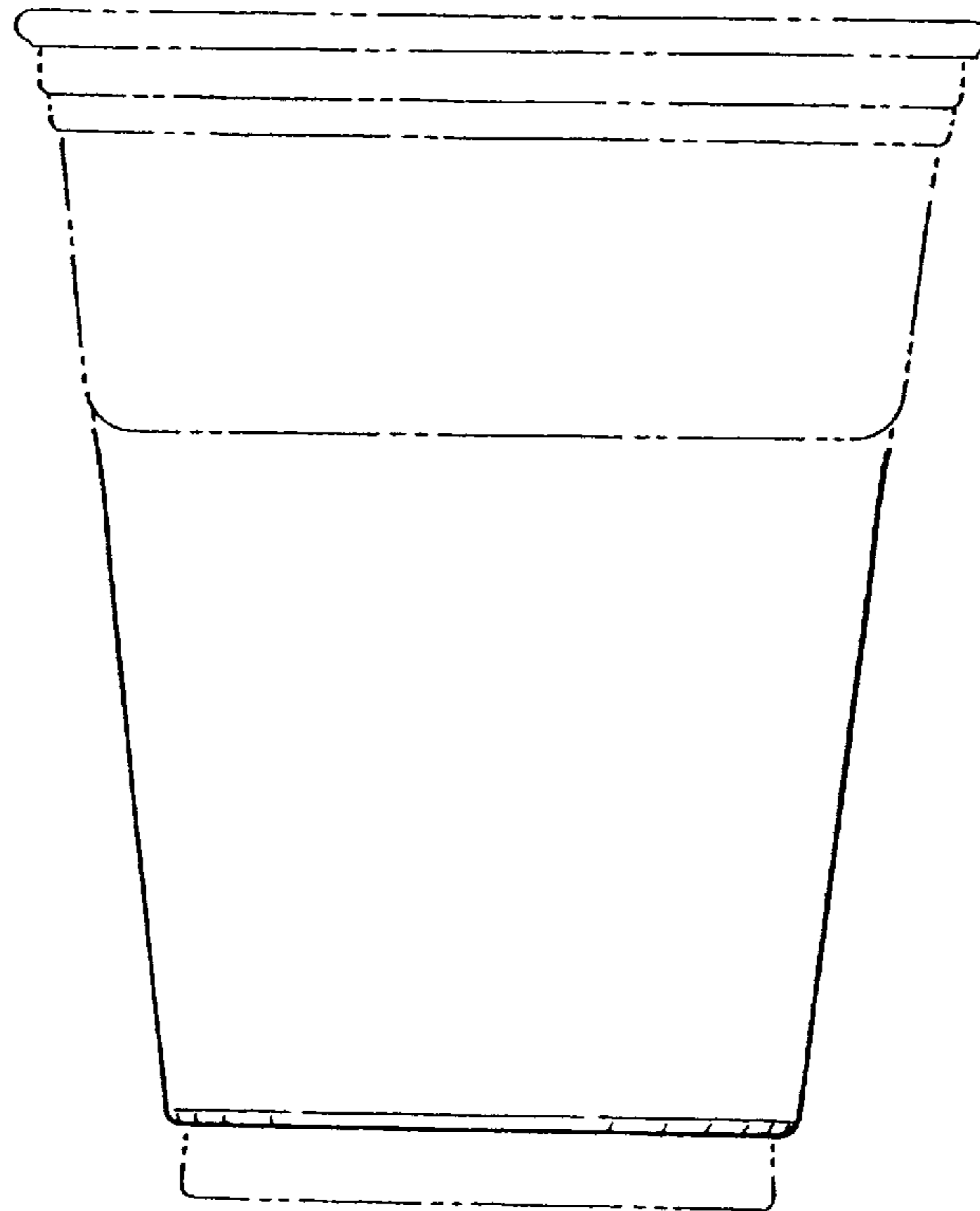


FIG. 16

