

US00D514376S

(12) **United States Design Patent**  
**Graves et al.**

(10) **Patent No.:** **US D514,376 S**

(45) **Date of Patent:** **\*\* Feb. 7, 2006**

(54) **HANDLE**

(76) Inventors: **Michael Graves**, 44 Patton Ave.,  
Princeton, NJ (US) 08540; **David**  
**Peschel**, 214 Arbolea Ave., Yardley, PA  
(US) 19067

(\*\*) Term: **14 Years**

(21) Appl. No.: **29/205,865**

(22) Filed: **May 21, 2004**

(51) **LOC (8) Cl.** ..... **07-02**

(52) **U.S. Cl.** ..... **D7/394**

(58) **Field of Classification Search** ..... D7/394,  
D7/393, 395, 678; D34/10; 16/110.1; 241/95,  
241/168, 274; D8/300, 307, 310, 311, 319  
See application file for complete search history.

(56) **References Cited**

**U.S. PATENT DOCUMENTS**

D333,942 S \* 3/1993 So ..... D7/394  
D346,930 S \* 5/1994 Gabalis ..... D7/393

D351,702 S \* 10/1994 Breen ..... D34/10  
5,398,374 A \* 3/1995 Betancourt ..... 16/110.1  
D416,172 S \* 11/1999 Cheng ..... D7/394  
D422,450 S \* 4/2000 Conti ..... D7/394

\* cited by examiner

*Primary Examiner*—Ruth McInroy

*Assistant Examiner*—Terrence Huang

(74) *Attorney, Agent, or Firm*—Duane Morris LLP

(57) **CLAIM**

The ornamental design for a handle, as shown and described.

**DESCRIPTION**

FIG. 1 is a perspective view of a handle formed according to the design of the present invention;

FIG. 2 is an enlarged perspective view of the handle;

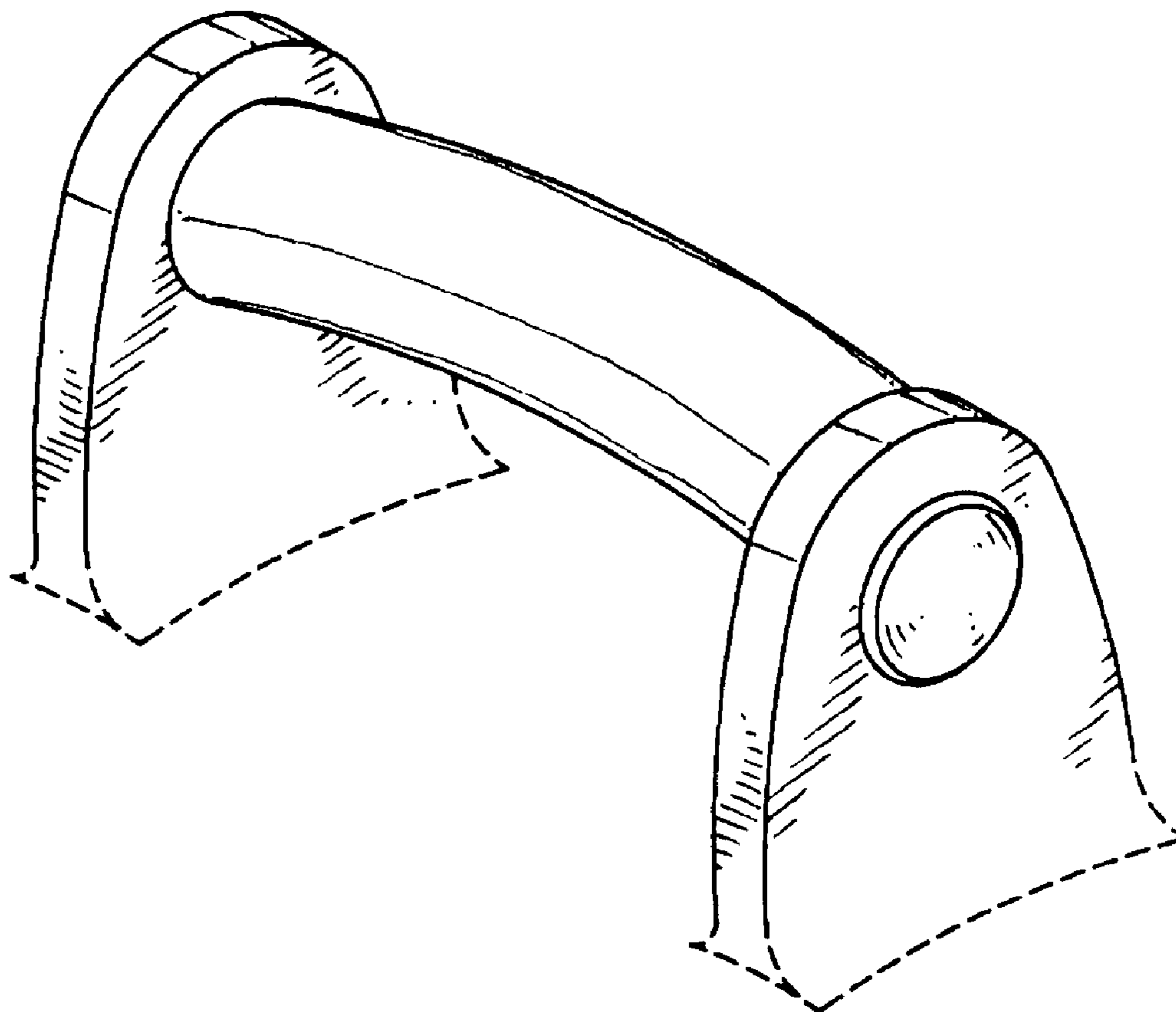
FIG. 3 is a side view of the handle;

FIG. 4 is a top view of the handle; and,

FIG. 5 is an end view of the handle.

The broken line showing of structure is for illustrative purposes only and forms no part of the claimed design.

**1 Claim, 2 Drawing Sheets**



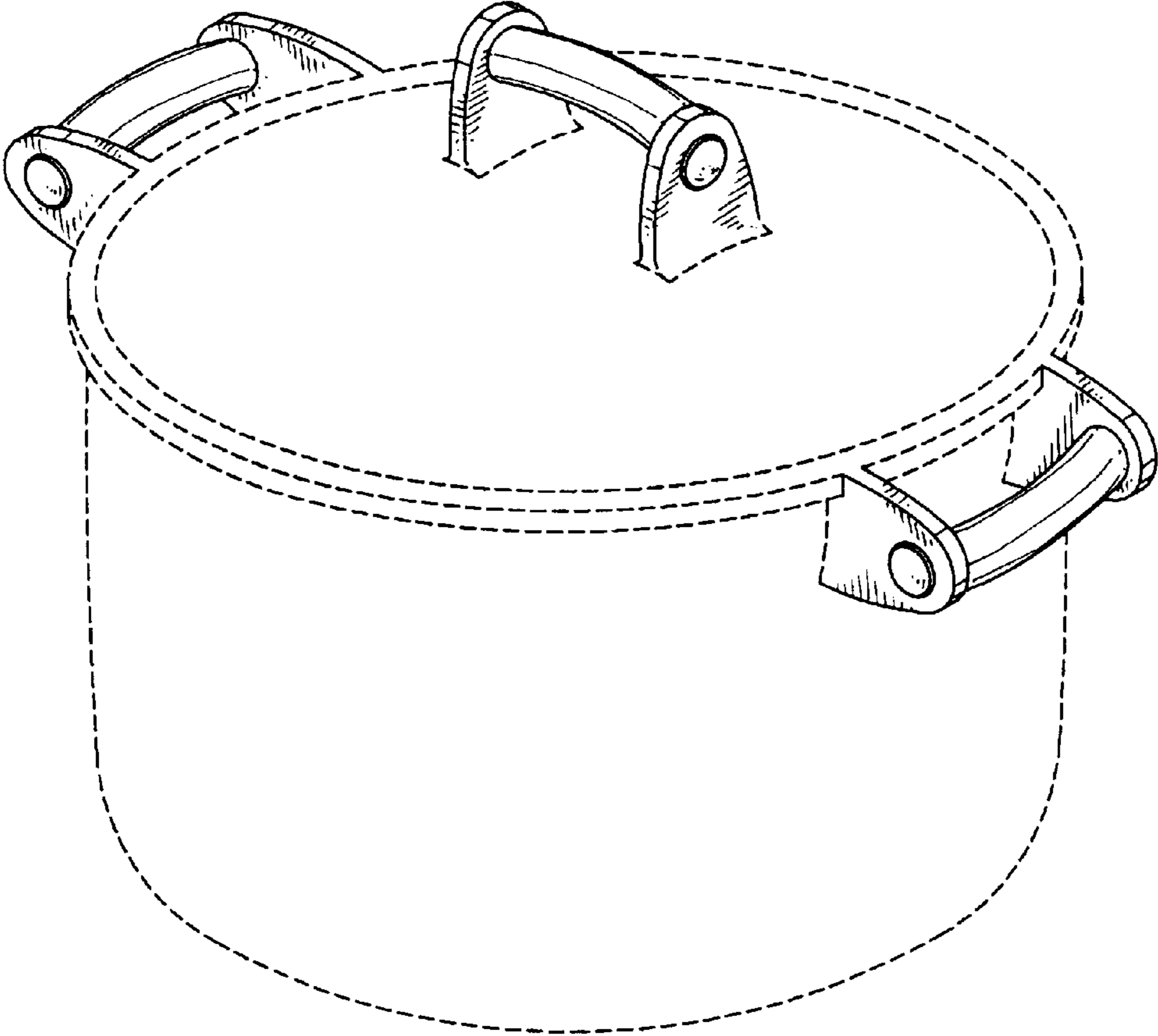


FIG. 1

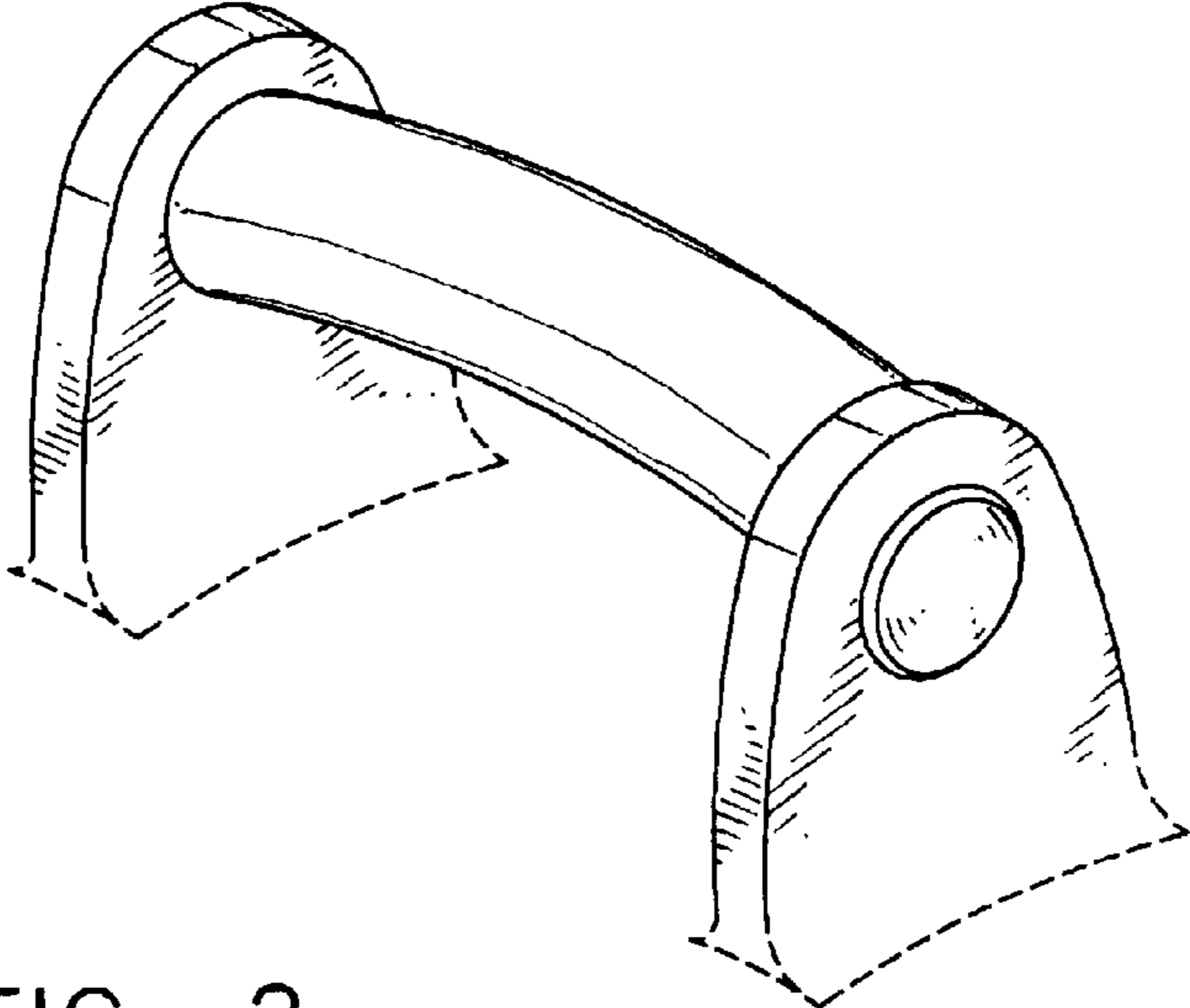


FIG. 2

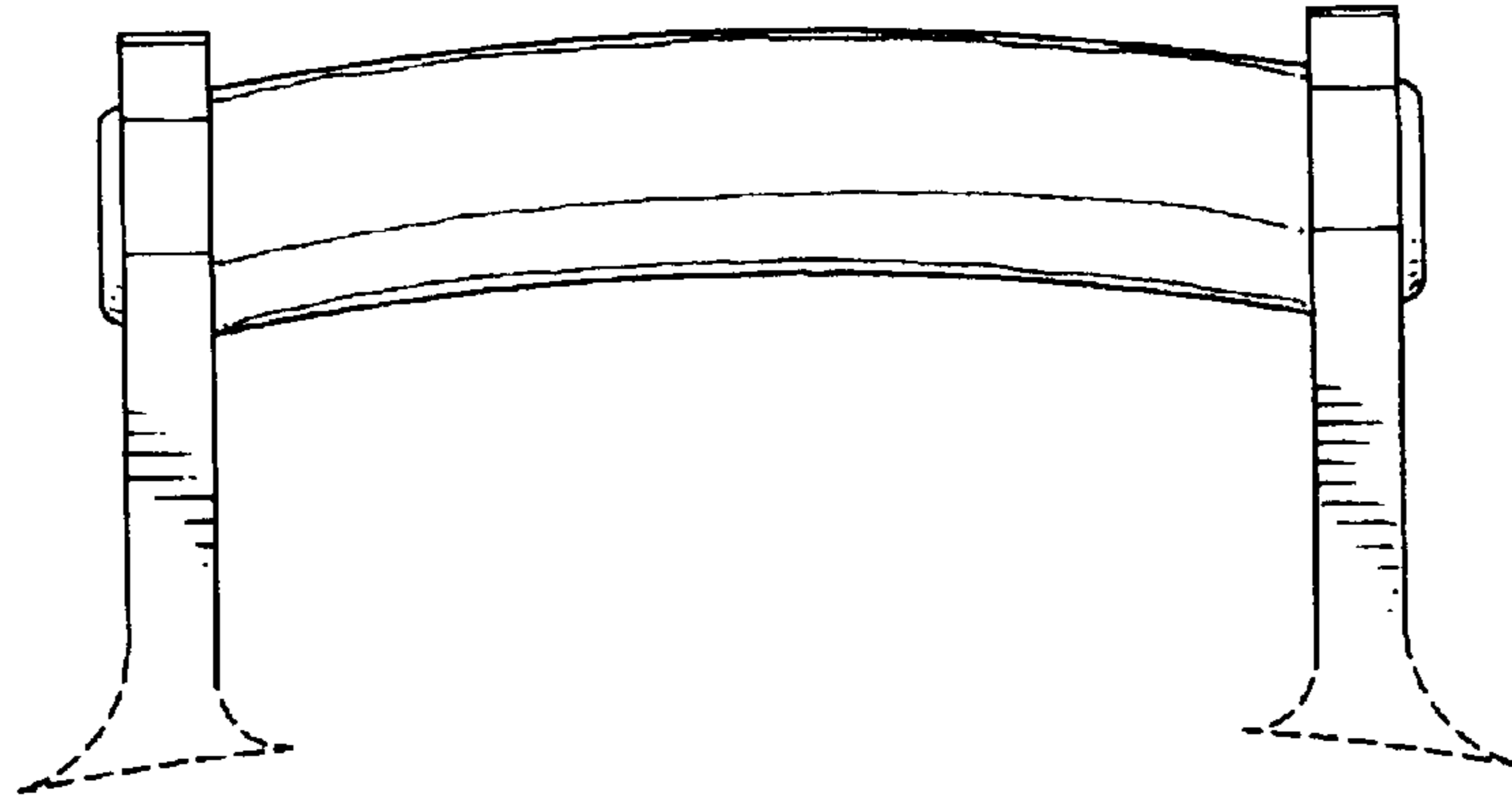


FIG. 3

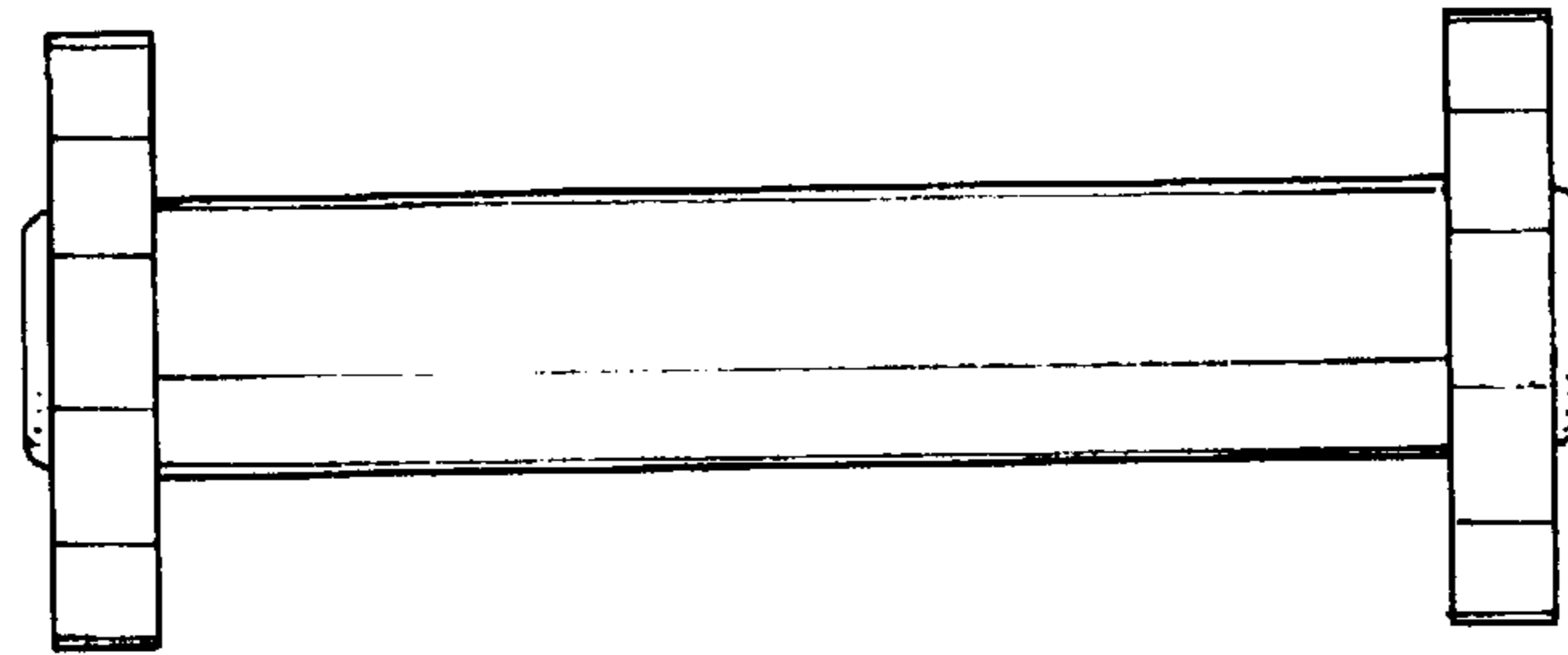


FIG. 4

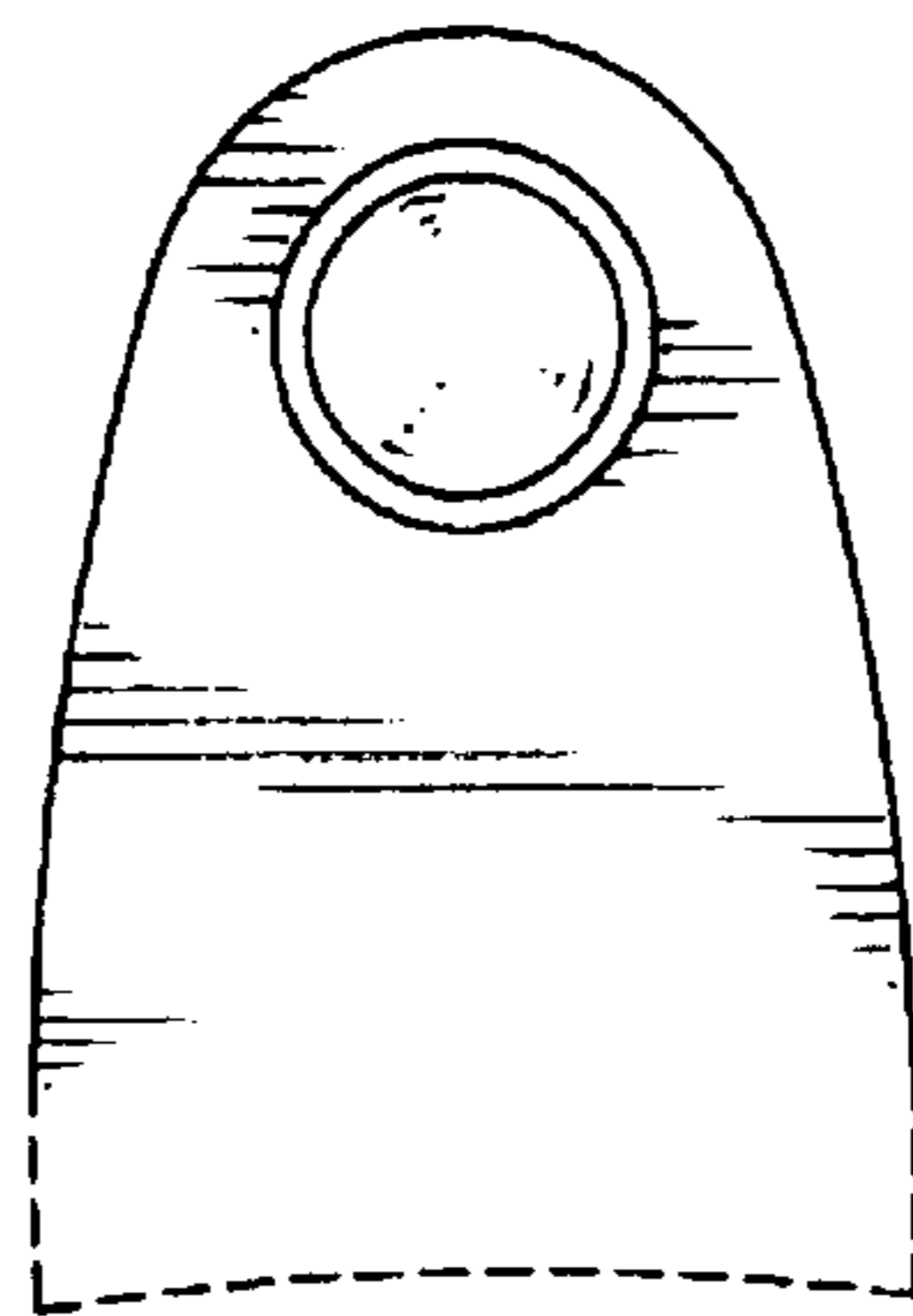


FIG. 5