



US00D514375S

(12) **United States Design Patent**
Montano

(10) **Patent No.:** **US D514,375 S**

(45) **Date of Patent:** **** Feb. 7, 2006**

(54) **SPLATTER-CONTROL COVER WITH HANDLE AND VENT ORIFICES FOR MICROWAVE OVEN**

(76) **Inventor:** **Gary Montano**, 325 10th Ave. SW., Rio Rancho, NM (US) 87124

(**) **Term:** **14 Years**

(21) **Appl. No.:** **29/202,454**

(22) **Filed:** **Apr. 1, 2004**

(51) **LOC (8) Cl.** **07-02**

(52) **U.S. Cl.** **D7/391**

(58) **Field of Classification Search** D7/323, D7/354-361, 391, 392.4, 500, 538, 540, 601, D7/610, 629; 125/369; 220/573.1, 574, 912, 220/780; 206/564

See application file for complete search history.

(56) **References Cited**

U.S. PATENT DOCUMENTS

D26,706 S	*	3/1897	Eagle	D7/391
D28,261 S	*	2/1898	Bowers	D7/391
D50,645 S	*	4/1917	Brock	D7/391
D173,807 S	*	1/1955	Livermore	D7/391
D196,457 S		10/1963	Wagner		
D263,441 S	*	3/1982	Johnson et al.	D7/391
4,404,241 A		9/1983	Mueller et al.		
4,486,640 A		12/1984	Bowen et al.		
D279,759 S	*	7/1985	Cesaroni et al.	D7/391
4,745,249 A		5/1988	Daniels		

D297,298 S	*	8/1988	Sarnoff et al.	D7/391
5,288,962 A		2/1994	Lorence et al.		
D347,142 S	*	5/1994	Falvo	D7/391
5,493,103 A		2/1996	Kuhn		
5,726,426 A		3/1998	Davis et al.		
D427,846 S	*	7/2000	Hajwanie	D7/391
D438,754 S	*	3/2001	Mendelson	D7/391
D495,196 S	*	8/2004	Howell et al.	D7/361

* cited by examiner

Primary Examiner—Joel A. Sincavage

Assistant Examiner—Vy Nguyen

(74) *Attorney, Agent, or Firm*—Donald R. Schoonover

(57) **CLAIM**

I claim the ornamental design for a splatter-control cover with handle and vent orifices for microwave oven, as shown and described.

DESCRIPTION

FIG. 1 is a perspective view of a splatter-control cover with handle and vent orifices for microwave oven showing my new design;

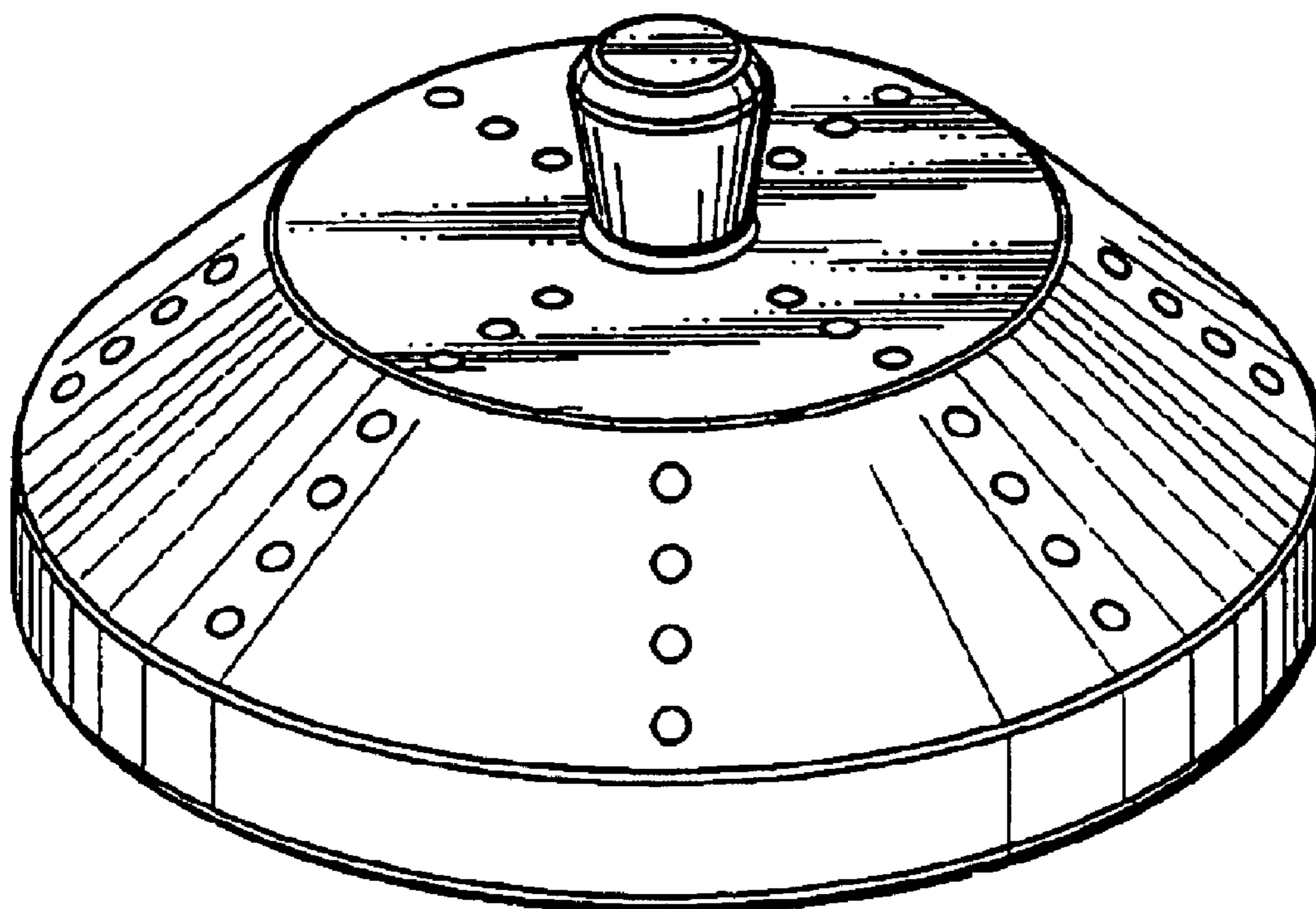
FIG. 2 is a top plan view thereof;

FIG. 3 is a side elevational view thereof;

FIG. 4 is a bottom plan view thereof; and,

FIG. 5 is a perspective view showing the splatter-control cover with handle and vent orifices for microwave oven in use; the broken lines depict environmental structure for illustrative purposes only and form no part of the claimed design.

1 Claim, 3 Drawing Sheets



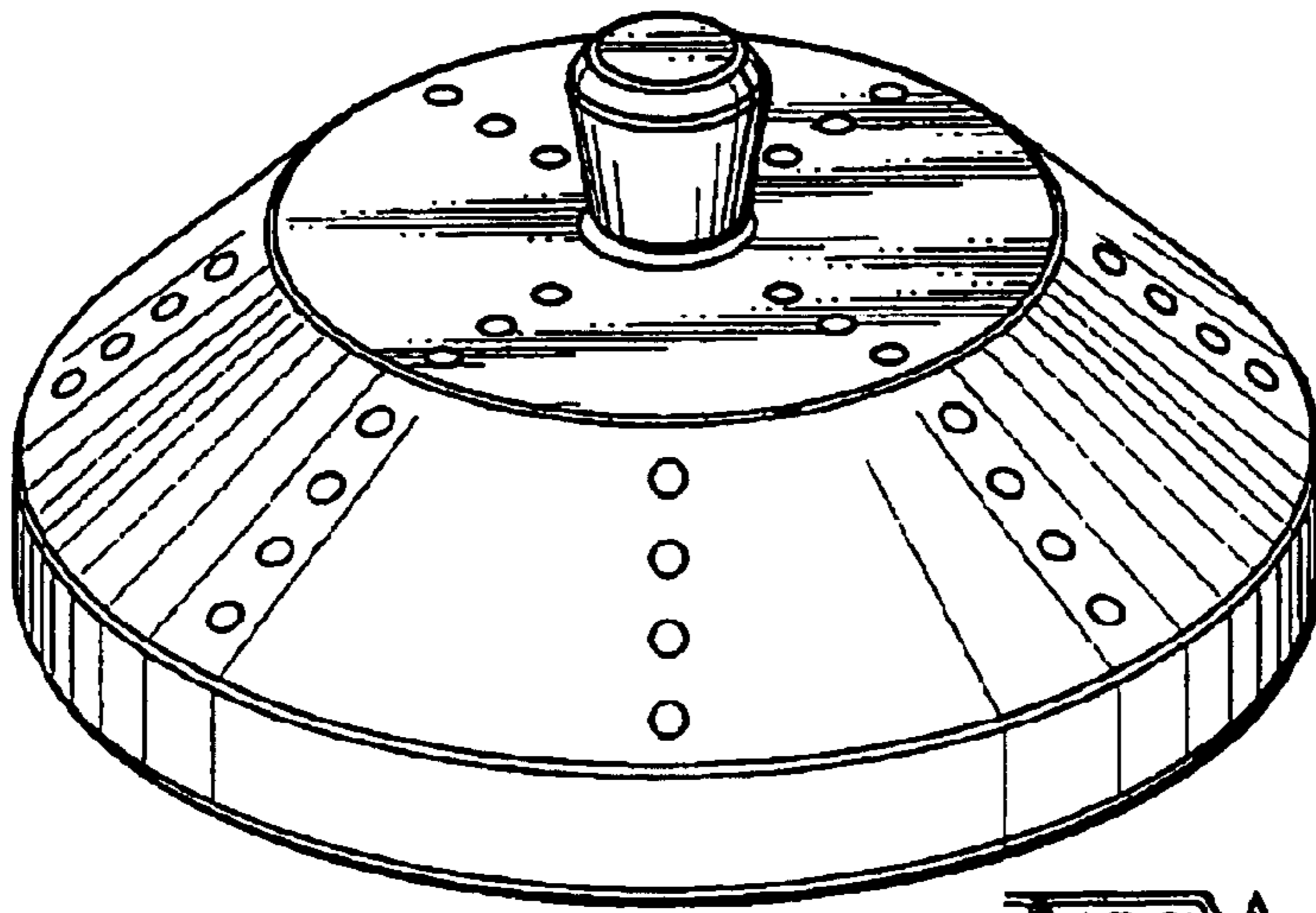


FIG. 1

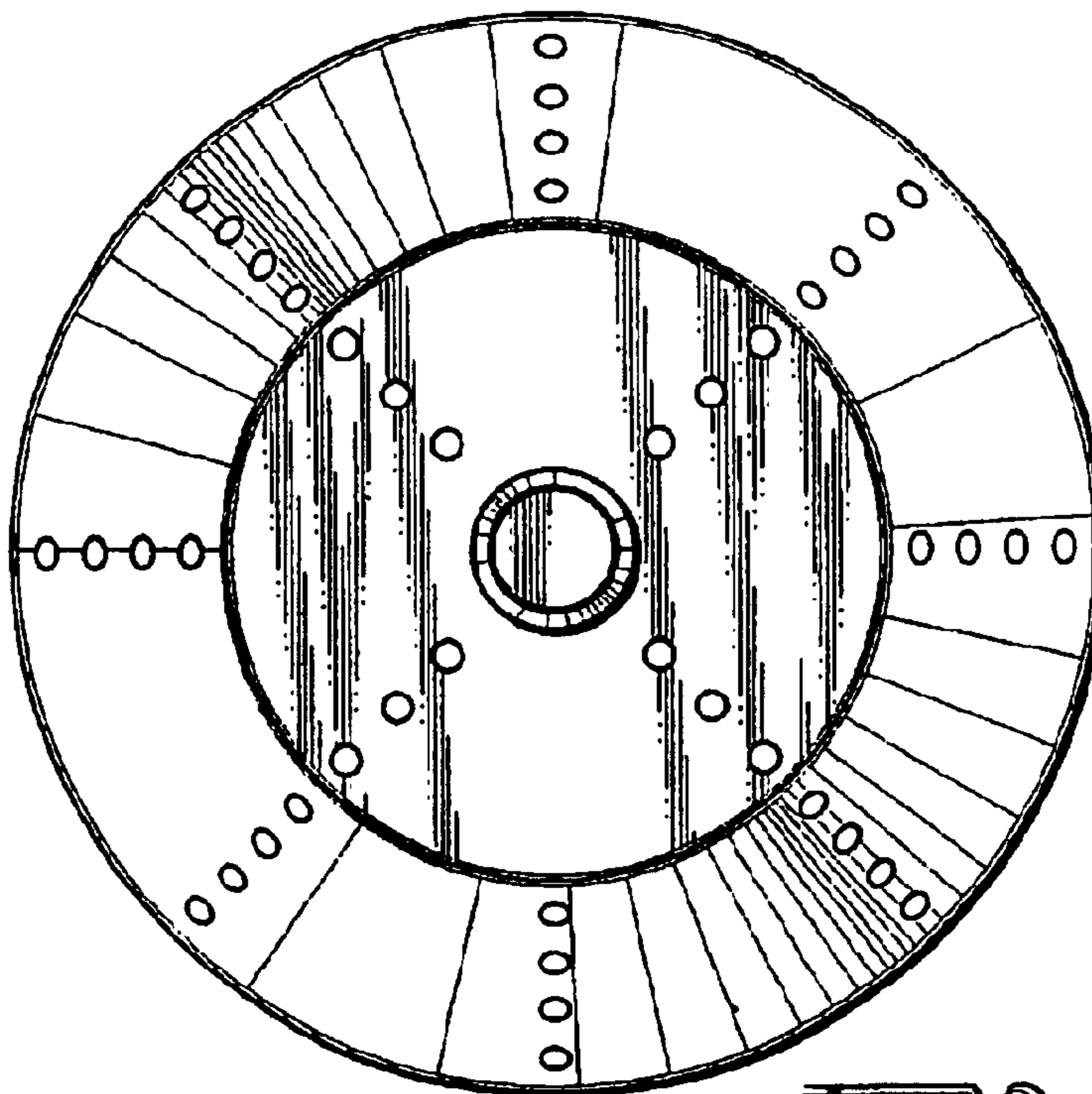


FIG. 2

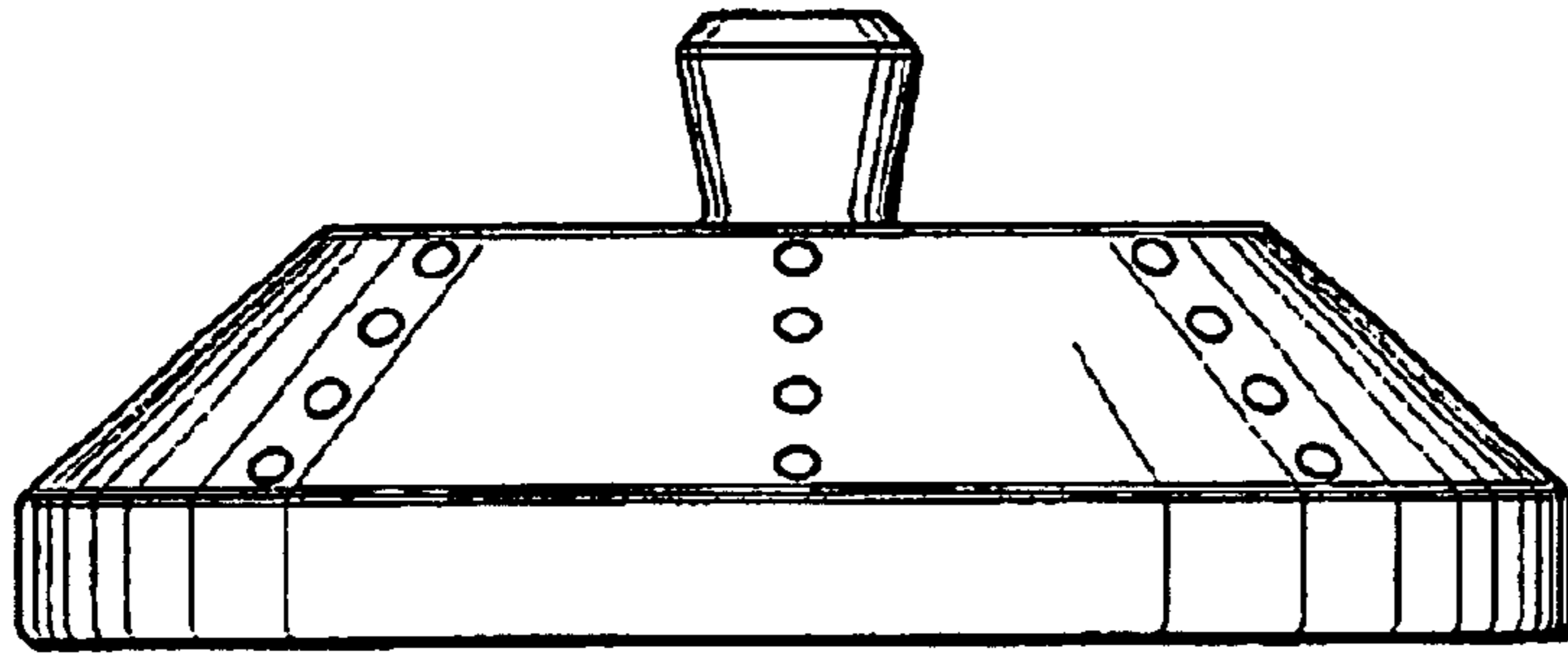


FIG. 3

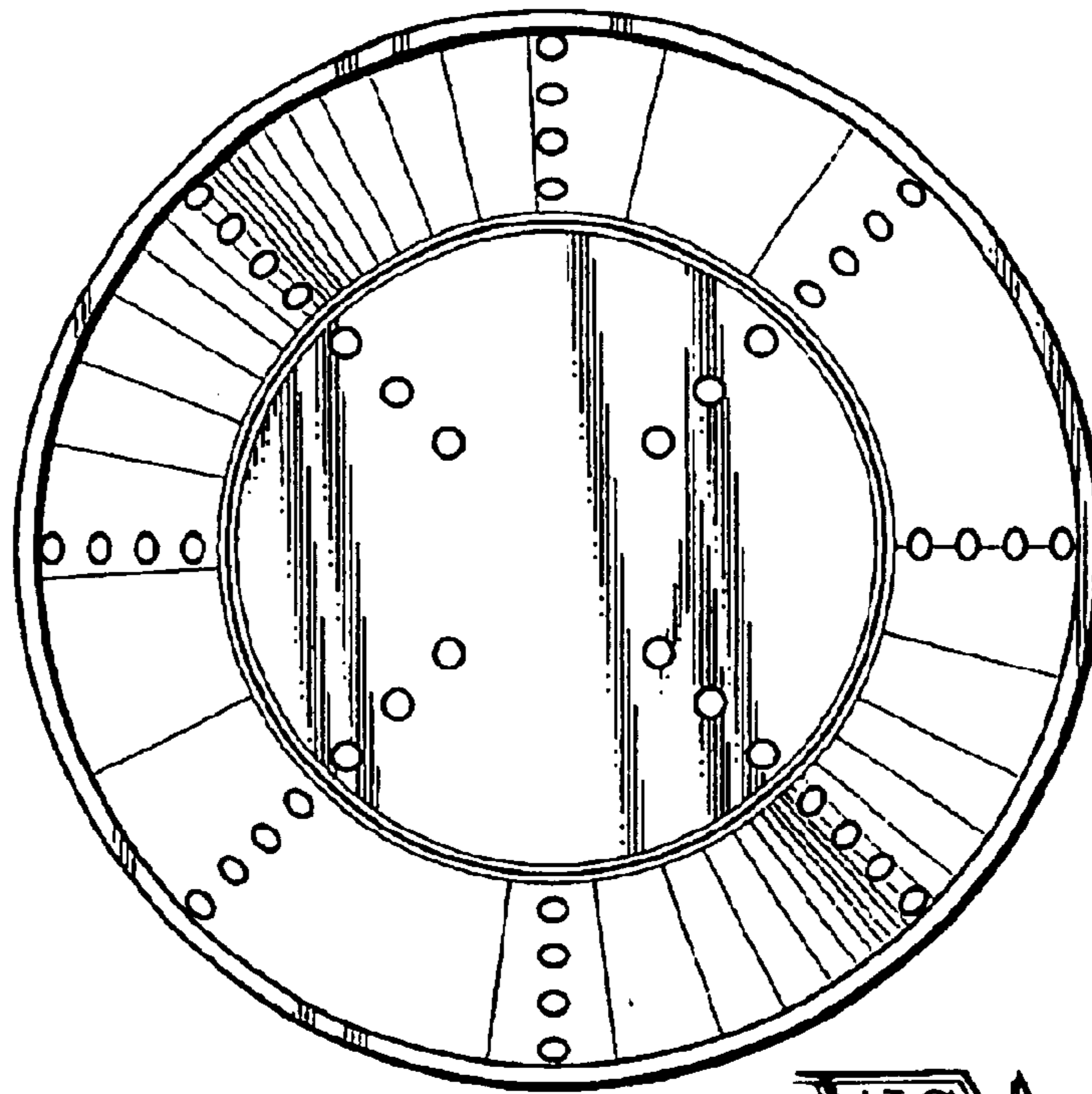


FIG. 4

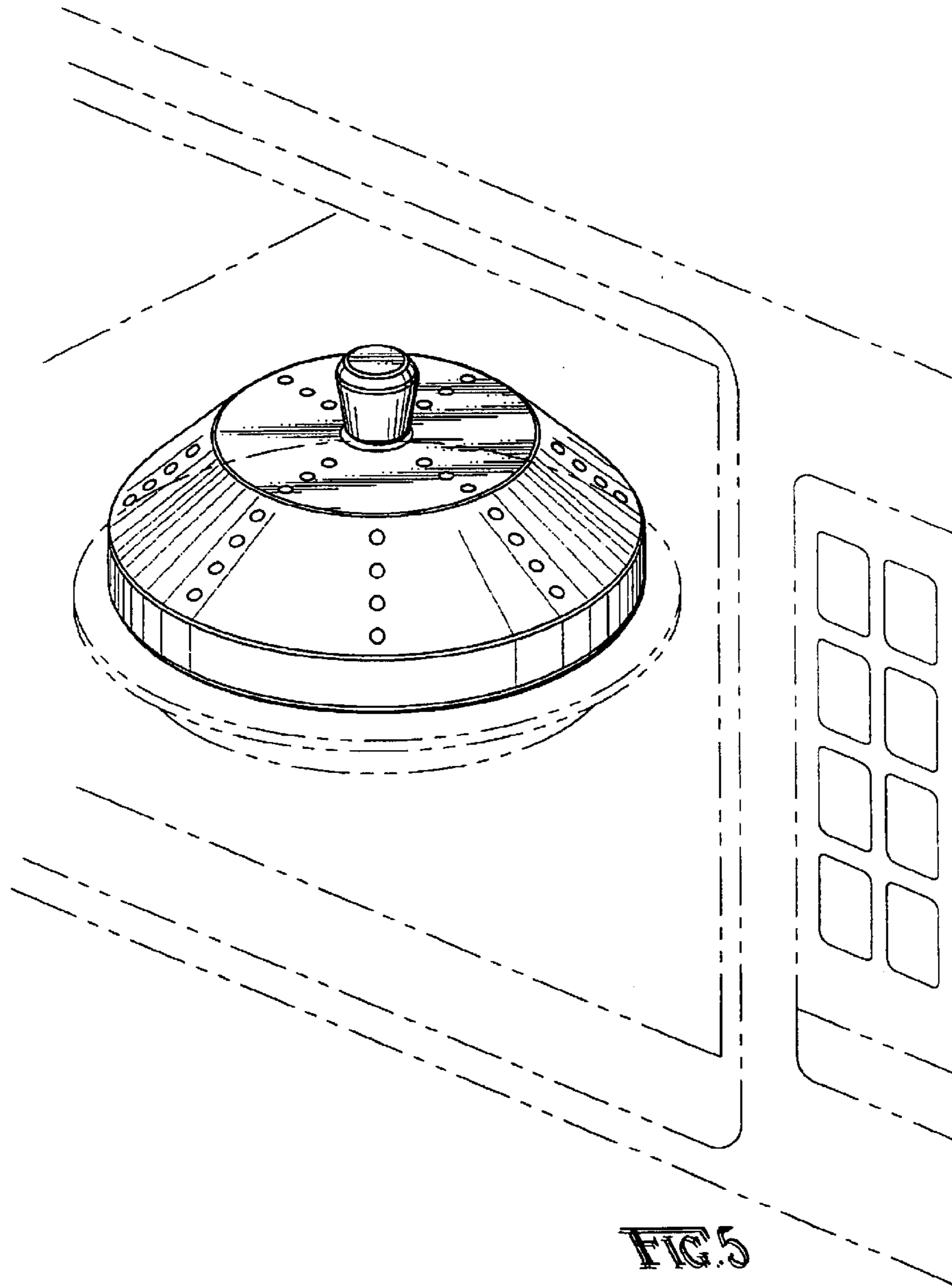


FIG. 5