



US00D514374S

(12) **United States Design Patent**
Settele

(10) **Patent No.:** **US D514,374 S**

(45) **Date of Patent:** **** Feb. 7, 2006**

(54) **TRIVET**

(75) **Inventor:** **Ignaz Settele, Kaufbeuren (DE)**

(73) **Assignee:** **Maxpat Trading & Marketing (Far East) Limited (HK)**

(**) **Term:** **14 Years**

(21) **Appl. No.:** **29/205,863**

(22) **Filed:** **May 21, 2004**

(30) **Foreign Application Priority Data**

Aug. 1, 2004 (EM) 123708

(51) **LOC (8) Cl.** **07-99**

(52) **U.S. Cl.** **D7/388**

(58) **Field of Classification Search** D7/704,
D7/388, 213, 387, 624.1, 409; 211/49.1;
29/428; 219/451.1, 468.1, 729, 732; 206/423;
126/40; 248/346.01, 346.11, 346.07, 150,
248/153; 99/419; 215/394, 376; D21/385,
D21/386, 387, 437, 436, 473, 505; D11/143-156,
D11/164; 220/743, 573.3; D27/126

See application file for complete search history.

(56) **References Cited**

U.S. PATENT DOCUMENTS

2,848,115 A * 8/1958 Shapiro 211/49.1

D216,270 S * 12/1969 Beckman D7/388
D259,762 S * 7/1981 Sabin D7/388
D405,290 S * 2/1999 Hollinger D6/403
D413,458 S * 9/1999 Haserjian D6/458
D479,783 S * 9/2003 Ancona D7/388
D506,353 S * 6/2005 Heiberg et al. D7/388

* cited by examiner

Primary Examiner—M. N. Pandozzi

(74) *Attorney, Agent, or Firm*—Ostrolenk, Faber, Gerb & Soffen, LLP

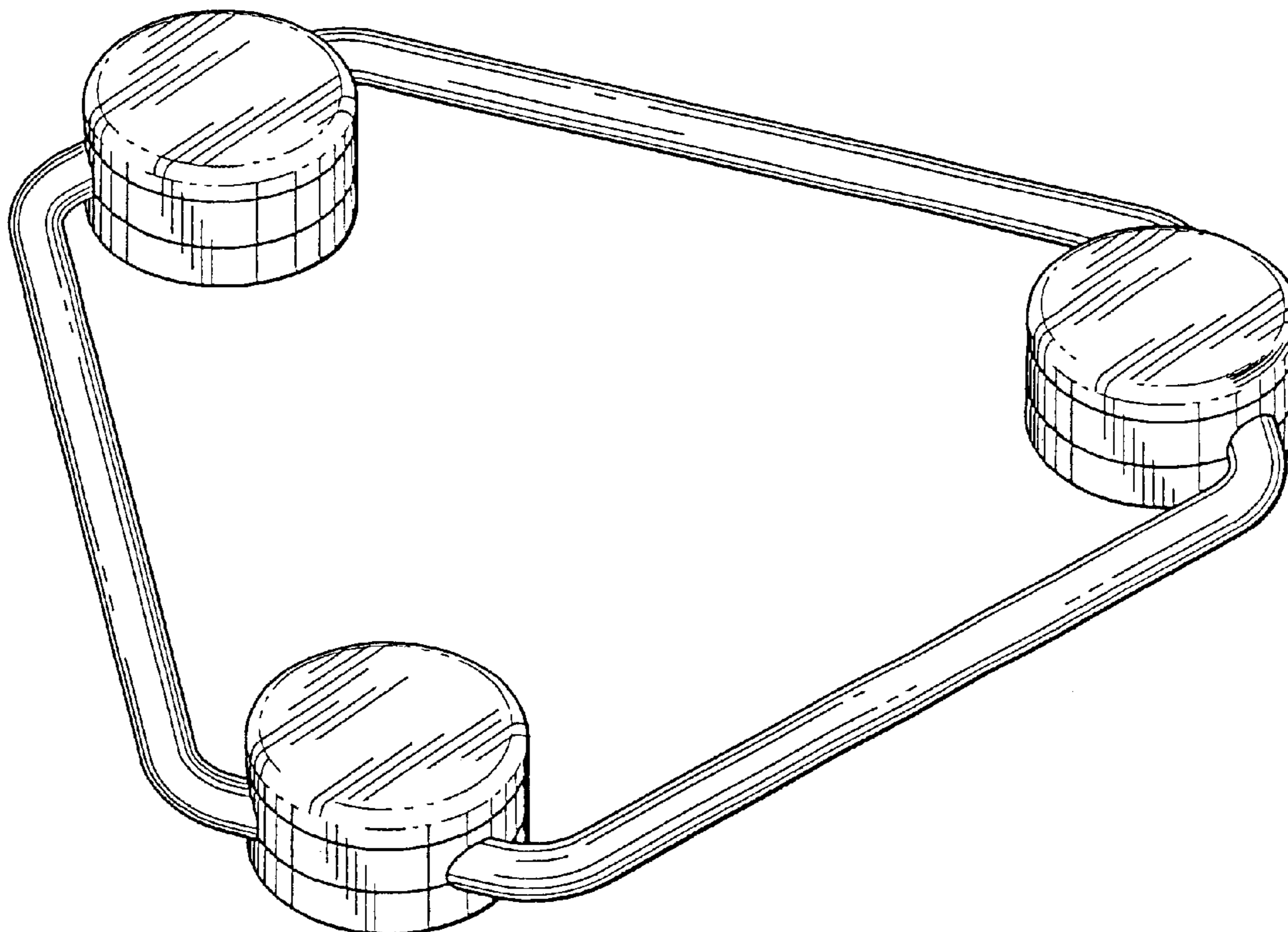
(57) **CLAIM**

The ornamental design for a trivet, as shown and described.

DESCRIPTION

FIG. 1 is a perspective view;
FIG. 2 is a perspective view showing the underside of the feet in an alternative position;
FIG. 3 is a top plan view of FIG. 1;
FIG. 4 is a first side view thereof;
FIG. 5 is an opposite side view thereof;
FIG. 6 is a bottom plan view thereof;
FIG. 7 is a side view at 90° to first side view; and,
FIG. 8 is a side view at 270° to first side view.

1 Claim, 5 Drawing Sheets



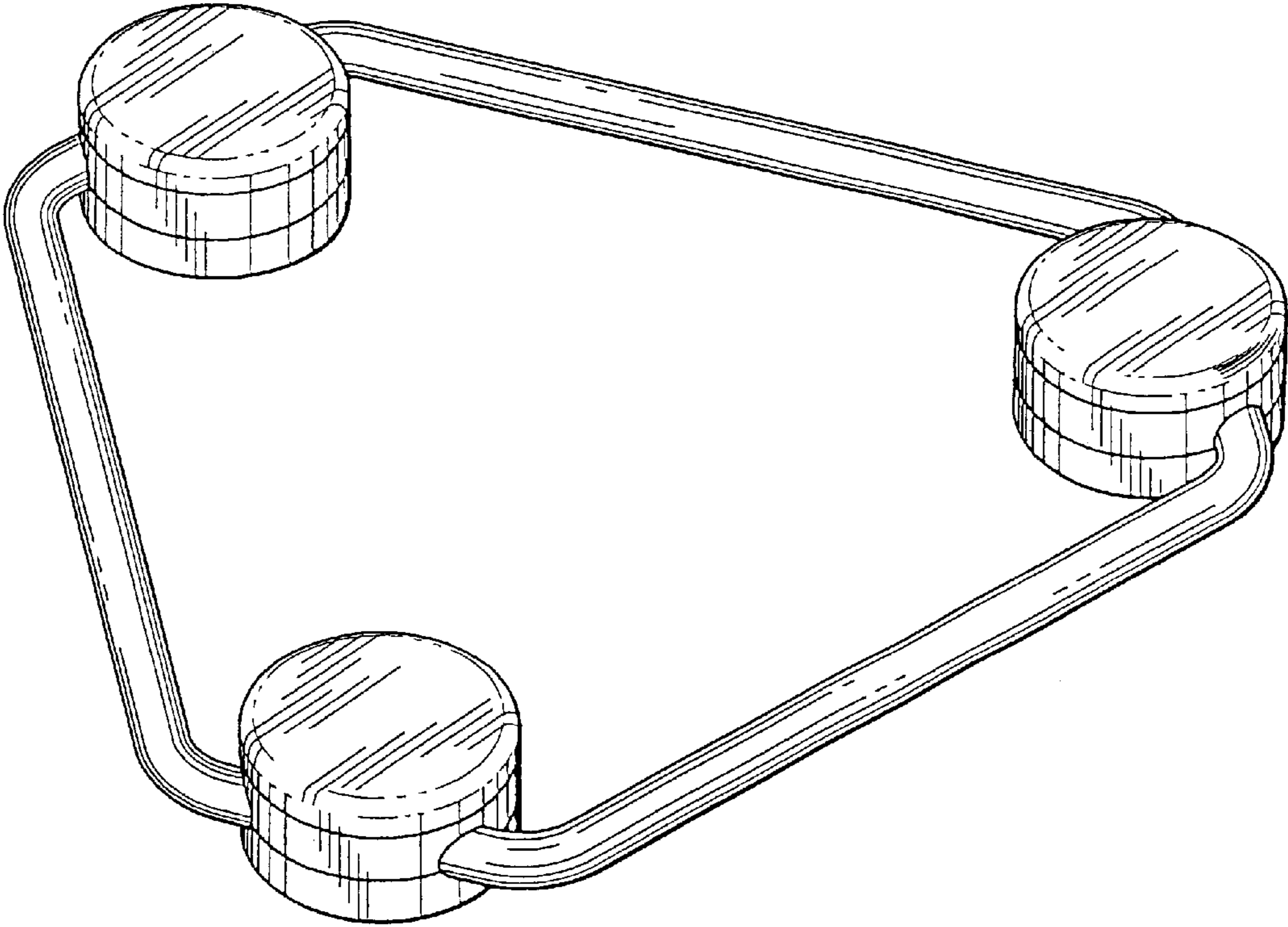


FIG. 1

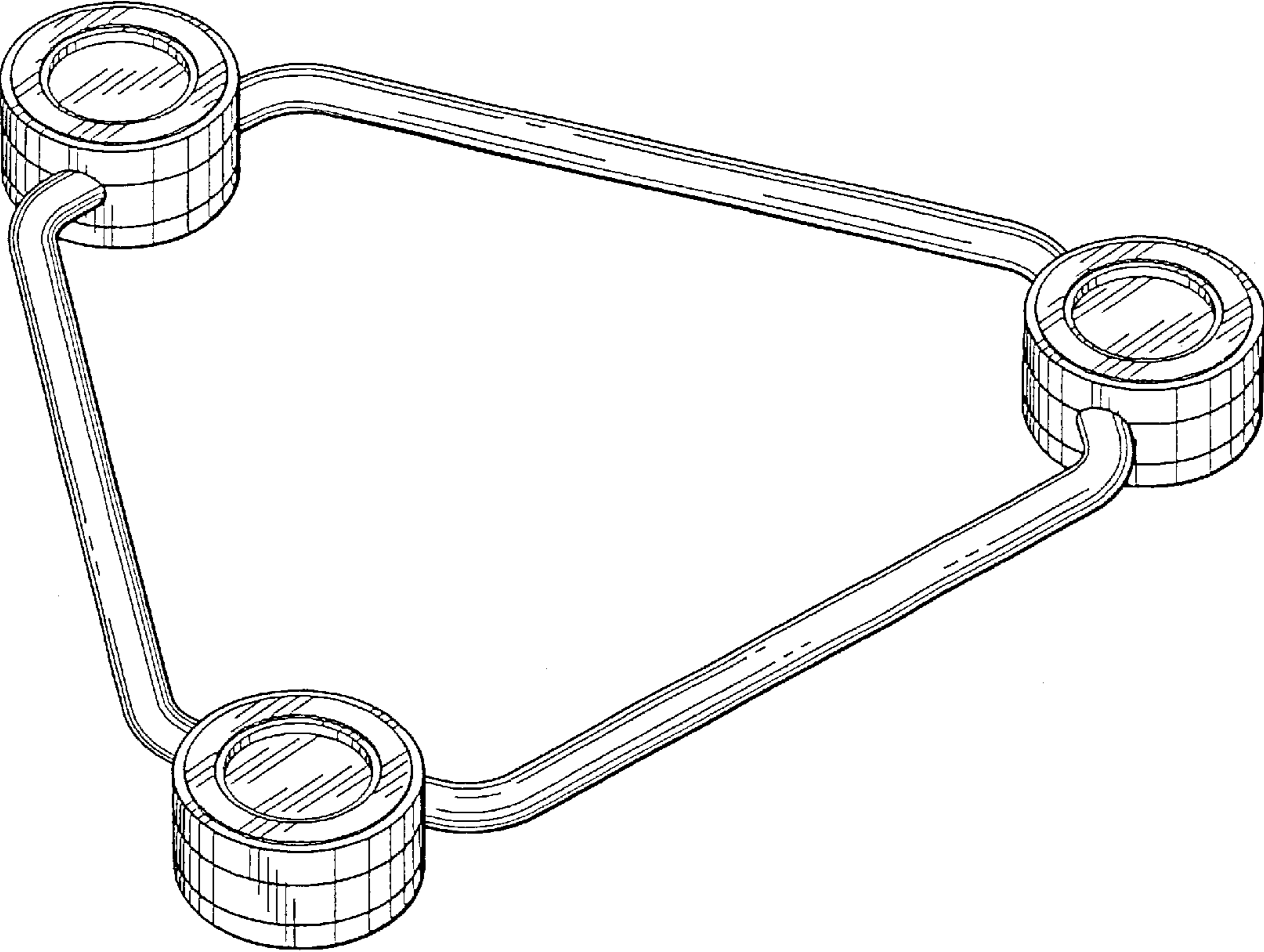


FIG. 2

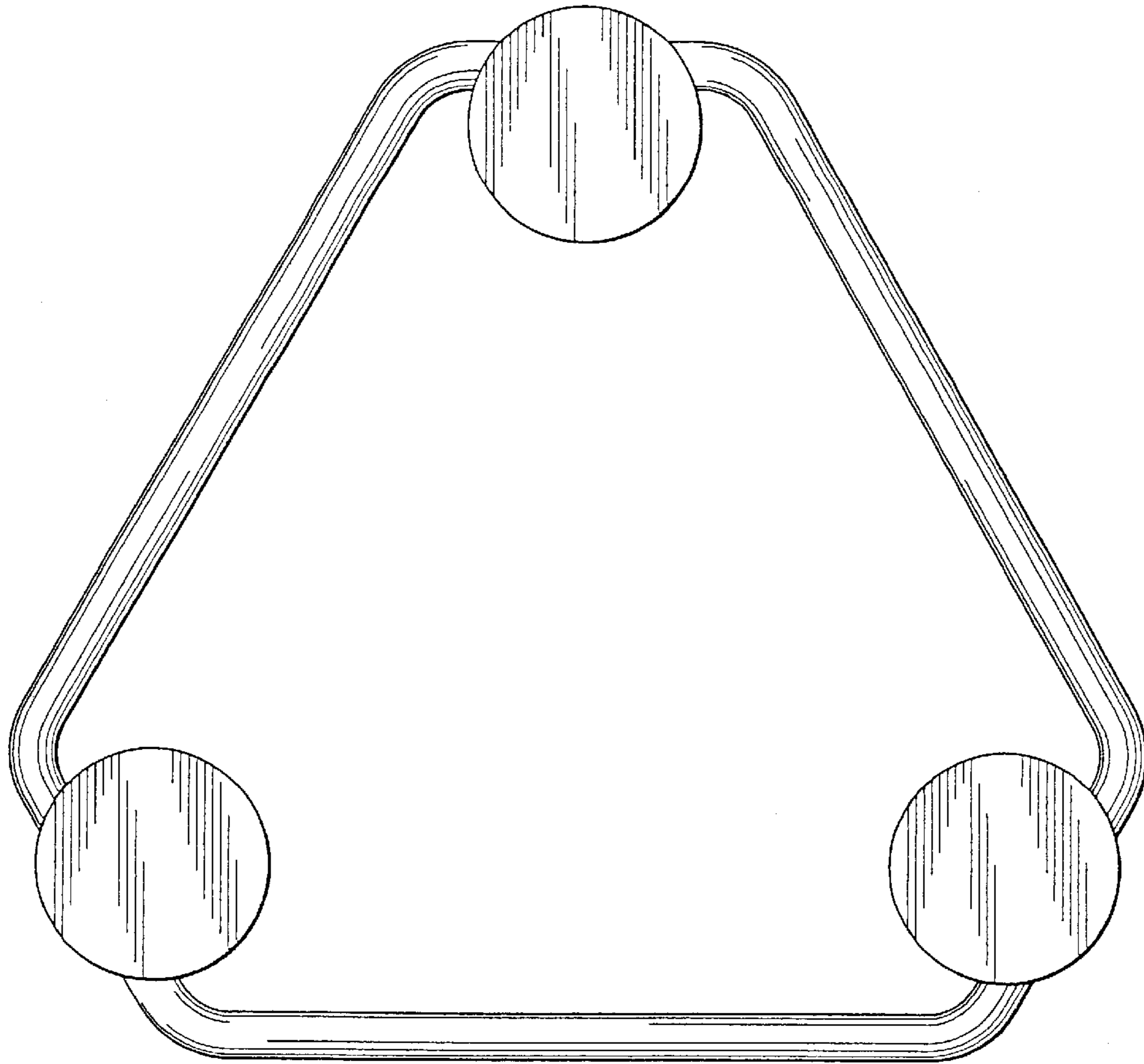


FIG. 3

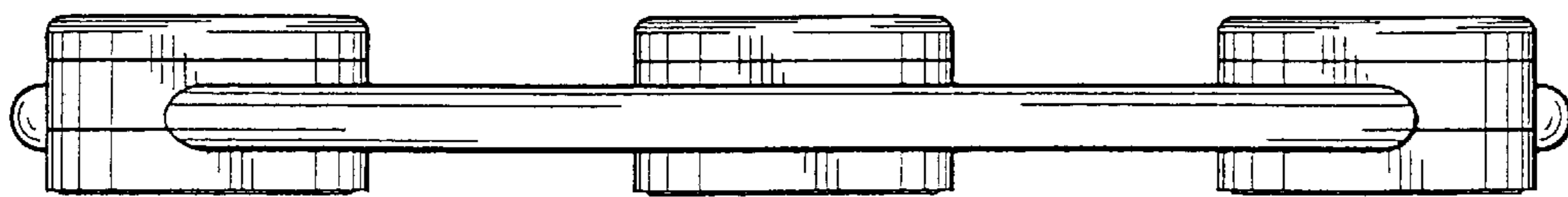


FIG. 4

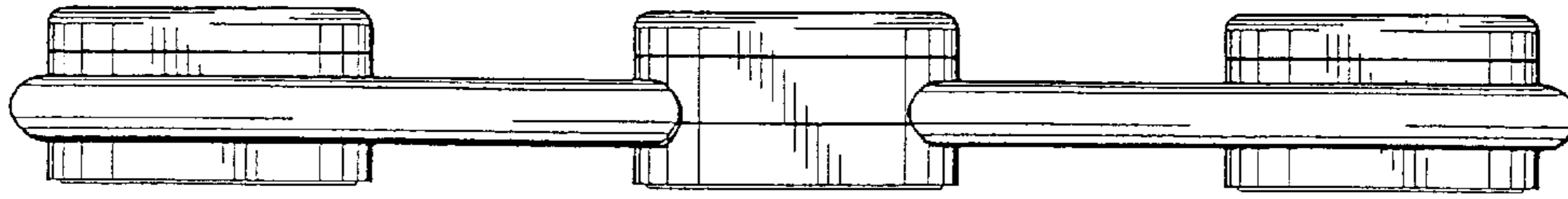


FIG. 5

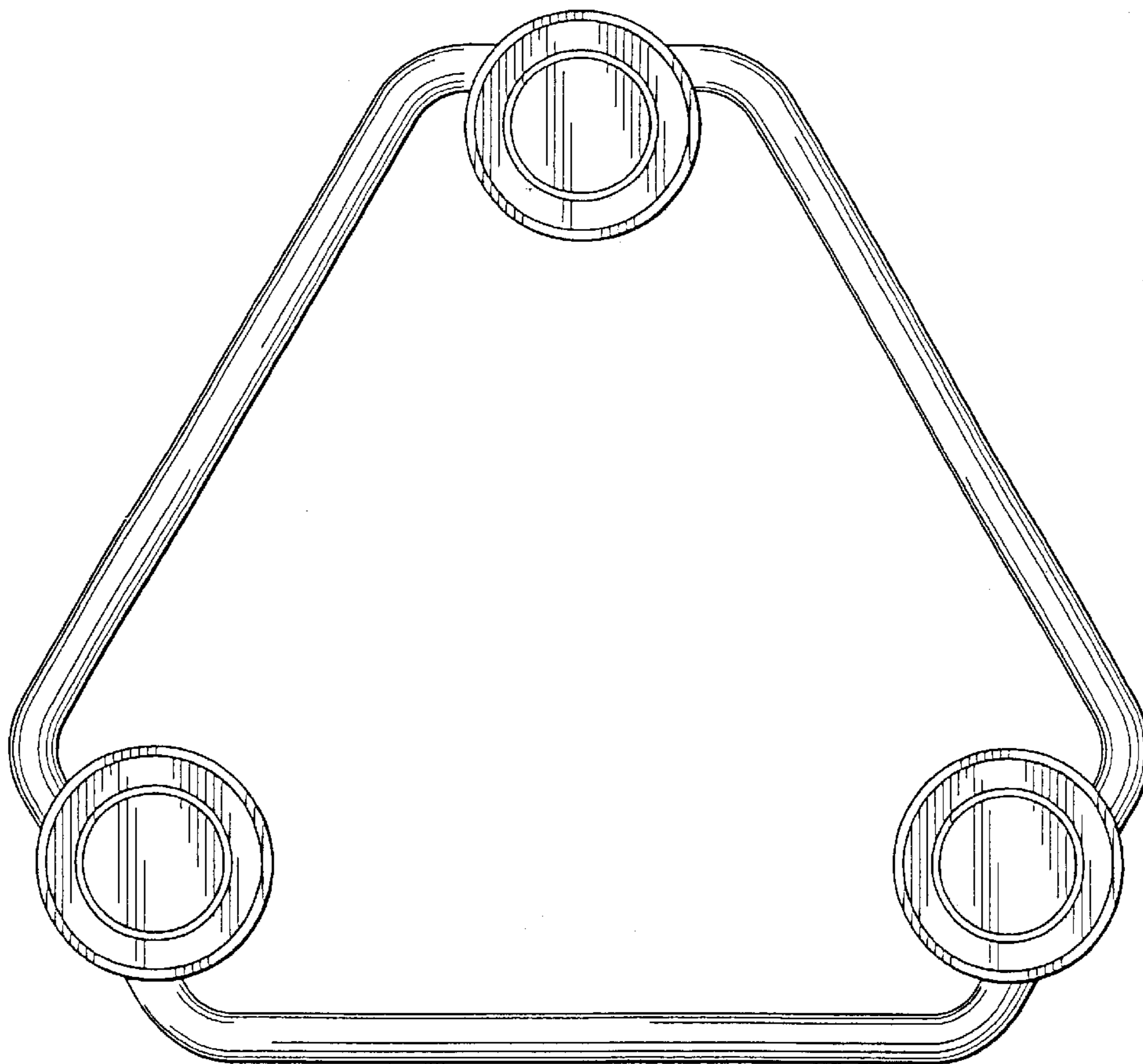


FIG. 6

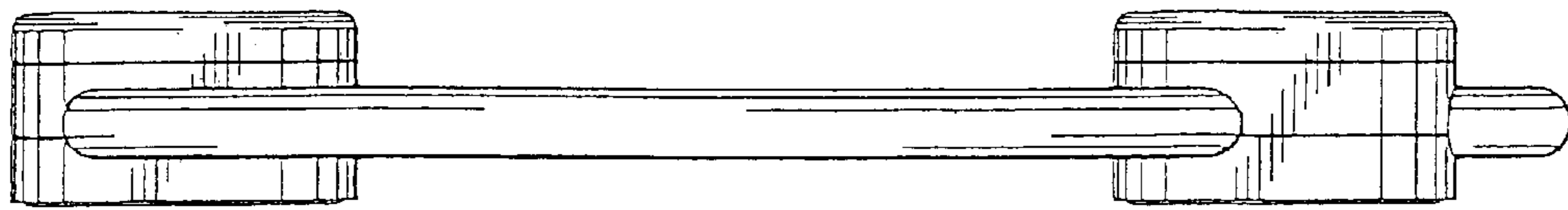


FIG. 7

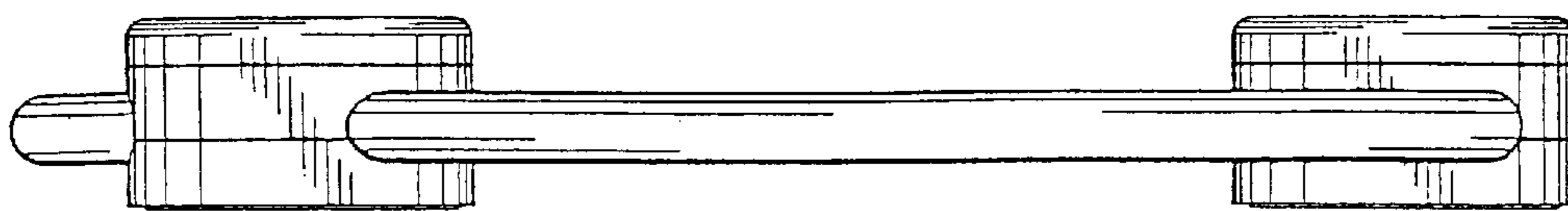


FIG. 8