



US00D514371S

(12) **United States Design Patent**
Yang et al.

(10) **Patent No.:** **US D514,371 S**
(45) **Date of Patent:** **** Feb. 7, 2006**

(54) **COFFEE MAKER**

(75) Inventors: **Frank Yang**, Rancho Palos Verdes, CA (US); **Adam C. Wade**, Rancho Santa Margarita, CA (US); **Myk Wayne Lum**, Irvine, CA (US)

(73) Assignee: **Simplehuman LLC**, Torrance, CA (US)

(**) Term: **14 Years**

(21) Appl. No.: **29/200,196**

(22) Filed: **Feb. 25, 2004**

(51) **LOC (8) Cl.** **07-01**

(52) **U.S. Cl.** **D7/309; D7/311; D7/306**

(58) **Field of Classification Search** D7/309, D7/310, 311, 306, 307, 308, 300, 305; 222/129.1, 222/129.2, 129.3, 129.4, 129.5; 141/360; 138/110, DIG. 8; 219/497, 494, 506; 392/442, 392/457; 261/121.1; 99/280, 279, 295, 289 R, 99/293, 281; 999/304, 307

See application file for complete search history.

(56) **References Cited**

U.S. PATENT DOCUMENTS

- D269,183 S * 5/1983 Asten D7/309
- D344,205 S * 2/1994 Saltet D7/309
- D379,049 S * 5/1997 Amiel D7/305
- D381,237 S * 7/1997 De'Longhi D7/309

- D397,904 S * 9/1998 Longhi D7/309
- D408,681 S * 4/1999 Lin D7/309
- D409,875 S * 5/1999 Alonge et al. D7/309
- D430,448 S * 9/2000 De'Longhi D7/309
- D431,409 S * 10/2000 Man D7/309
- D437,173 S * 2/2001 Naft et al. D7/309
- D478,242 S * 8/2003 Garman D7/309
- D478,765 S * 8/2003 Seum et al. D7/308
- D496,214 S * 9/2004 Ledingham et al. D7/309
- 2003/0188801 A1 * 10/2003 Garman 141/360

* cited by examiner

Primary Examiner—M. N. Pandozzi

(74) *Attorney, Agent, or Firm*—Raymond Sun

(57) **CLAIM**

The ornamental design for the coffee maker, as shown and described.

DESCRIPTION

FIG. 1 is a perspective view of a coffee maker according to the present invention.

FIG. 2 is a top plan view of the coffee maker of FIG. 1

FIG. 3 is a bottom plan view of the coffee maker of FIG. 1

FIG. 4 is a left side view thereof;

FIG. 5 is a right side view thereof;

FIG. 6 is front elevational view thereof; and,

FIG. 7 is a rear elevational view thereof.

1 Claim, 7 Drawing Sheets

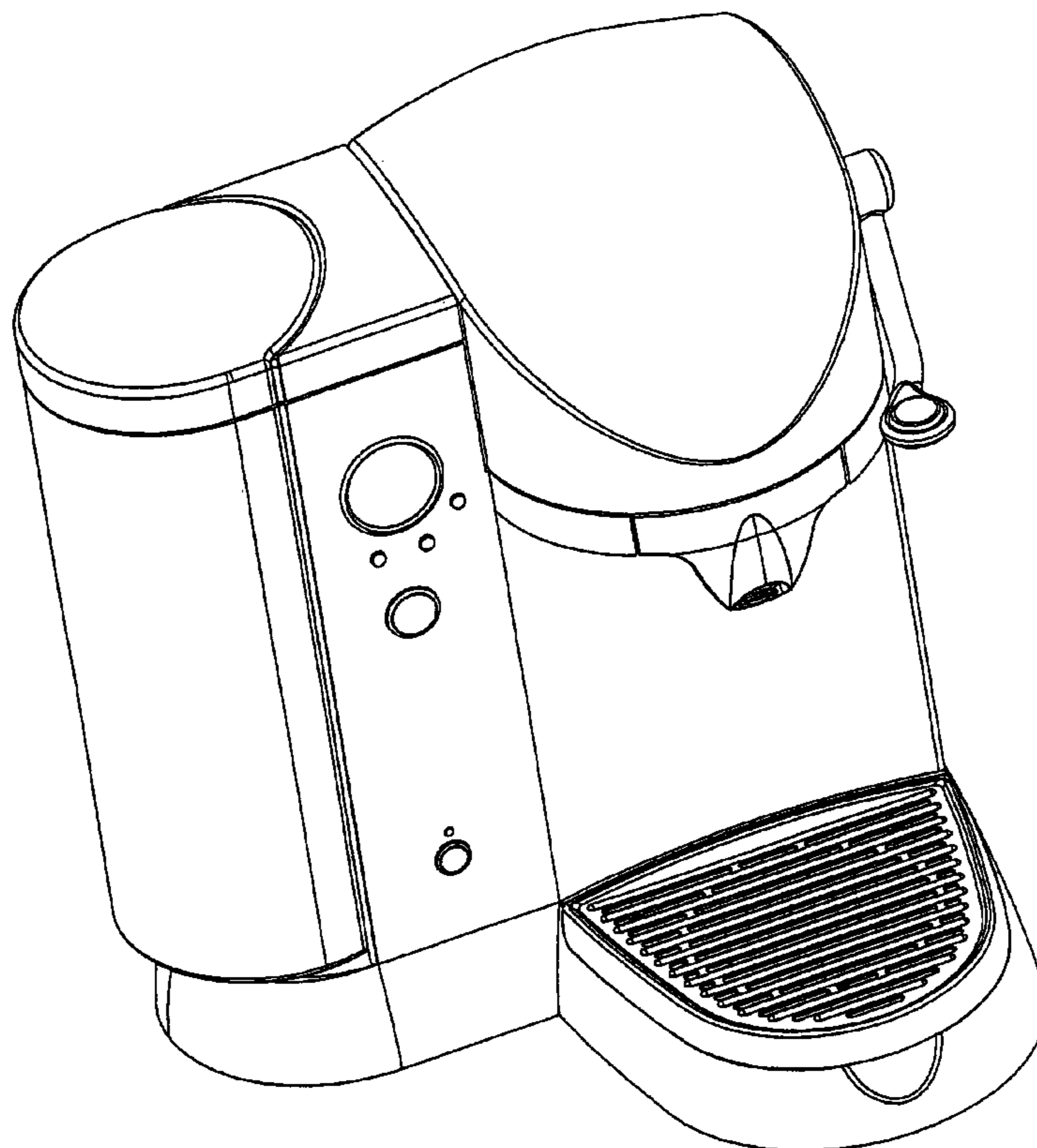
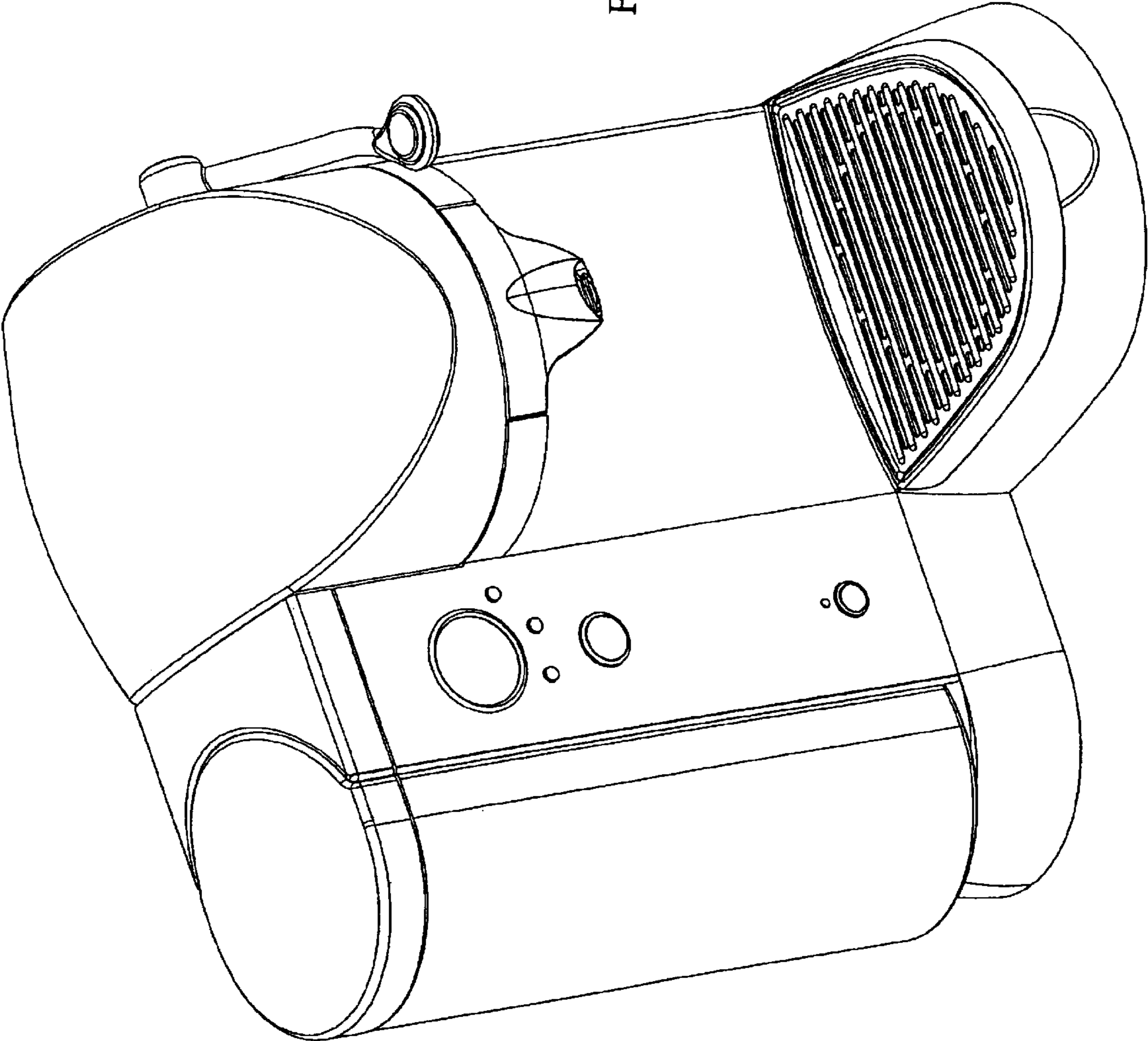


FIG. 1



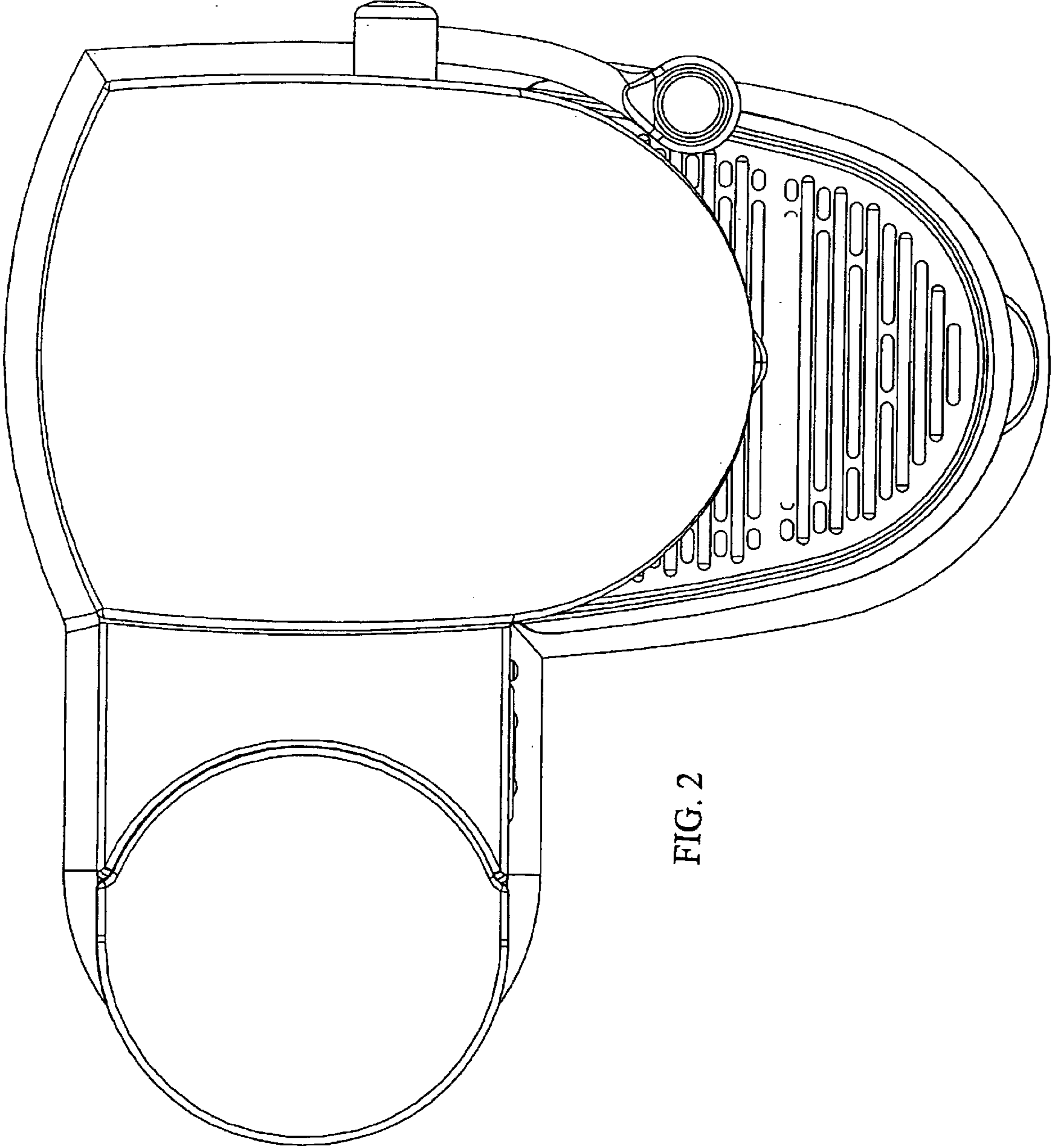


FIG. 2

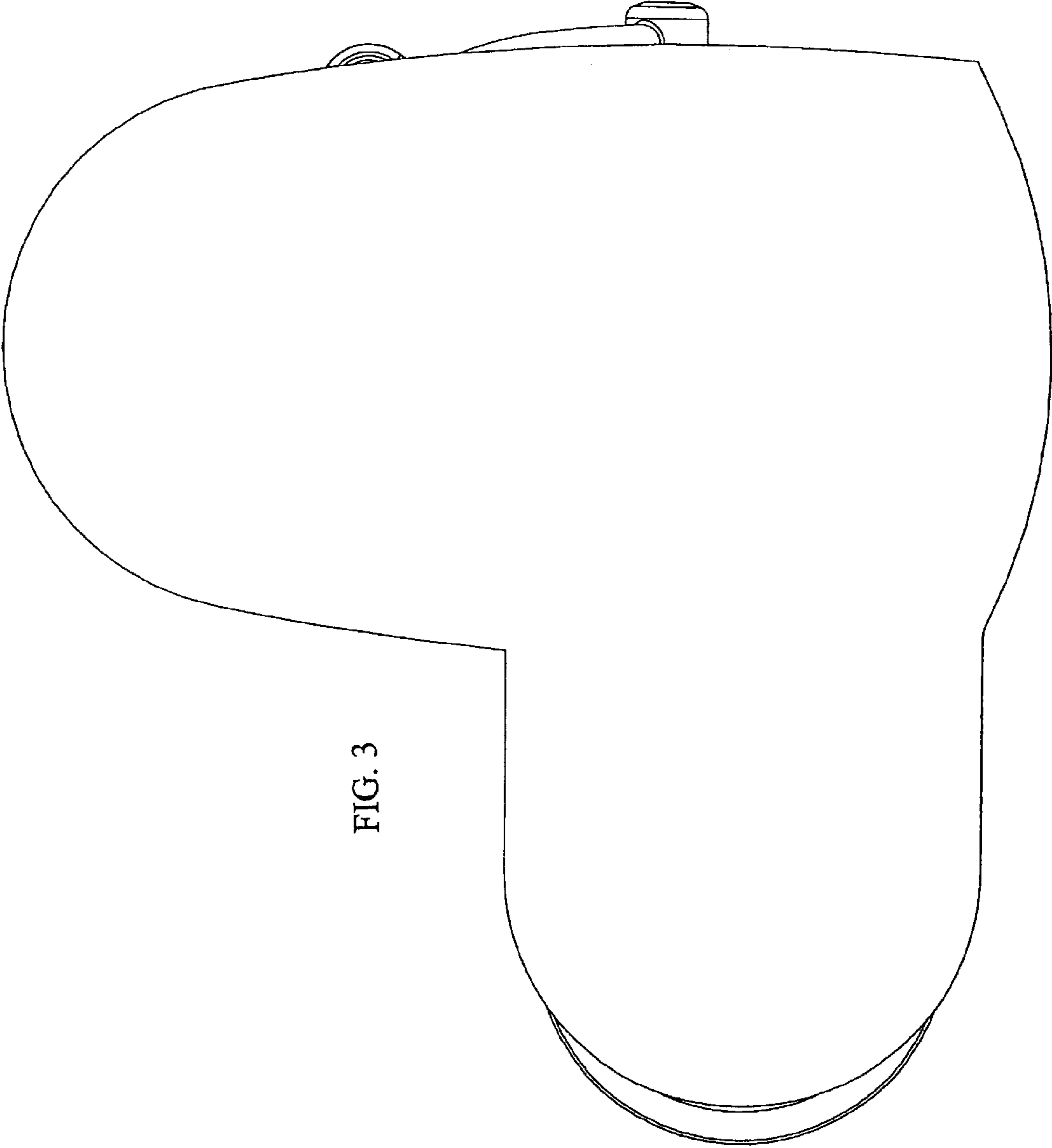
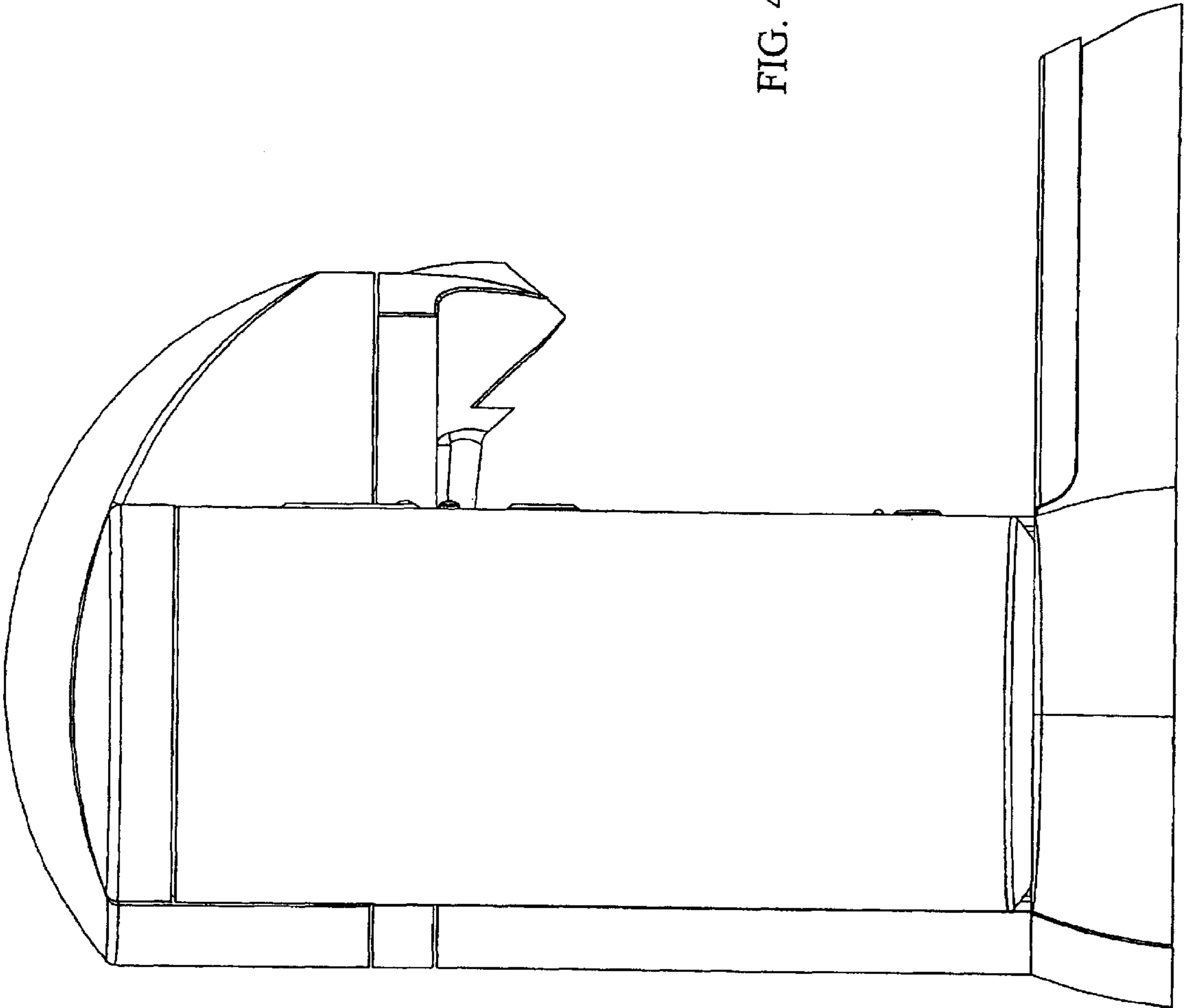


FIG. 3

FIG. 4



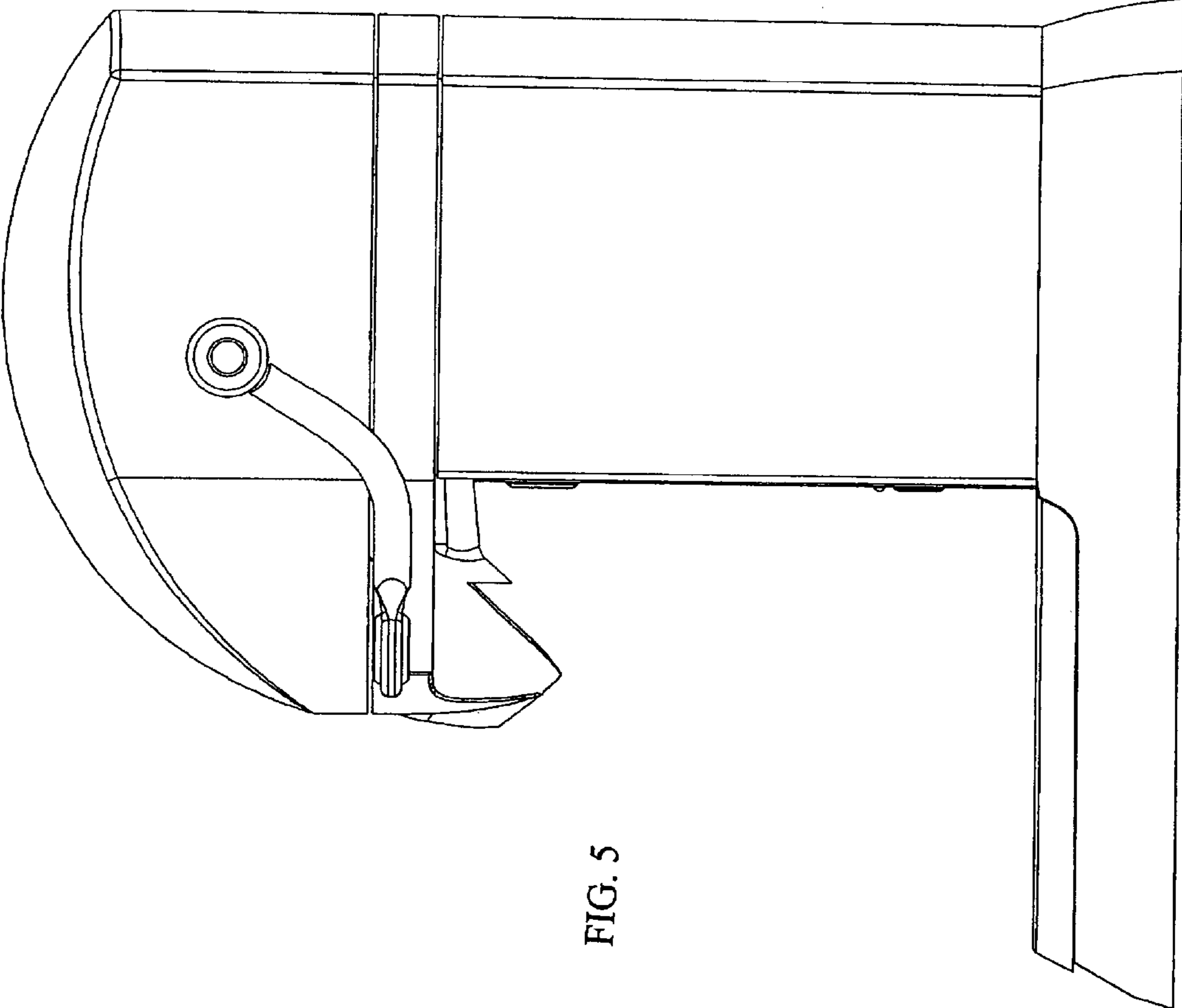


FIG. 5

FIG. 6

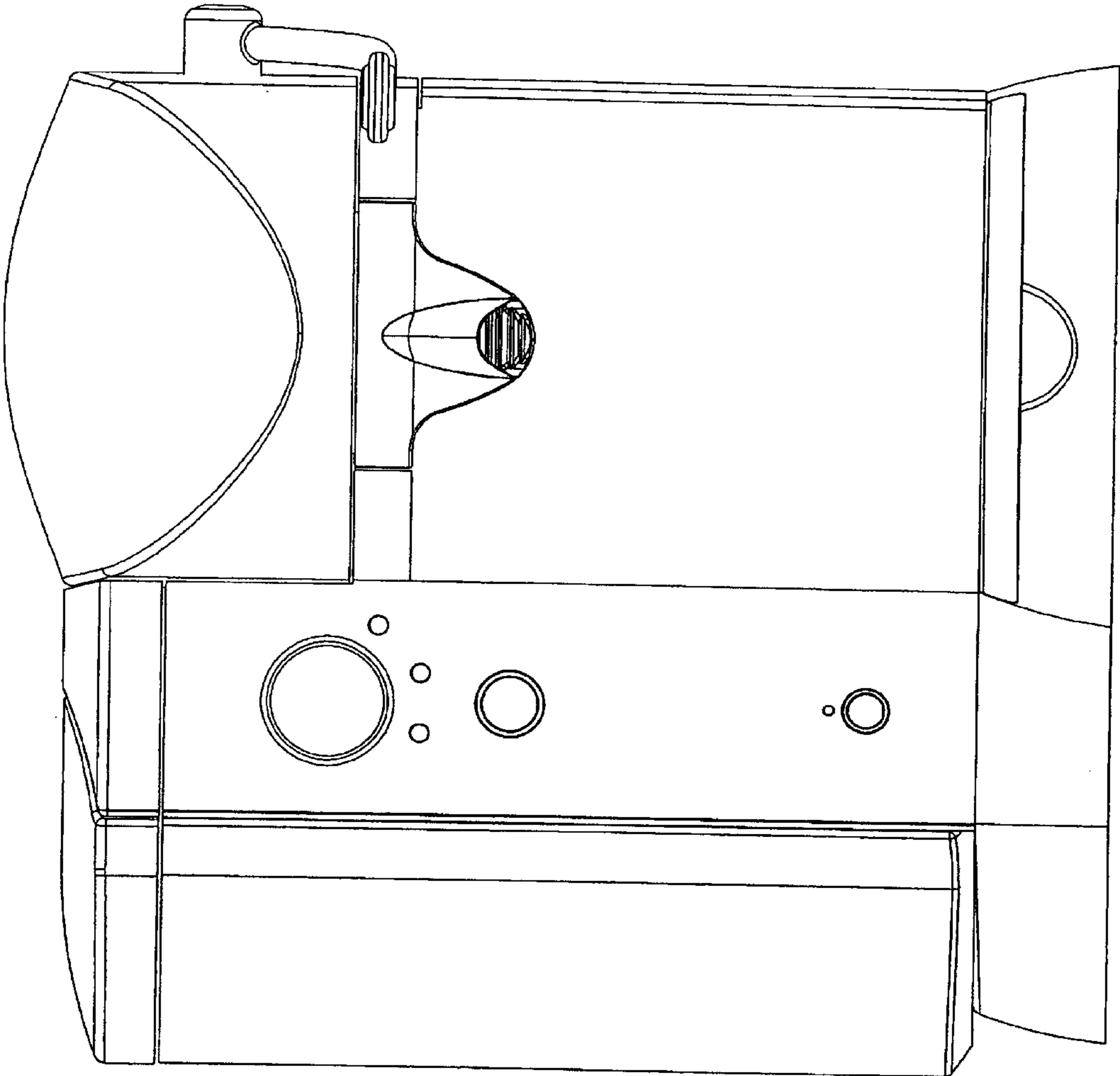


FIG. 7

