



US00D514370S

(12) **United States Design Patent**  
**Jacques**

(10) **Patent No.:** **US D514,370 S**  
(45) **Date of Patent:** **\*\* Feb. 7, 2006**

- (54) **COFFEE MACHINE**
- (75) **Inventor:** **M. Fouquet Jacques, Lyons (FR)**
- (73) **Assignee:** **Santos SA (FR)**
- (\*\*) **Term:** **14 Years**
- (21) **Appl. No.:** **29/197,745**
- (22) **Filed:** **Jan. 21, 2004**
- (30) **Foreign Application Priority Data**  
  - Jul. 22, 2003 (EM) ..... 000056619
- (51) **LOC (8) Cl.** ..... **07-01**
- (52) **U.S. Cl.** ..... **D7/309; D7/310; D7/311**
- (58) **Field of Classification Search** ..... **D7/309, D7/310, 311, 306, 307, 308, 300, 305; 222/129.1, 222/129.2, 129.3, 129.4, 129.5; 141/360; 138/110, DIG. 8; 219/497, 494, 506; 392/442, 392/467; 261/121.1; 99/280, 279, 295, 289 R, 99/293, 281, 304, 307**  
 See application file for complete search history.

- D413,757 S \* 9/1999 Munoz ..... D7/309
- D414,371 S \* 9/1999 Seiffert ..... D7/309
- D431,748 S \* 10/2000 Cahen ..... D7/309
- D431,749 S \* 10/2000 Cahen ..... D7/309
- D431,750 S \* 10/2000 Cahen ..... D7/309
- D431,751 S \* 10/2000 Cahen ..... D7/309
- D449,198 S \* 10/2001 Cahen ..... D7/309
- D449,199 S \* 10/2001 Cahen ..... D7/309
- D449,488 S \* 10/2001 Cahen ..... D7/309
- D489,217 S \* 5/2004 Seum et al. .... D7/309

\* cited by examiner

*Primary Examiner*—M. N. Pandozzi  
(74) *Attorney, Agent, or Firm*—Douglas E. Jackson; Stites & Harbison, PLLC

(57) **CLAIM**

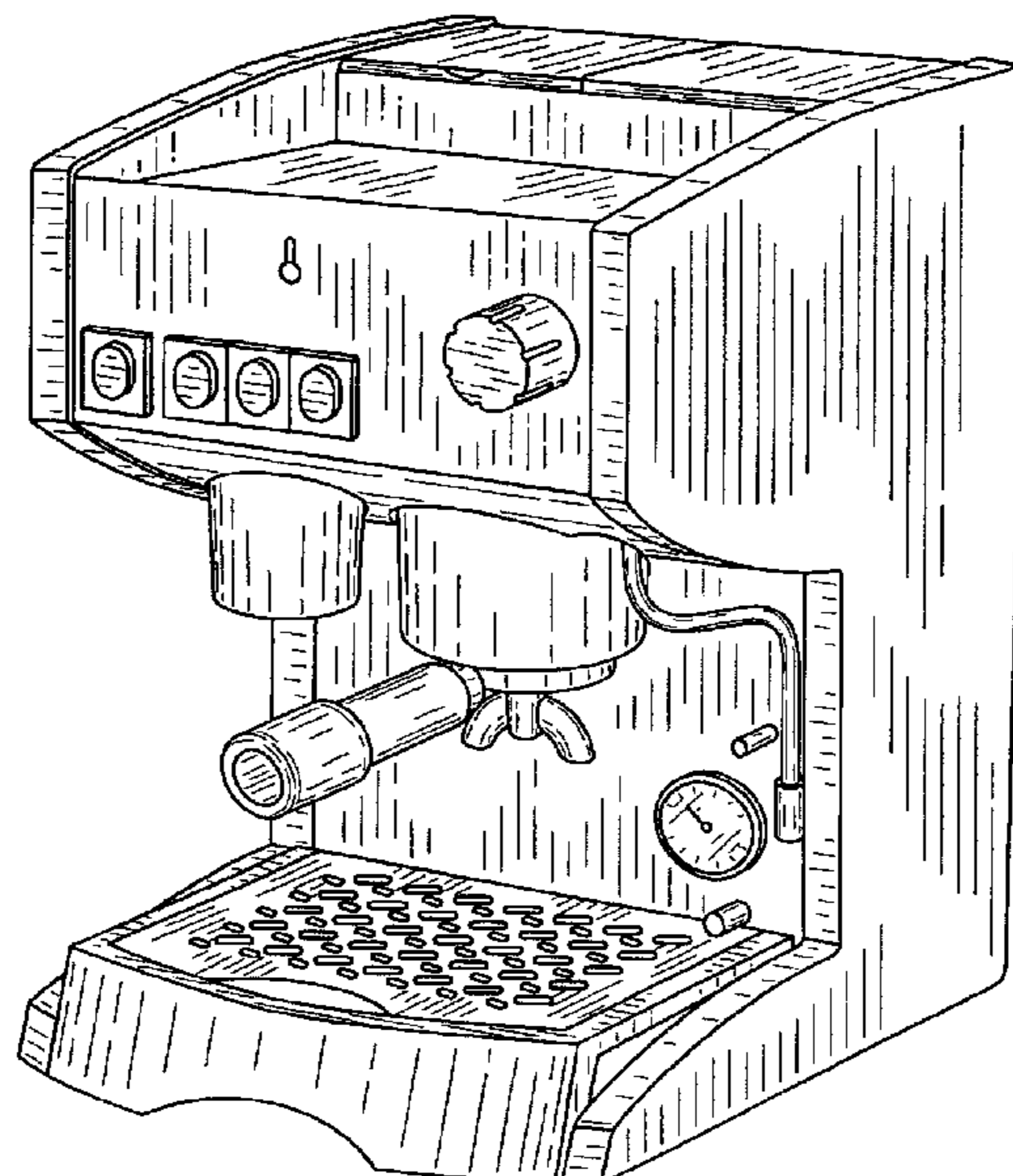
The ornamental design for a coffee machine, as shown and described.

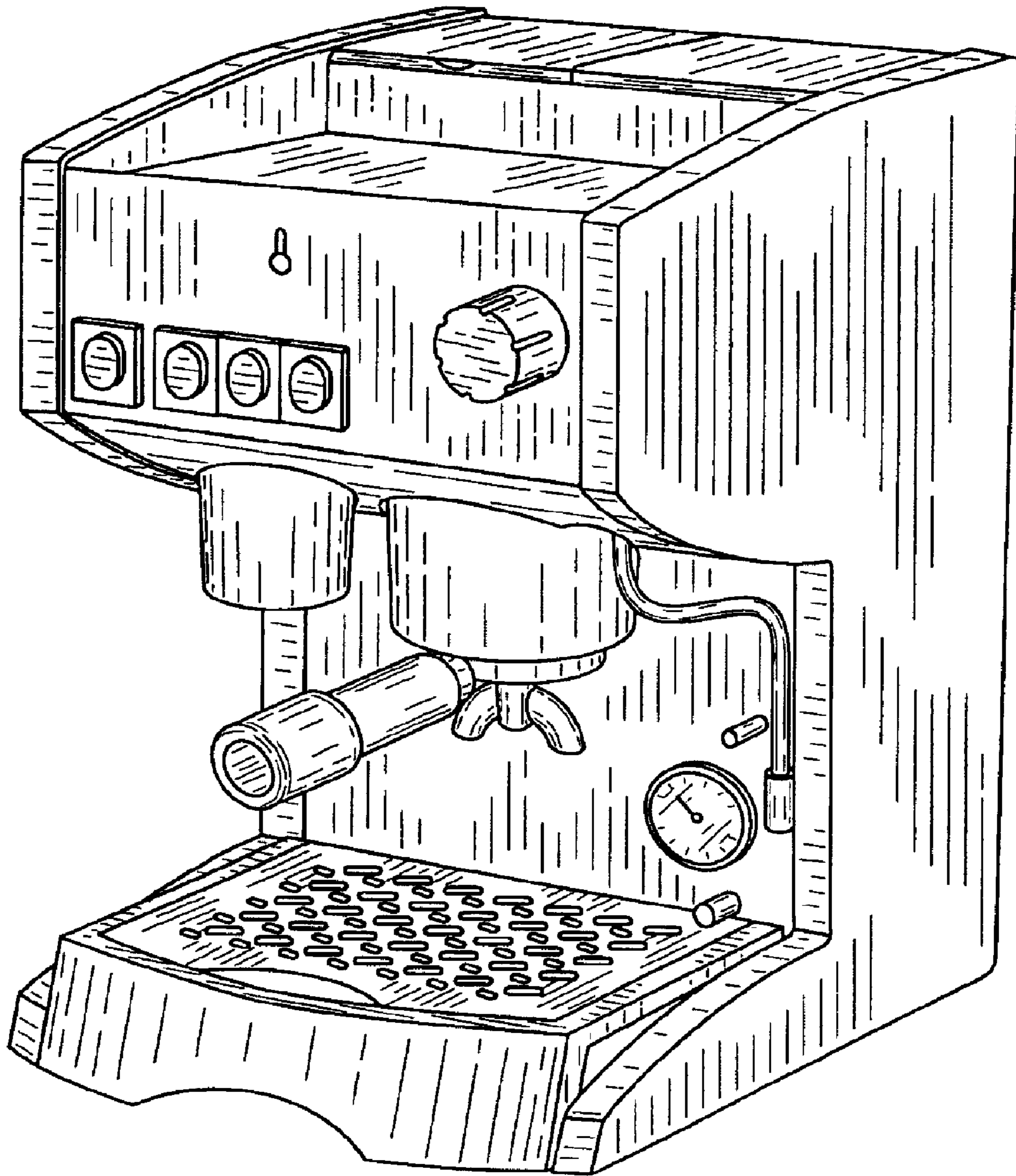
**DESCRIPTION**

FIG. 1 is a perspective front, top and right side view of a coffee machine according to the present invention.  
 FIG. 2 is front view of the coffee machine depicted in FIG. 1.  
 FIG. 3 is rear view of the coffee machine depicted in FIG. 1.  
 FIG. 4 is a left side view of the coffee machine depicted in FIG. 1.  
 FIG. 5 is a right side view of the coffee machine depicted in FIG. 1.  
 FIG. 6 is a top view of the coffee machine depicted in FIG. 1; and,  
 FIG. 7 is a bottom view of the coffee machine depicted in FIG. 1.

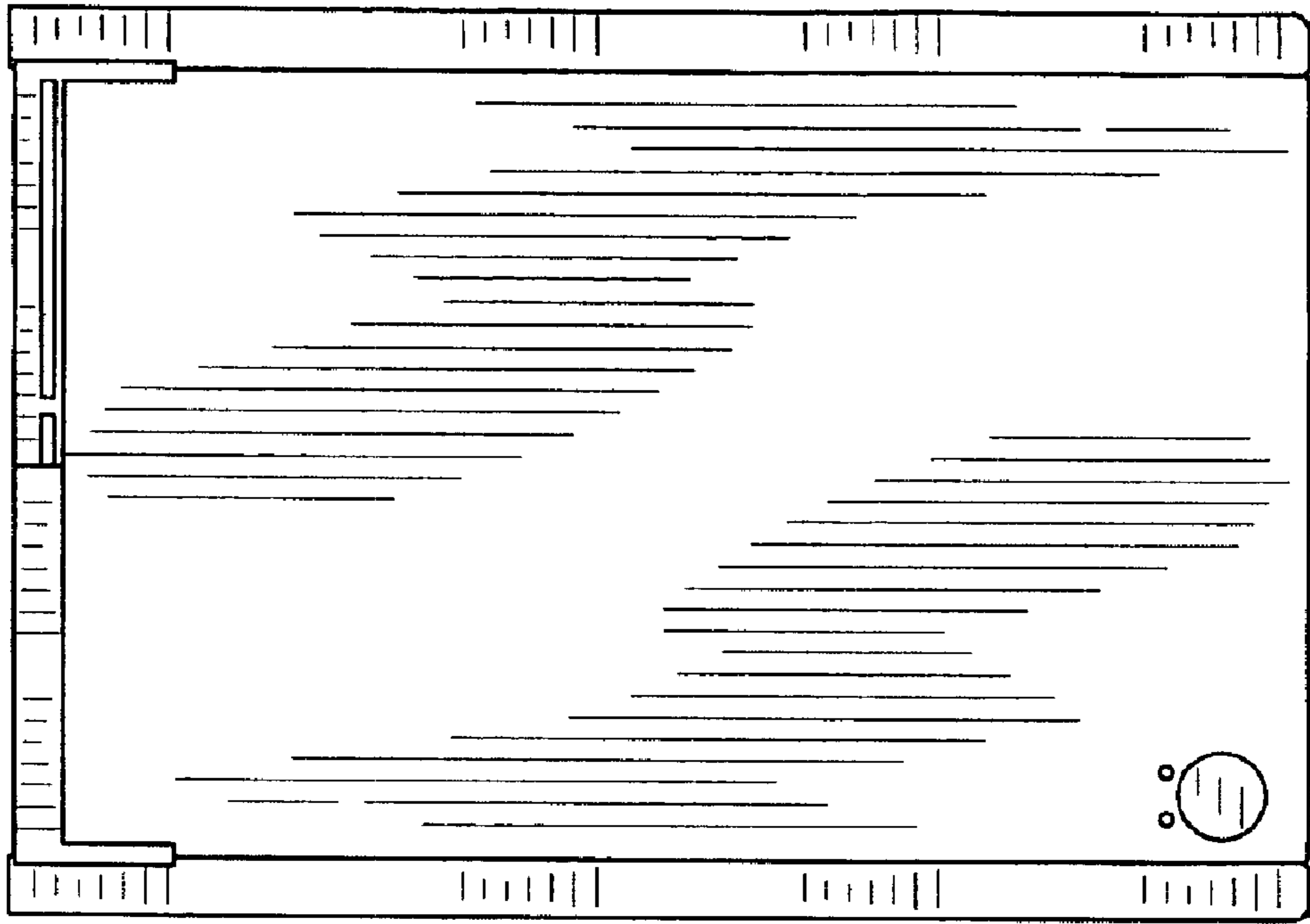
**1 Claim, 4 Drawing Sheets**

- (56) **References Cited**  
**U.S. PATENT DOCUMENTS**  
  - D323,949 S \* 2/1992 Kahlcke ..... D7/309
  - D324,621 S \* 3/1992 Haslacher ..... D7/309
  - D336,206 S \* 6/1993 Littmann ..... D7/309
  - D337,475 S \* 7/1993 Seiffert ..... D7/309
  - D340,381 S \* 10/1993 Mermillod ..... D7/309
  - D344,206 S \* 2/1994 Azpiri ..... D7/309
  - D354,193 S \* 1/1995 Storsberg ..... D7/309
  - D360,555 S \* 7/1995 Miguel ..... D7/309
  - D360,802 S \* 8/1995 Seiffert ..... D7/309
  - D364,306 S \* 11/1995 Storsberg ..... D7/309
  - D380,334 S \* 7/1997 Lin ..... D7/309
  - D385,455 S \* 10/1997 Cortese ..... D7/309

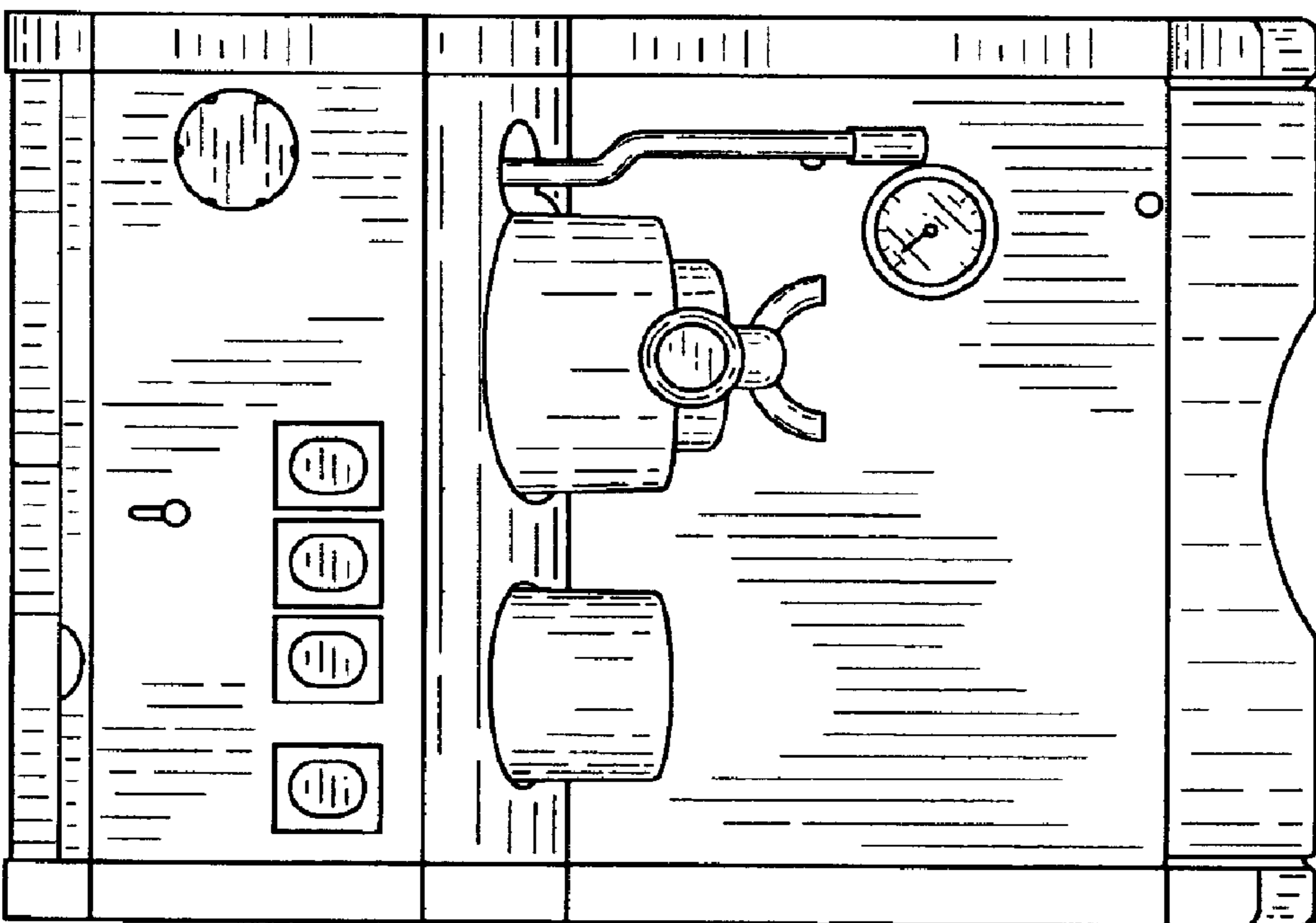




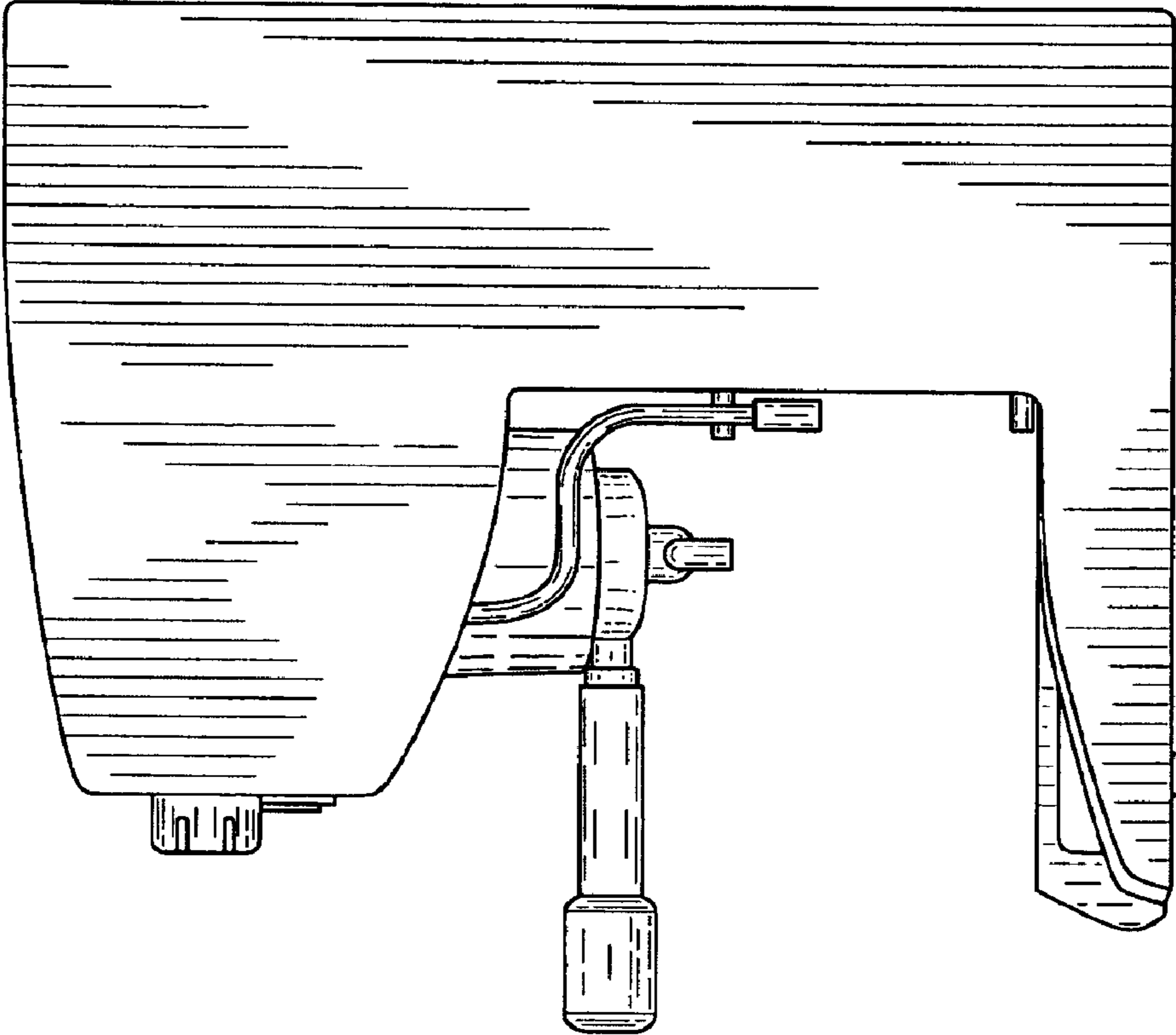
**FIG. 1**



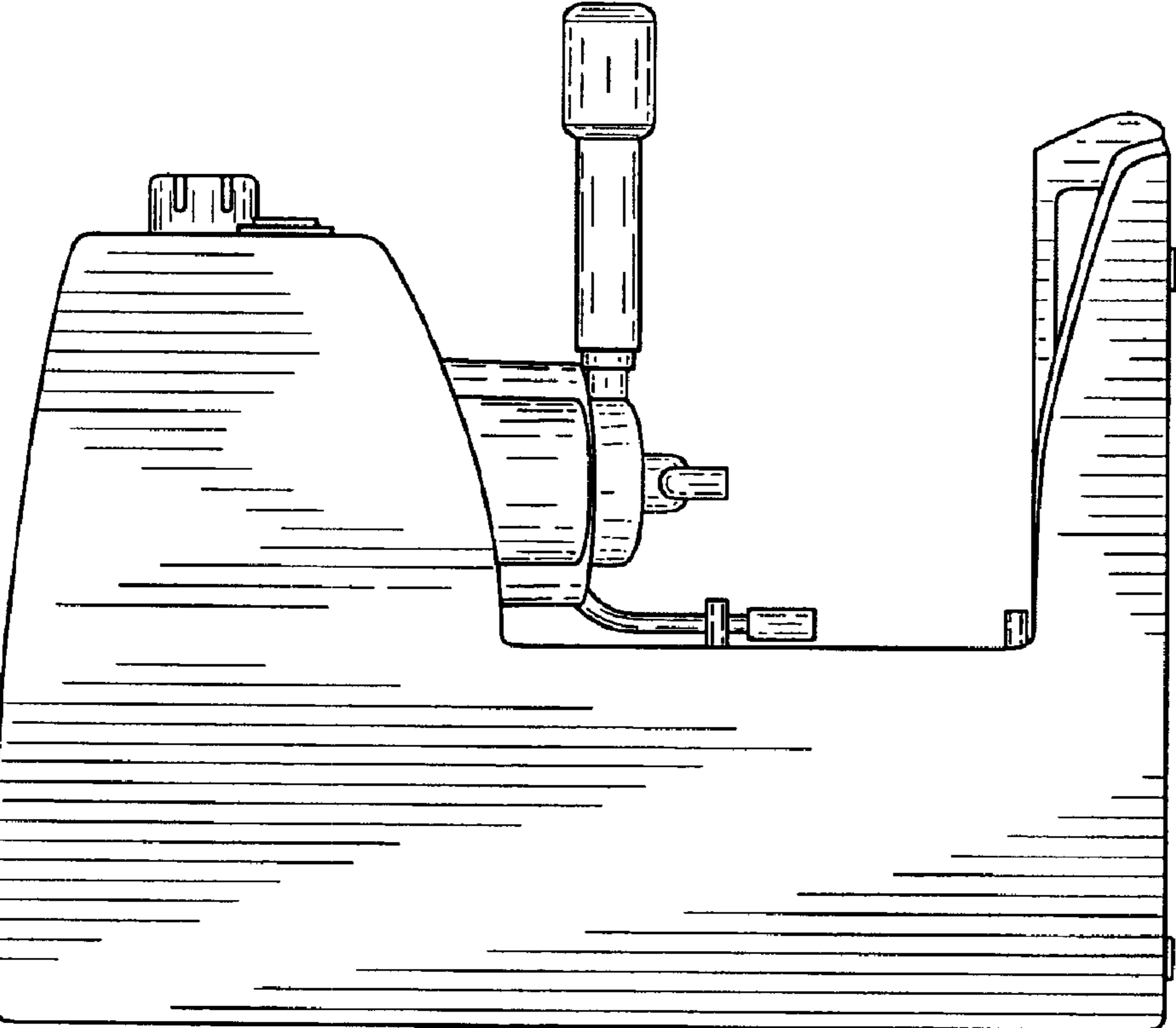
**FIG. 3**



**FIG. 2**

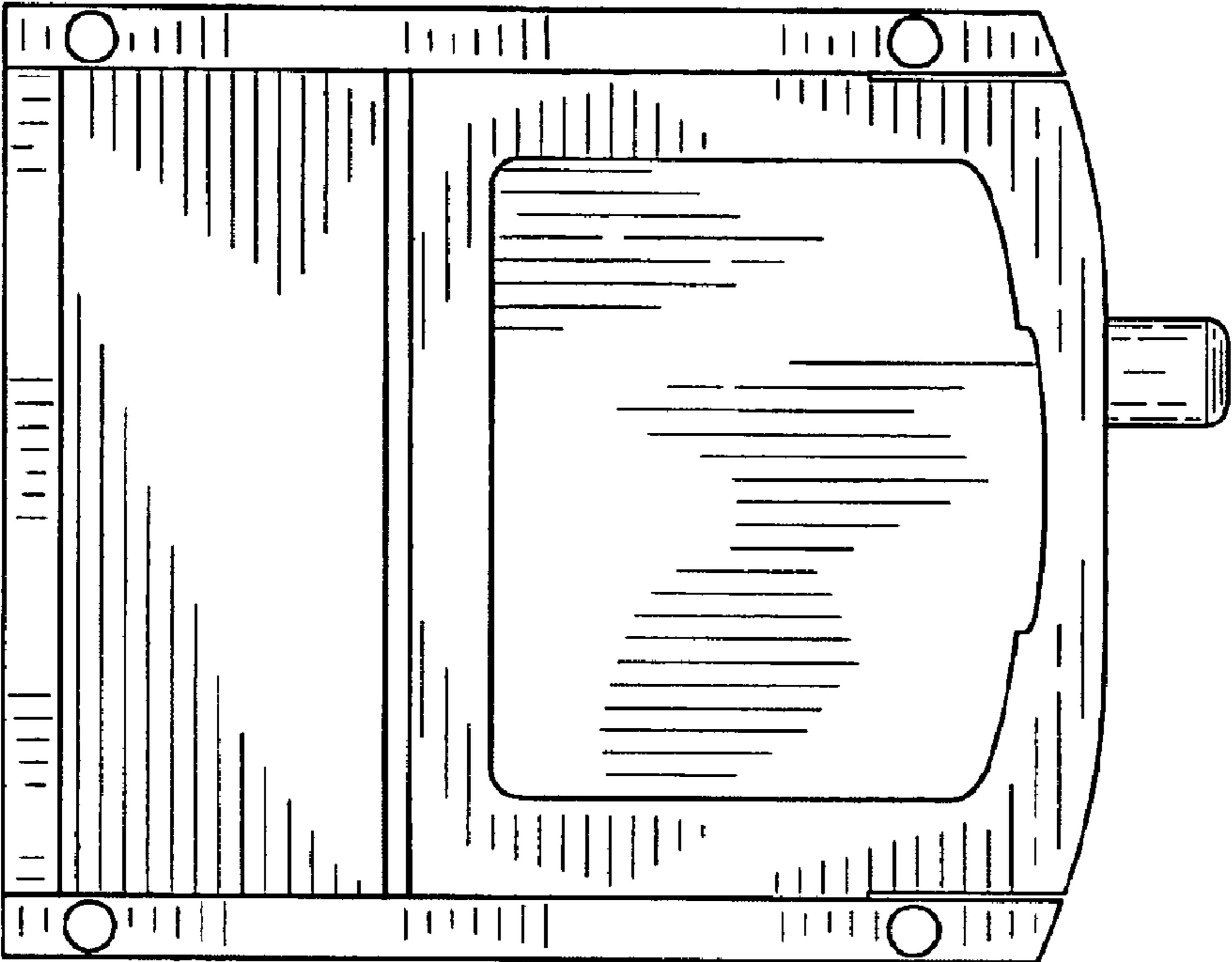


**FIG. 5**

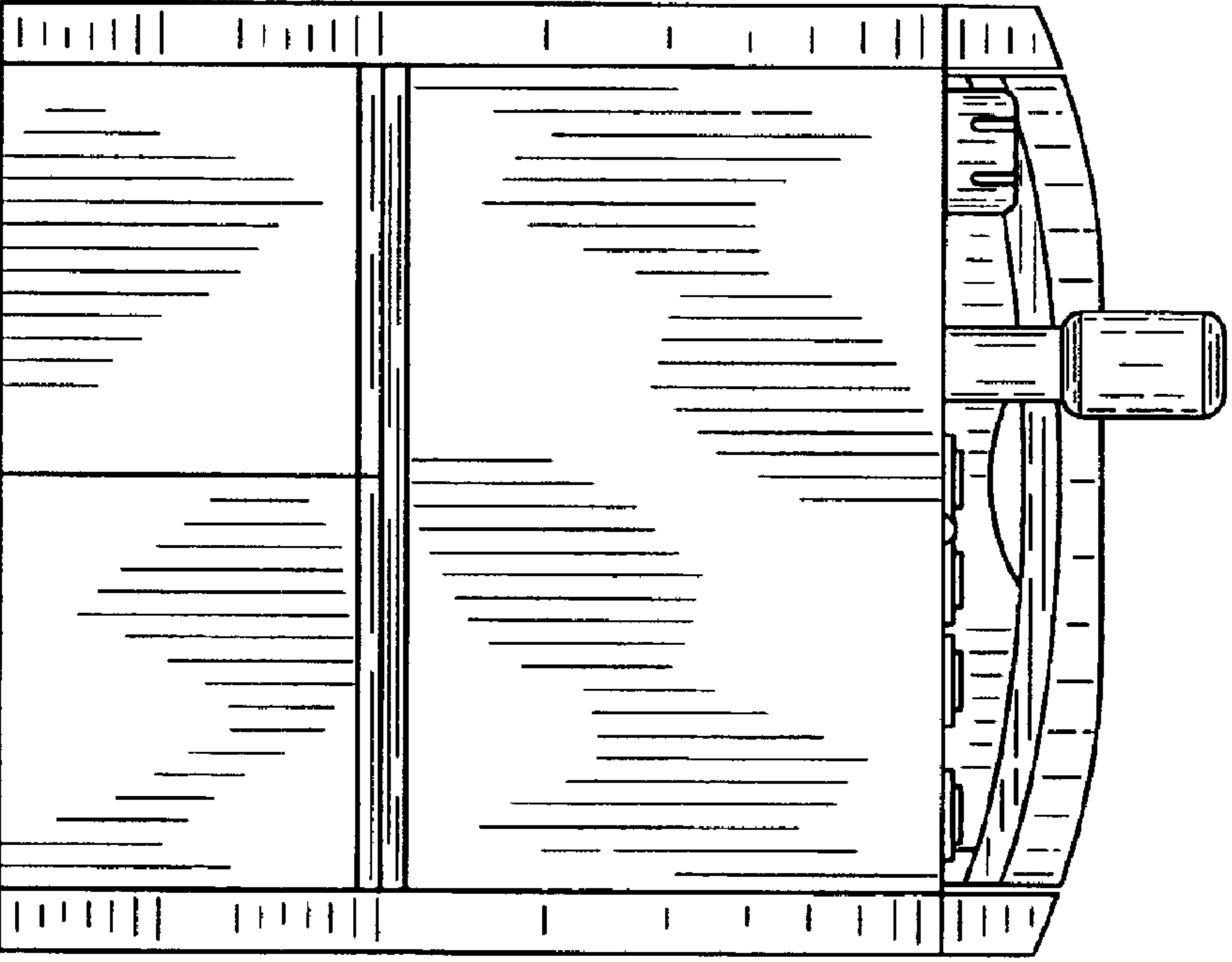


**FIG. 4**





**FIG. 7**



**FIG. 6**