



US00D514369S

(12) **United States Design Patent** (10) **Patent No.:** **US D514,369 S**
Littmann (45) **Date of Patent:** **** Feb. 7, 2006**

(54) **COFFEE MACHINE**
(75) **Inventor:** **Ludwig Littmann, Kronberg (DE)**
(73) **Assignee:** **Braun GmbH, Kronberg (DE)**
(**) **Term:** **14 Years**

D481,580 S * 11/2003 Daniels et al. D7/309
D486,345 S * 2/2004 Schwamkrug D7/309
D486,346 S * 2/2004 Jonsson D7/309
D492,878 S * 7/2004 Nakato et al. D7/306
D495,189 S * 8/2004 Cahen D7/309
2001/0022138 A1 * 9/2001 Schmid 99/299

FOREIGN PATENT DOCUMENTS

WO DM/047 978 5/1999
WO DM/049 247 9/1999
WO DM/053 041 6/2000
WO DM/063 259 5/2002

* cited by examiner

Primary Examiner—M. N. Pandozzi
(74) *Attorney, Agent, or Firm*—Fish & Richardson P.C.

(21) **Appl. No.:** **29/197,205**
(22) **Filed:** **Jan. 12, 2004**
(30) **Foreign Application Priority Data**
Jul. 15, 2003 (DE) 4 03 04 752
(51) **LOC (8) Cl.** **07-01**
(52) **U.S. Cl.** **D7/309; D7/310; D7/311**
(58) **Field of Classification Search** D7/308,
D7/305, 306, 300, 309, 310, 311, 397; 99/279,
99/284, 299, 289 R, 302 R, 285, 282, 295;
241/100
See application file for complete search history.

(57) **CLAIM**

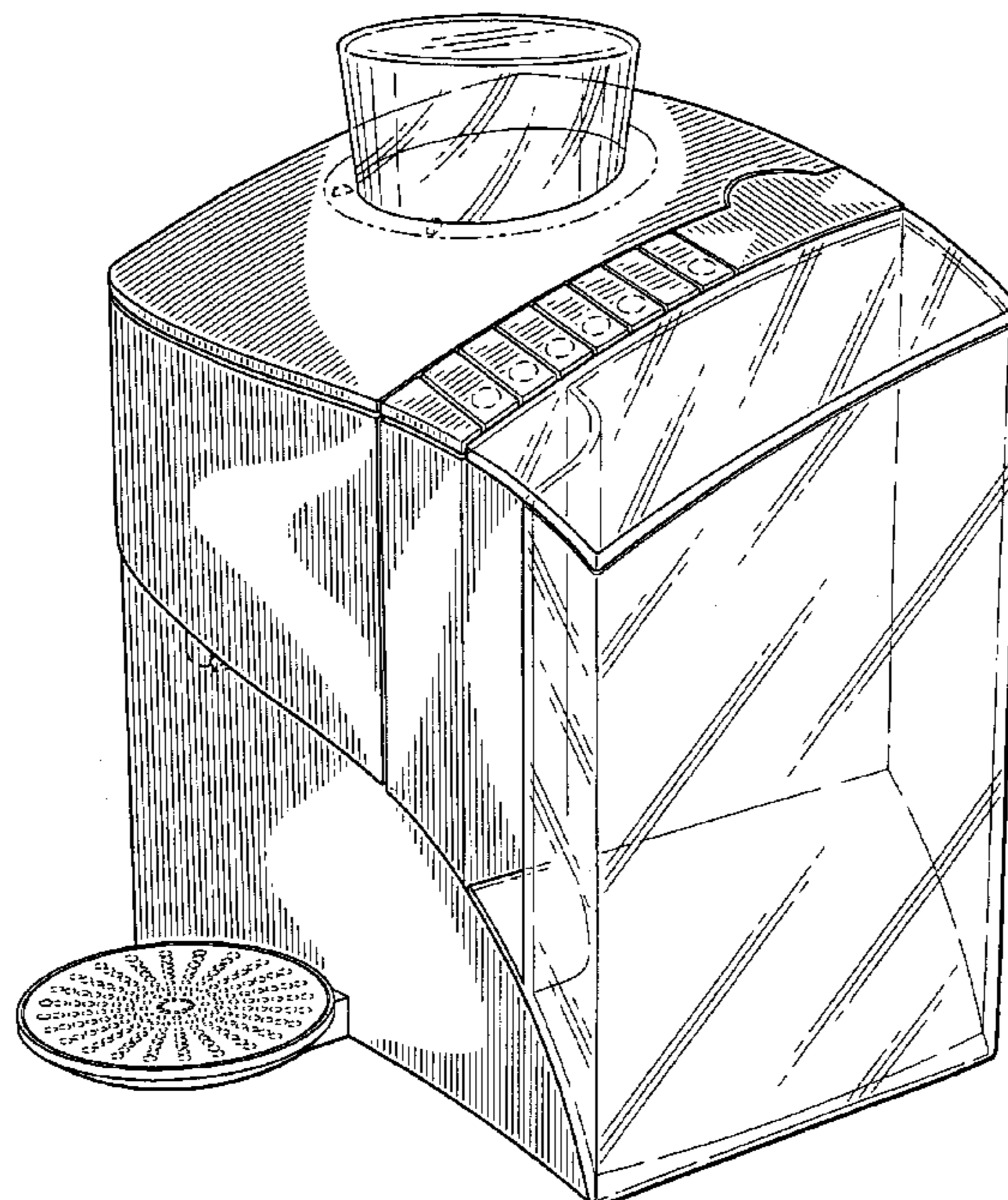
The ornamental design for a coffee machine, as shown and described.

DESCRIPTION

FIG. 1 is a perspective view of a coffee machine showing the new design;
FIG. 2 is a front view of the coffee machine of FIG. 1;
FIG. 3 is a back view of the coffee machine of FIG. 1;
FIG. 4 is a right side view of the coffee machine of FIG. 1;
FIG. 5 is a left side view of the coffee machine of FIG. 1;
FIG. 6 is a top plan view of the coffee machine of FIG. 1;
and,
FIG. 7 is a bottom plan view of the coffee machine of FIG. 1.
The broken lines in the drawings are for illustrative purposes only and forms no part of the claimed design.

(56) **References Cited**
U.S. PATENT DOCUMENTS
D334,863 S * 4/1993 Phillips et al. D7/308
D396,987 S * 8/1998 Seiffert D7/309
D399,089 S * 10/1998 Cortese D7/309
D400,046 S * 10/1998 Seiffert D7/309
D409,875 S * 5/1999 Alonge et al. D7/309
D413,757 S 9/1999 Viguer Munoz D7/397
D413,764 S 9/1999 Applegate et al. D7/309
D417,118 S * 11/1999 Pomeroy D7/306
D444,986 S * 7/2001 Smith et al. D7/311
D453,655 S * 2/2002 Powell et al. D7/306
D454,464 S * 3/2002 Mogler et al. D7/307
D454,465 S * 3/2002 McKittrick et al. D7/307
D455,596 S * 4/2002 Boos D7/309

1 Claim, 7 Drawing Sheets



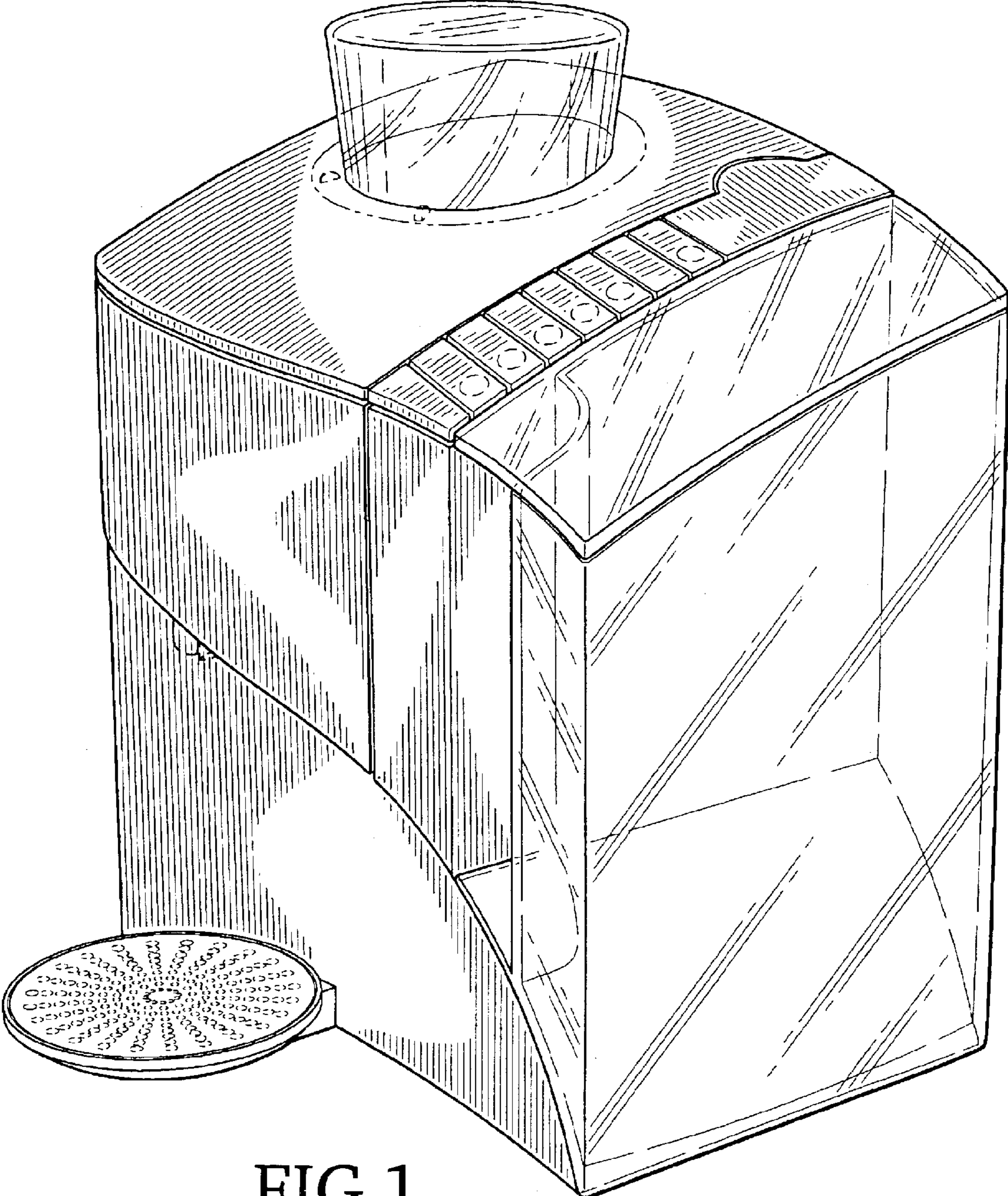


FIG.1

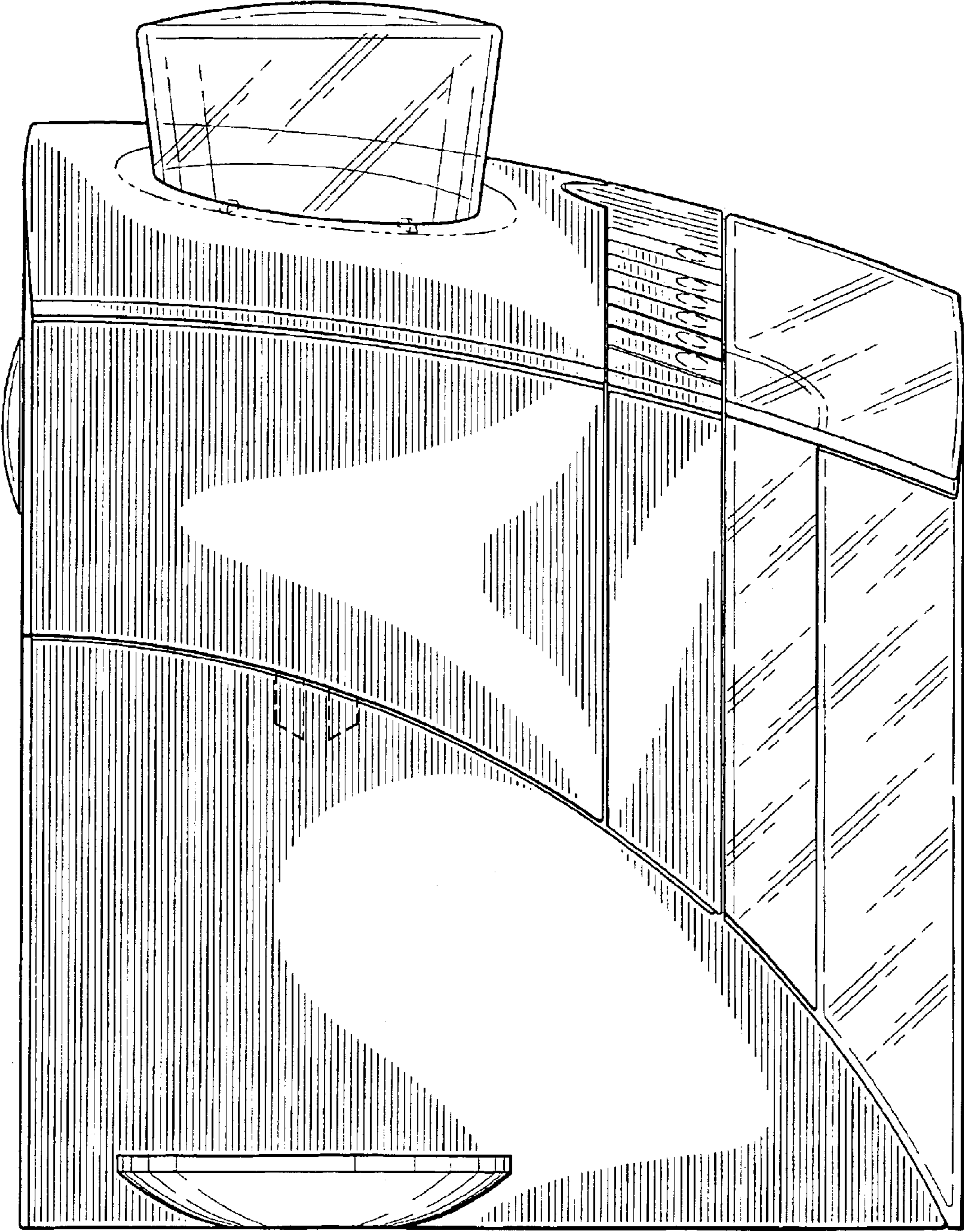


FIG. 2

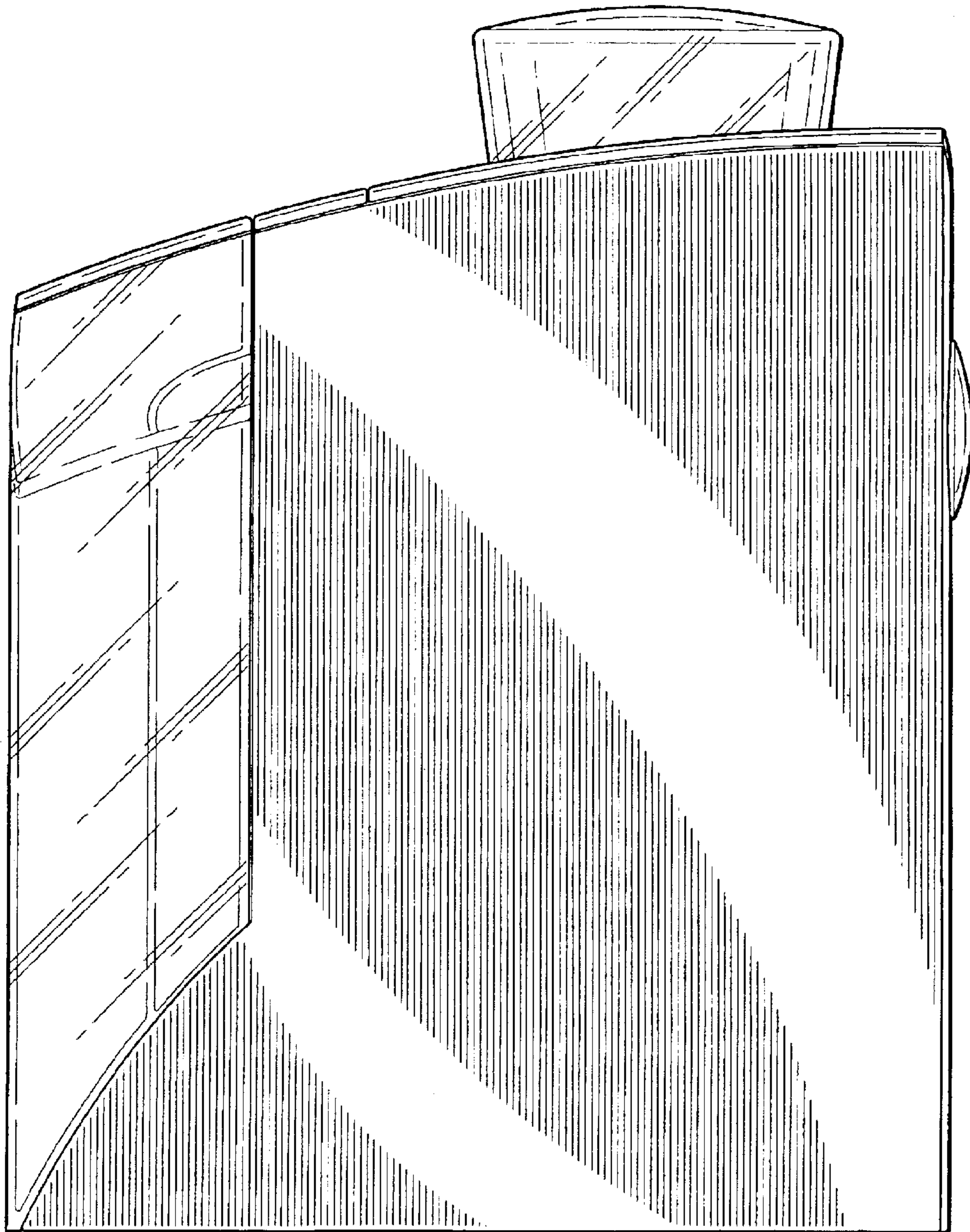


FIG. 3

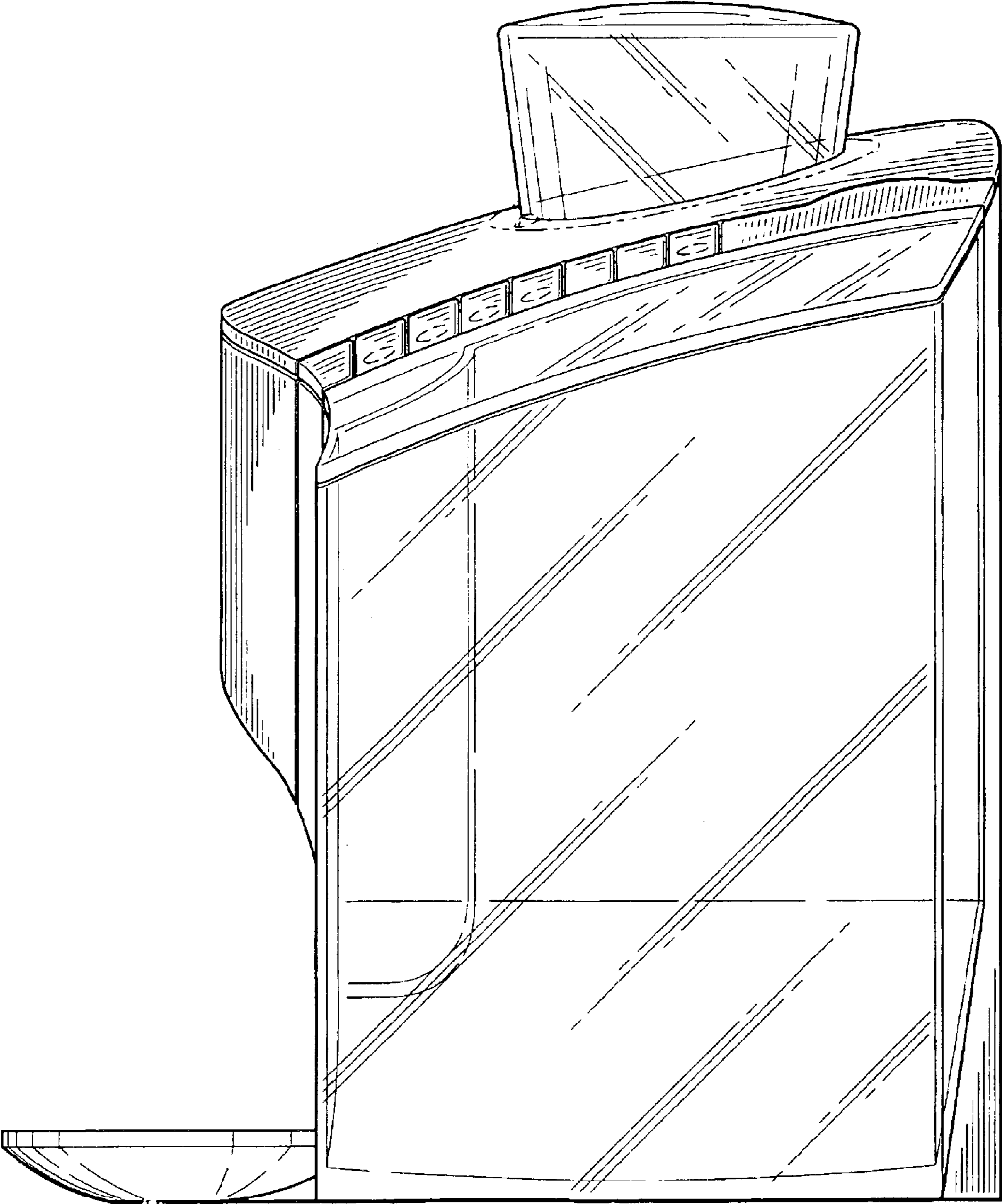


FIG. 4

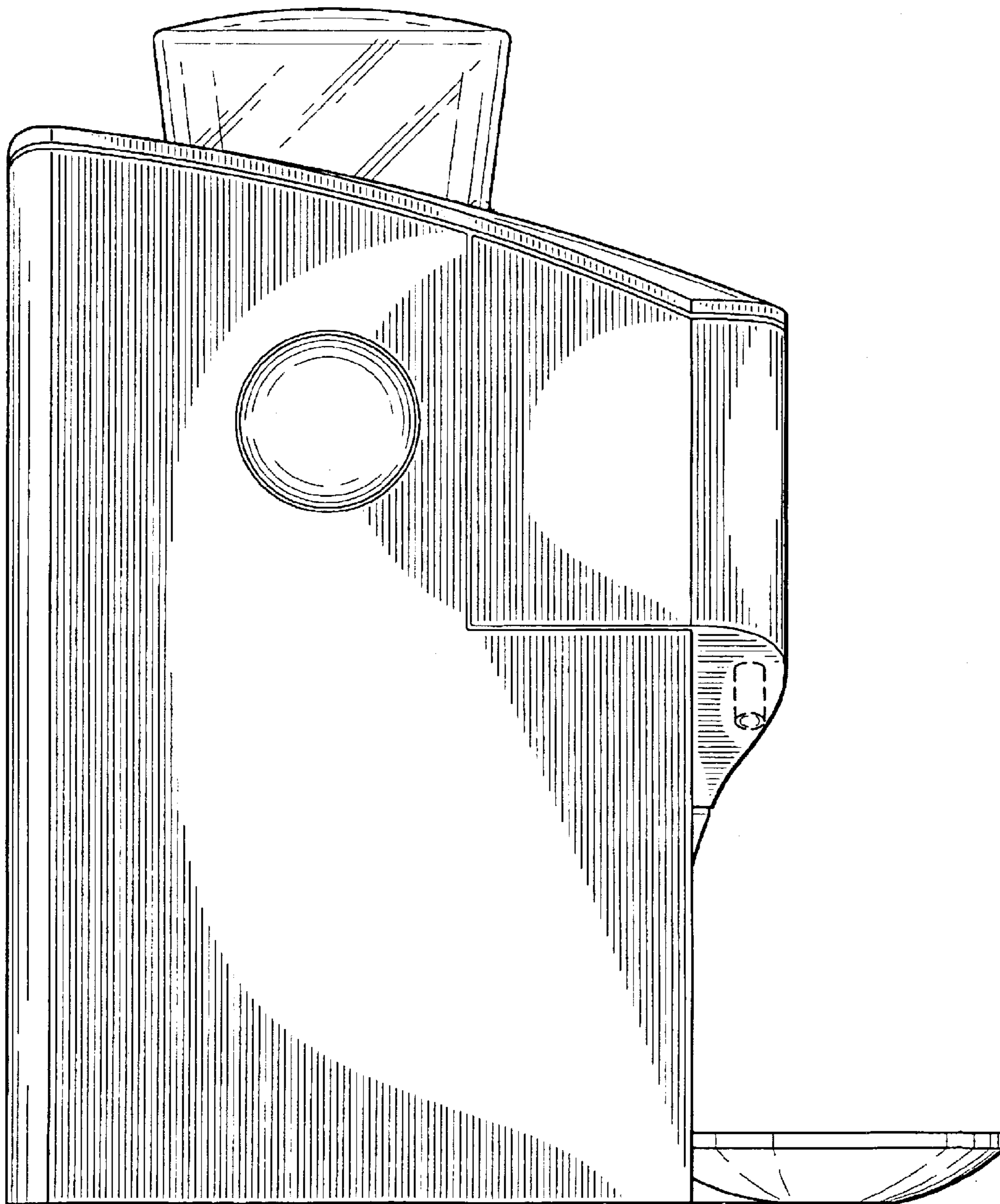


FIG. 5

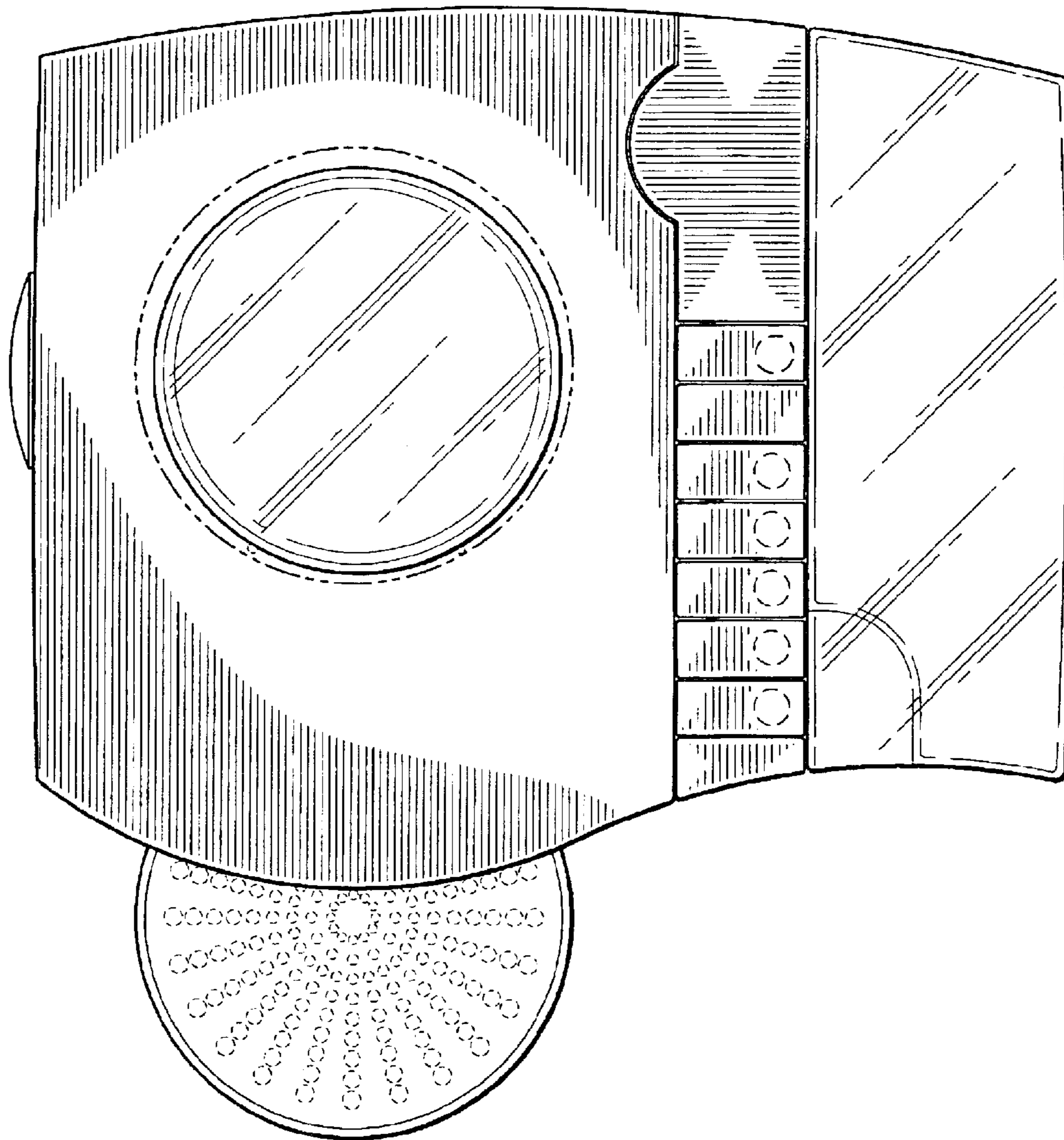


FIG. 6

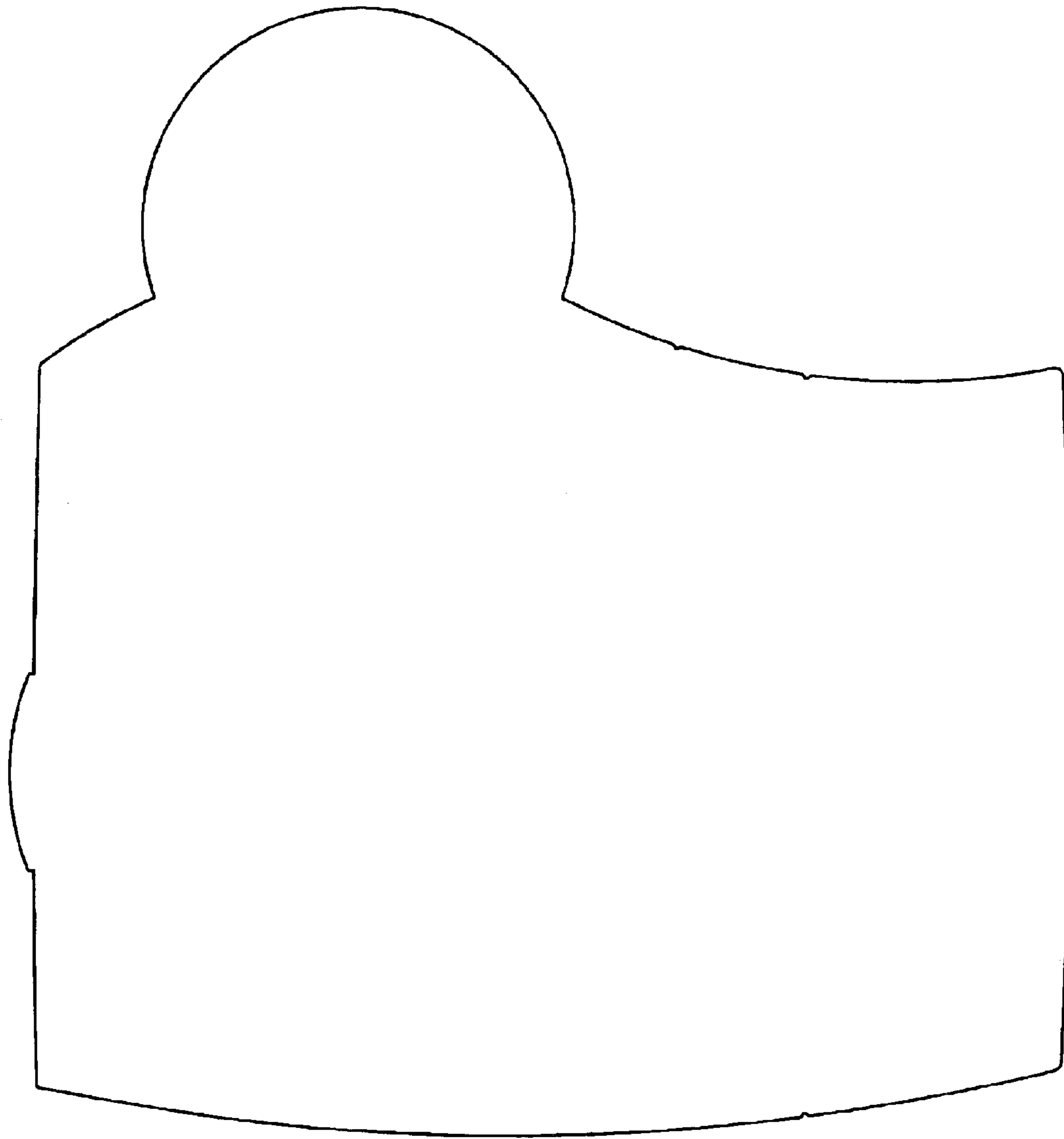


FIG. 7