



US00D514367S

(12) **United States Design Patent** (10) **Patent No.:** **US D514,367 S**  
**Dardashti** (45) **Date of Patent:** **\*\* Feb. 7, 2006**

(54) **ADJUSTABLE RACK**

(76) **Inventor:** **Shahriar L. Dardashti**, 14138 Bresford Rd., Beverly Hills, CA (US) 90210

(\*\*) **Term:** **14 Years**

(21) **Appl. No.:** **29/215,199**

(22) **Filed:** **Oct. 14, 2004**

(51) **LOC (8) Cl.** ..... **06-04**

(52) **U.S. Cl.** ..... **D6/630**

(58) **Field of Classification Search** ..... D6/407,  
D6/629-635, 462-465, 466-468; 211/40-42;  
312/108, 111, 9.1, 9.9, 9.16, 9.45, 9.48, 9.51,  
312/9.52, 9.53, 9.55, 9.56; 206/307, 307.1,  
206/308.1, 445

See application file for complete search history.

(56) **References Cited**

**U.S. PATENT DOCUMENTS**

340,949 A	4/1886	Jackson	
2,626,060 A *	1/1953	Rubenstein	211/50
3,527,359 A	9/1970	Lambertson	
4,457,239 A	7/1984	Heinze	
5,257,701 A	11/1993	Edelson	
D343,533 S *	1/1994	David	D6/407
5,394,997 A	3/1995	Gollob	

D380,925 S *	7/1997	Chu	D6/630
D387,942 S	12/1997	Dardashti	
5,704,497 A	1/1998	Wyatt	
5,706,741 A	1/1998	Thorp et al.	
D391,103 S	2/1998	Robertson	
5,788,088 A	8/1998	Kao	
D444,020 S *	6/2001	Muth	D6/630
6,732,662 B2	5/2004	Welch et al.	
6,763,958 B2	7/2004	Gervasi	

\* cited by examiner

*Primary Examiner*—Antoine Duval Davis  
*Assistant Examiner*—Sydney R. Buffalow  
(74) *Attorney, Agent, or Firm*—Cislo & Thomas, LLP

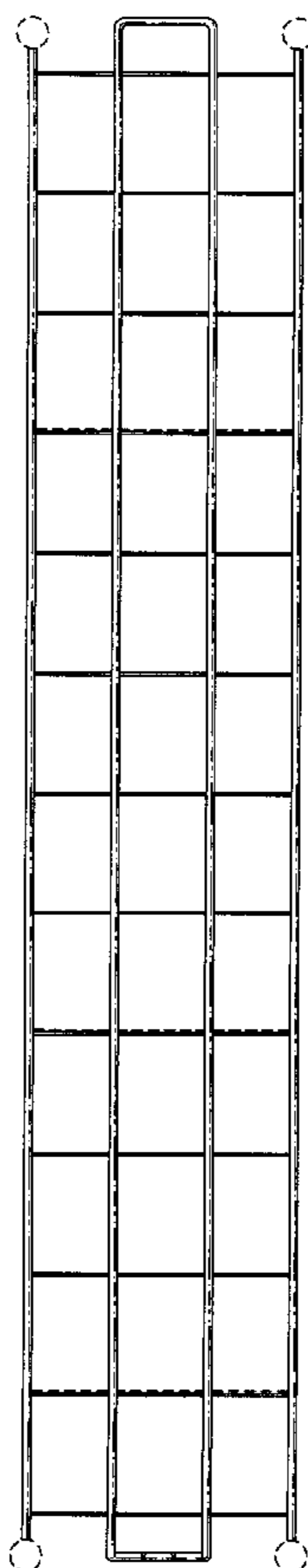
(57) **CLAIM**

I claim the ornamental design for an adjustable rack, as shown and described.

**DESCRIPTION**

FIG. 1 is a perspective view of an adjustable rack;  
FIG. 2 is a front side plan view thereof;  
FIG. 3 is a rear side plan view thereof;  
FIG. 4 is a top plan view thereof;  
FIG. 5 is a bottom plan view thereof; and,  
FIG. 6 is a right side view thereof, with the left side being substantially the same thereto.

**1 Claim, 3 Drawing Sheets**



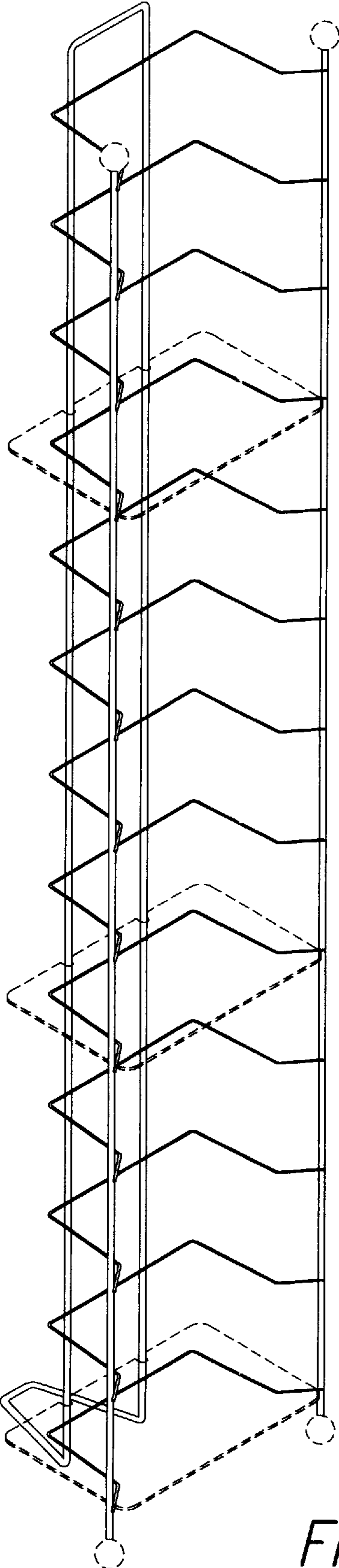


FIG. 1

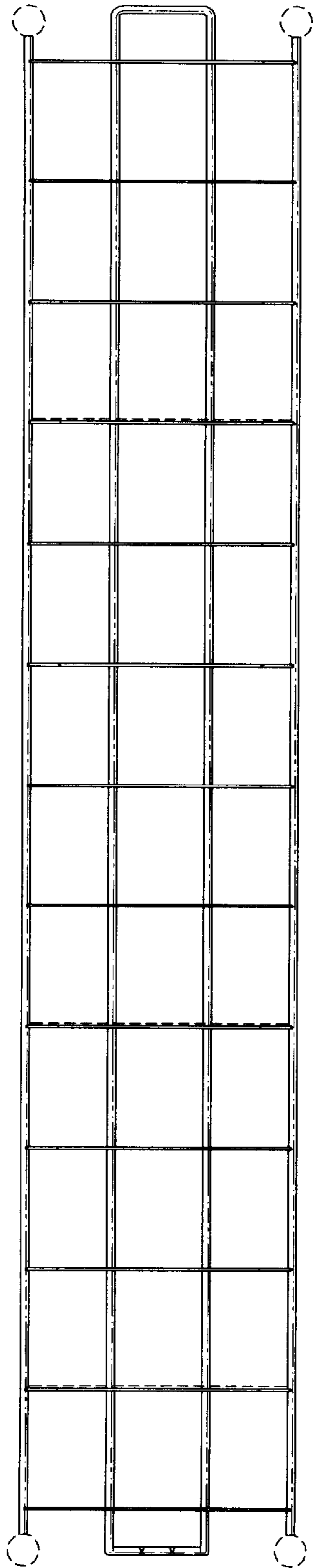


FIG. 2

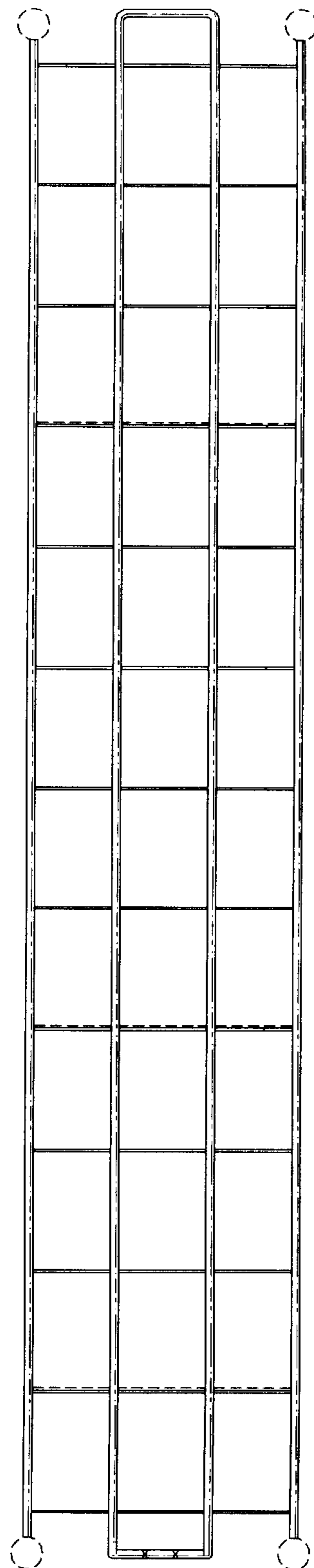


FIG. 3

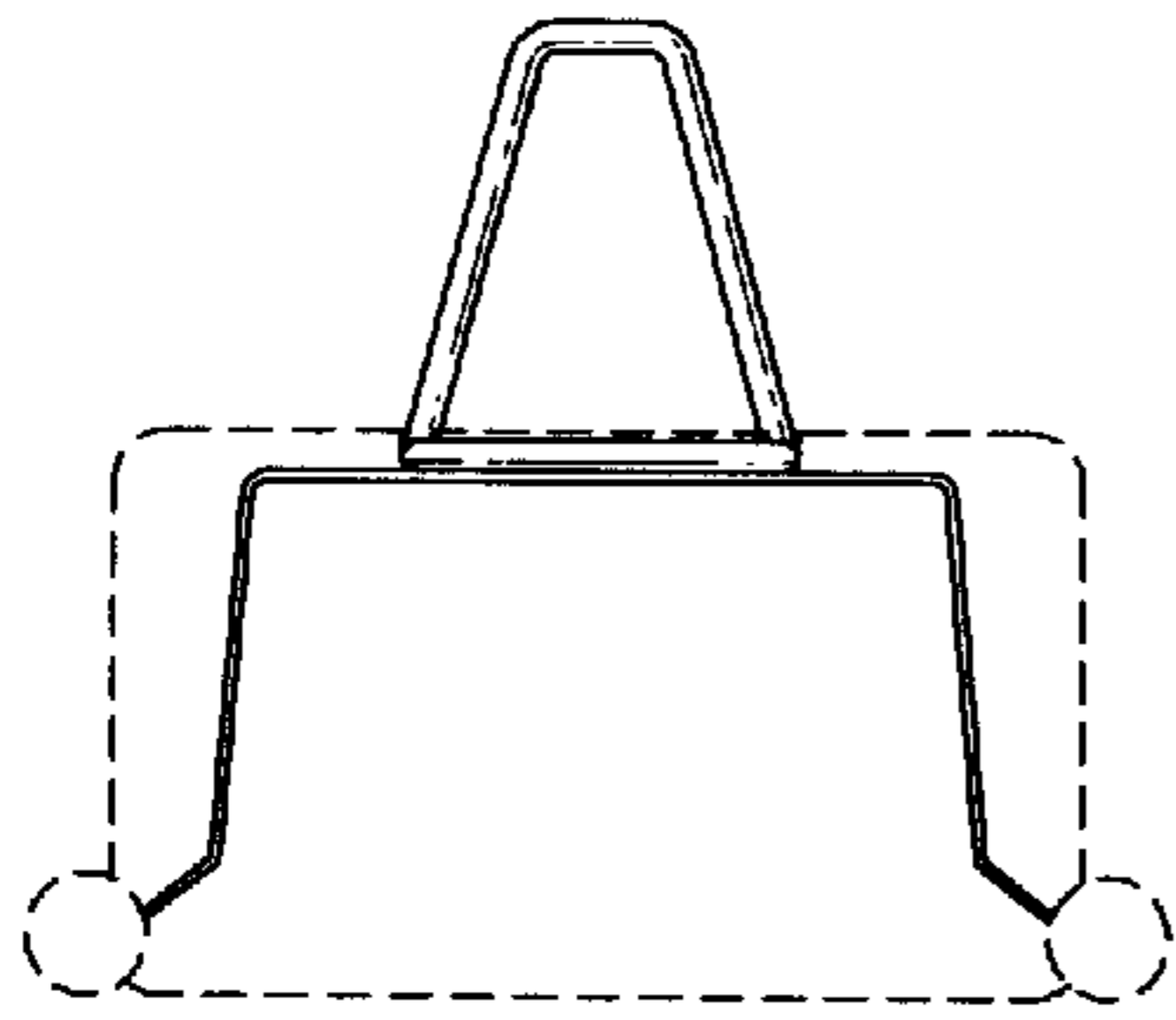


FIG. 4

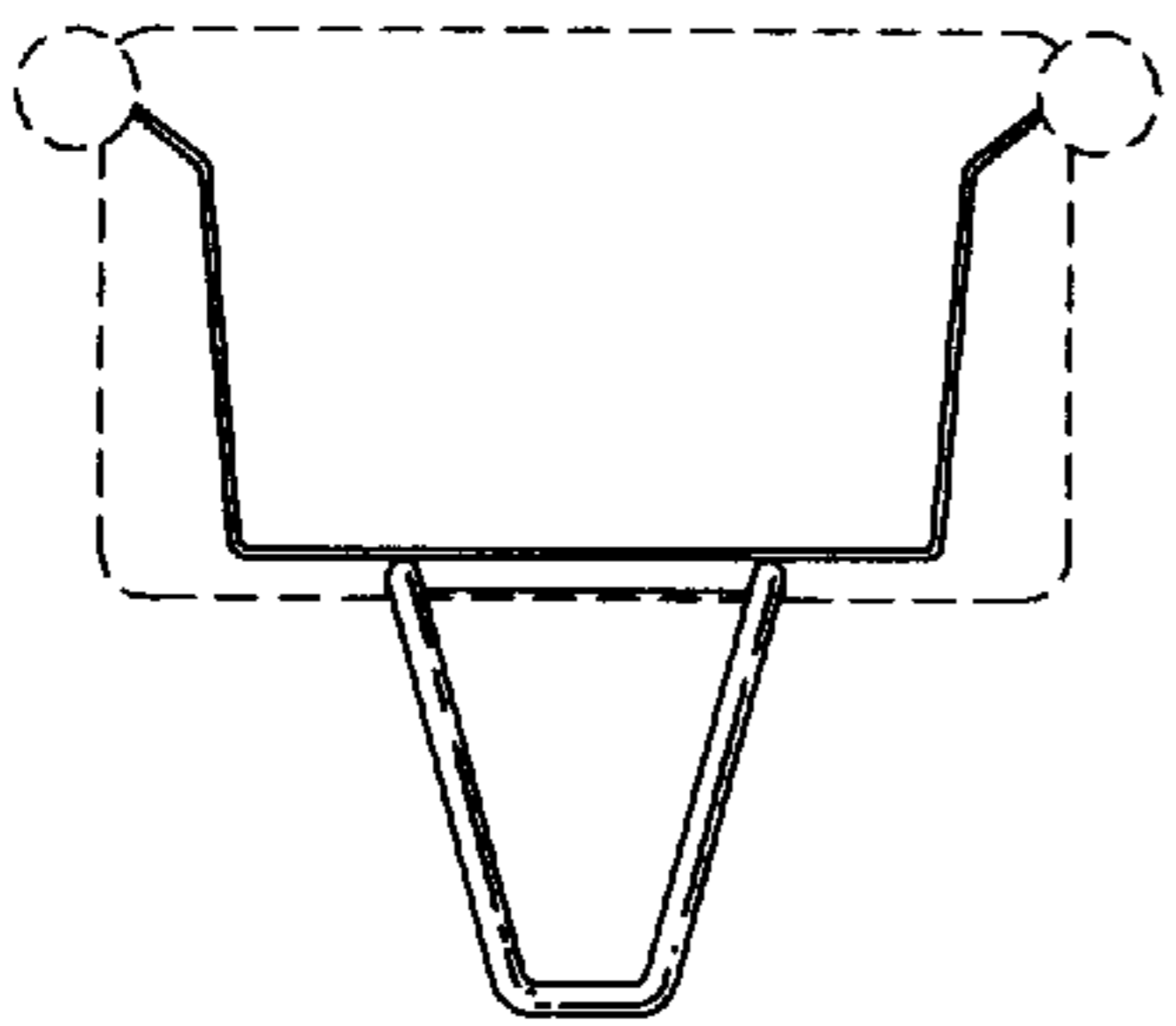


FIG. 5

FIG. 6

