



US00D514363S

(12) **United States Design Patent**  
**Hoernig**

(10) **Patent No.:** **US D514,363 S**

(45) **Date of Patent:** **\*\* Feb. 7, 2006**

(54) **SHELF**

(75) **Inventor:** **Victor Hoernig**, Lowell, IN (US)

(73) **Assignee:** **Brasstech, Inc.**, Santa Ana, CA (US)

(\*\*) **Term:** **14 Years**

(21) **Appl. No.:** **29/215,181**

(22) **Filed:** **Oct. 14, 2004**

(51) **LOC (8) Cl.** ..... **06-04**

(52) **U.S. Cl.** ..... **D6/574**

(58) **Field of Classification Search** ..... D6/524,  
D6/525, 540, 553, 567, 574; 108/28-29;  
211/13.1, 42, 71.01, 81.01, 90.01, 90.03,  
211/126.1, 133.5, 133.6

See application file for complete search history.

(56) **References Cited**

**U.S. PATENT DOCUMENTS**

D182,347 S \* 3/1958 Alexander ..... D6/562

D372,847 S \* 8/1996 Sparks ..... D6/574  
D442,812 S \* 5/2001 McMahon et al. .... D6/525  
6,588,030 B1 \* 7/2003 Wulff ..... 206/77.1  
D501,622 S \* 2/2005 Hoernig ..... D6/574

\* cited by examiner

*Primary Examiner*—Brian N Vinson

(74) *Attorney, Agent, or Firm*—Edgar A. Zarins; Lloyd D. Doigan

(57) **CLAIM**

The ornamental design for a shelf, as shown and described.

**DESCRIPTION**

FIG. 1 is a perspective view of a shelf showing my new design;

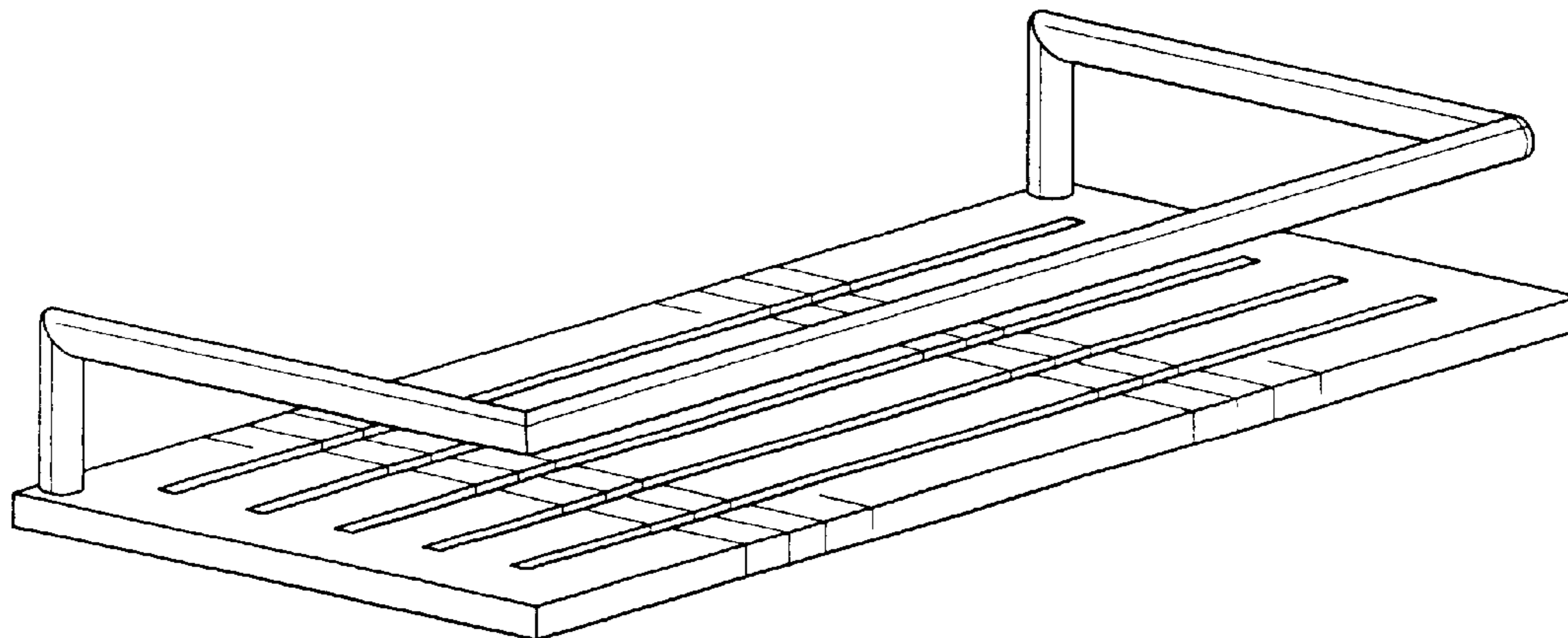
FIG. 2 is a right end view thereof, the opposite end being a mirror image of the end shown;

FIG. 3 is a front elevational view thereof;

FIG. 4 is a top plan view thereof; and,

FIG. 5 is a bottom view thereof.

**1 Claim, 2 Drawing Sheets**



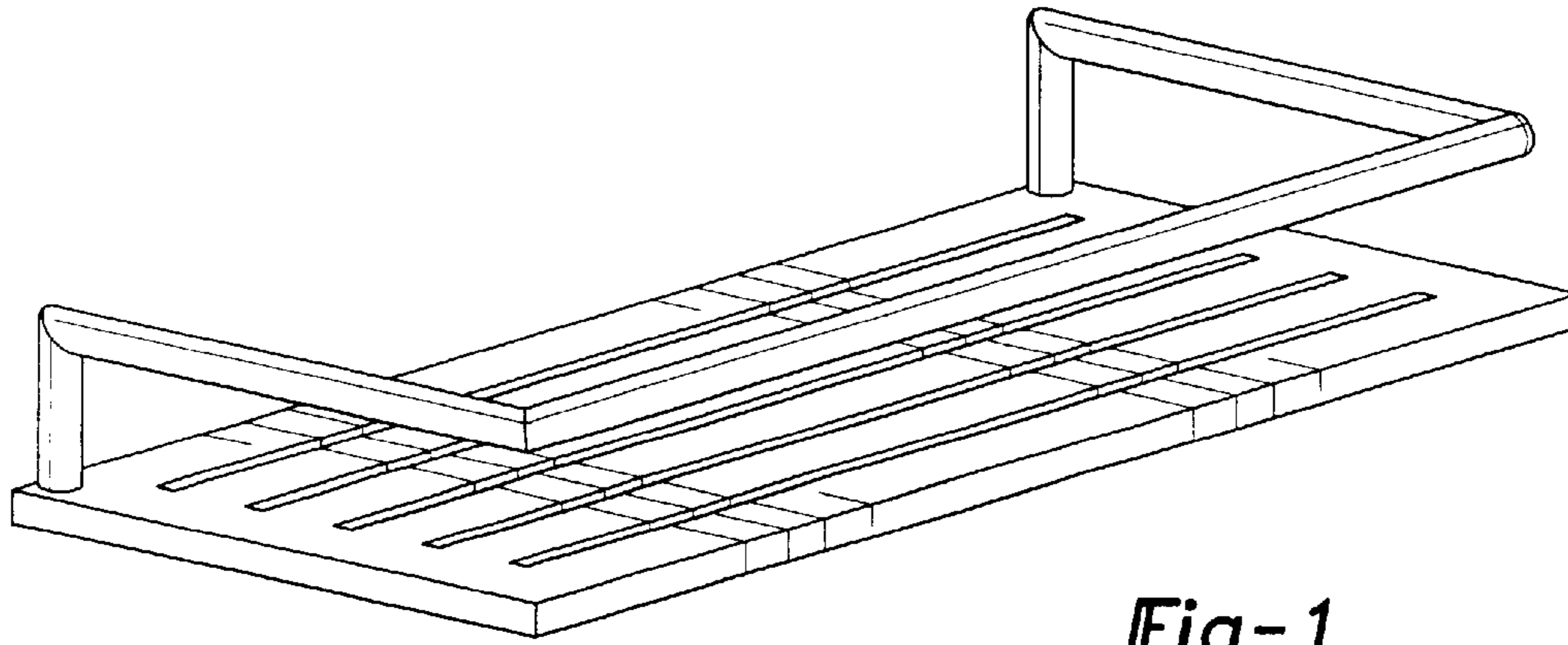


Fig-1

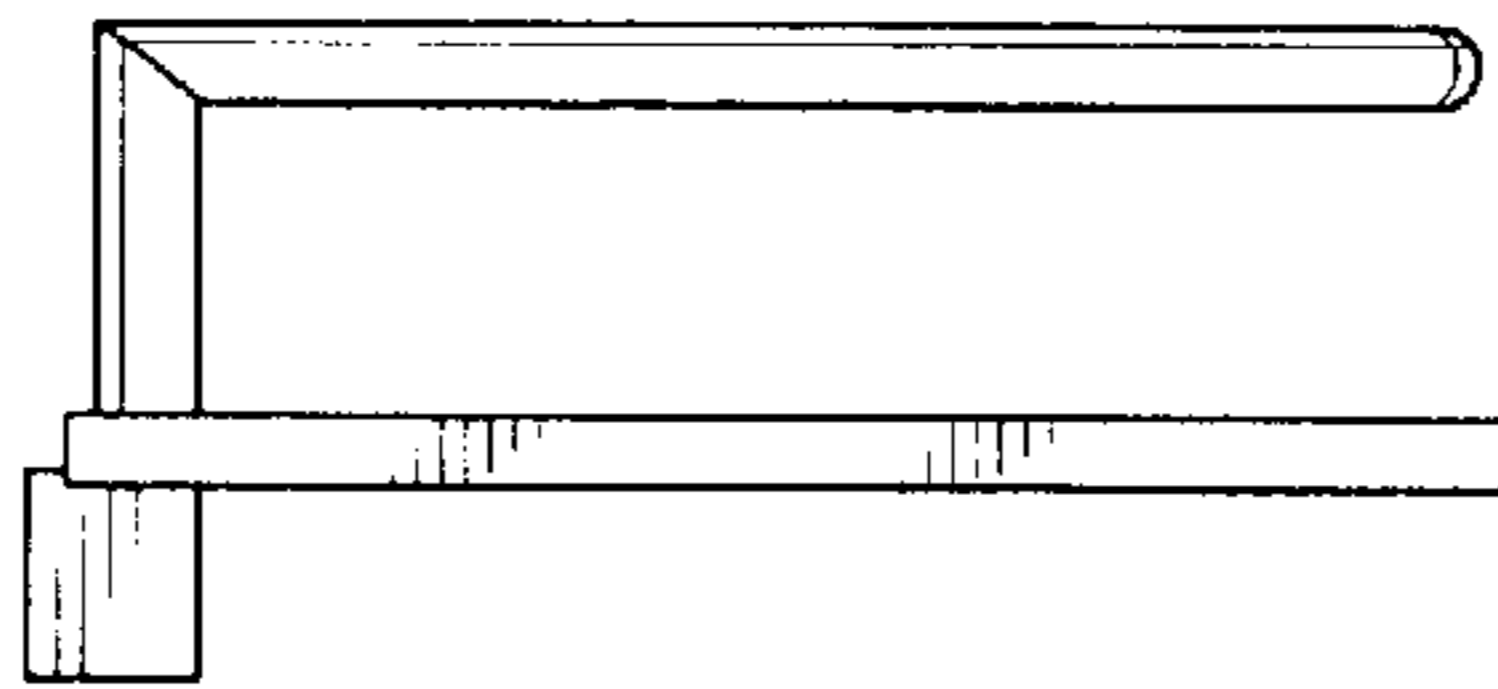


Fig-2

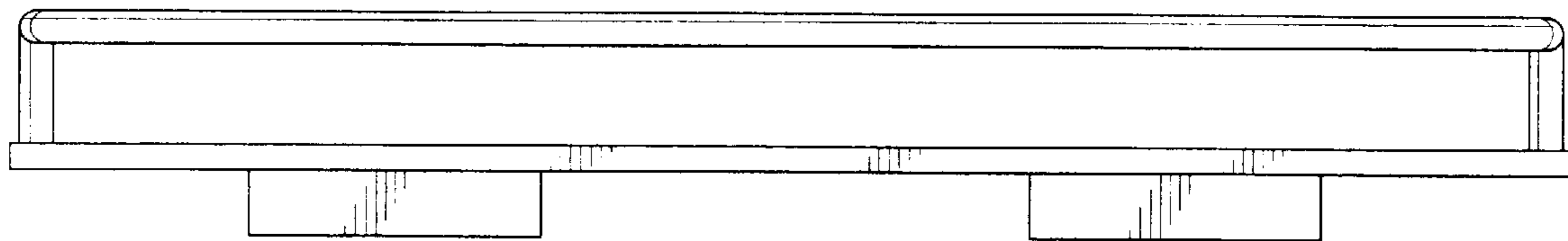


Fig-3

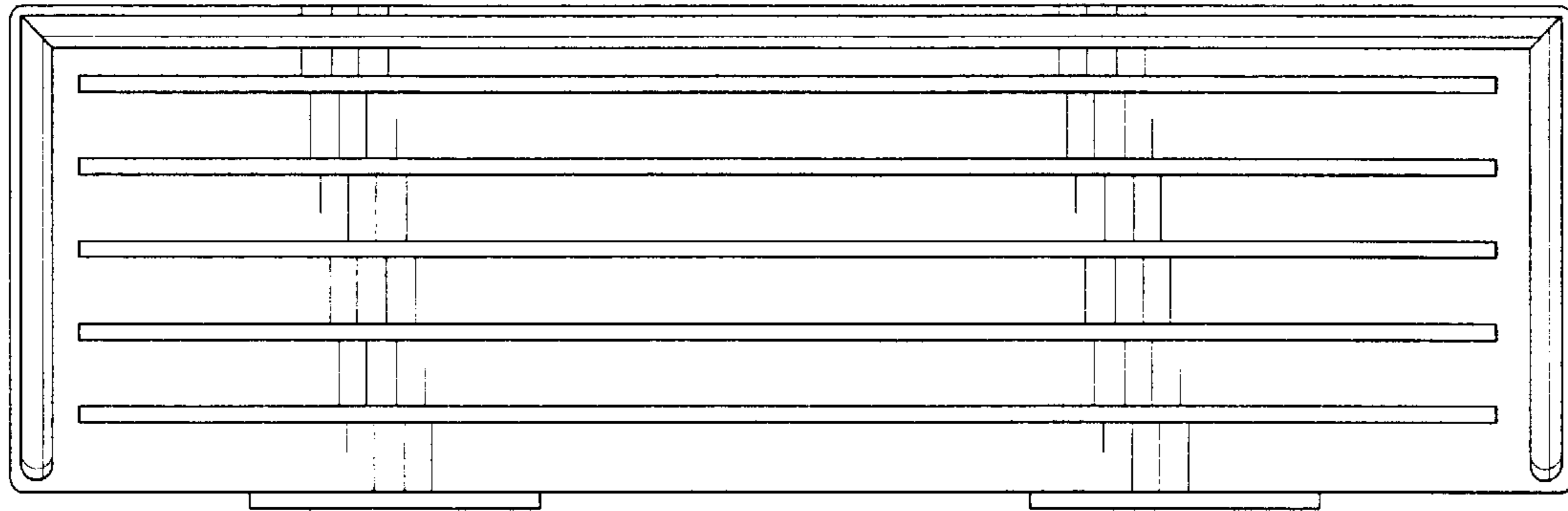


Fig-4

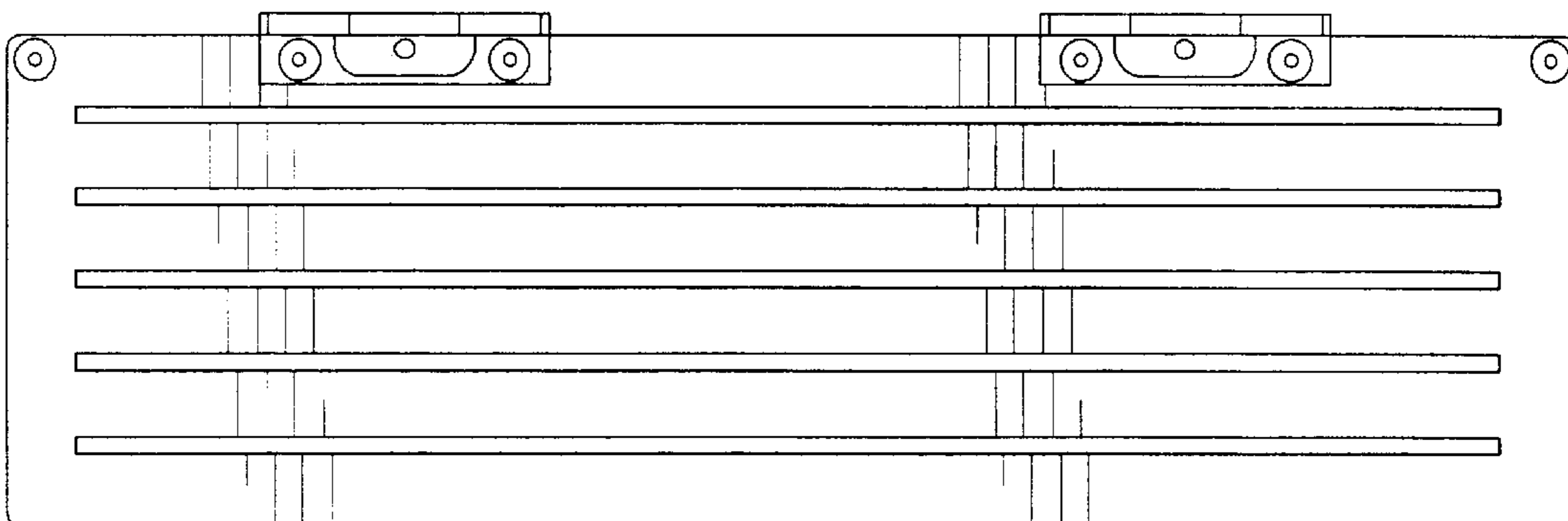


Fig-5