



US00D514362S

(12) **United States Design Patent**
Hoernig

(10) **Patent No.:** **US D514,362 S**

(45) **Date of Patent:** **** Feb. 7, 2006**

(54) **CORNER SHELF**

(75) **Inventor:** **Victor Hoernig**, Lowell, IN (US)

(73) **Assignee:** **Brasstech, Inc.**, Santa Ana, CA (US)

(**) **Term:** **14 Years**

(21) **Appl. No.:** **29/215,174**

(22) **Filed:** **Oct. 14, 2004**

(51) **LOC (8) Cl.** **06-04**

(52) **U.S. Cl.** **D6/574**

(58) **Field of Classification Search** D6/524,
D6/525, 540, 553, 567, 574; 108/26-29;
211/13.1, 42, 71.01, 81.01, 88.03, 88.01,
211/90.01, 90.03, 126.1, 133.5, 133.6
See application file for complete search history.

(56) **References Cited**

U.S. PATENT DOCUMENTS

D182,347 S * 3/1958 Alexander D6/562

D372,847 S * 8/1996 Sparks D6/574
D442,812 S * 5/2001 McMahon et al. D6/525
6,588,030 B1 * 7/2003 Wulff 206/77.1
D501,622 S * 2/2005 Hoernig D6/574

* cited by examiner

Primary Examiner—Brian N Vinson

(74) *Attorney, Agent, or Firm*—Edgar A. Zarins; Lloyd D. Doigan

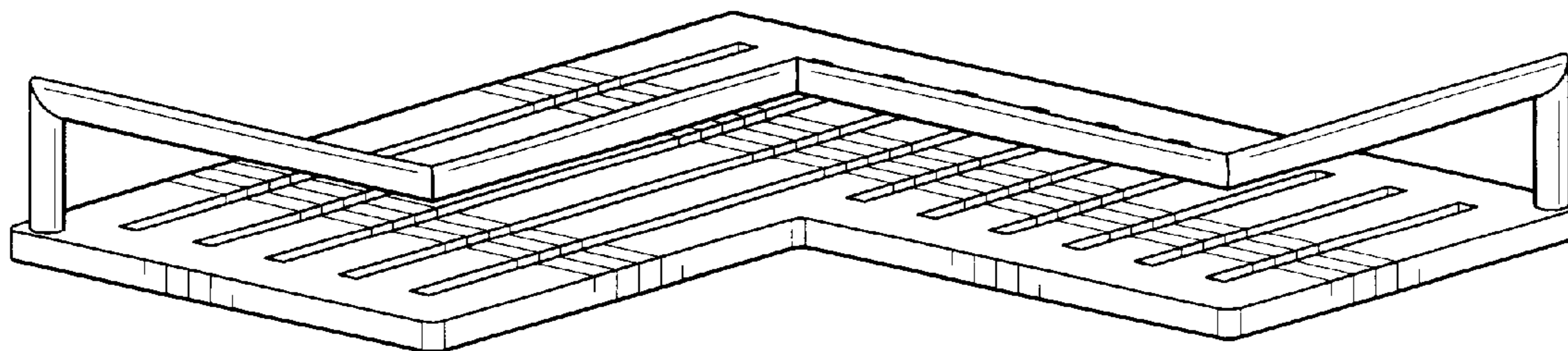
(57) **CLAIM**

The ornamental design for a corner shelf, as shown and described.

DESCRIPTION

FIG. 1 is a perspective view of a corner shelf showing my new design;
FIG. 2 is a top plan view thereof;
FIG. 3 is a bottom plan view thereof;
FIG. 4 is a left side view thereof; and,
FIG. 5 is a right side view thereof.

1 Claim, 2 Drawing Sheets



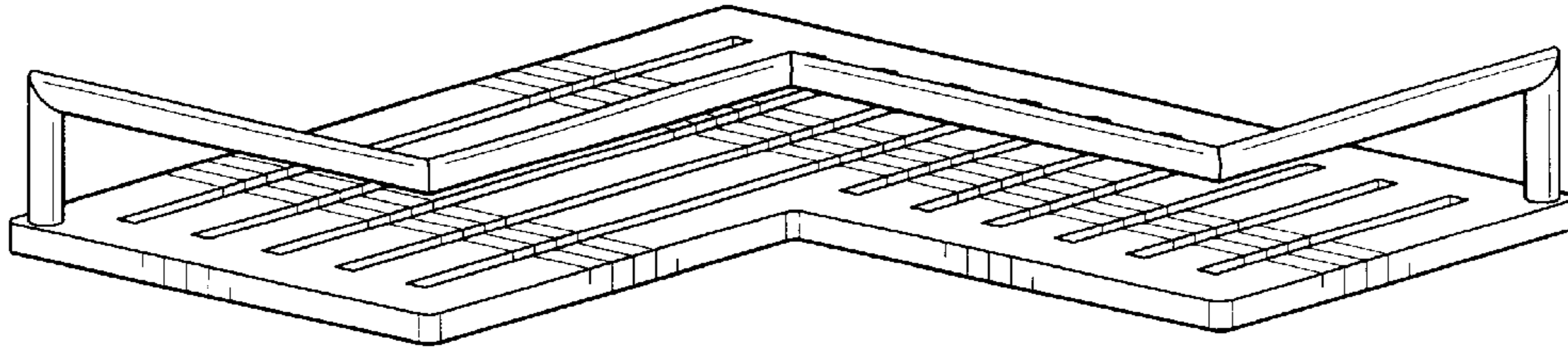


Fig-1

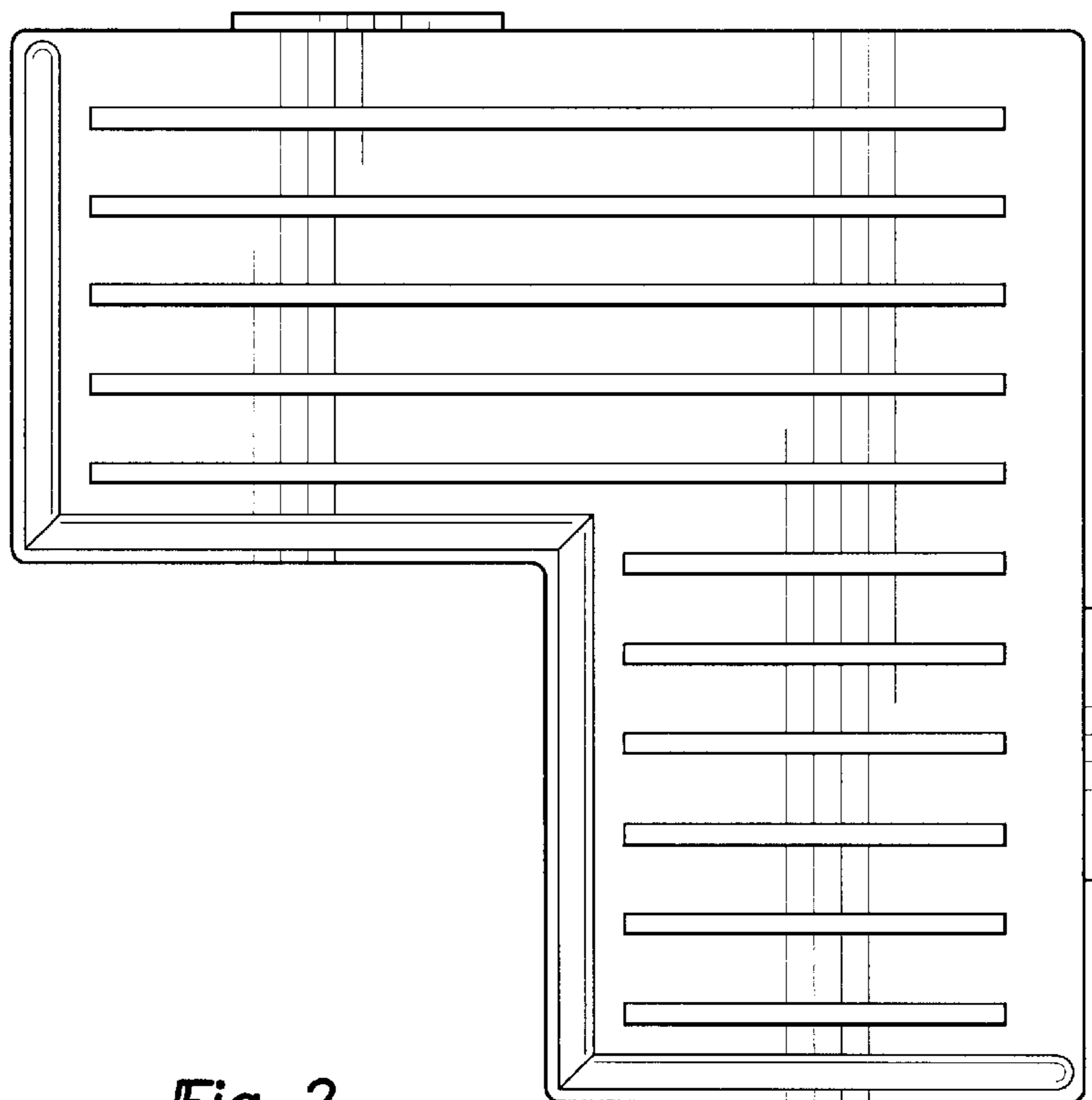


Fig-2

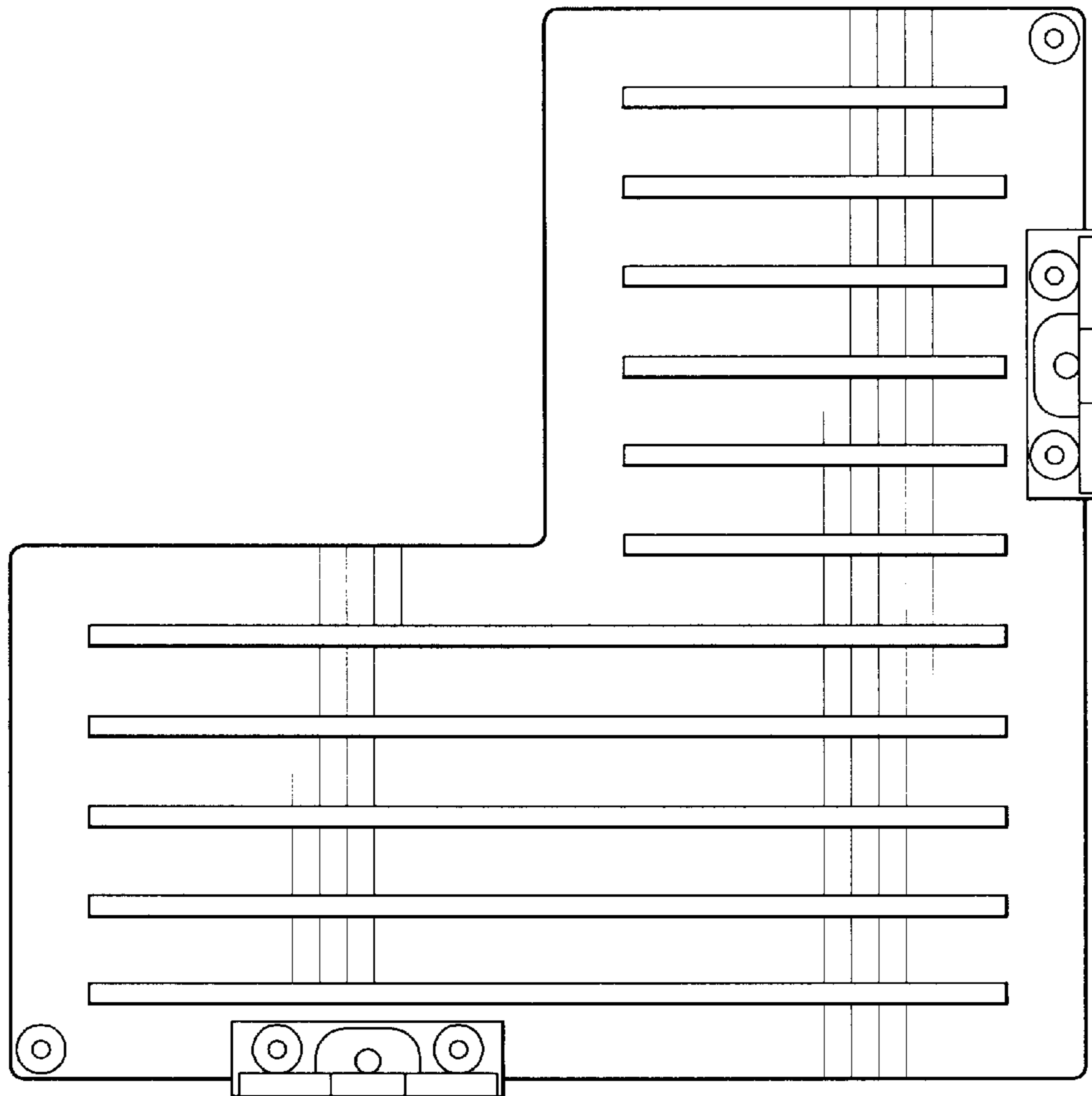


Fig-3

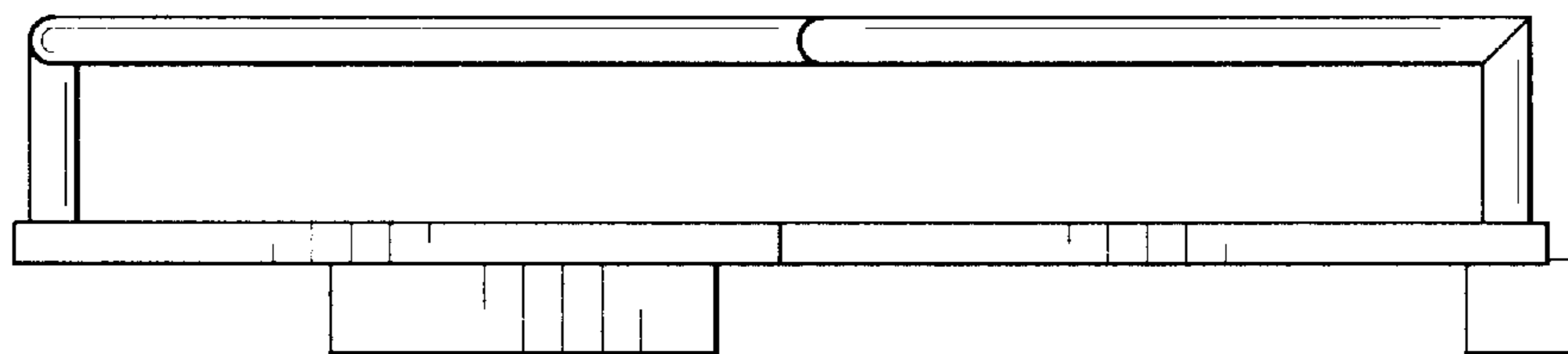


Fig-4

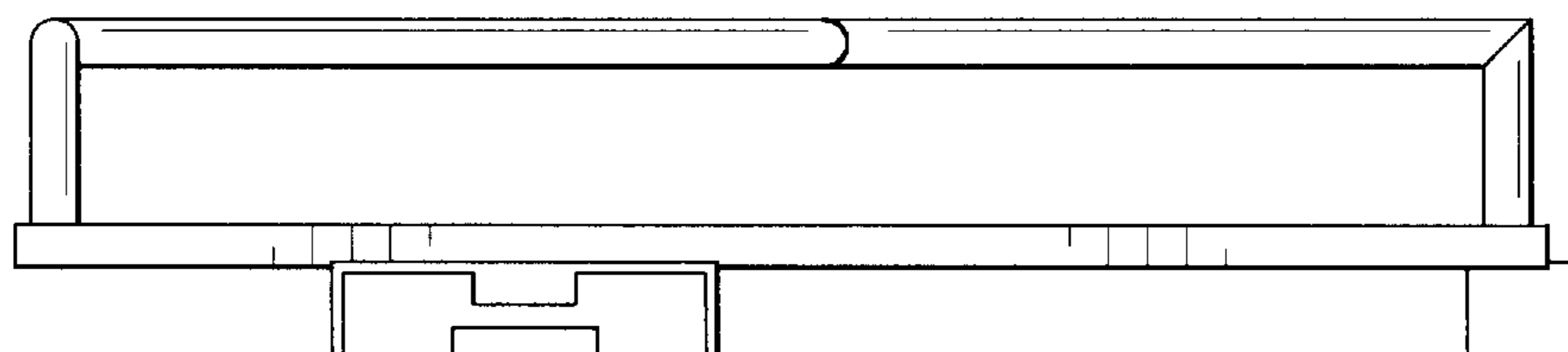


Fig-5