



US00D514361S

(12) **United States Design Patent**
Gilbert

(10) **Patent No.:** **US D514,361 S**

(45) **Date of Patent:** **** Feb. 7, 2006**

(54) **ACCESSORY POST**

(75) **Inventor:** **Christopher Jon Gilbert**, Moreland Hills, OH (US)

(73) **Assignee:** **Moen Incorporated**, North Olmsted, OH (US)

(**) **Term:** **14 Years**

(21) **Appl. No.:** **29/225,519**

(22) **Filed:** **Mar. 17, 2005**

Related U.S. Application Data

(62) Division of application No. 29/198,231, filed on Jan. 27, 2004, now Pat. No. Des. 505,037.

(51) **LOC (8) Cl.** **23-02**

(52) **U.S. Cl.** **D6/524**

(58) **Field of Classification Search** D6/546-550, D6/518-519, 522-524; D8/300, 303, 315-321, D8/354, 363, 373, 380; 108/28-29; 211/13.1, 211/16, 60.1, 86.01, 87.01, 88.01, 88.04, 211/100, 105.1-105.2, 123, 126.1, 133.6, 211/134, 181.1, 182; 248/175, 176.1, 200, 248/251, 302, 309.1; 16/110.1, 412, 415; 242/570, 590, 595-598; 206/389, 557

See application file for complete search history.

(56) **References Cited**

U.S. PATENT DOCUMENTS

- D155,168 S * 9/1949 Kiehl D6/550
- D375,011 S * 10/1996 Lee D6/550
- D451,738 S * 12/2001 Yeh D6/550

- D452,400 S 12/2001 Chen
- D455,309 S * 4/2002 Hoernig D6/550
- D466,737 S 12/2002 Tai
- D477,954 S 8/2003 Gilbert
- D481,235 S * 10/2003 Gilbert D6/524
- D492,523 S * 7/2004 Graves et al. D6/524

* cited by examiner

Primary Examiner—Brian N Vinson

(74) *Attorney, Agent, or Firm*—Calfee, Halter & Griswold LLP

(57) **CLAIM**

The ornamental design for an accessory post, as shown and described.

DESCRIPTION

FIG. 1 is a perspective view of an accessory post of the new design;

FIG. 2 is a right side elevational view of the accessory post of FIG. 1;

FIG. 3 is a top plan view of the accessory post of FIG. 1; FIG. 4 is a front elevational view of the accessory post of FIG. 1;

FIG. 5 is a left side elevational view of the accessory post of FIG. 1;

FIG. 6 is a bottom plan view of the accessory post of FIG. 1; and,

FIG. 7 is a rear elevational view of the accessory post of FIG. 1.

The portion of the Figures shown in broken lines is for illustrative purposes only, and forms no part of the claimed design.

1 Claim, 2 Drawing Sheets

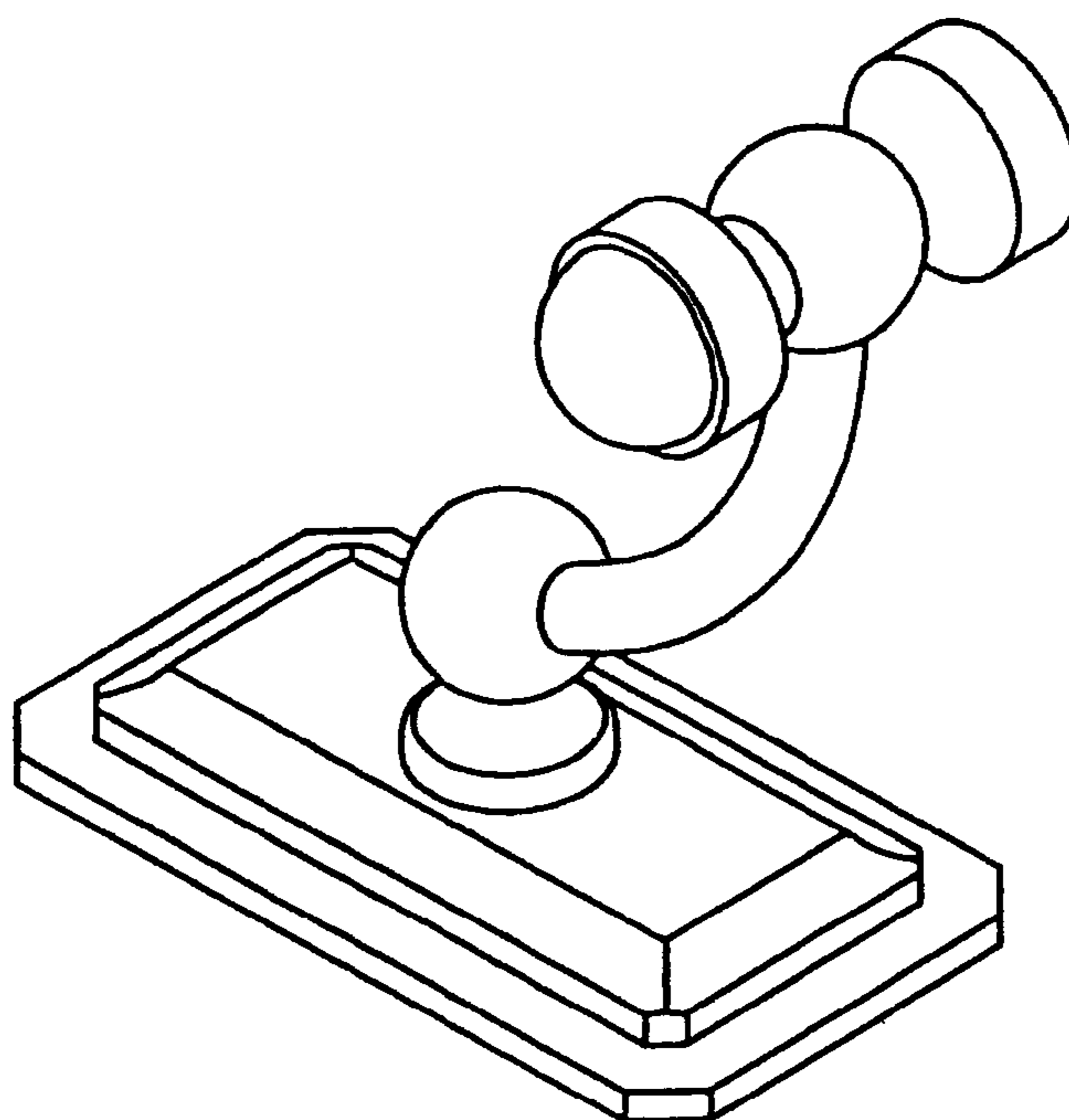


FIG. 1

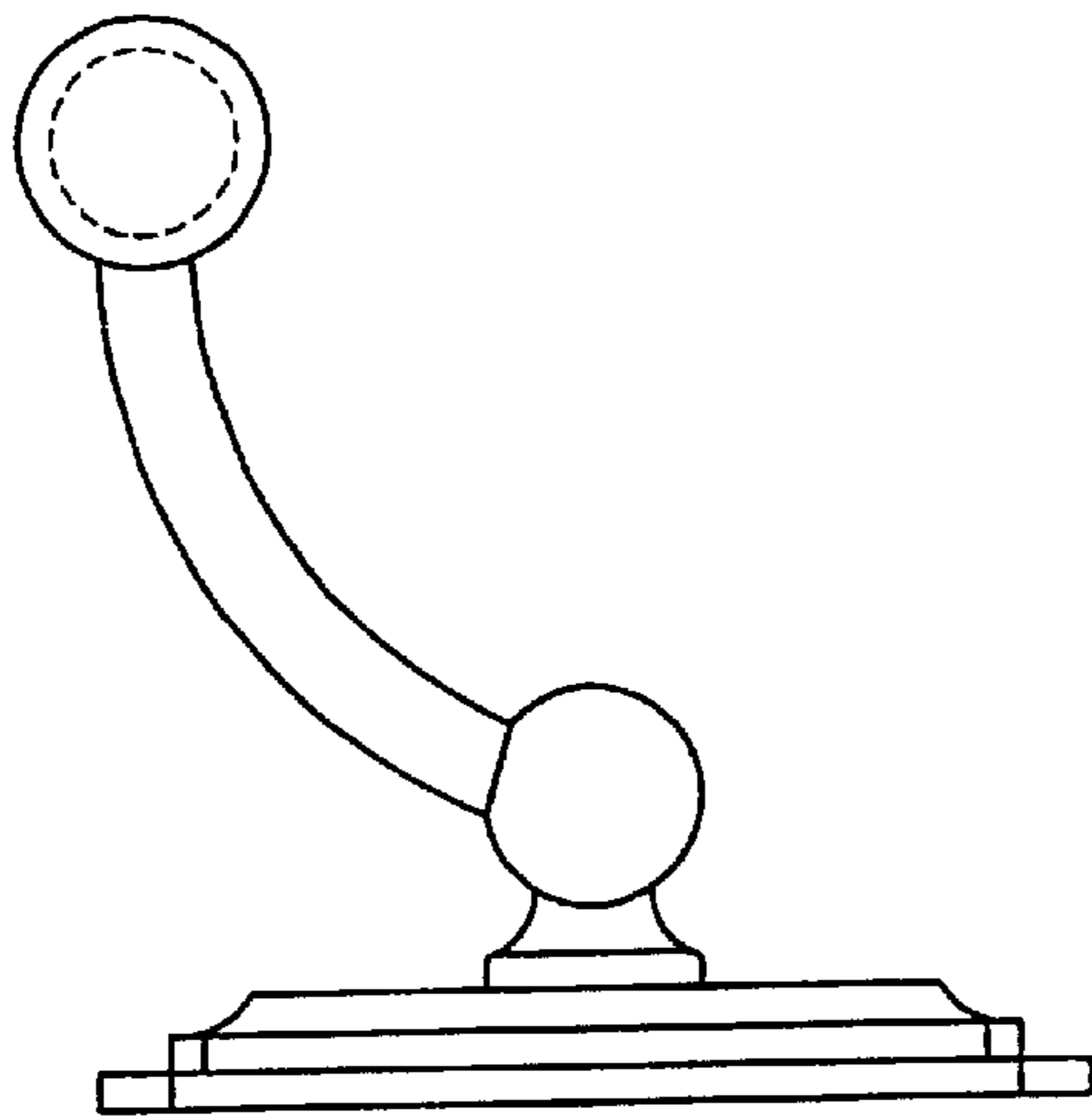
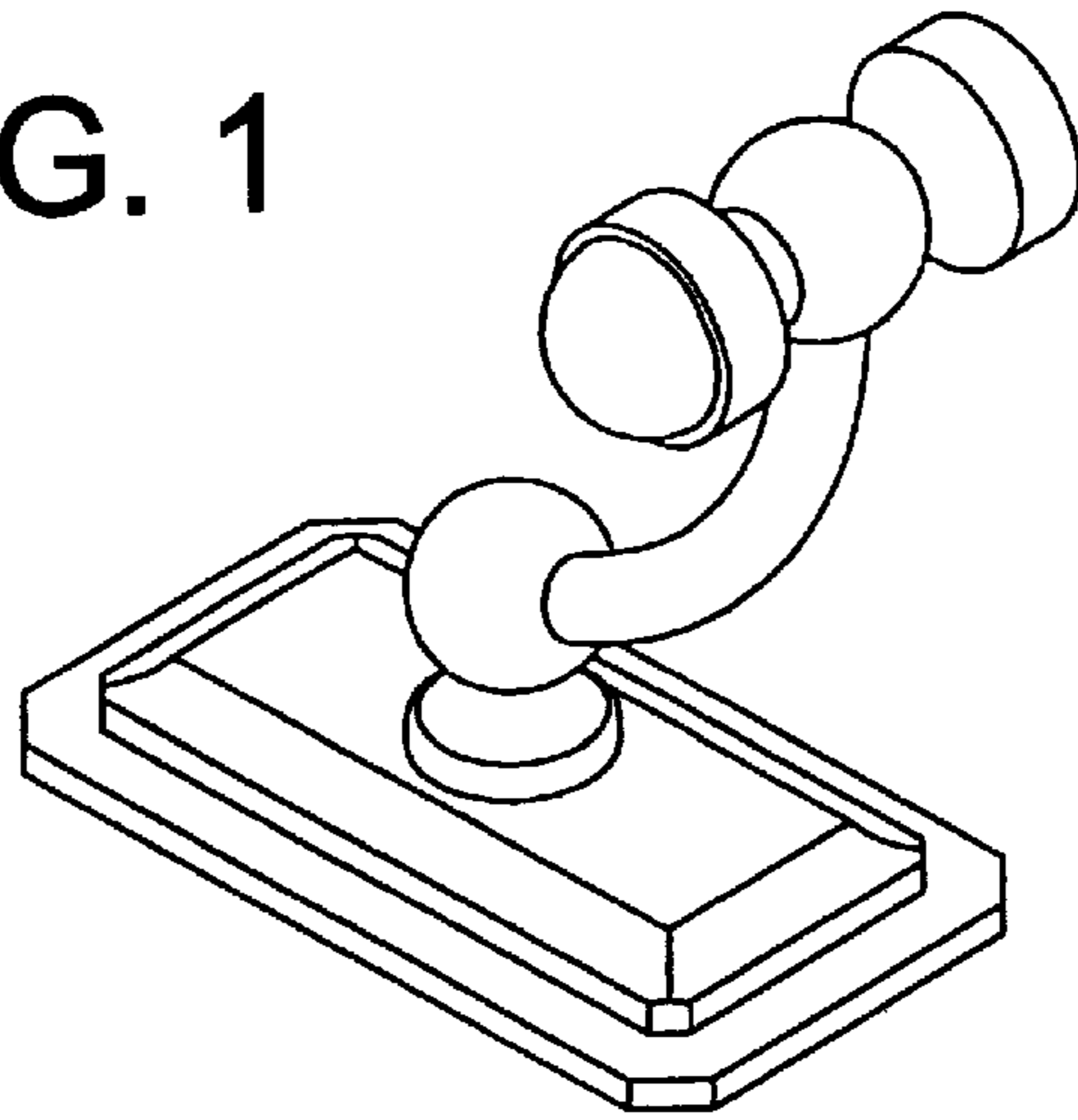


FIG. 2

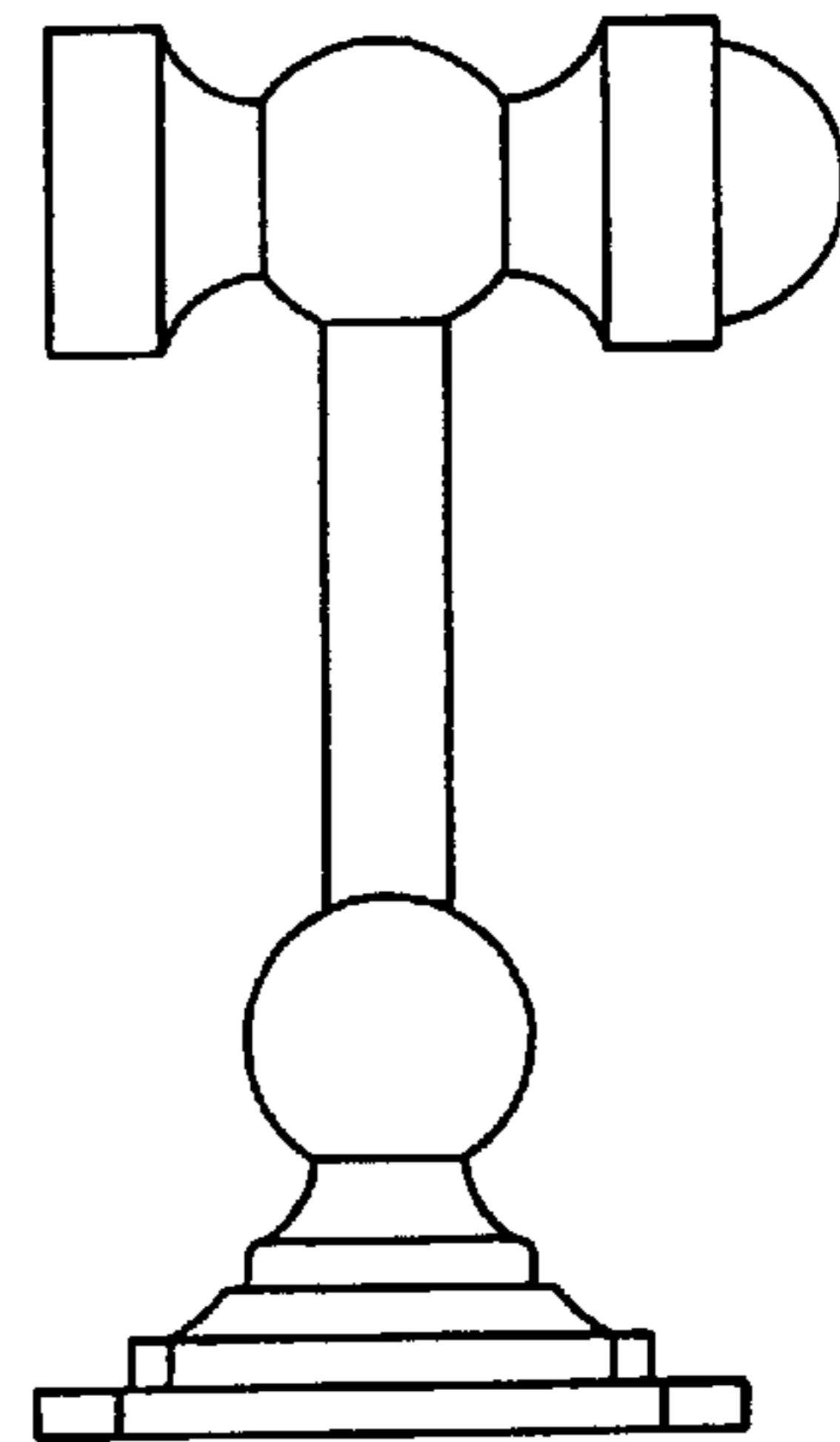


FIG. 3

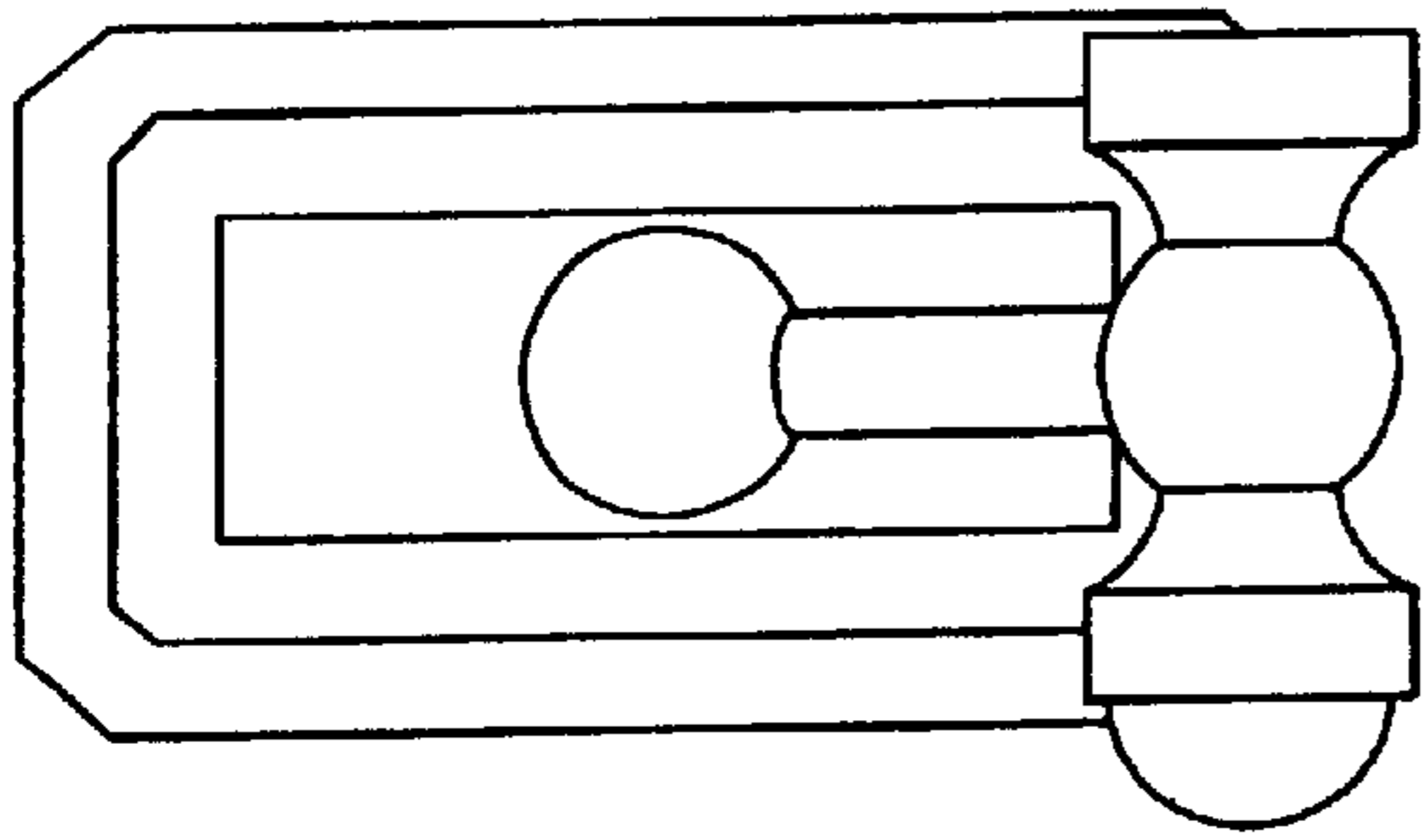


FIG. 4

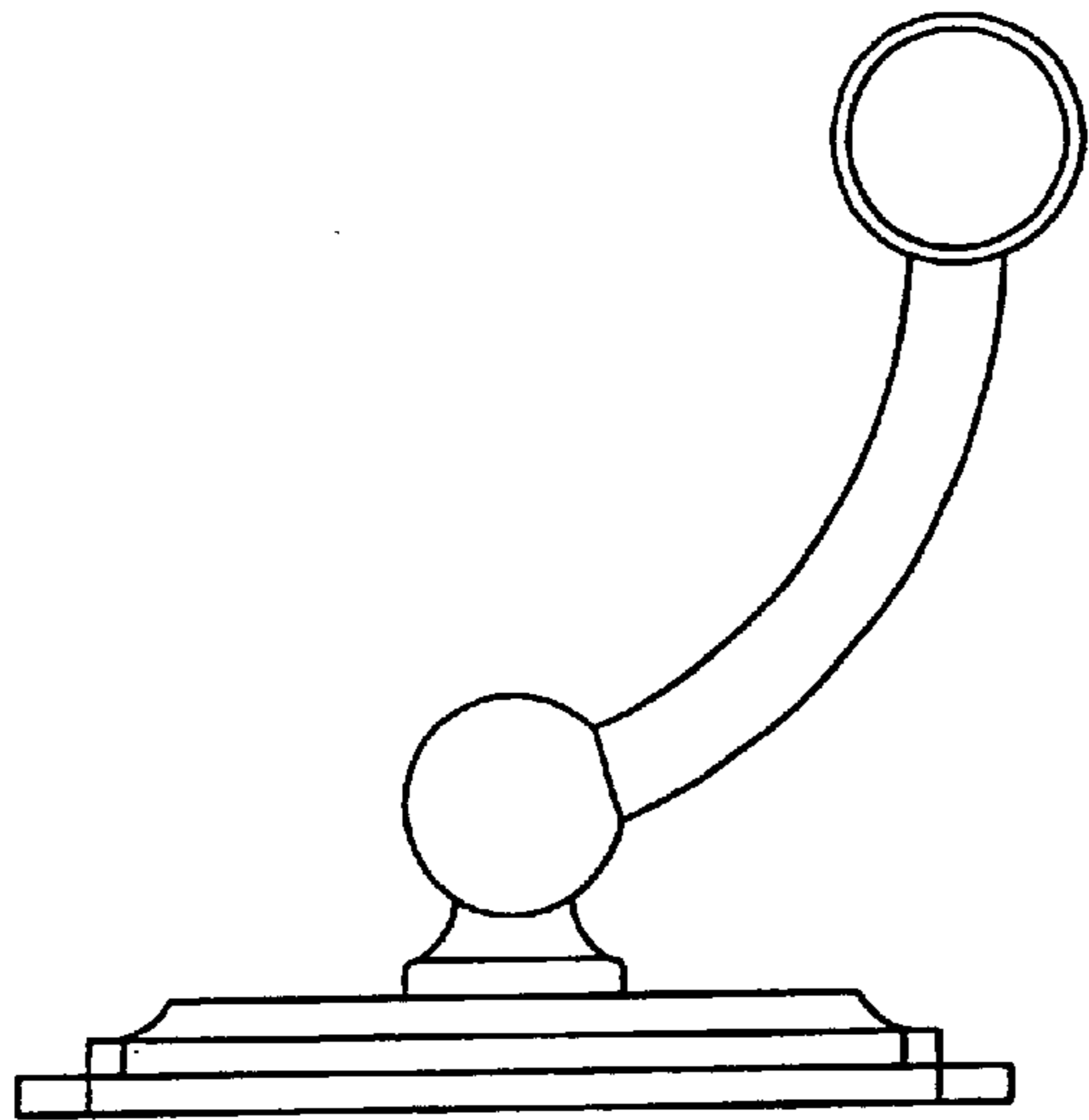


FIG. 5

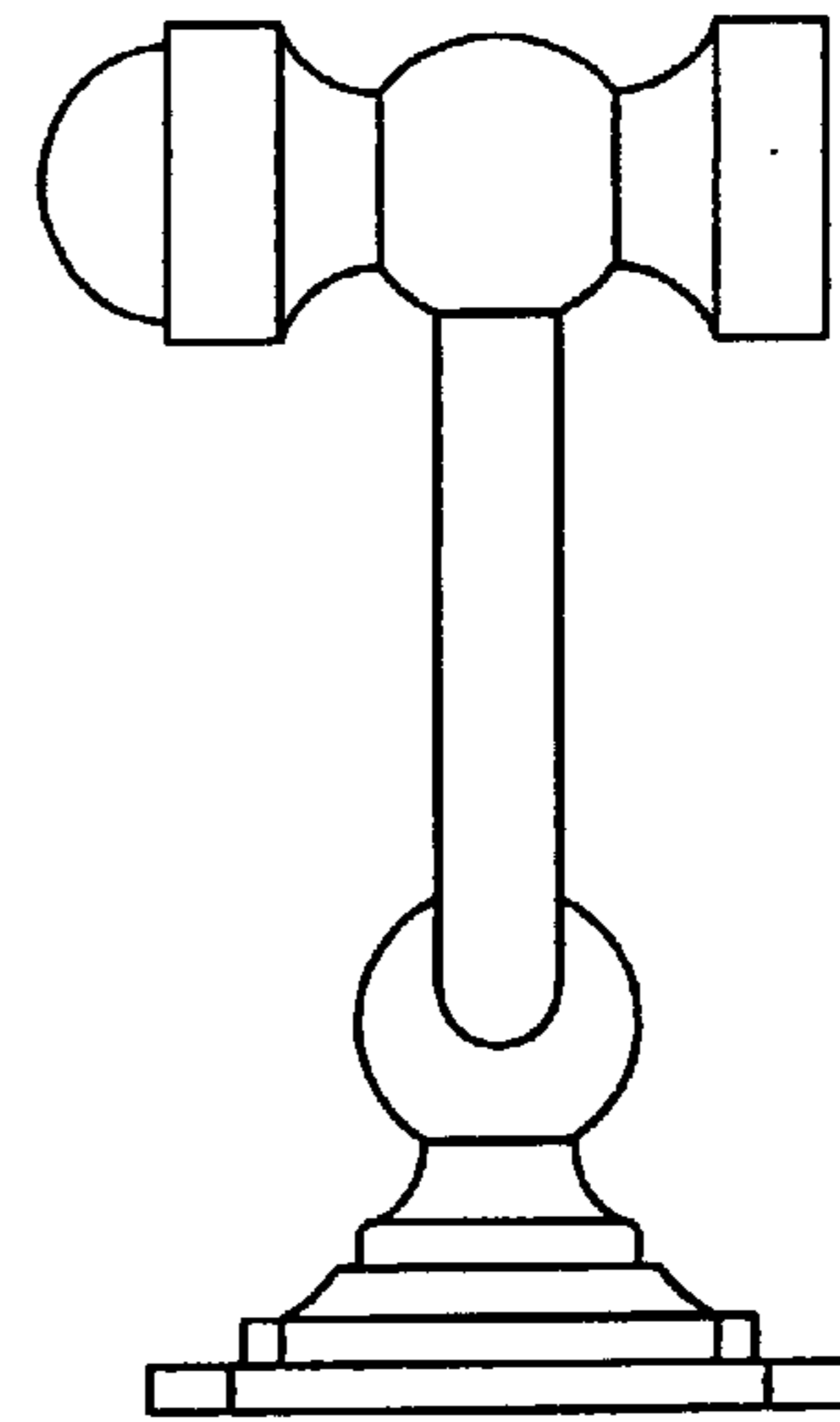


FIG. 6

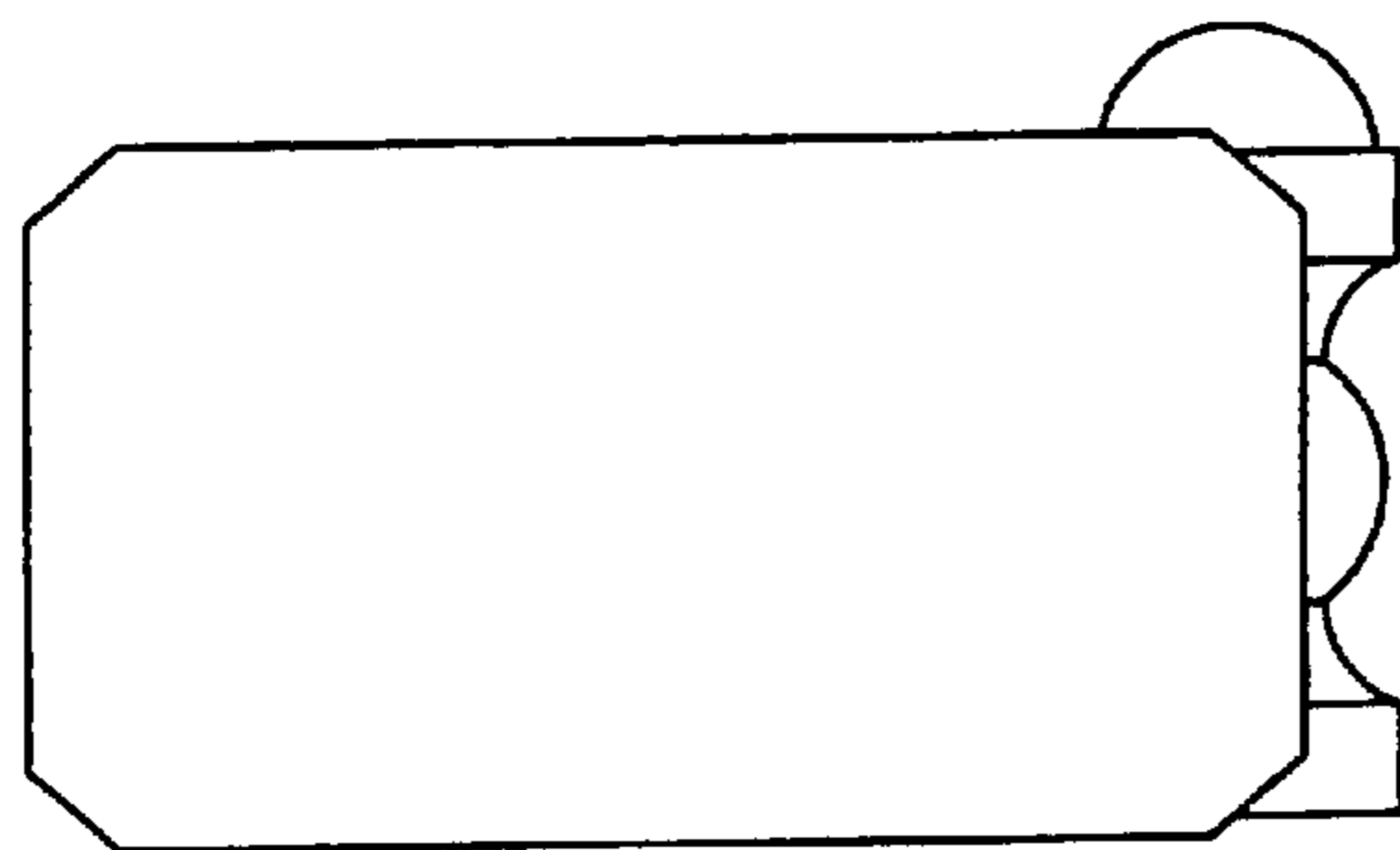


FIG. 7