



US00D514360S

(12) **United States Design Patent**
Richardson

(10) **Patent No.:** **US D514,360 S**

(45) **Date of Patent:** **** Feb. 7, 2006**

(54) **TOILET PAPER COVER**

(76) **Inventor:** **Jon Michelle Richardson**, 100 Forest Pl., Unit P5, Oak Park, IL (US) 60301

(**) **Term:** **14 Years**

(21) **Appl. No.:** **29/196,626**

(22) **Filed:** **Jan. 2, 2004**

(51) **LOC (8) Cl.** **23-02**

(52) **U.S. Cl.** **D6/523**

(58) **Field of Classification Search** D6/518-523;
206/389, 398; 242/550, 598.5, 598.6, 609.5;
312/34.8; 211/85.5

See application file for complete search history.

(56) **References Cited**

U.S. PATENT DOCUMENTS

2,422,749	A	*	6/1947	Rougas	242/598.6
3,760,976	A	*	9/1973	Andreacchio	242/598.6
D249,604	S	*	9/1978	Woo	D6/523
4,285,474	A	*	8/1981	Perez	242/598.5
D267,760	S	*	2/1983	Vrignaud	D6/523

4,427,159	A	*	1/1984	Miller et al.	242/560
D292,859	S	*	11/1987	Neumann	D6/518
5,170,958	A	*	12/1992	Brown	242/598.6
D393,770	S	*	4/1998	Daly	D6/523
D487,858	S	*	3/2004	Richardson	D6/523

* cited by examiner

Primary Examiner—Brian N Vinson

(57) **CLAIM**

The ornamental design for a toilet paper cover, as shown and described.

DESCRIPTION

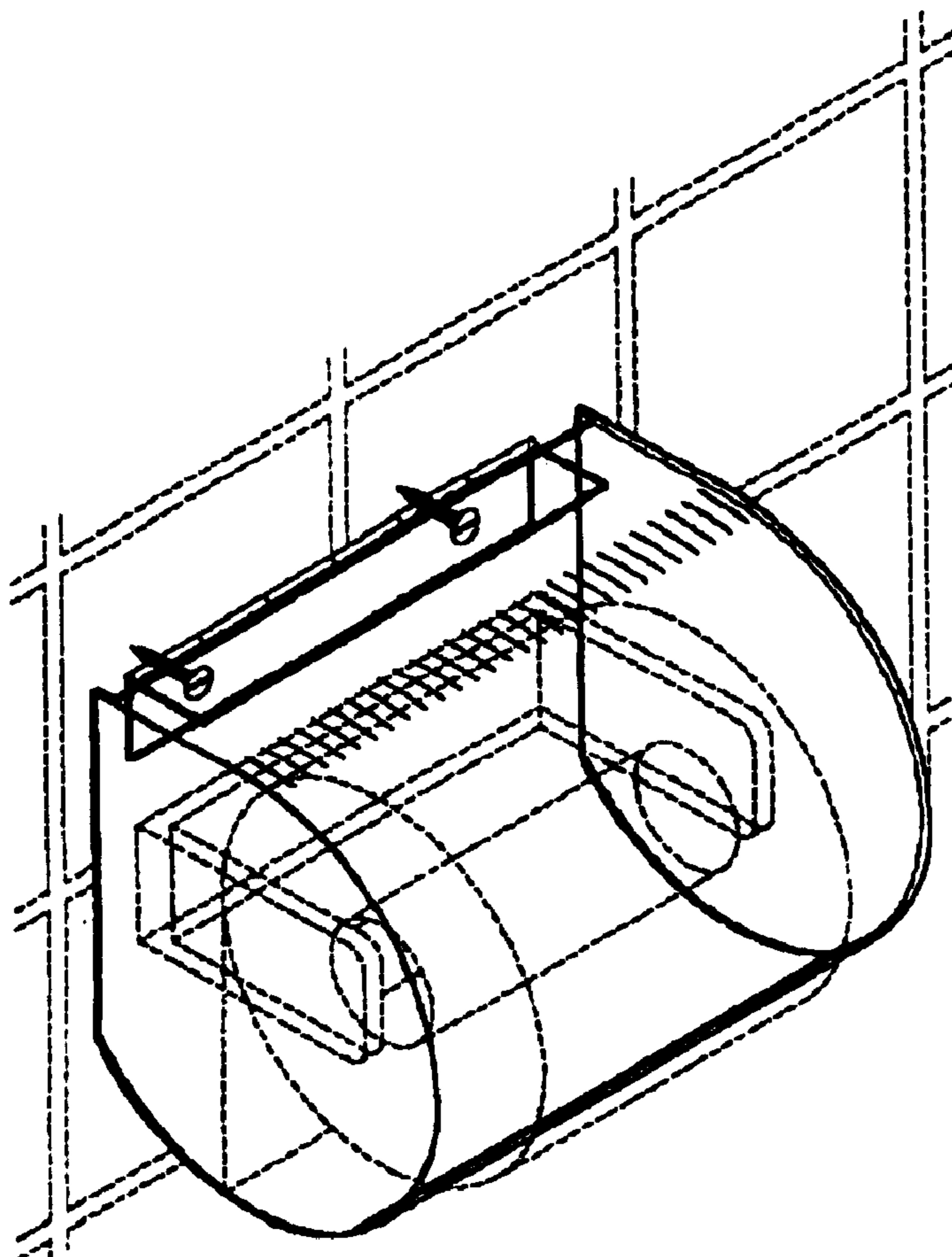
FIG. 1 is a top, front, and left side perspective view of a toilet paper cover showing my new design, the broken-line disclosure of a wall fragment, toilet paper holder, and toilet paper roll being for illustrative purposes only and forming no part of the claimed design;

FIG. 2 is a front elevational view thereof;

FIG. 3 is a rear elevational view thereof; and,

FIG. 4 is a left side elevational view thereof.

1 Claim, 1 Drawing Sheet



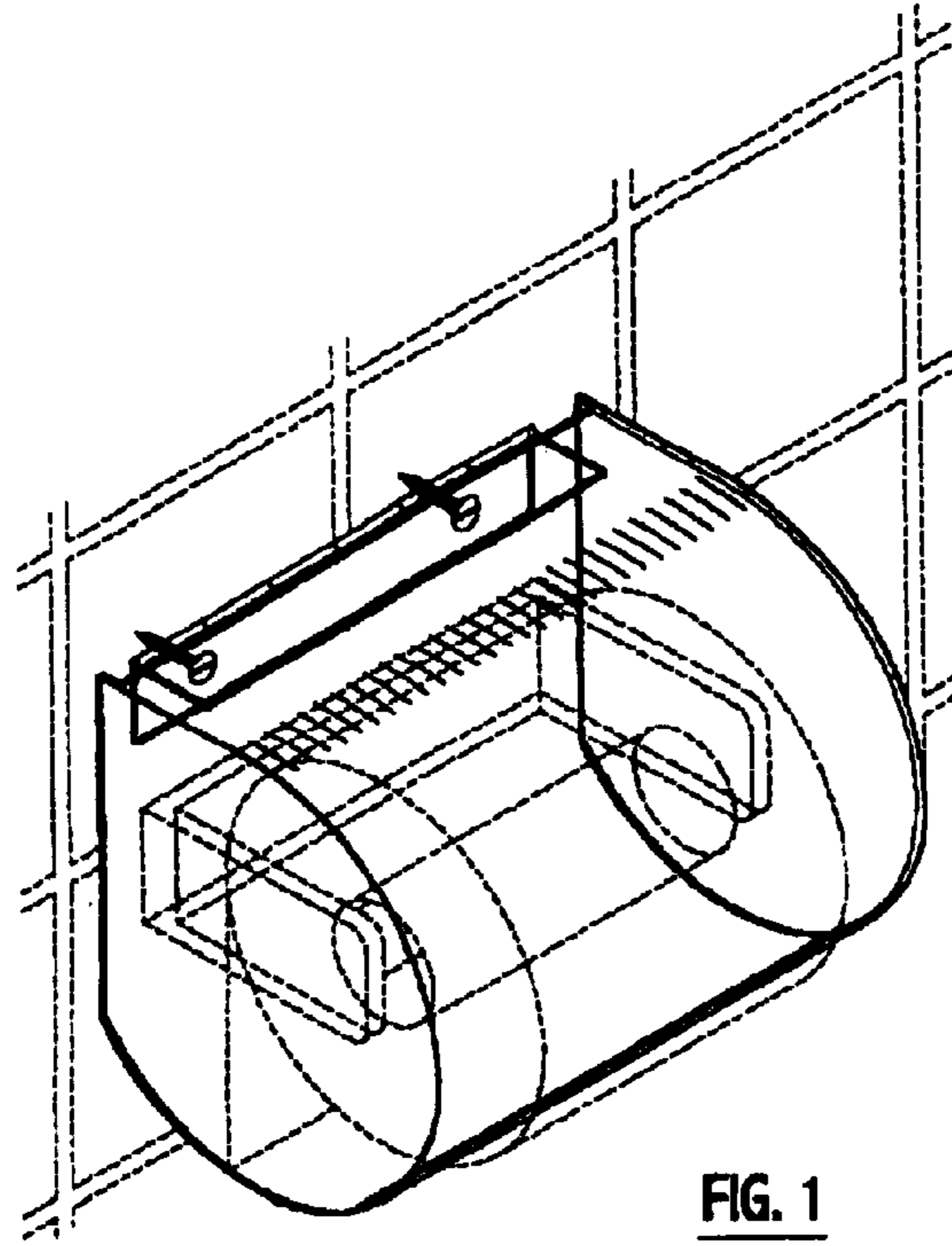


FIG. 1

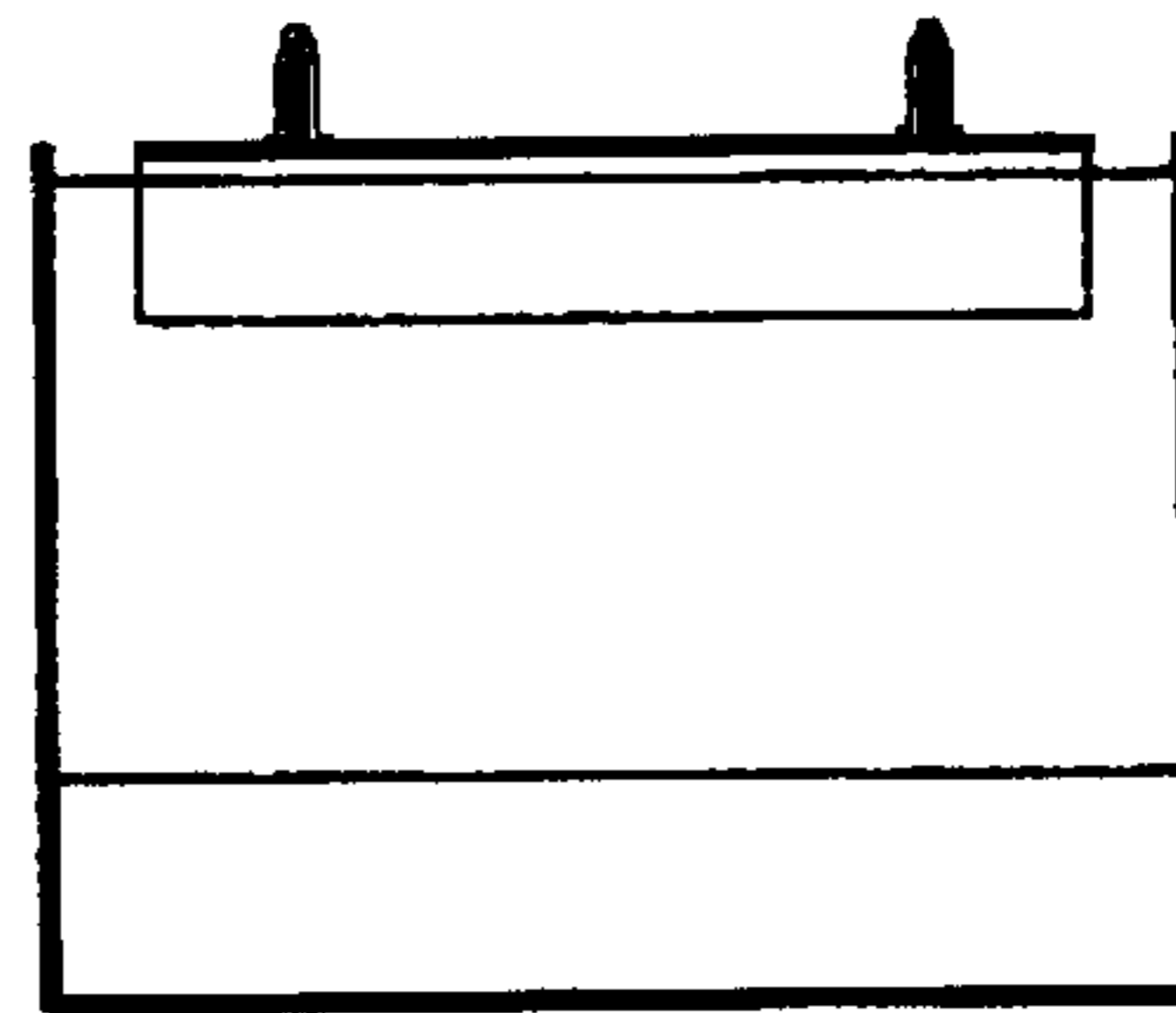


FIG. 2

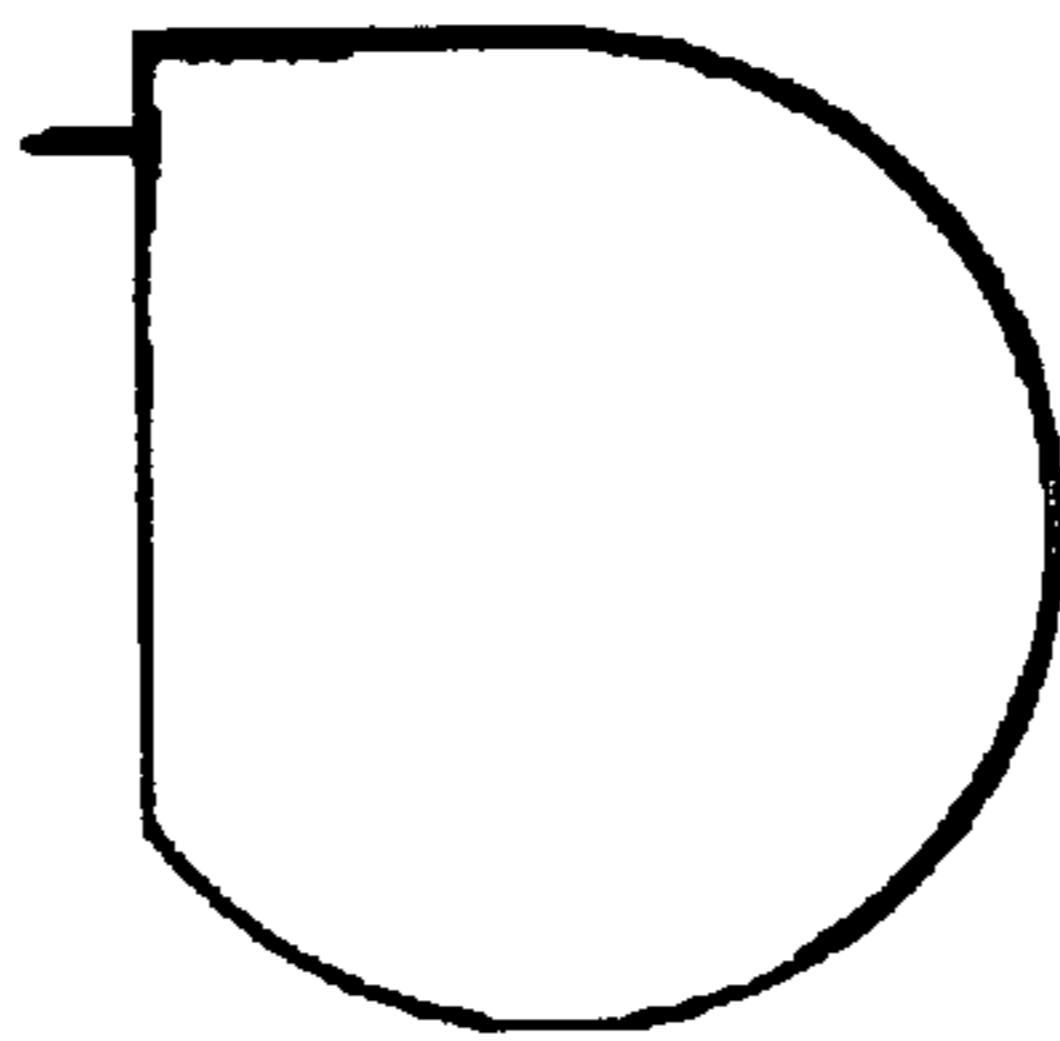


FIG. 4

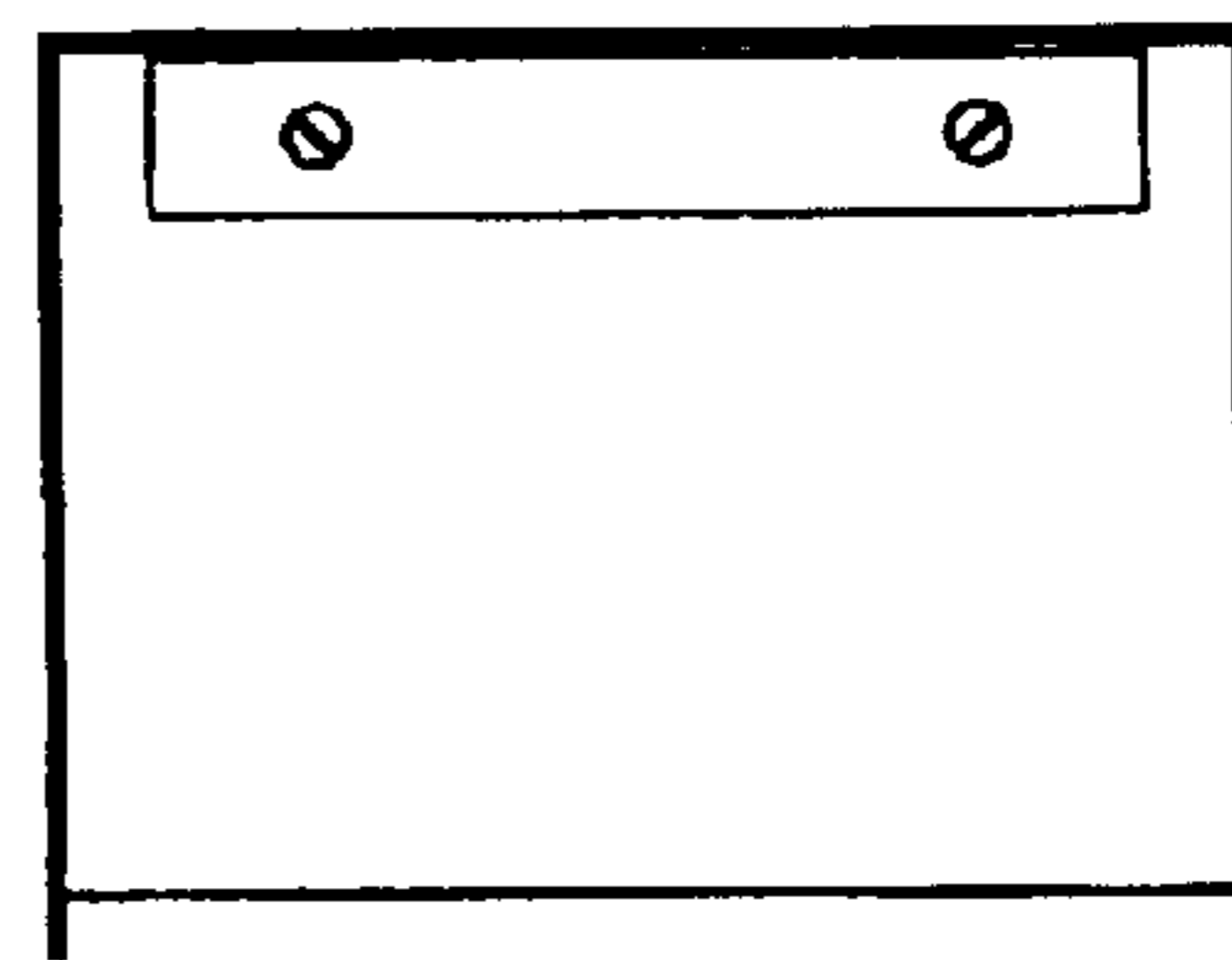


FIG. 3

Semi-Cylindrical Toilet Paper Roll Cover