



US00D514356S

(12) **United States Design Patent**
Ng et al.

(10) **Patent No.:** **US D514,356 S**
(45) **Date of Patent:** **** Feb. 7, 2006**

(54) **COFFEE TABLE**

(76) Inventors: **Edward Ng**, 931 Massachusetts Ave.,
Suite 604, Cambridge, MA (US) 02139;
Achyut Kantawala, 5 Haskell St., Apt.
41, Cambridge, MA (US) 02140

(**) Term: **14 Years**

(21) Appl. No.: **29/202,857**

(22) Filed: **Apr. 6, 2004**

(51) **LOC (8) Cl.** **06-03**

(52) **U.S. Cl.** **D6/480**

(58) **Field of Classification Search** D6/480-489,
D6/495-499, 429, 450, 451, 388; 108/153.1,
108/155, 156, 157.1, 161; 248/188, 188.1,
248/188.8; D12/6, 9; 280/8, 22
See application file for complete search history.

(56) **References Cited**

U.S. PATENT DOCUMENTS

D222,278 S * 10/1971 Thornhill D6/485

D225,949 S * 1/1973 Torrey D6/485
D229,808 S * 1/1974 McDonald D6/485
D342,848 S * 1/1994 Armstrong D6/480

* cited by examiner

Primary Examiner—Janice E. Seeger

(57) **CLAIM**

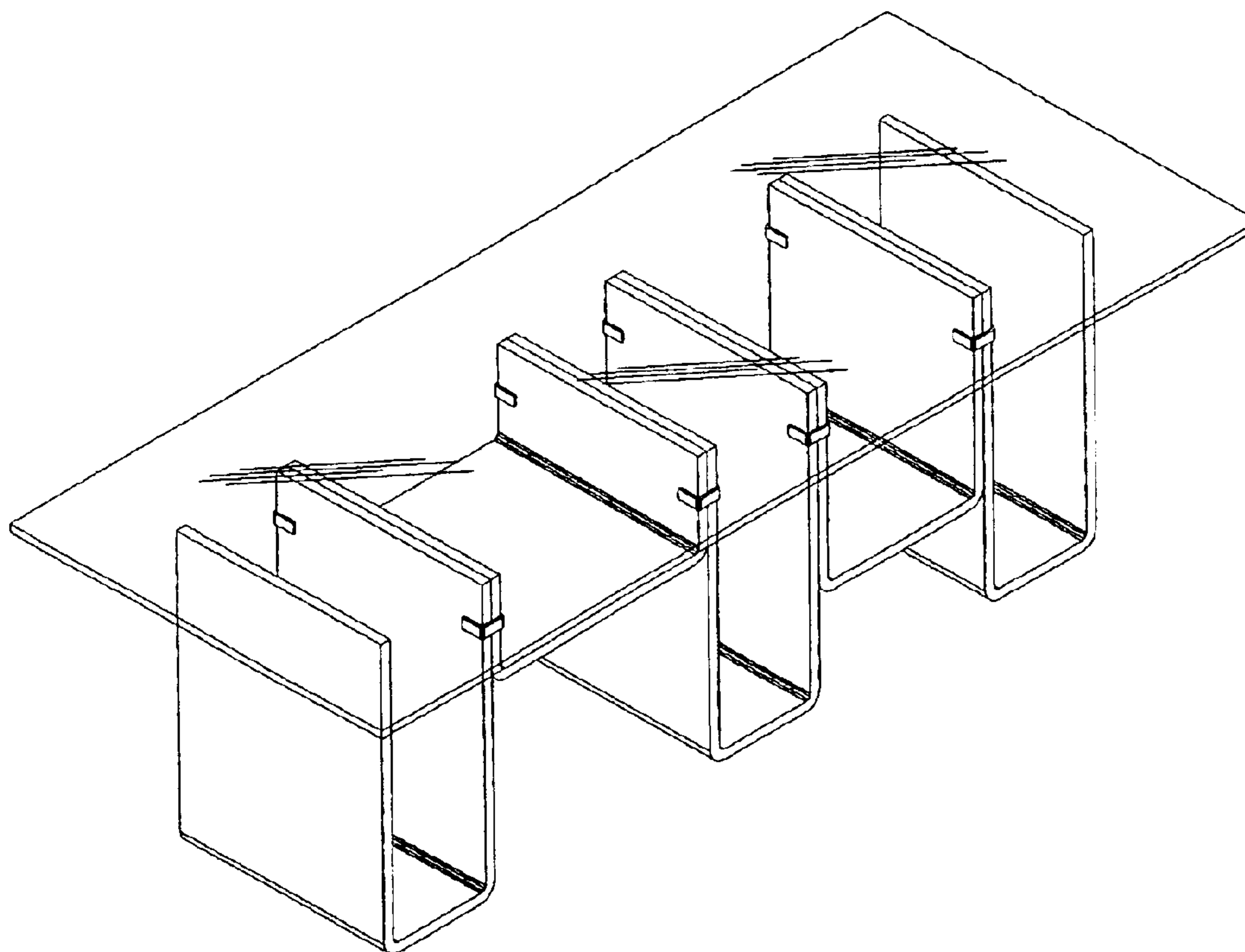
The ornamental design for a “coffee table,” as shown and described.

DESCRIPTION

FIG. 1 is a front Perspective view of coffee table, rear Perspective is mirror image of front view; and,

FIG. 2 is a front Elevational view of coffee table, rear Elevation is mirror image of front view.

1 Claim, 2 Drawing Sheets



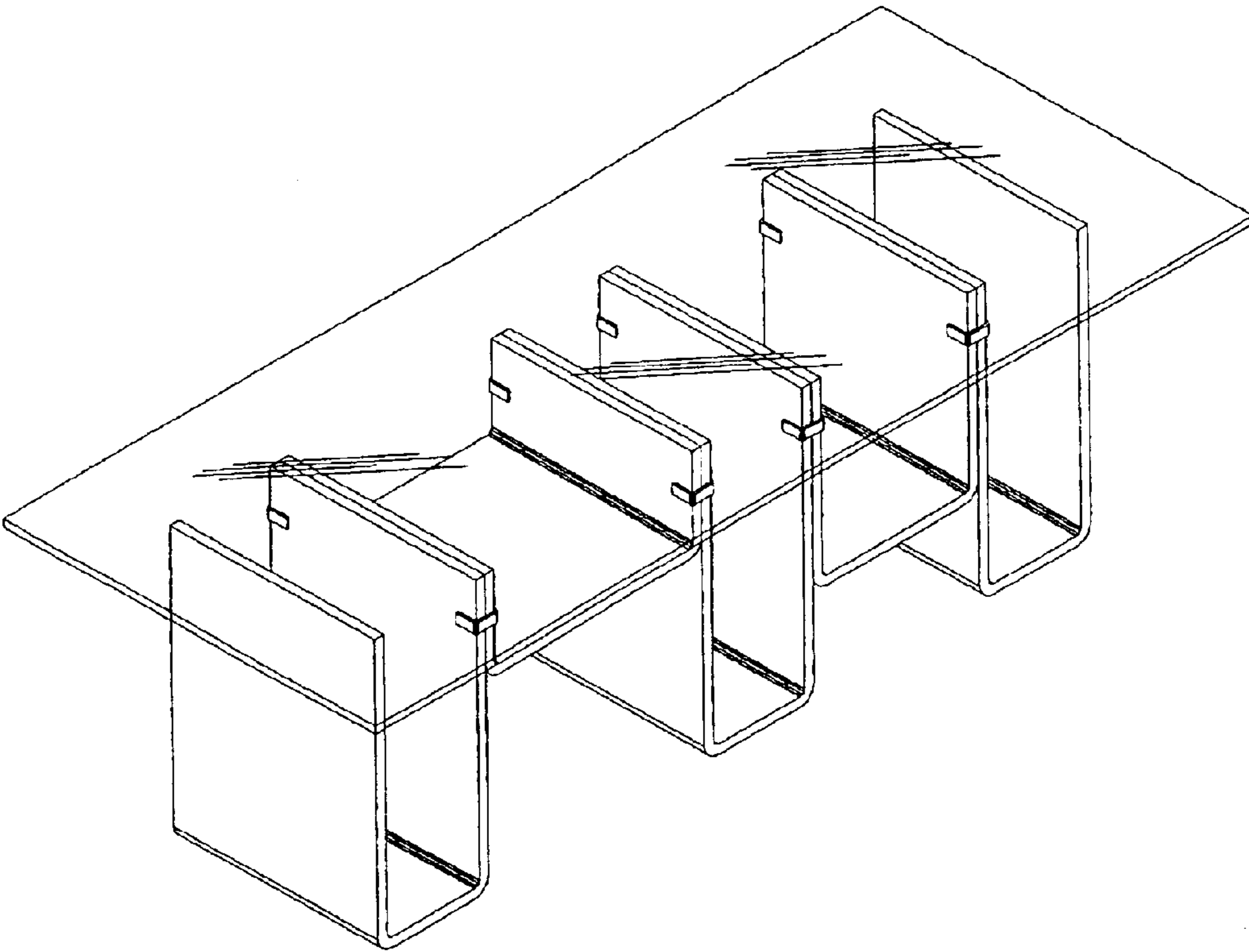


Fig. 1

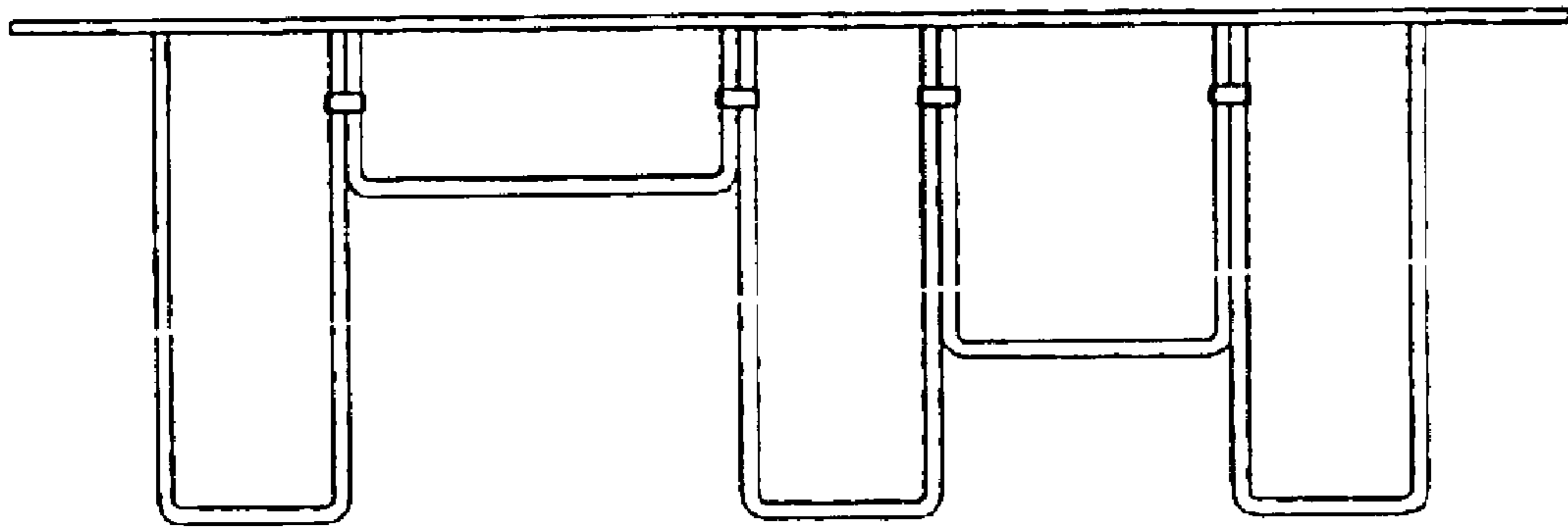


Fig. 2