

US00D514354S

(12) **United States Design Patent**
Nix et al.

(10) **Patent No.:** **US D514,354 S**
(45) **Date of Patent:** **** Feb. 7, 2006**

(54) **STEMWARE RACK**

6,595,475 B2 * 7/2003 Svabek et al. 248/150

(75) Inventors: **Carol Nix**, Raleigh, NC (US); **Matt McConnell**, Raleigh, NC (US); **Brian Kileff**, Hillsborough, NC (US)

* cited by examiner

Primary Examiner—Antoine Duval Davis
Assistant Examiner—Sydney R. Buffalow
(74) *Attorney, Agent, or Firm*—Priest & Goldstein

(73) Assignee: **Oenophilia, Inc.**, Hillborough, NC (US)

(**) Term: **14 Years**

(57) **CLAIM**

The ornamental design for the stemware rack, as shown.

(21) Appl. No.: **29/219,999**

DESCRIPTION

(22) Filed: **Dec. 23, 2004**

(51) **LOC (8) Cl.** **06-04**

FIG. 1 shows a perspective view of a stemware rack according to an aspect of the invention.

(52) **U.S. Cl.** **D6/462**

FIG. 2 shows a front view of the rack shown in FIG. 1.

(58) **Field of Classification Search** D6/462,

FIG. 3 shows a side view of the rack shown in FIG. 1.

D6/429, 449, 458; 211/85.9, 85.13, 85.2,

FIG. 4 shows a top view of the rack shown in FIG. 1.

211/85.5, 85.7, 16, 60.1, 85, 85.31, 195

FIG. 5 shows a bottom view of the rack shown in FIG. 1; and,

See application file for complete search history.

FIG. 6 shows a perspective view of the rack shown in FIG. 1 in a folded position.

(56) **References Cited**

U.S. PATENT DOCUMENTS

1,208,923 A * 12/1916 Dell 211/65

1 Claim, 6 Drawing Sheets

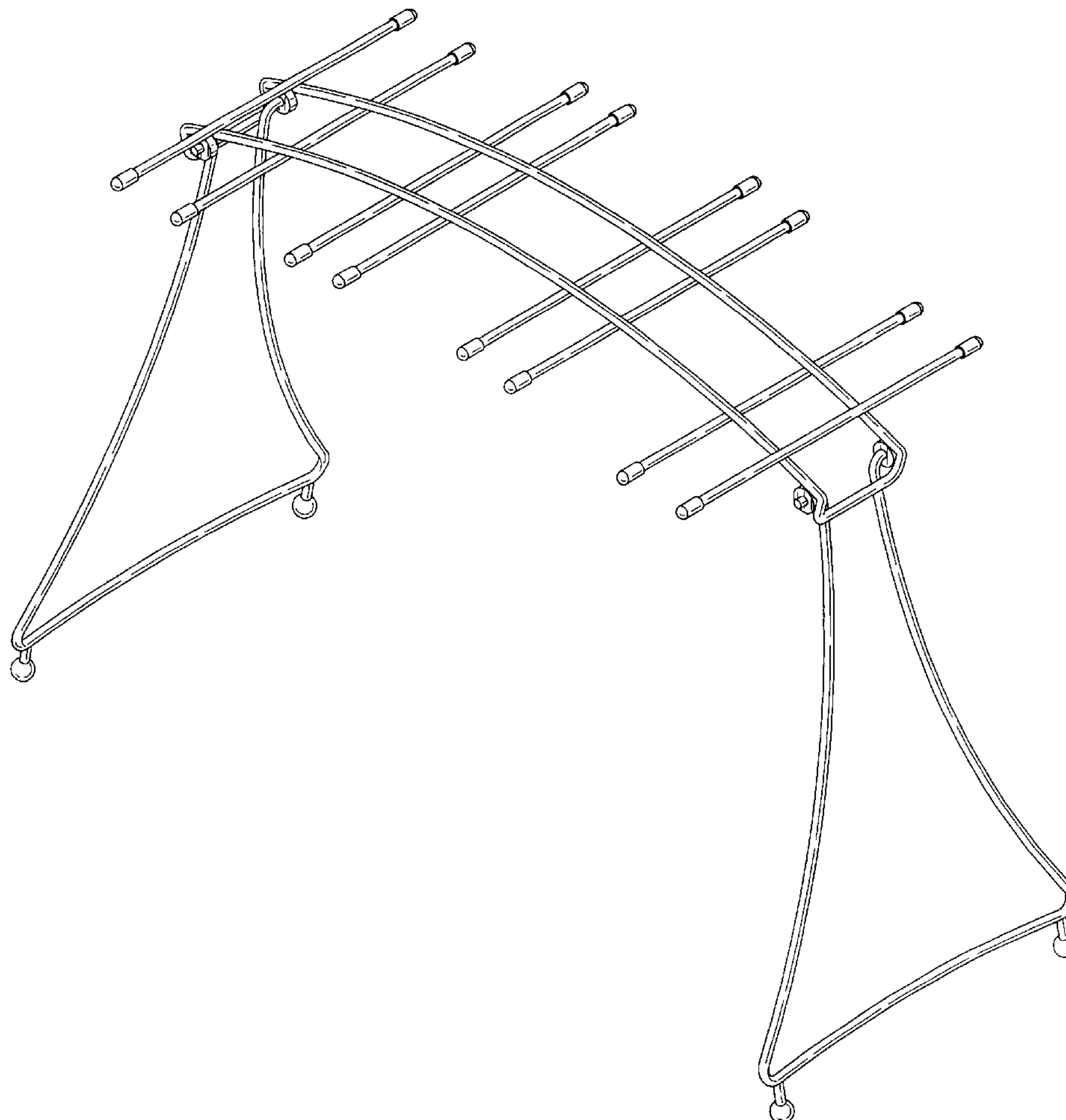


FIG. 1

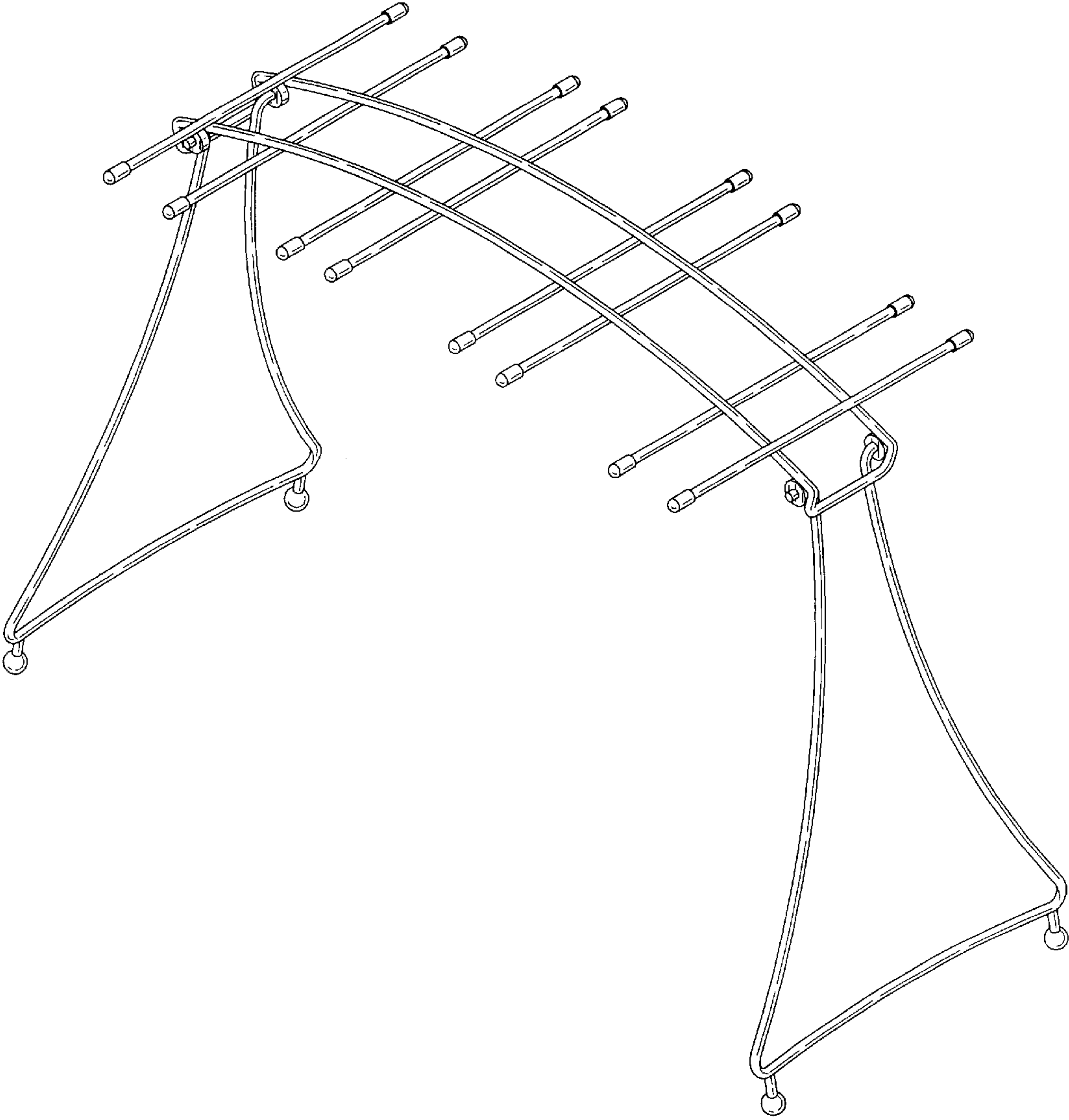


FIG. 2

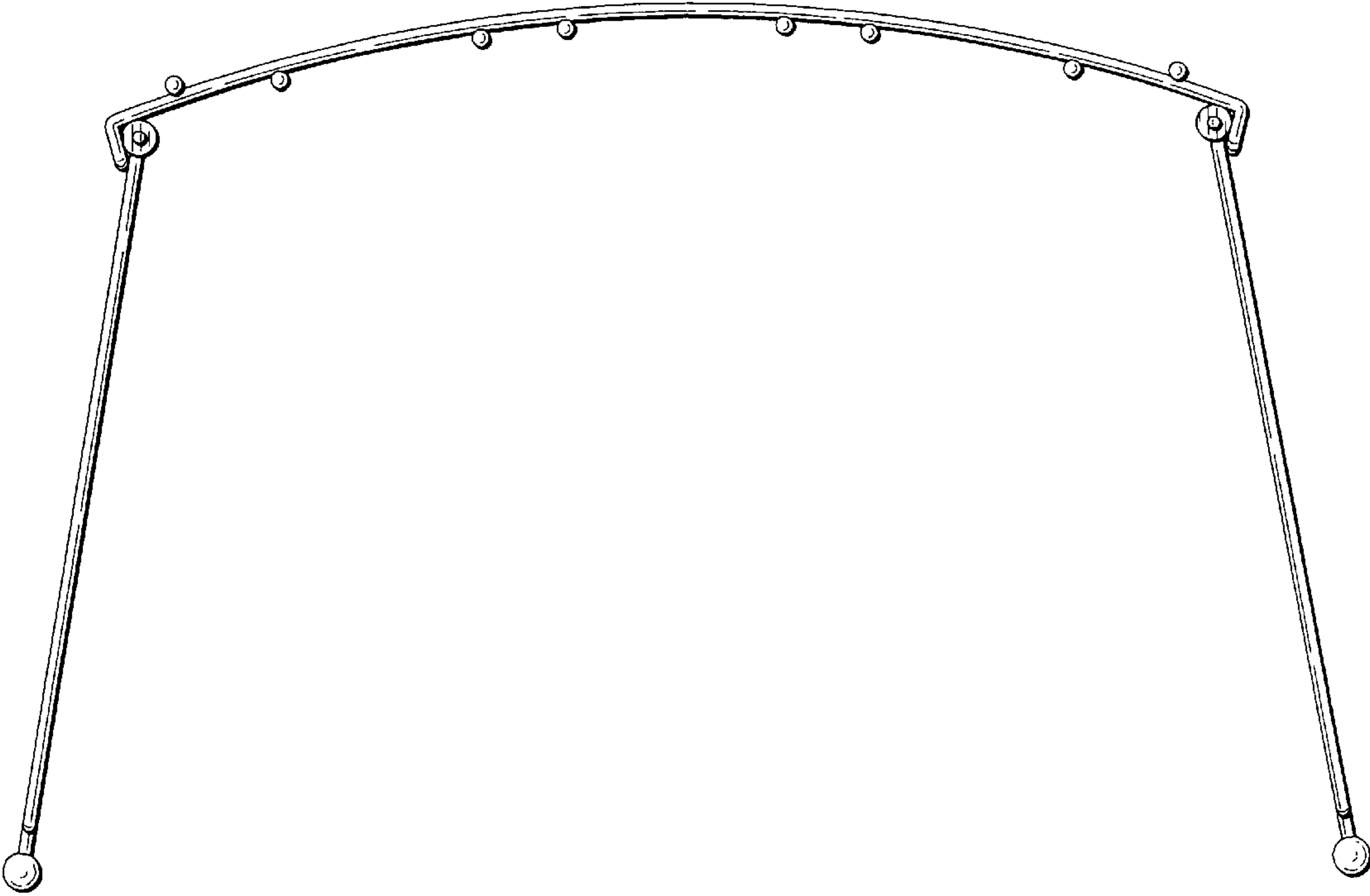


FIG. 3

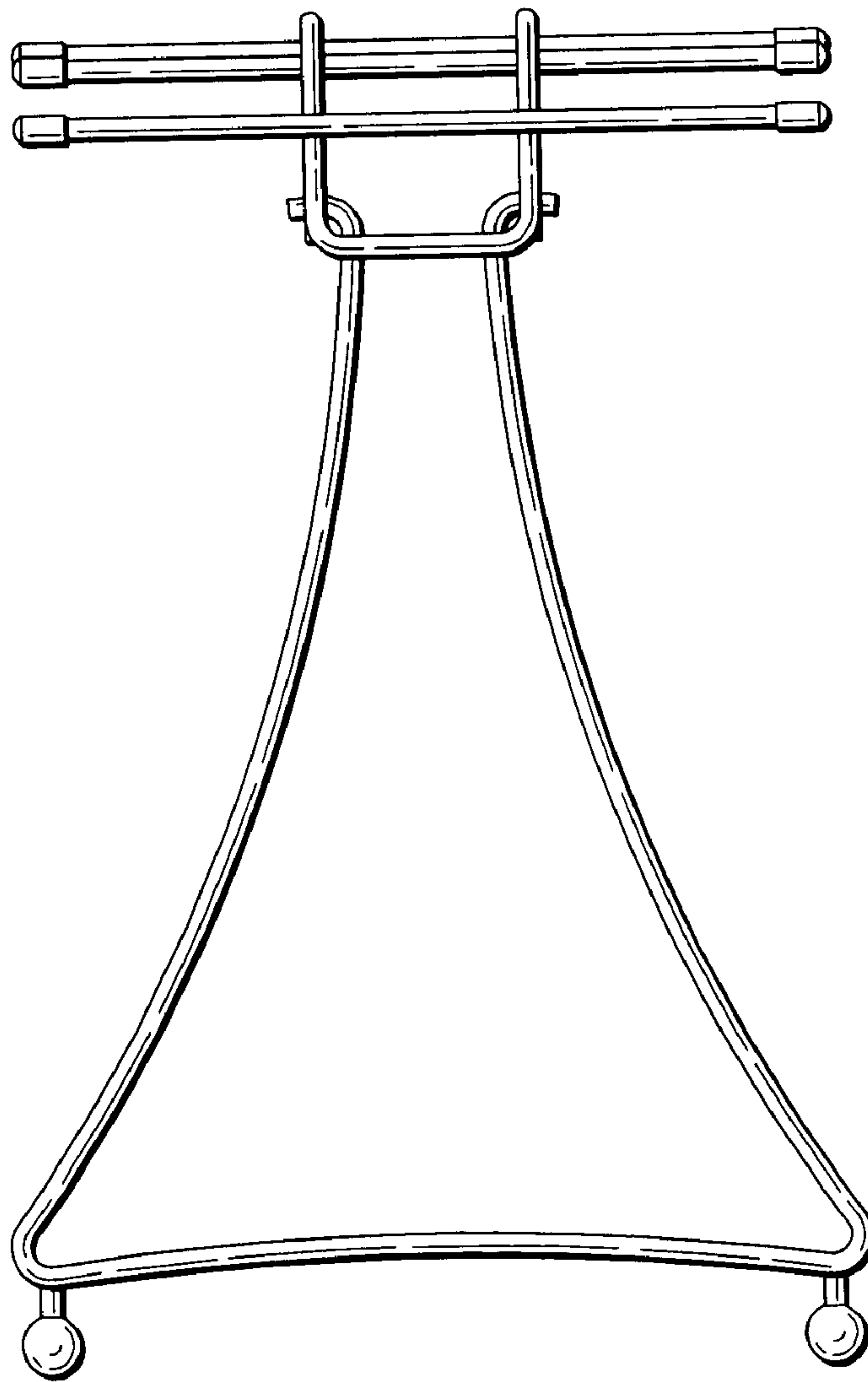


FIG. 4

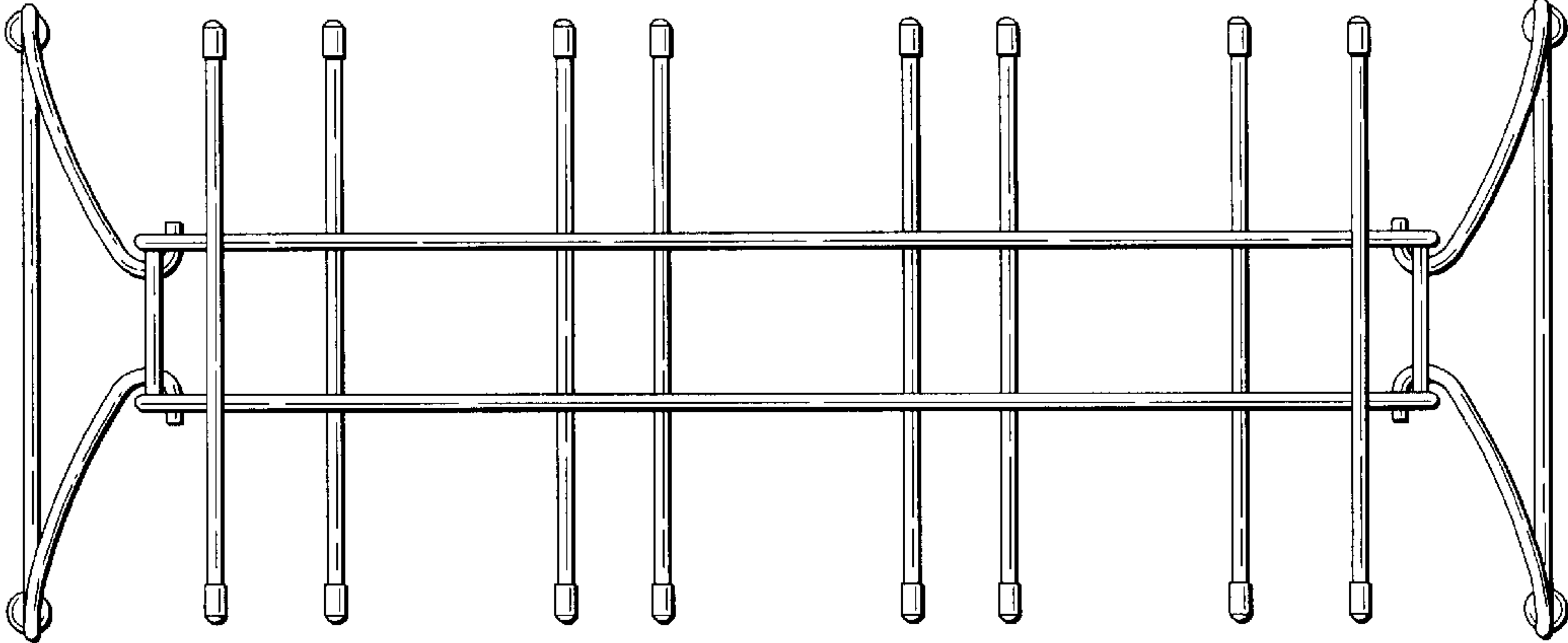


FIG. 5

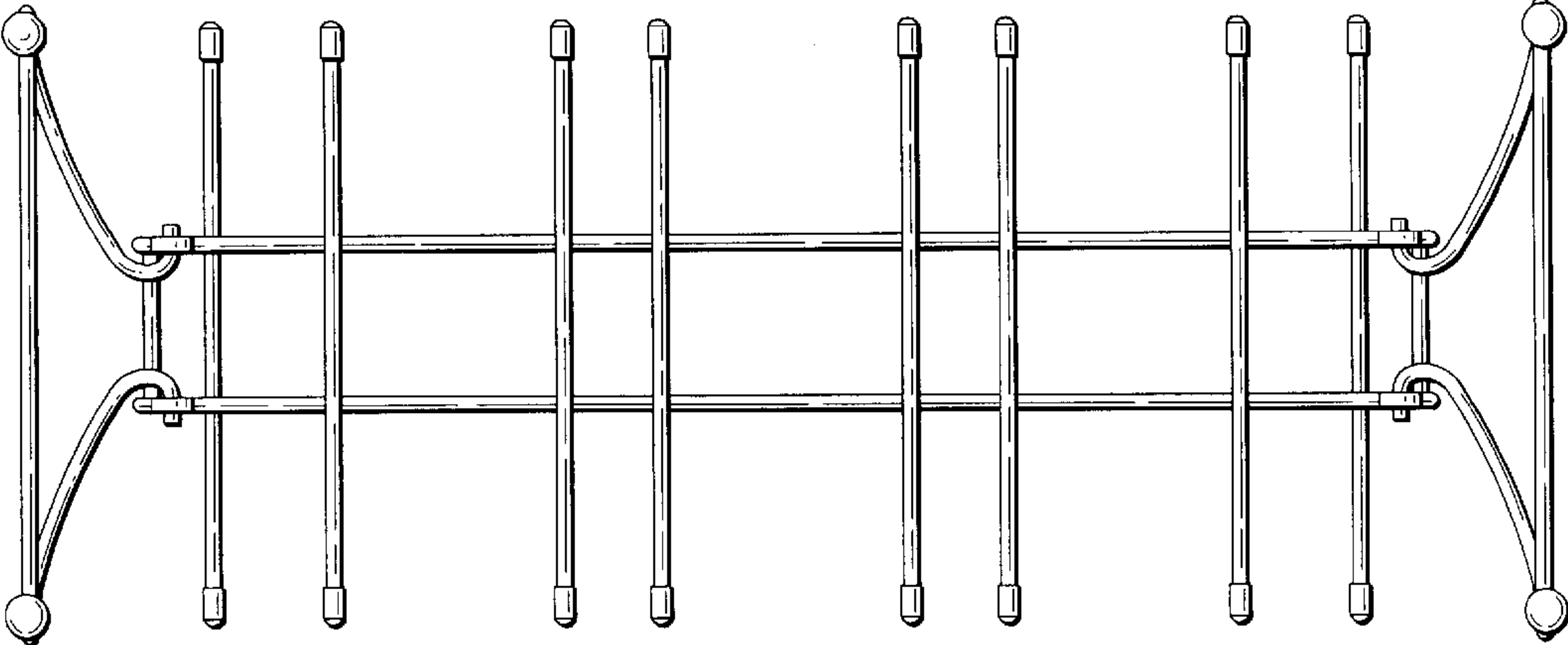


FIG. 6

