



US00D514350S

(12) **United States Design Patent**  
**Berry et al.**

(10) **Patent No.:** **US D514,350 S**  
(45) **Date of Patent:** **\*\* Feb. 7, 2006**

- (54) **BED**
- (75) Inventors: **Rick Berry**, Hickory, NC (US); **Dave Clark**, Charlotte, NC (US)
- (73) Assignee: **Bernhardt, L.L.C.**, Lenoir, NC (US)
- (\*\*) Term: **14 Years**
- (21) Appl. No.: **29/211,092**
- (22) Filed: **Aug. 11, 2004**
- (51) **LOC (8) Cl.** ..... **06-01**
- (52) **U.S. Cl.** ..... **D6/393**
- (58) **Field of Classification Search** ..... D6/382,  
D6/385, 388-395, 505-508; 5/53.1, 907,  
5/279.1, 280, 281, 2.1, 308  
See application file for complete search history.

- D374,562 S \* 10/1996 Mann et al. .... D6/393
- D450,198 S 11/2001 McDaniel et al. .... D6/393
- D477,722 S 7/2003 Berry et al. .... D6/393
- D485,696 S \* 1/2004 Risdon et al. .... D6/393

**OTHER PUBLICATIONS**

Spiegel, Spring/Summer 1996, p. 323, photocopy included.  
\* cited by examiner

*Primary Examiner*—Janice E. Seeger  
(74) *Attorney, Agent, or Firm*—MacCord Mason PLLC

(57) **CLAIM**

The ornamental design for a bed, as shown and described.

**DESCRIPTION**

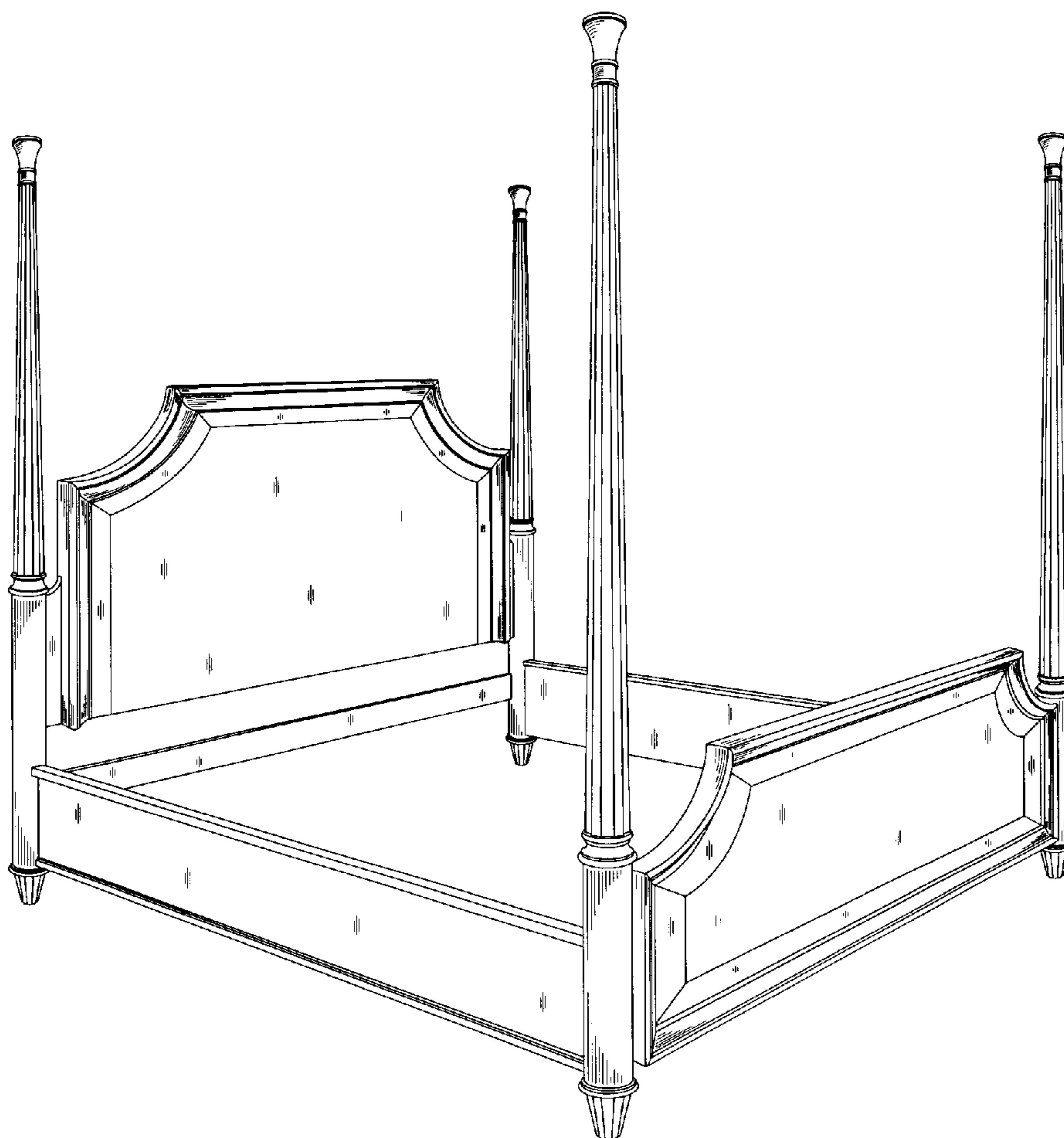
FIG. 1 is a front perspective view of a bed showing my new design;  
FIG. 2 is an end view taken from outside the footboard; and,  
FIG. 3 is a side view, the opposite side being a mirror image thereof.

(56) **References Cited**

**U.S. PATENT DOCUMENTS**

- D293,048 S \* 12/1987 Mann ..... D6/505
- D373,259 S 9/1996 Keller ..... D6/393

**1 Claim, 3 Drawing Sheets**



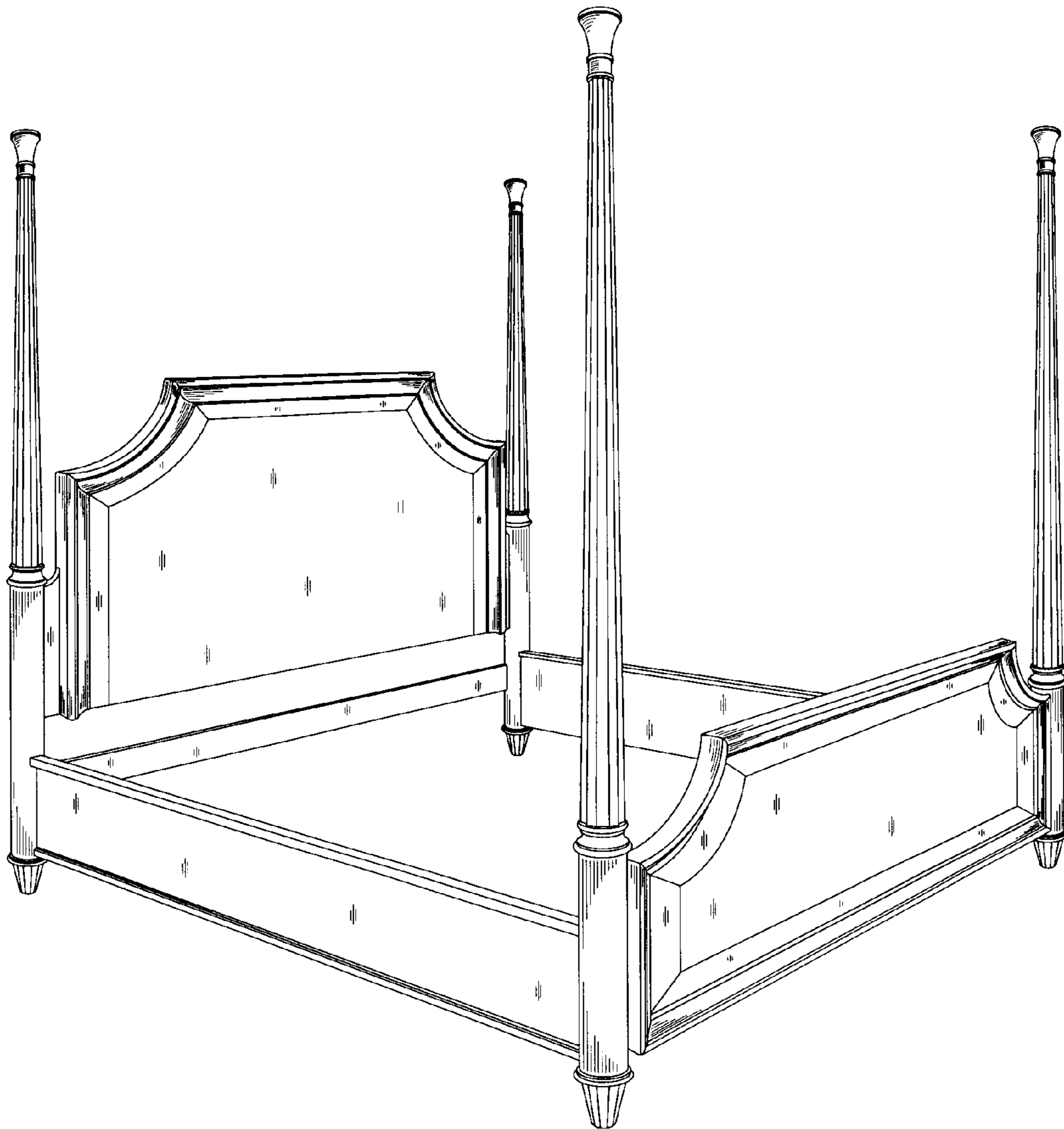


FIG. 1

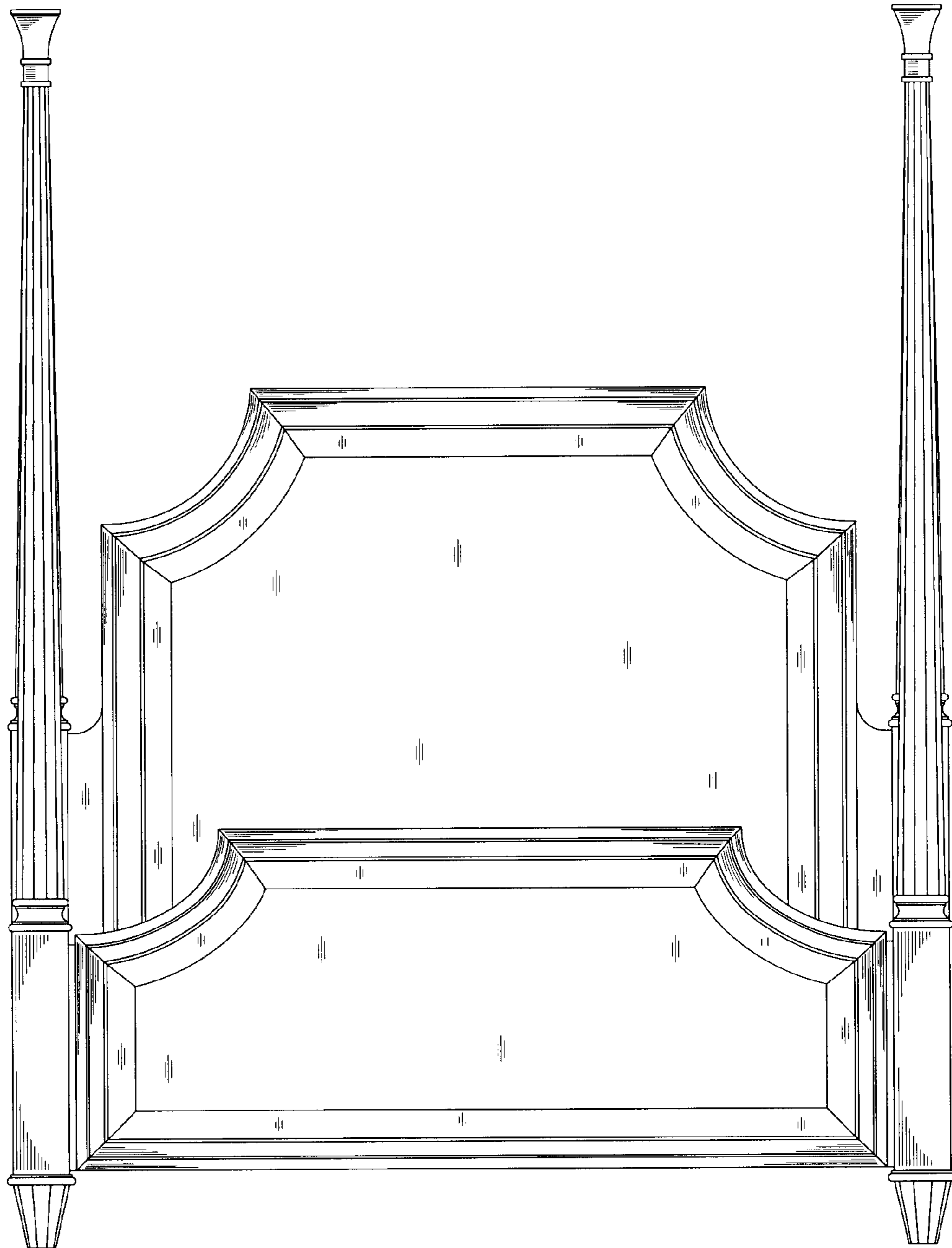


FIG. 2

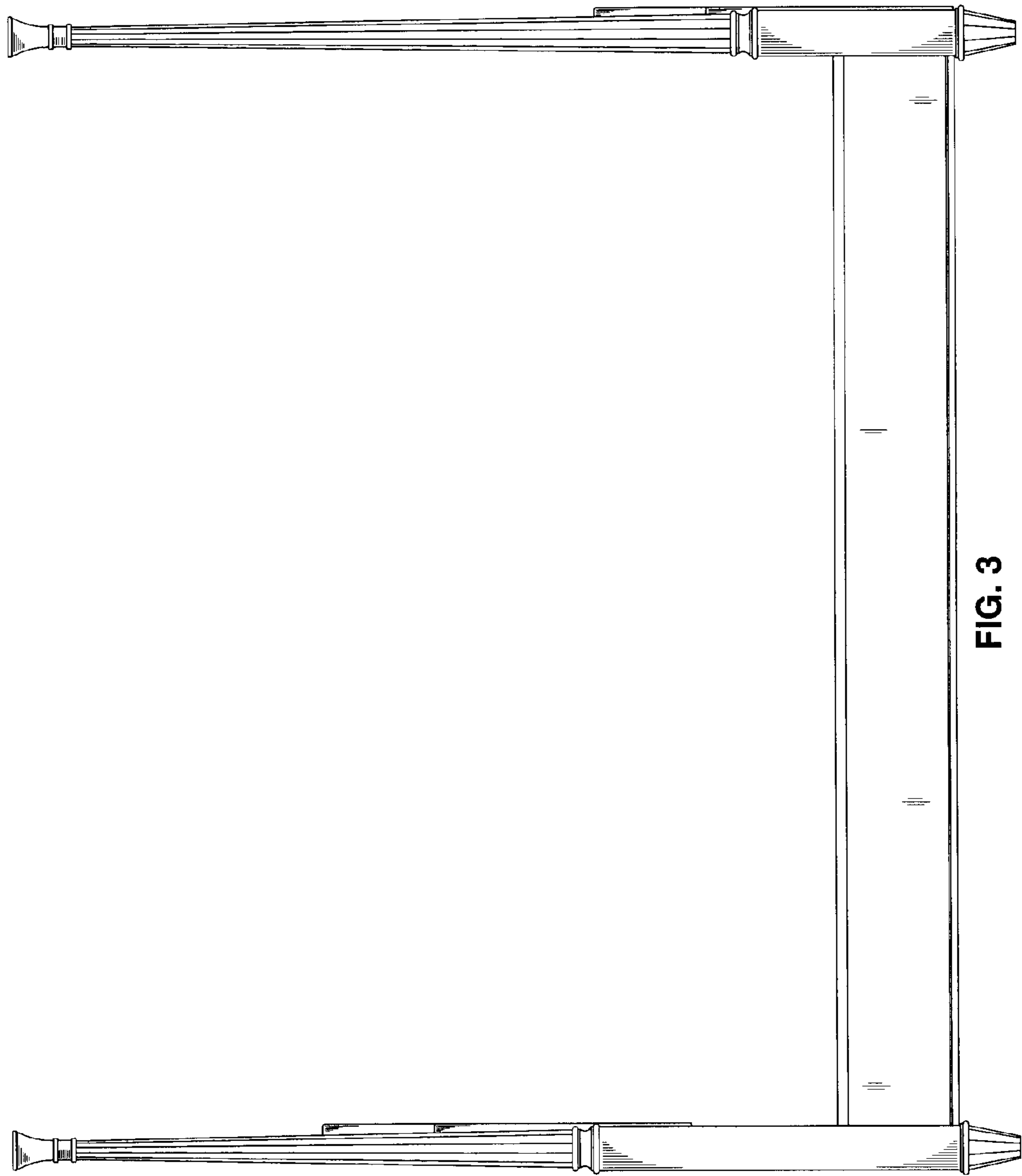


FIG. 3