



US00D514342S

(12) **United States Design Patent**
Lowsky

(10) **Patent No.:** **US D514,342 S**
(45) **Date of Patent:** **** Feb. 7, 2006**

(54) **CHAIR**

D489,543 S * 5/2004 Homestead D6/376

(75) Inventor: **Jamie Lowsky**, Aventura, FL (US)

OTHER PUBLICATIONS

(73) Assignee: **Pride Outdoor Products Group, Inc.**,
Ft. Lauderdale, FL (US)

Declaration of Steven M. Lowsky, signed Jan. 5, 2005.

(**) Term: **14 Years**

* cited by examiner

(21) Appl. No.: **29/211,580**

Primary Examiner—Caron D. Veynar

Assistant Examiner—Vy Nguyen

(22) Filed: **Aug. 18, 2004**

(74) *Attorney, Agent, or Firm*—Akerman Senterfitt

(51) **LOC (8) Cl.** **06-01**

(57) **CLAIM**

The ornamental design for a chair, as shown and described.

(52) **U.S. Cl.** **D6/369; D6/376; D6/375;**
D6/379

DESCRIPTION

(58) **Field of Classification Search** D6/334–336,
D6/371–374, 376, 379, 380, 500–502; 297/445.1,
297/446.1, 447.1, 448.2
See application file for complete search history.

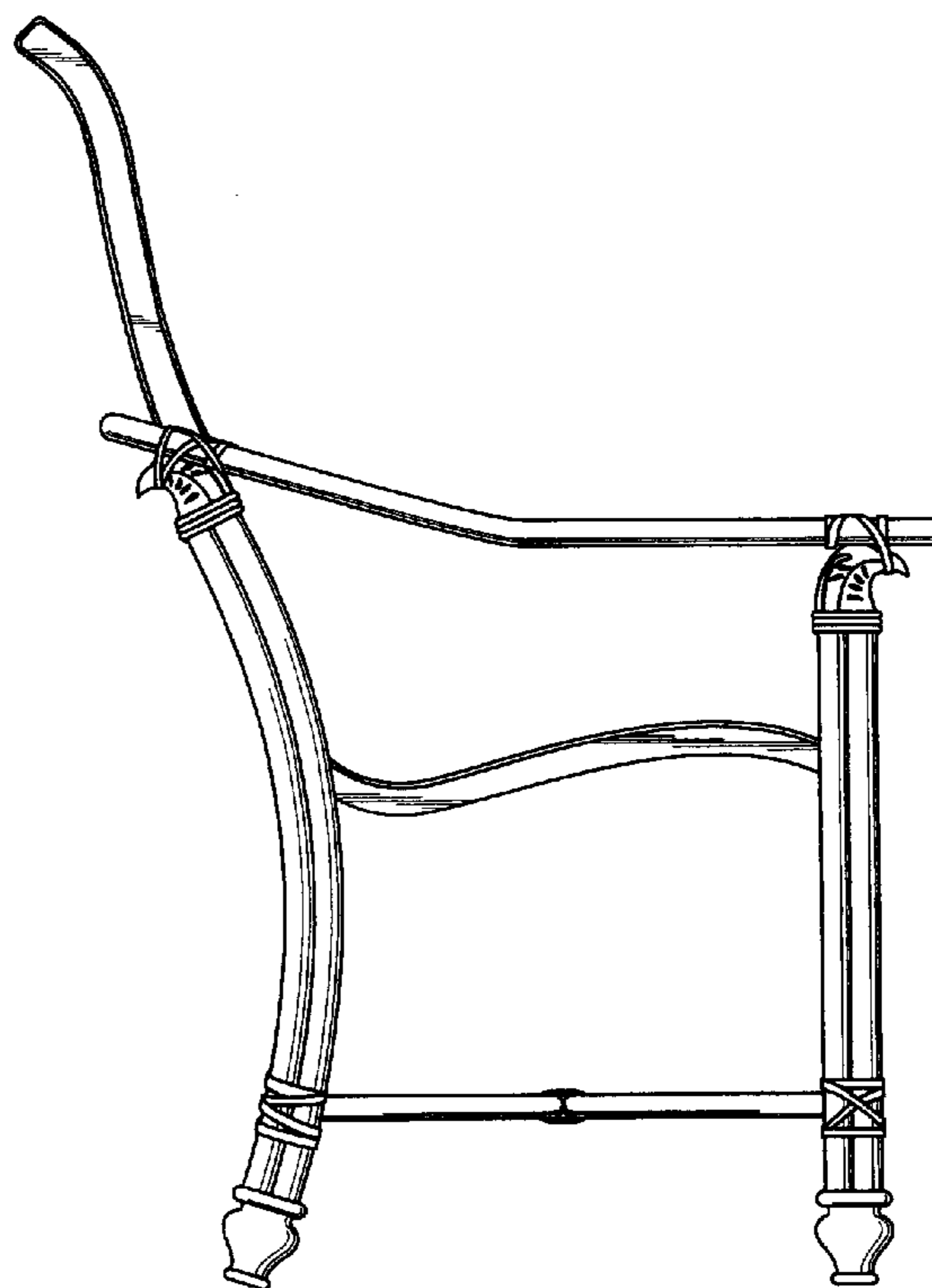
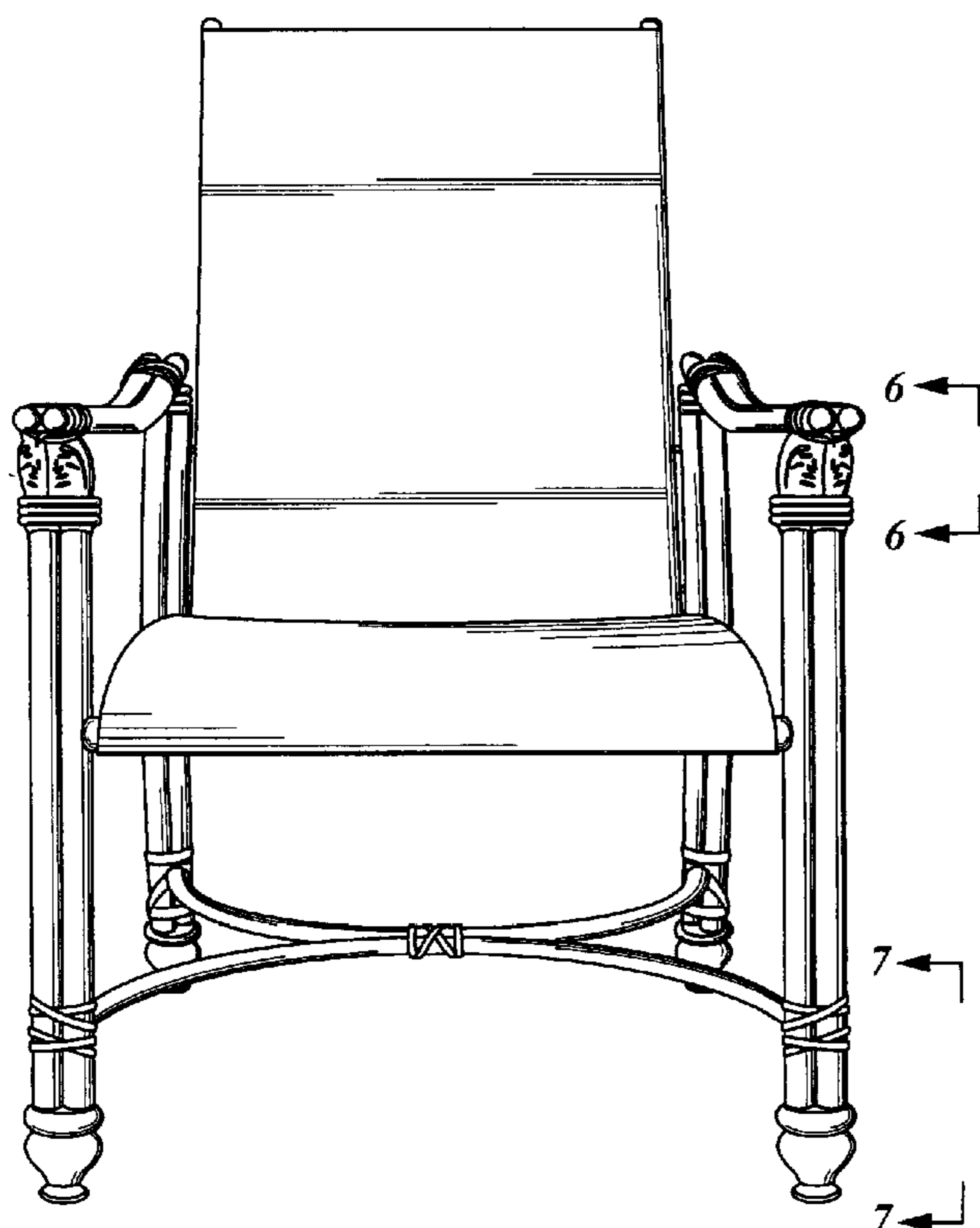
FIG. 1 is a perspective view of my new design;
FIG. 2 is a rear elevation view;
FIG. 3 is a top elevation view;
FIG. 4 is a rear elevation view;
FIG. 5 is a side elevation view;
FIG. 6 is an elevated perspective view of a portion of detail
6 from the side;
FIG. 7 is an elevated perspective view of a portion of detail
7 from the front; and,
FIG. 8 is an elevated perspective view of a portion of detail
8.

(56) **References Cited**

U.S. PATENT DOCUMENTS

- D335,969 S * 6/1993 Hess D6/373
- D343,964 S * 2/1994 Gibbs D6/374
- D378,253 S * 3/1997 Frnier D6/375
- D429,424 S * 8/2000 Vanderminden, Sr. D6/379
- D442,383 S * 5/2001 Bell D6/375
- D452,082 S * 12/2001 Pluer D6/375

1 Claim, 8 Drawing Sheets



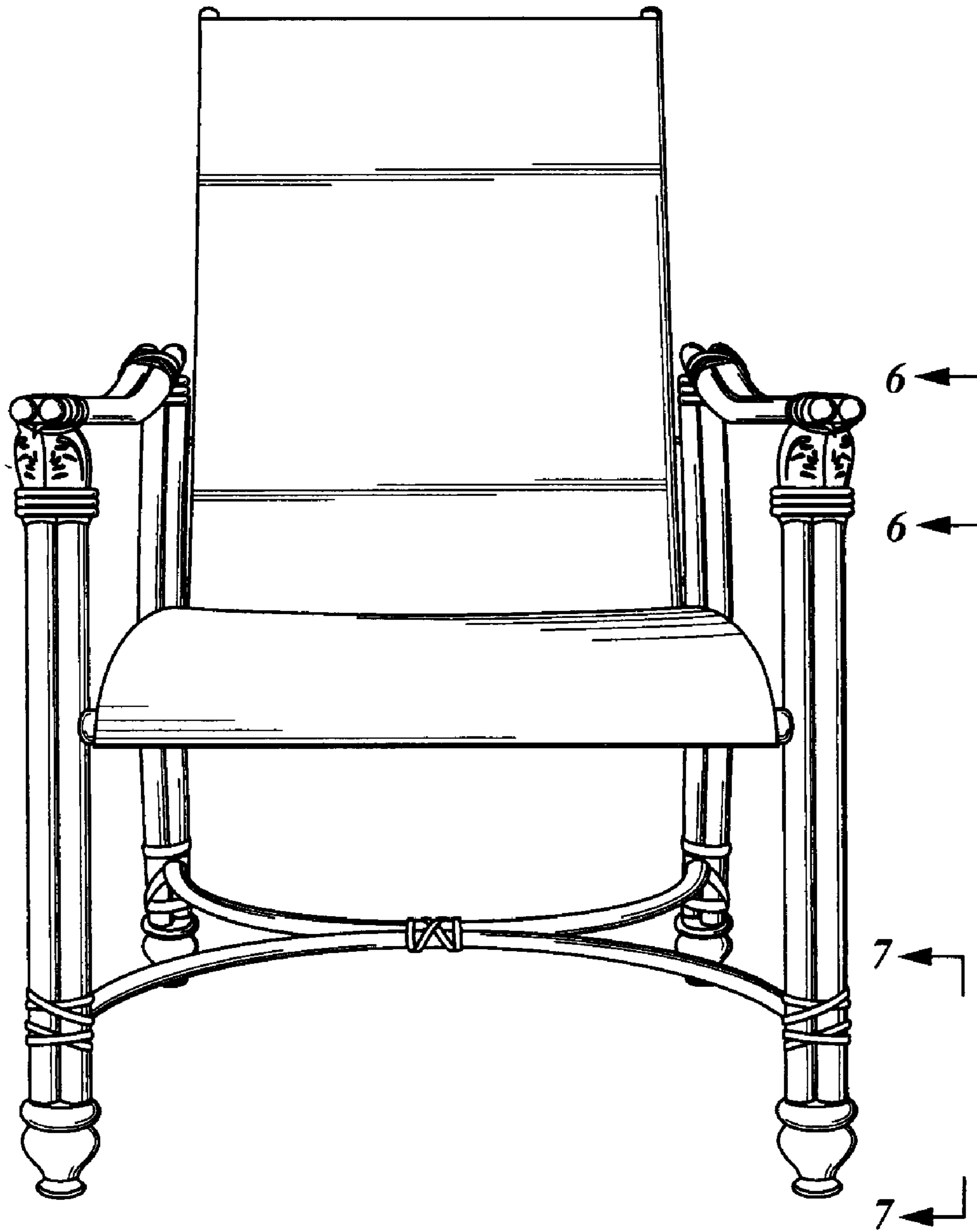


FIG. 1

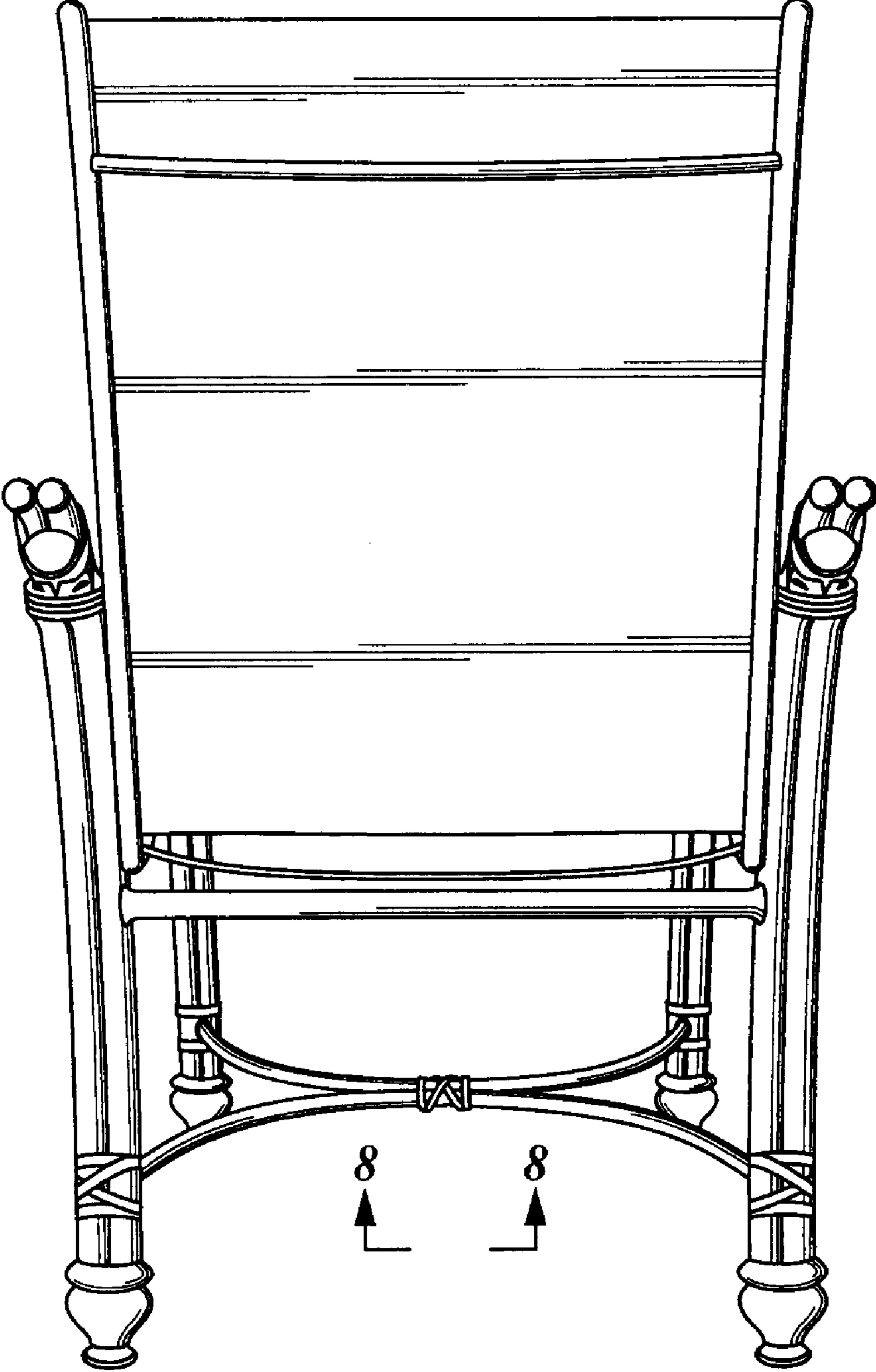


FIG. 2

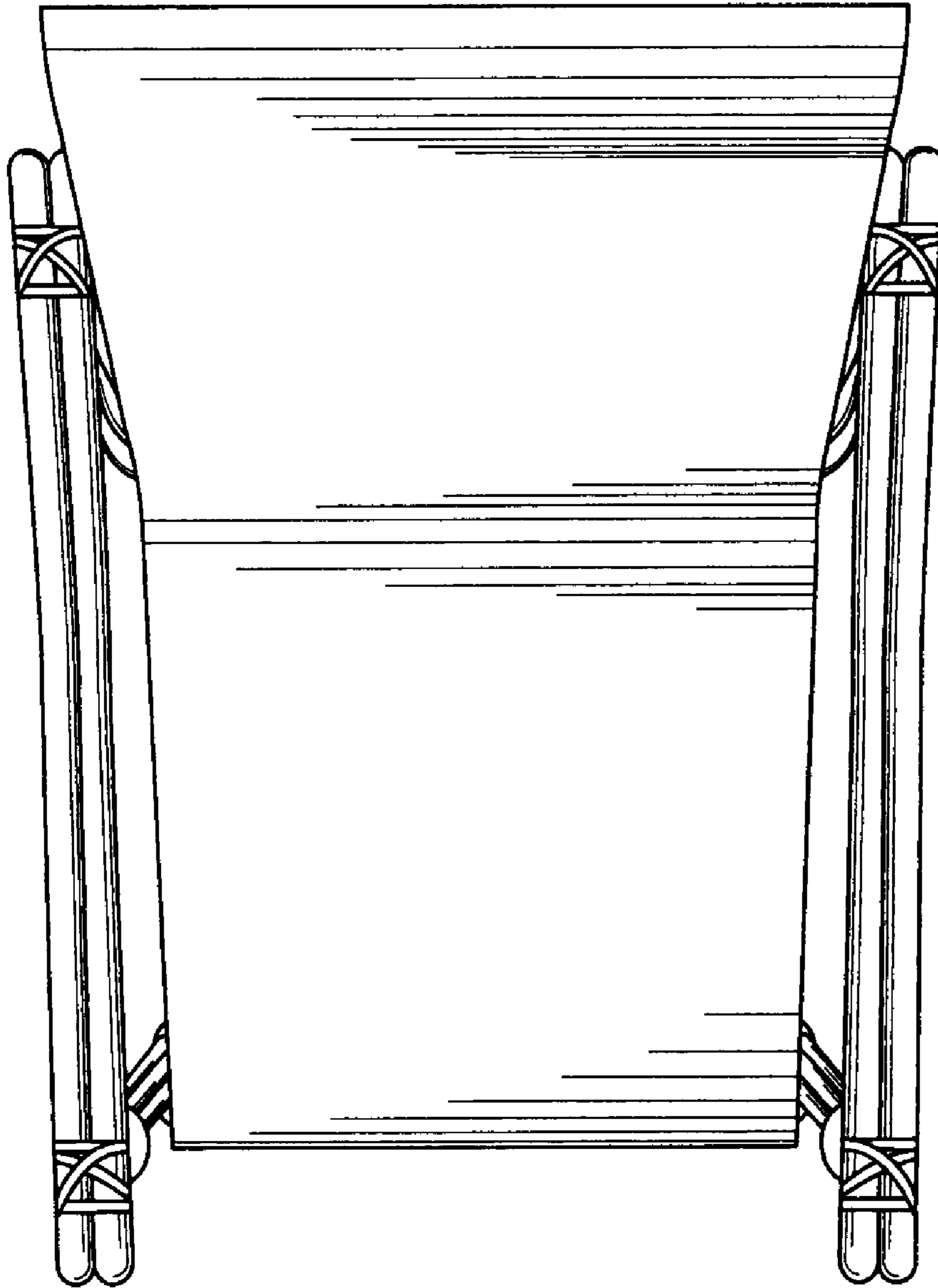


FIG. 3

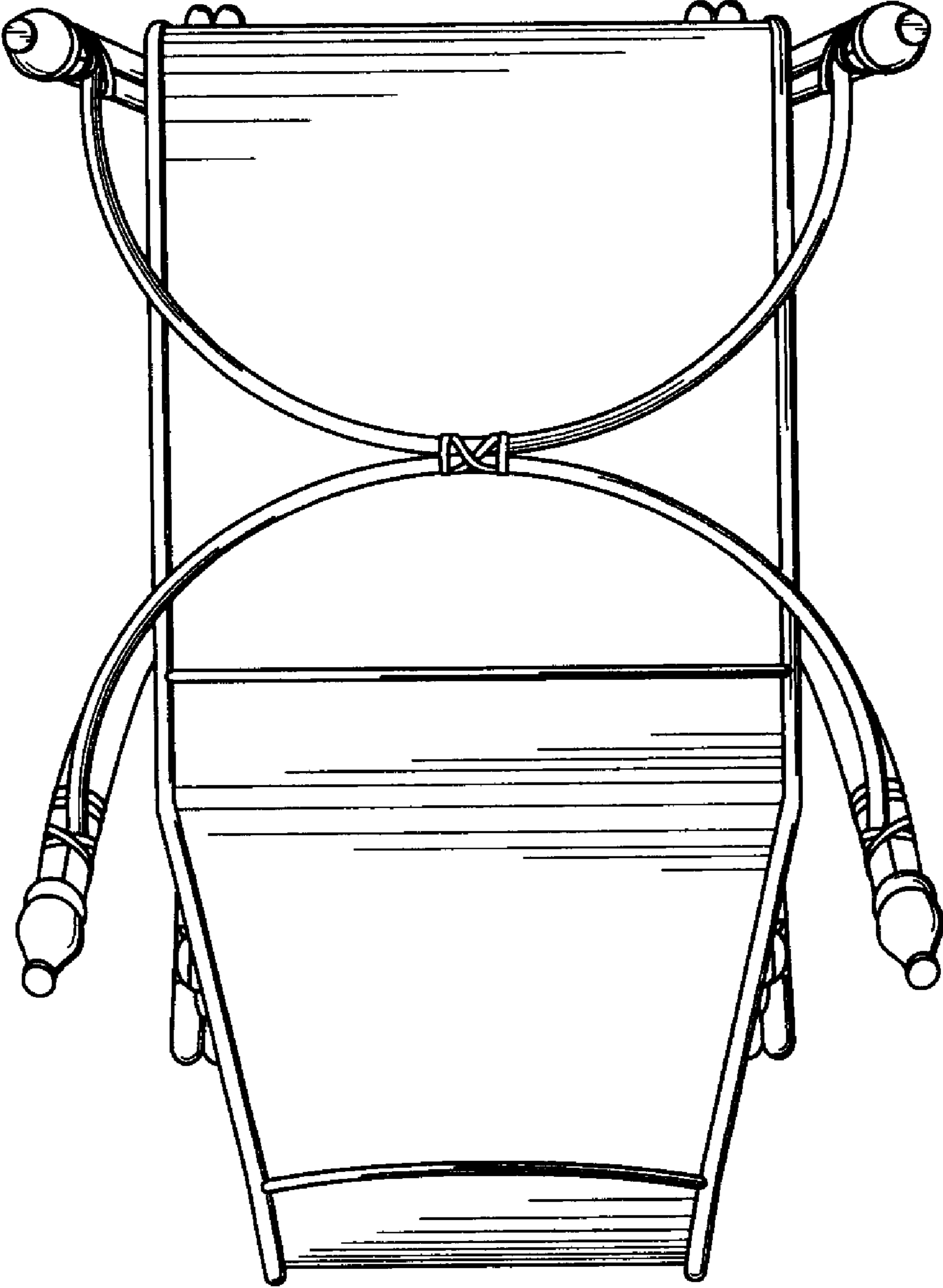


FIG. 4

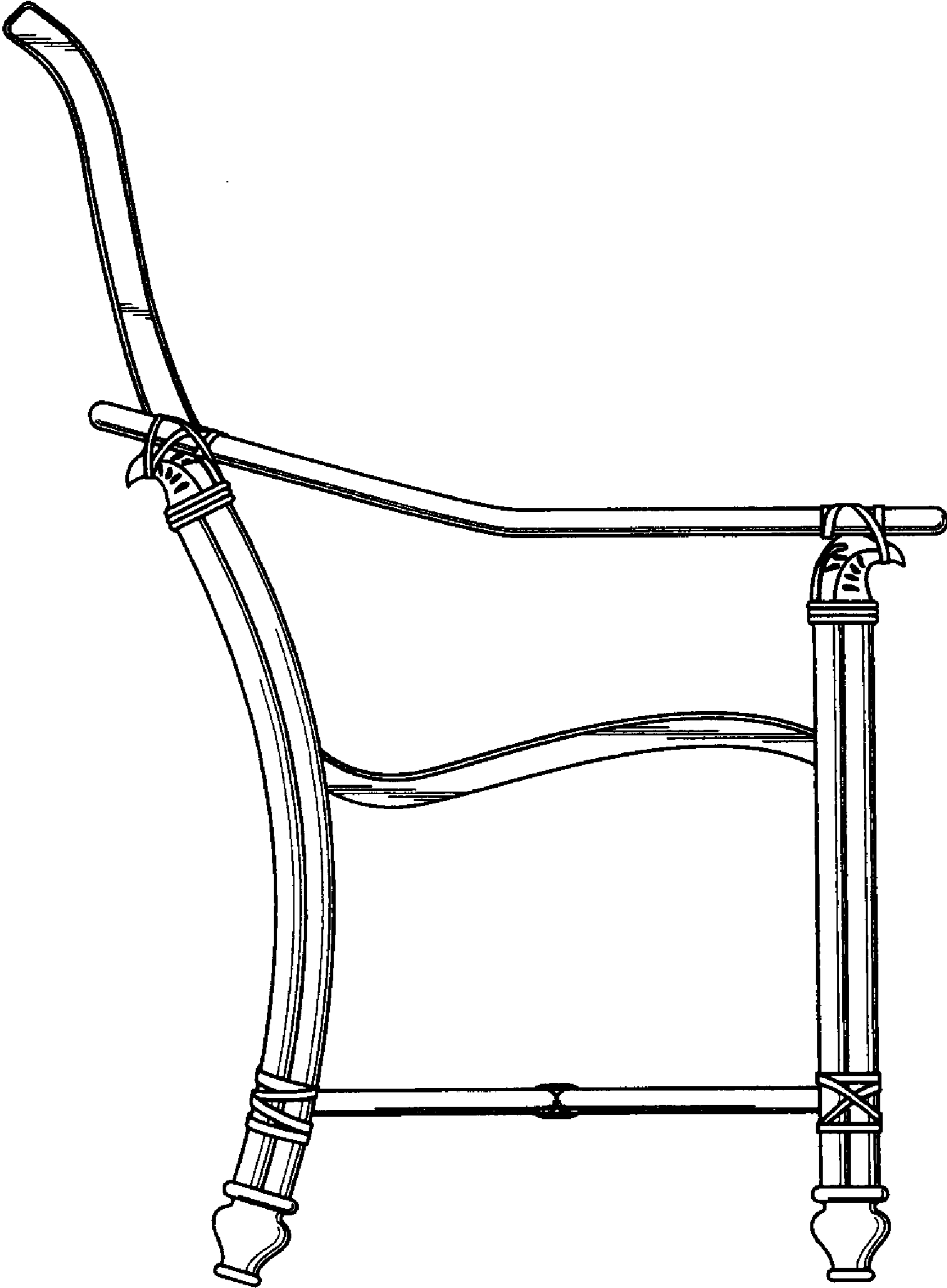


FIG. 5

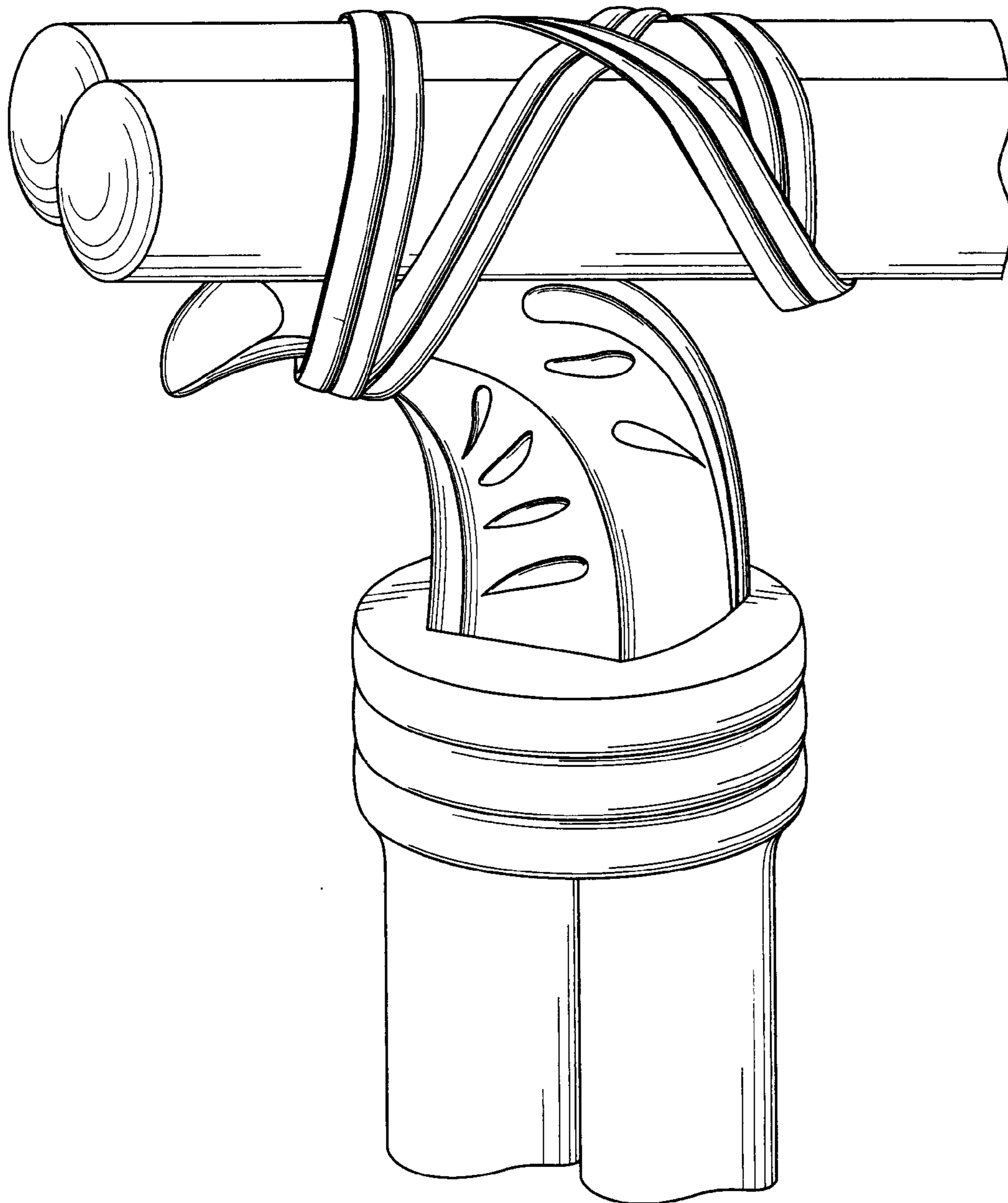


FIG. 6

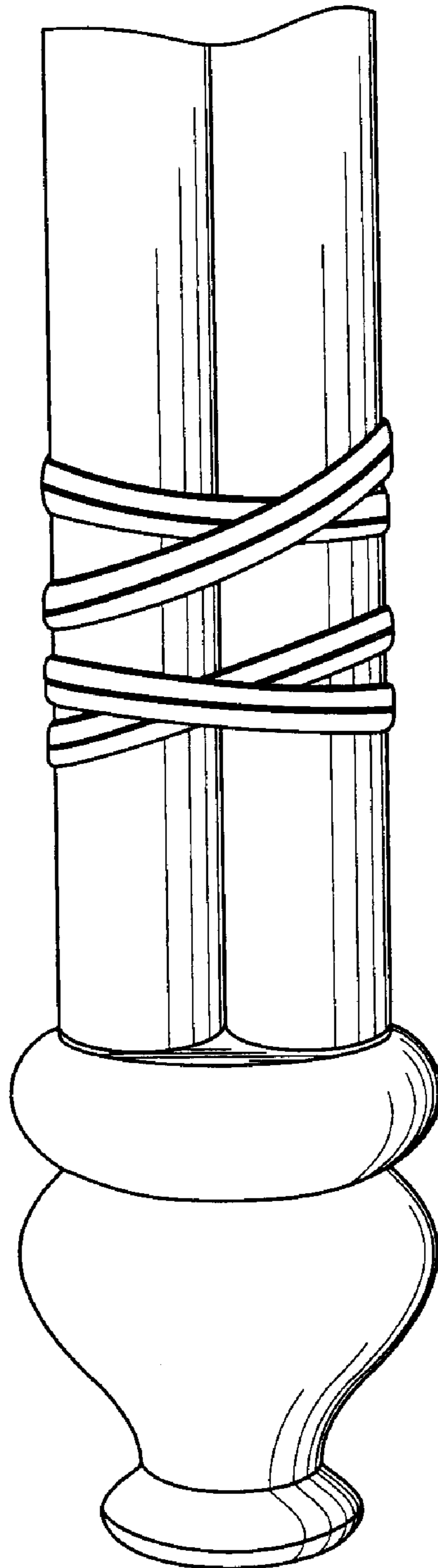


FIG. 7

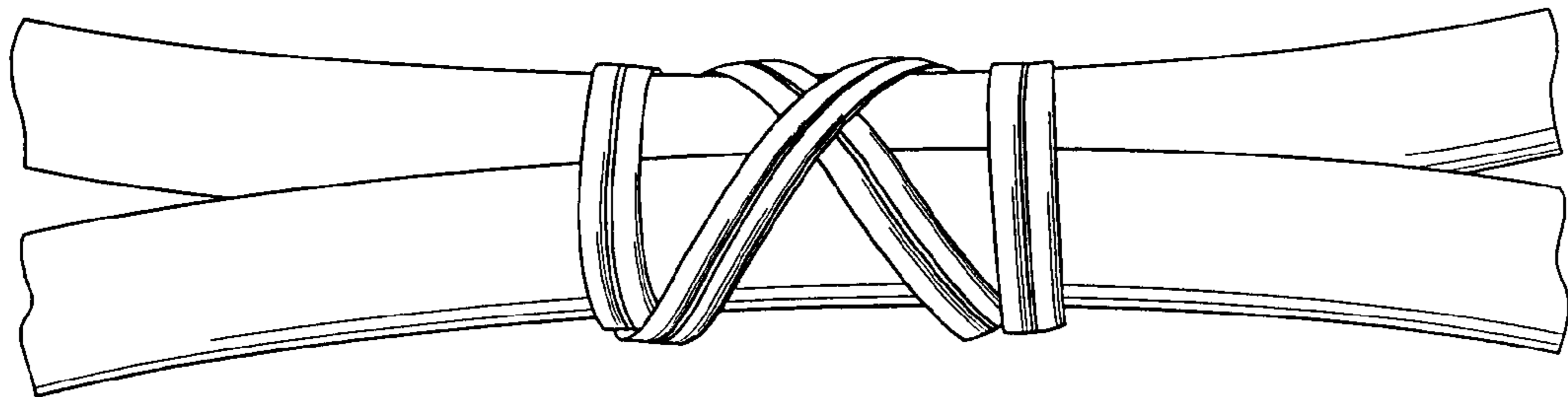


FIG. 8