



US00D514340S

(12) **United States Design Patent**
Frey

(10) **Patent No.:** **US D514,340 S**
(45) **Date of Patent:** **** Feb. 7, 2006**

(54) **LOUNGE CHAIR**

(76) **Inventor:** **Christian Frey**, Hopfenstrasse 11,
Zurich (CH), CH-8045

(**) **Term:** **14 Years**

(21) **Appl. No.:** **29/219,589**

(22) **Filed:** **Dec. 20, 2004**

(51) **LOC (8) Cl.** **06-01**

(52) **U.S. Cl.** **D6/368; D6/374**

(58) **Field of Classification Search** D6/334,
D6/335, 368, 371, 373, 374, 375, 500-502;
297/440.1, 440.13, 440.14

See application file for complete search history.

(56) **References Cited**

U.S. PATENT DOCUMENTS

2,776,700	A	*	1/1957	Potter et al.	297/440.13
D221,425	S	*	8/1971	Pasakarnis	D6/371
D247,596	S	*	3/1978	Hashimoto	D6/371
4,225,180	A	*	9/1980	Gillis	297/440.13
4,712,837	A	*	12/1987	Swilley	297/440.13
5,992,938	A	*	11/1999	Jones	297/440.13

6,036,270	A	*	3/2000	Bufalini	297/440.1
D422,803	S	*	4/2000	Bufalini	D6/368
6,568,058	B1	*	5/2003	Wieland et al.	297/440.14
6,619,749	B2	*	9/2003	Willy	297/440.13
D493,971	S	*	8/2004	Willy	D6/368
2003/0107255	A1	*	6/2003	Willy	297/440.13
2004/0056526	A1	*	3/2004	Willy	297/440.13

* cited by examiner

Primary Examiner—Mimosa De

(57) **CLAIM**

The ornamental design for a lounge chair, as shown.

DESCRIPTION

FIG. 1 is a top front perspective view of a lounge chair showing my new design;

FIG. 2 is a front view thereof;

FIG. 3 is a rear view thereof;

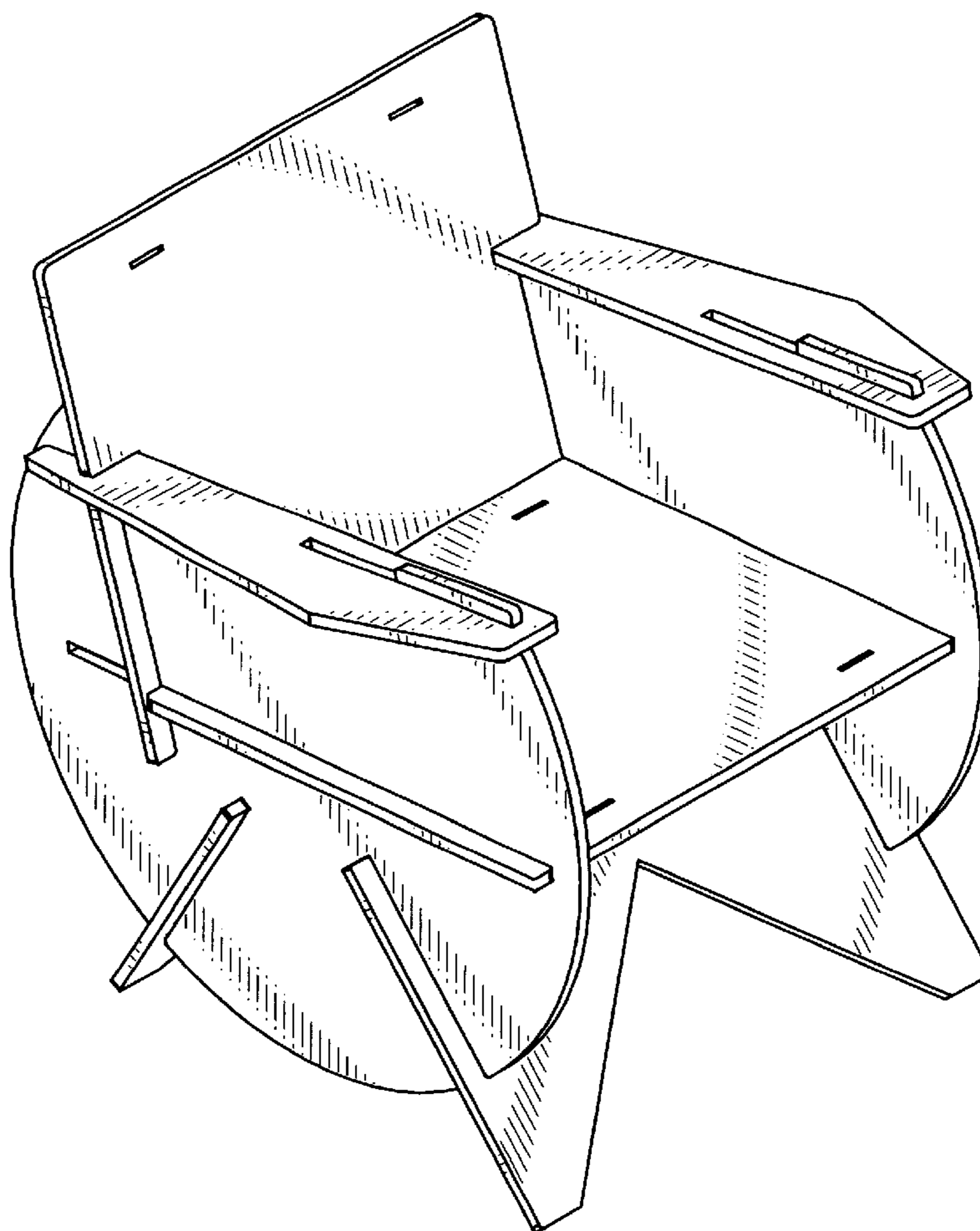
FIG. 4 is a right side view thereof;

FIG. 5 is a left side view thereof;

FIG. 6 is a top view thereof; and,

FIG. 7 is a bottom view thereof.

1 Claim, 7 Drawing Sheets



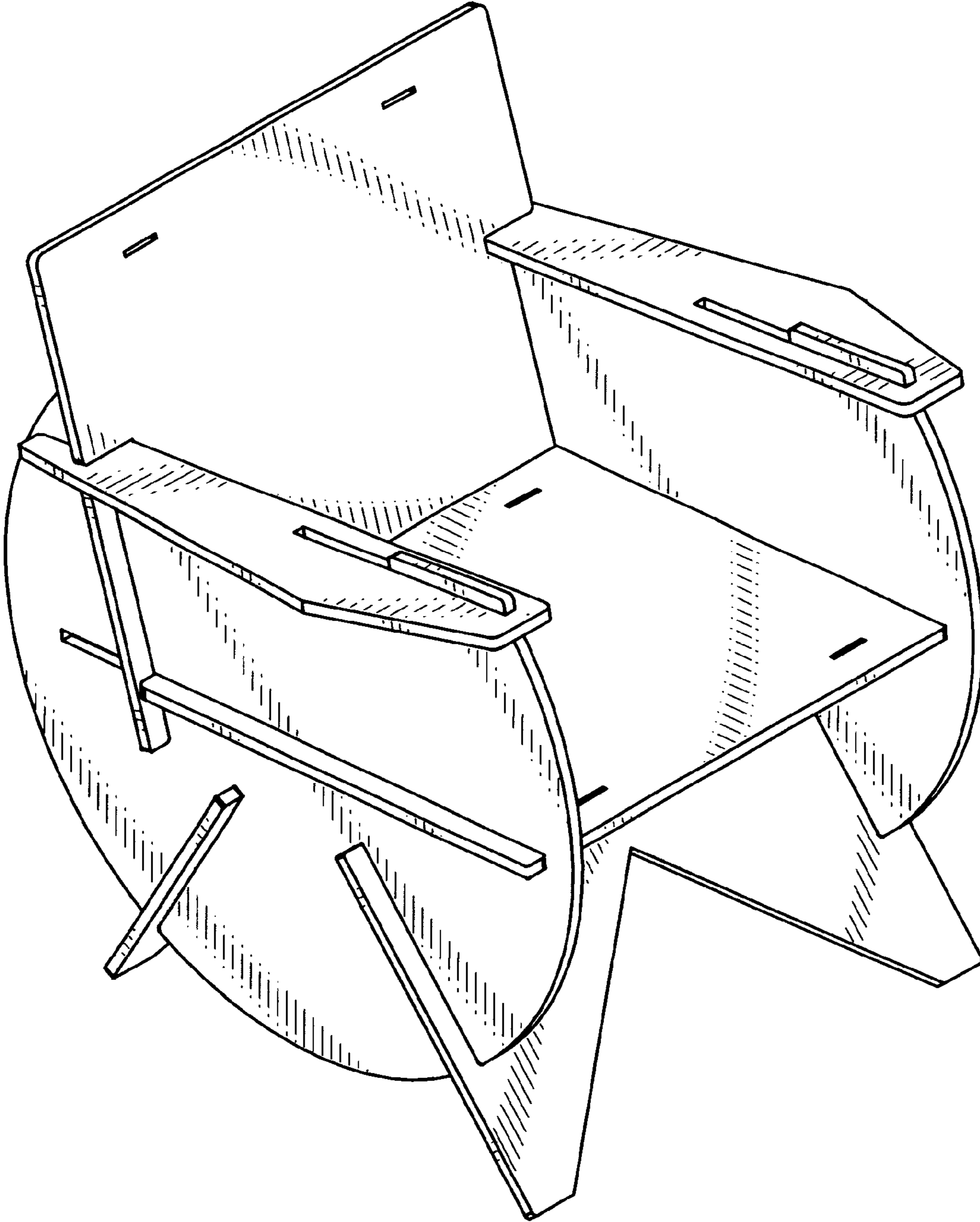


FIG. 1

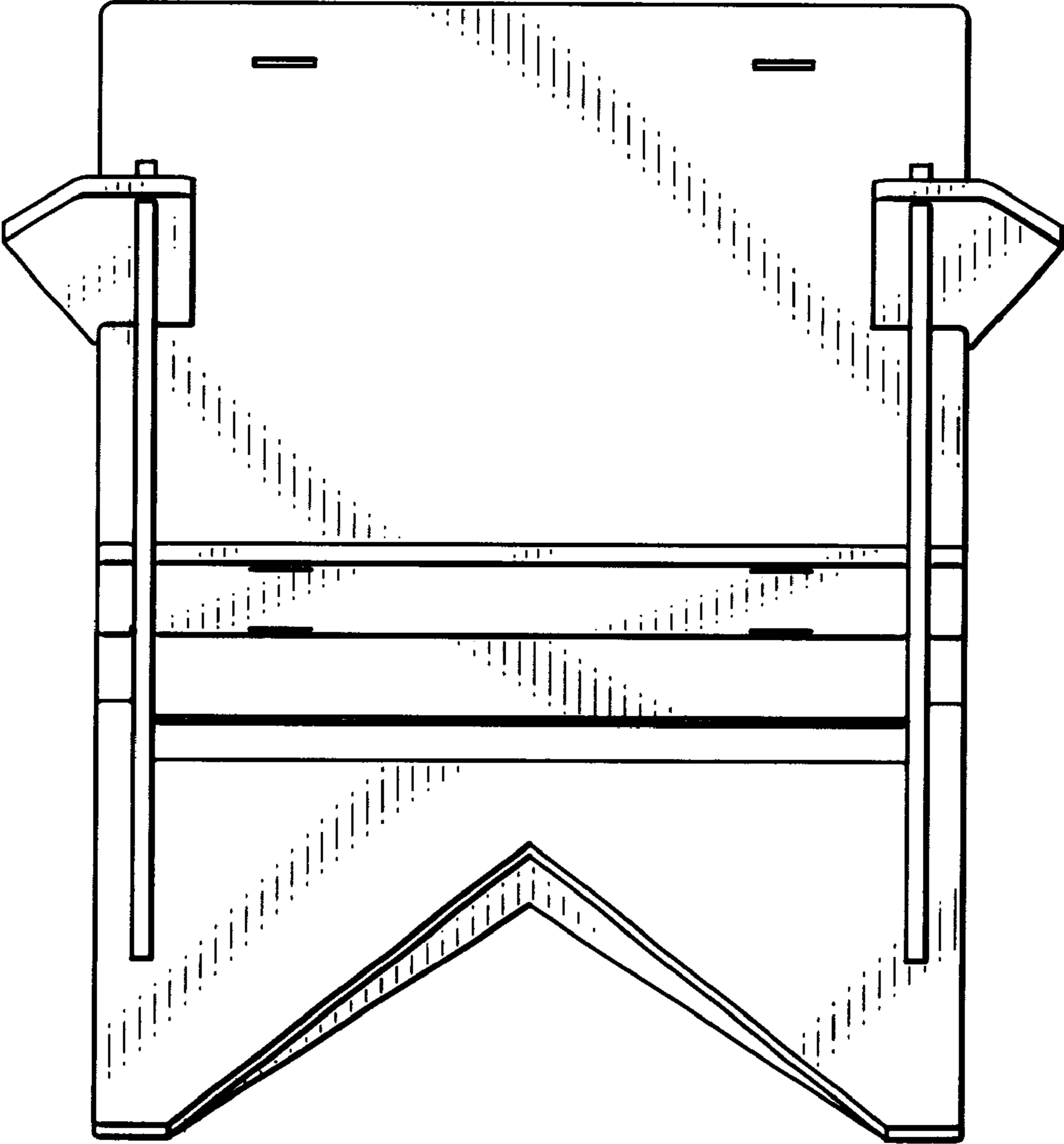


FIG. 2

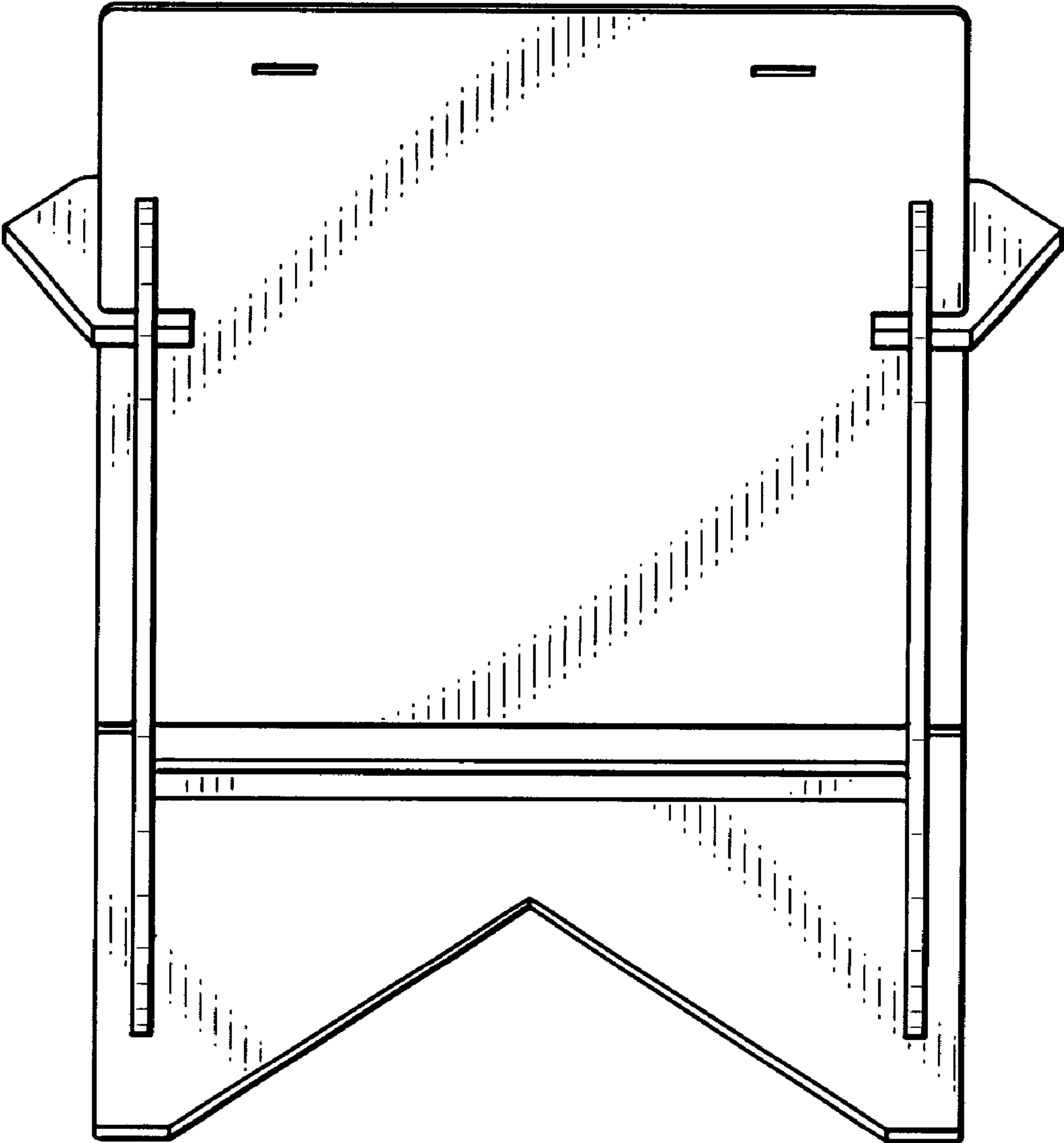


FIG. 3

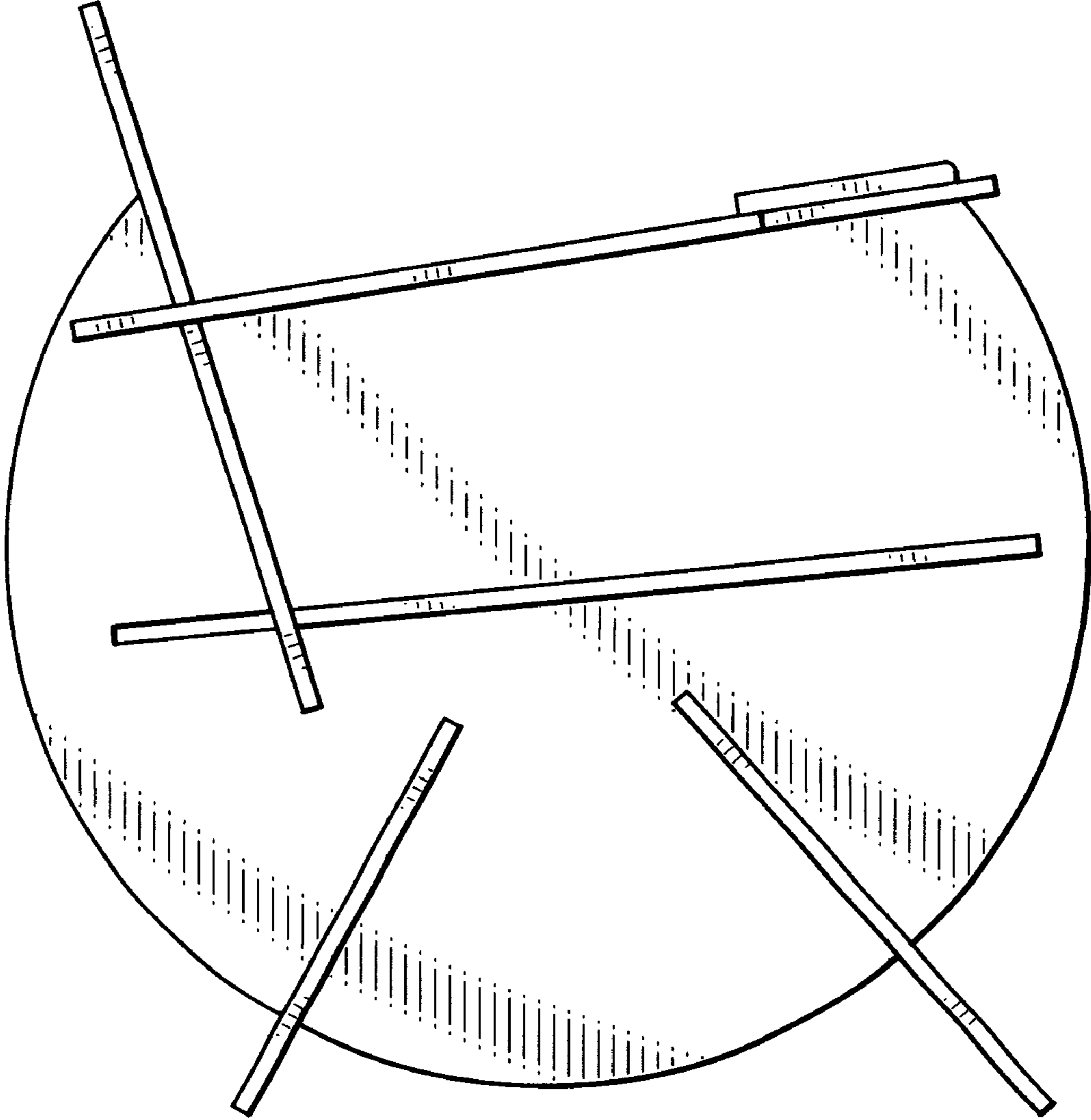


FIG. 4

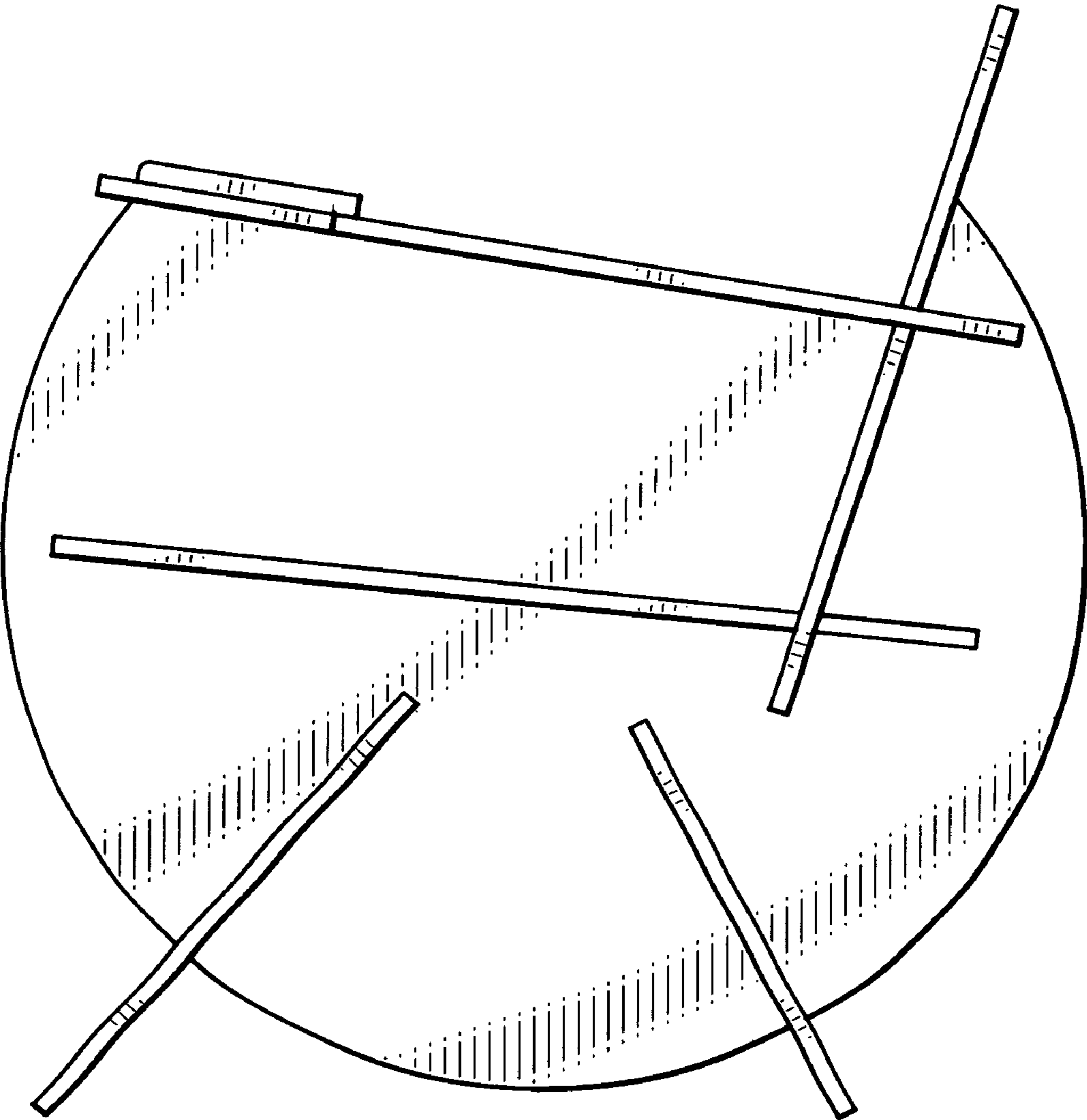


FIG. 5

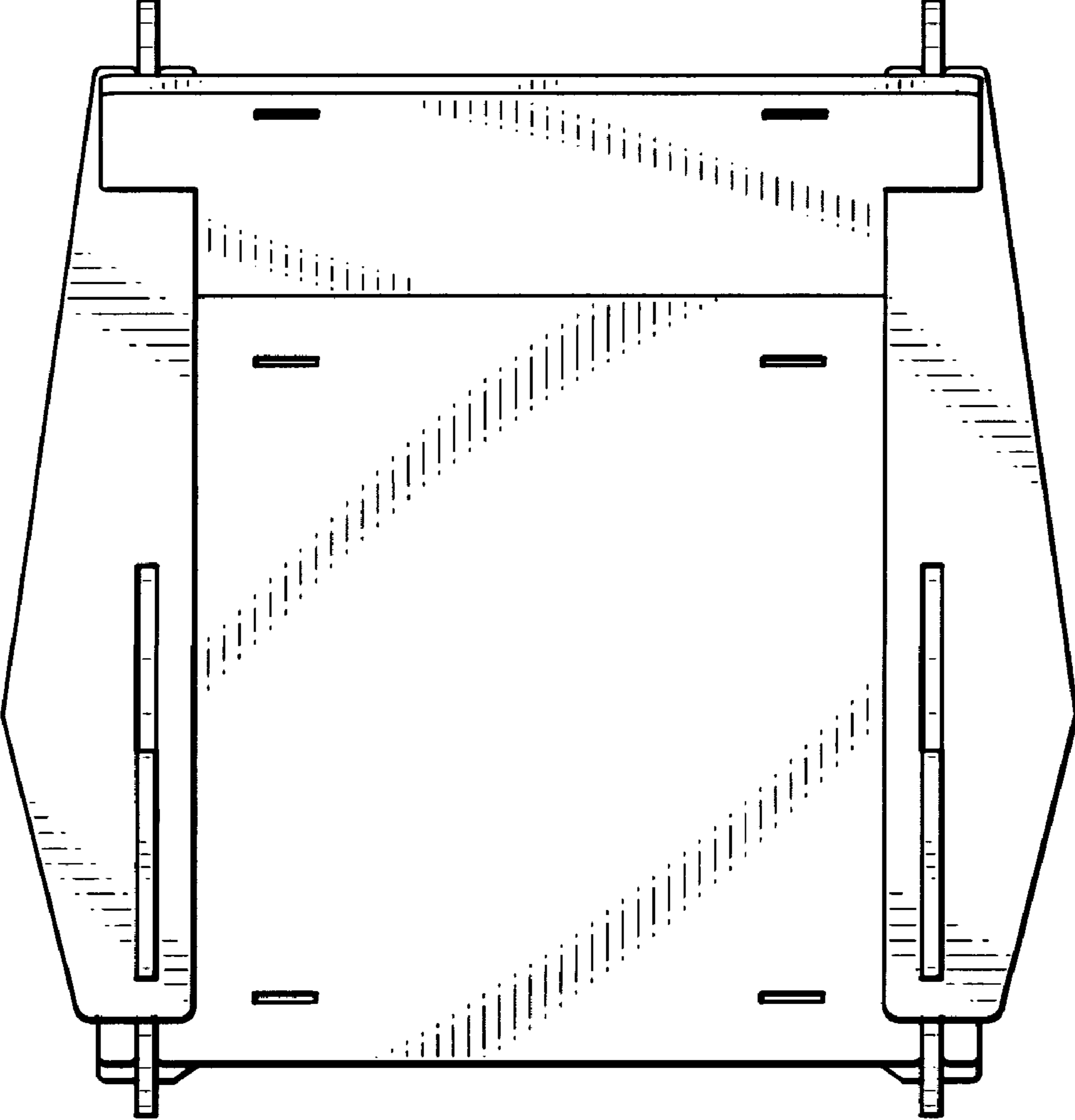


FIG. 6

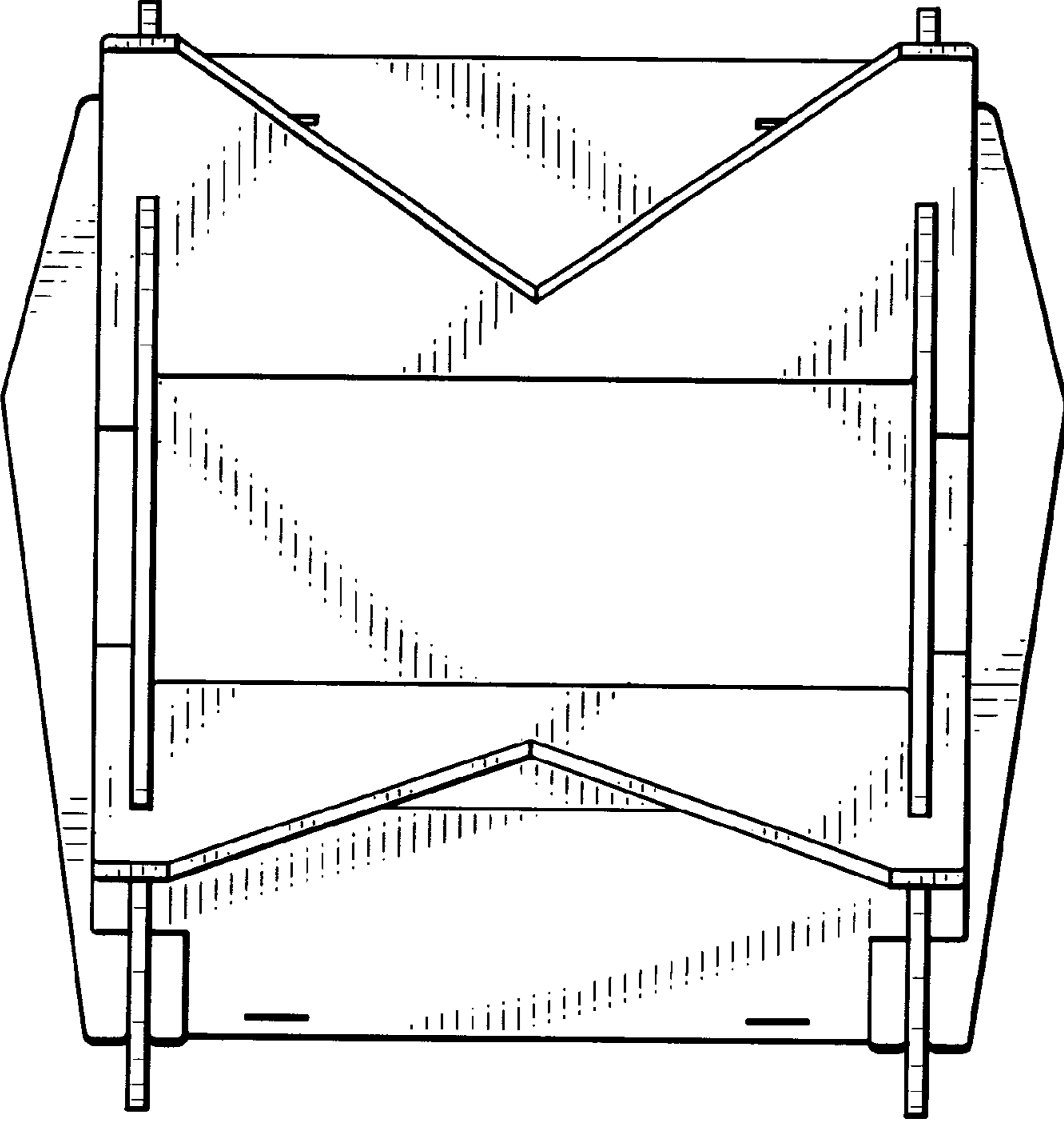


FIG. 7