



US00D514339S

(12) **United States Design Patent** (10) **Patent No.:** **US D514,339 S**
Glass et al. (45) **Date of Patent:** **** Feb. 7, 2006**

(54) **TASK CHAIR**
(75) Inventors: **Peter Glass**, Arroyo Grande, CA (US);
Robert J. Mills, Torrance, CA (US)
(73) Assignee: **Virco Mgmt. Corporation**, Torrance,
CA (US)
(**) Term: **14 Years**

D218,159 S 7/1970 Harlang et al.
D218,419 S 8/1970 Nightingale
D220,388 S 4/1971 Kramer
D227,057 S 6/1973 Buhk
D227,953 S 7/1973 Prizlow
D228,536 S 10/1973 Sottsass, Jr.
D230,443 S 2/1974 Klose
D232,398 S 8/1974 Sottsass, Jr.
D233,638 S 11/1974 Offrendi
D233,710 S 11/1974 Fantoni
D233,711 S 11/1974 Fantoni
D233,712 S 11/1974 Koepke

(21) Appl. No.: **29/212,061**
(22) Filed: **Aug. 26, 2004**

(Continued)

(51) **LOC (8) Cl.** **06-01**
(52) **U.S. Cl.** **D6/366; D6/375**
(58) **Field of Classification Search** D6/334,
D6/335, 360, 364-367, 374, 375, 498, 500-502;
297/344.12, 411.2, 423.38, 445.1, 452.12,
297/452.2

See application file for complete search history.

(56) **References Cited**

U.S. PATENT DOCUMENTS

D76,863 S 11/1928 Ferris
D104,154 S 4/1937 Andersen
D108,940 S 3/1938 Gabb
D123,831 S 12/1940 Brainard
D127,977 S 7/1941 Shepherd
D140,464 S 2/1945 Jones
D140,478 S 2/1945 Jones
D165,322 S 12/1951 Burdick
D166,192 S 3/1952 Hamilton
2,745,468 A * 5/1956 Kramer 297/452.12
D185,851 S 8/1959 Christenson et al.
D188,656 S 8/1960 Wagner
D192,419 S 3/1962 Sullivan
D192,635 S 4/1962 Anderson
D194,458 S 1/1963 Pearson
D195,533 S 6/1963 Isola
D195,770 S 7/1963 Isola
D197,643 S 3/1964 Kramer
3,201,172 A * 8/1965 Bliss 297/448.1
D202,549 S * 10/1965 Kramer D6/375
D202,550 S * 10/1965 Kramer D6/375
D211,461 S 6/1968 Walkinshaw

OTHER PUBLICATIONS

Virco Furniture Solutions 2004 General Catalog, pp. 18, 19,
and 20, model nos. 4500, 4501, 266017GC, 3860GC,
2260PGC, and 9260PGC, Oct. 2003.
Artco-Bell Corporation Furniture to Enhance Education
catalog, p. 18 model no. QP90, undated.
Royal Seating, Ltd. Total Furniture Solutions catalog, pp. 7,
10, 11, and 12, model nos. 6514U, 7741, 8771, 3616, and
3613, undated.
Scholar Craft School Furniture catalog, pp. 29 and 30, model
nos. 190, and 110, undated.

Primary Examiner—Mimosa De
(74) *Attorney, Agent, or Firm*—Robert M. Hupe; Virco
Mgmt. Corporation

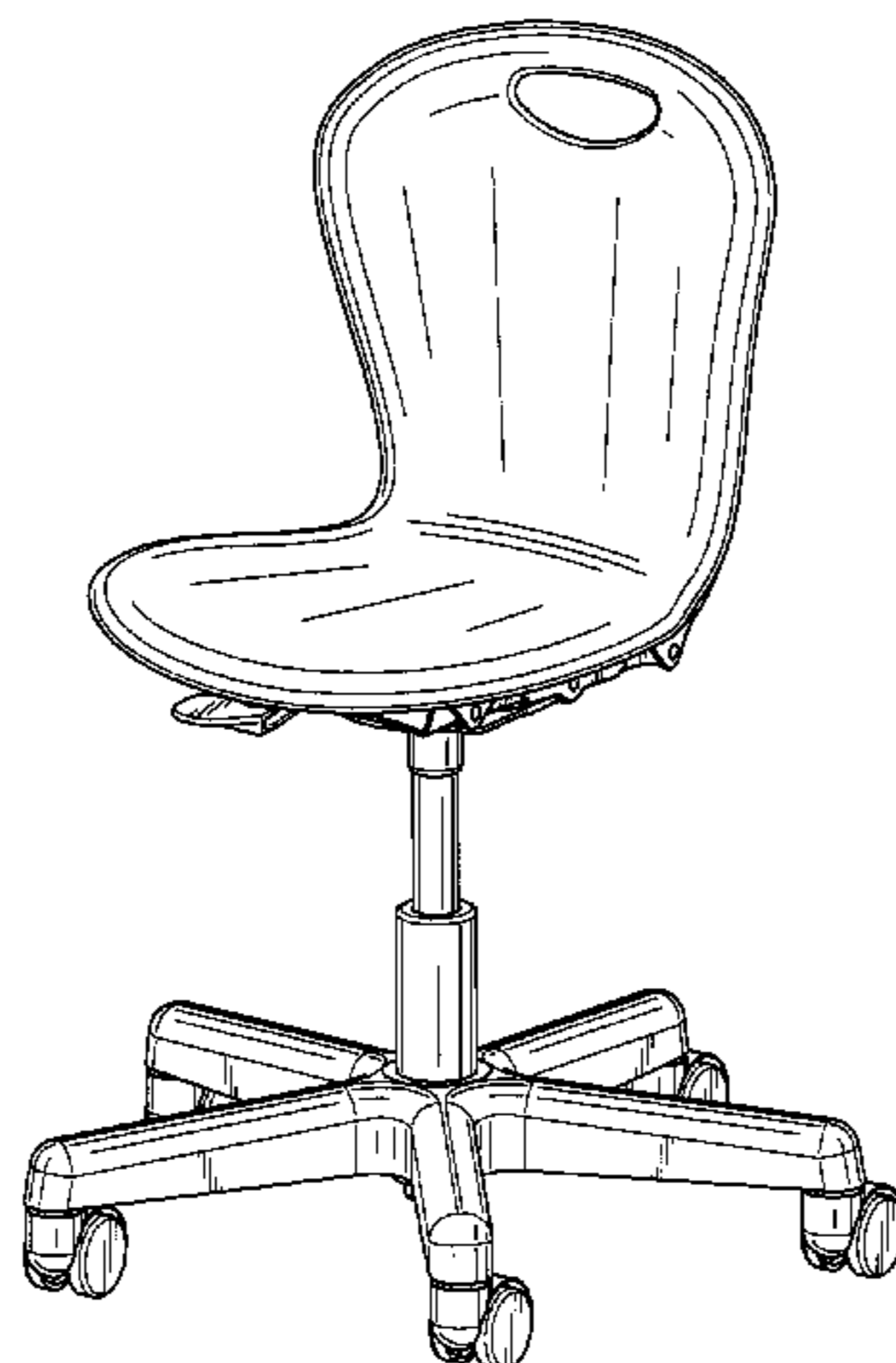
(57) **CLAIM**

The ornamental design for a “task chair,” as shown.

DESCRIPTION

FIG. 1 is a perspective view of a task chair showing my new
design;
FIG. 2 is a front view thereof;
FIG. 3 is a left side view thereof;
FIG. 4 is a right side view thereof;
FIG. 5 a top view thereof;
FIG. 6 is a bottom view thereof; and,
FIG. 7 is a back view thereof.

1 Claim, 4 Drawing Sheets



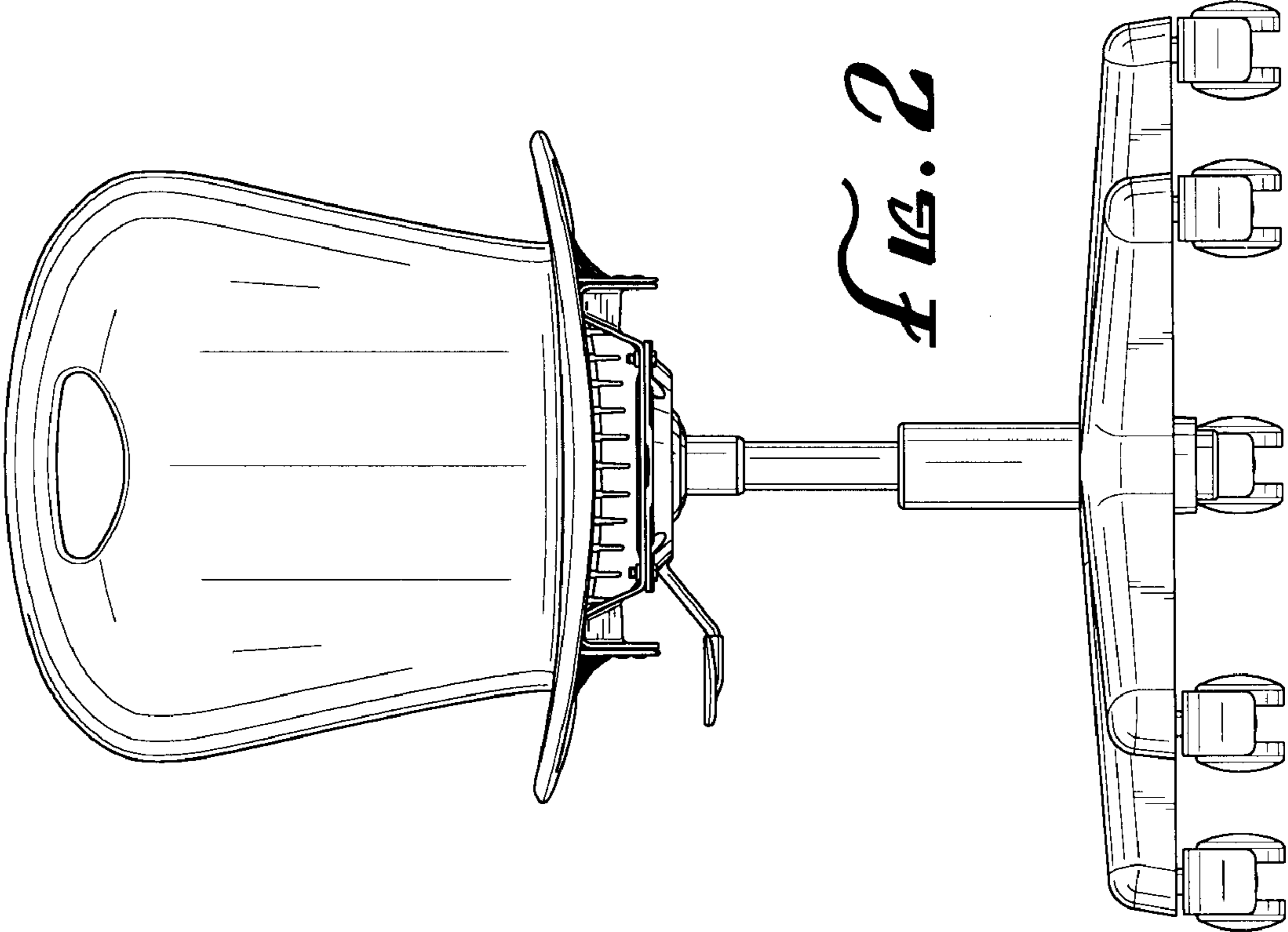
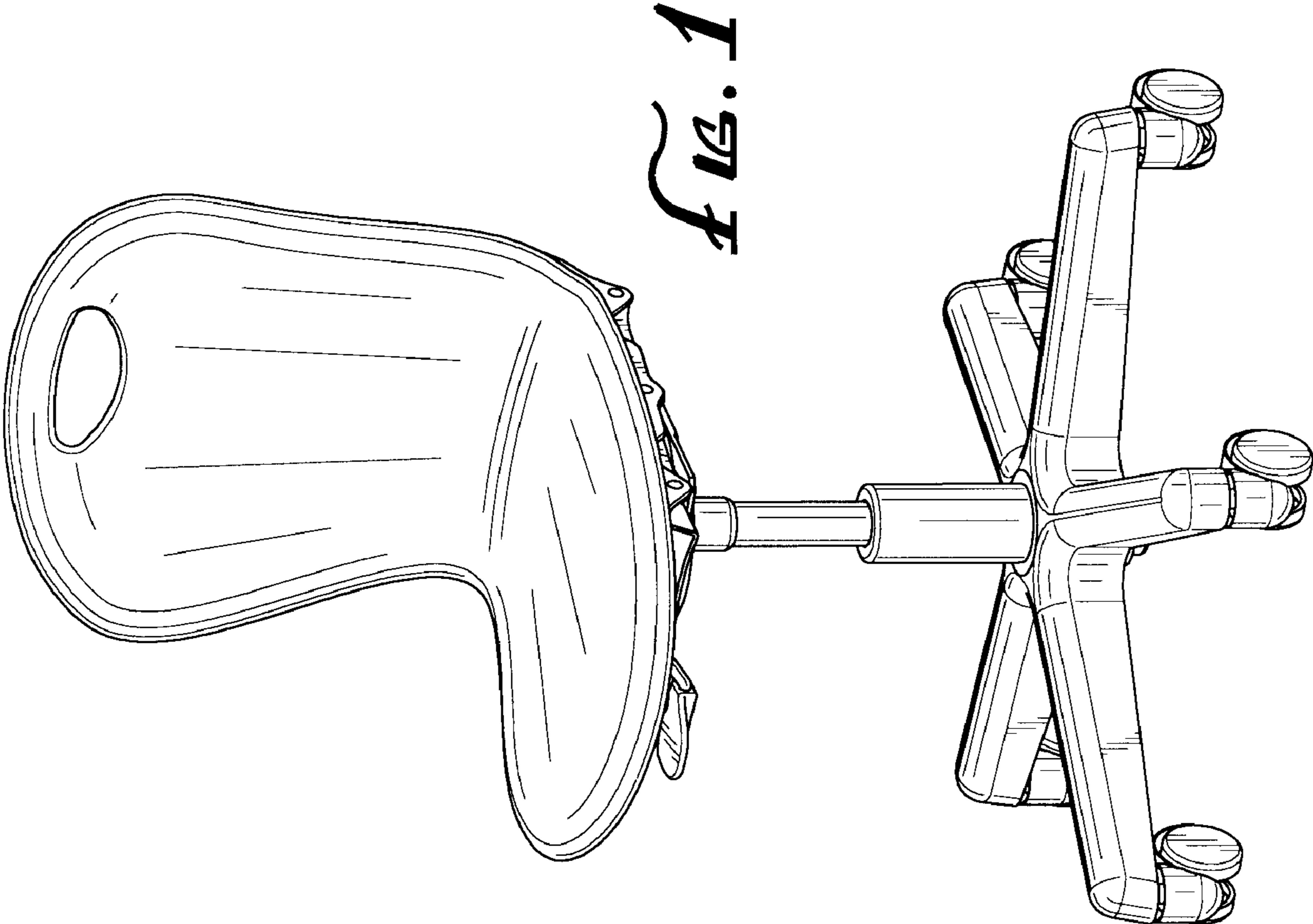
US D514,339 S

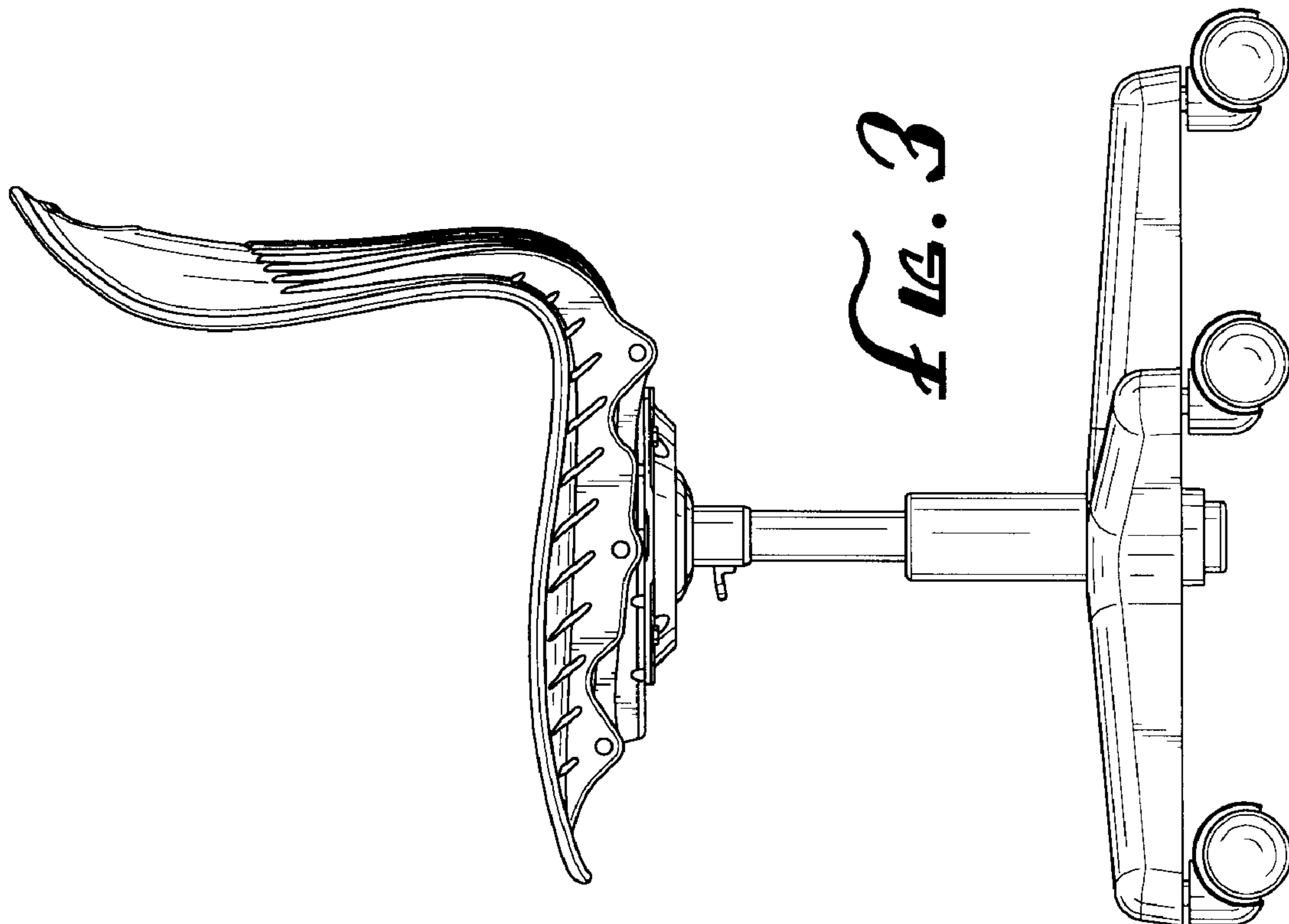
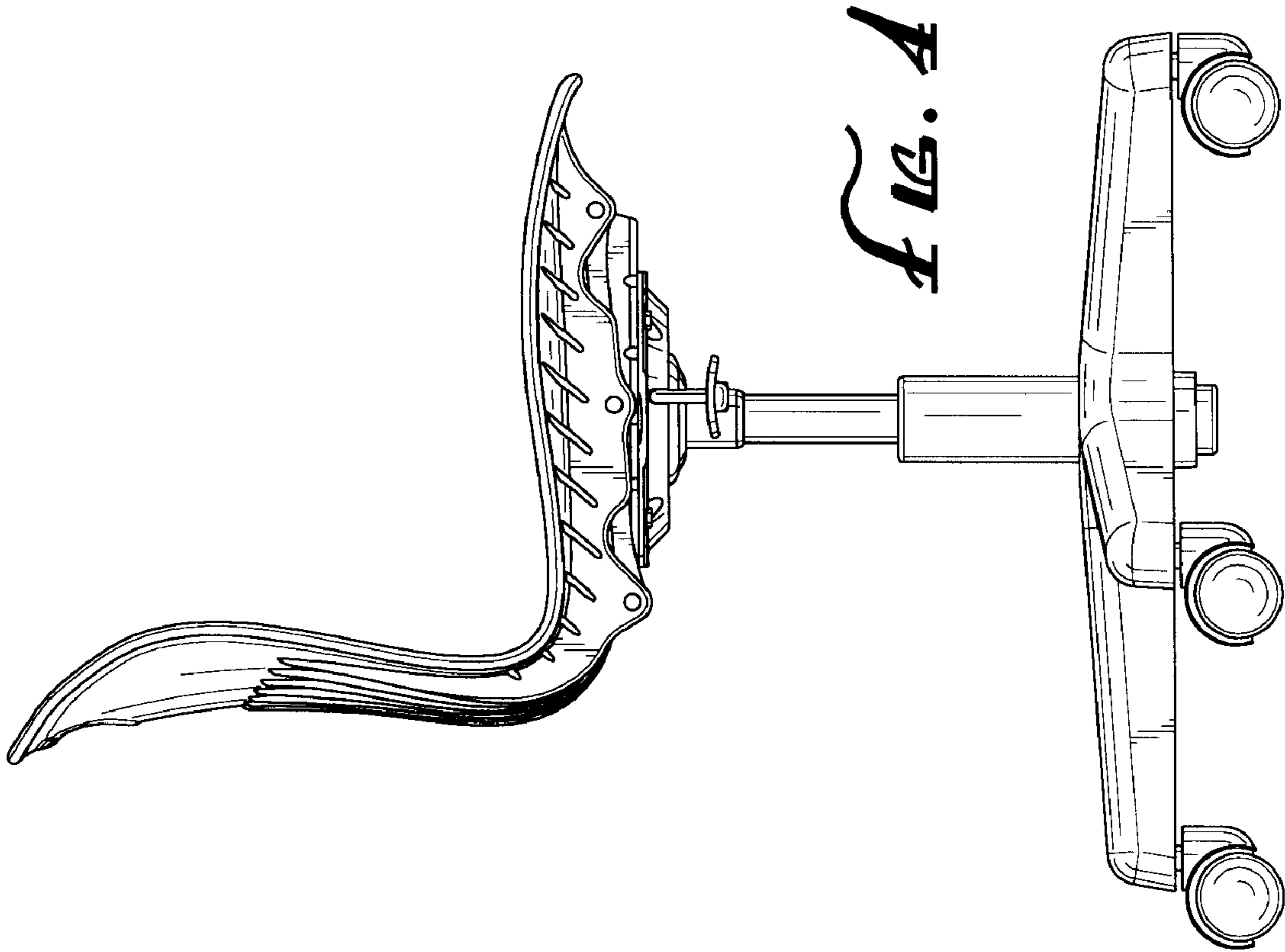
Page 2

U.S. PATENT DOCUMENTS

D233,807 S	12/1974	Ruf		D351,069 S	10/1994	Orlandini et al.	
D233,808 S	12/1974	Ruf		D354,631 S	1/1995	Orlandini et al.	
D234,382 S	2/1975	Tacke		D356,897 S	4/1995	Ochsner	
D234,383 S	2/1975	Tacke		D360,083 S	* 7/1995	Lohmeyer	D6/375
D234,384 S	2/1975	Tacke		D361,214 S	8/1995	Klein	
D235,233 S	6/1975	Prizlow		D362,973 S	10/1995	Schultz	
D236,173 S	8/1975	Ruf		D368,172 S	3/1996	Locher	
D236,302 S	8/1975	Prizlow		D368,380 S	4/1996	Olson et al.	
D236,303 S	8/1975	Prizlow		D369,689 S	5/1996	Locher	
D239,791 S	5/1976	Alessandri		D369,917 S	5/1996	Beaulieu	
D239,792 S	5/1976	Allesandri		D376,924 S	12/1996	Beaulieu	
D240,374 S	7/1976	Buhk		D378,170 S	2/1997	Beaulieu	
D240,375 S	7/1976	Buhk		D378,714 S	4/1997	Beaulieu	
D240,780 S	8/1976	Dittert		D383,322 S	9/1997	Dammermann et al.	
D241,288 S	9/1976	Tacke		D383,323 S	9/1997	Dammermann et al.	
D241,389 S	9/1976	Ball		D390,712 S	* 2/1998	Koepke et al.	D6/366
D243,486 S	3/1977	Buhk		D395,366 S	* 6/1998	Favaretto	D6/366
D243,487 S	3/1977	Buhk		D397,557 S	9/1998	Feldberg	
D244,892 S	7/1977	Koepke		D399,664 S	10/1998	Goodworth et al.	
D249,302 S	9/1978	Ruf		D401,076 S	* 11/1998	Crinion	D6/366
D249,303 S	9/1978	Ruf		D401,771 S	12/1998	Goodworth et al.	
D254,104 S	2/1980	Wilson		D405,617 S	2/1999	Kaczmarek et al.	
D255,183 S	6/1980	Locher		D408,163 S	4/1999	Olson	
D255,293 S	6/1980	Locher		D409,022 S	5/1999	Vanderwood et al.	
D256,740 S	9/1980	Acton		D409,404 S	5/1999	Kaczmarek	
D256,741 S	9/1980	Acton		D411,692 S	6/1999	Ogg	
D260,204 S	8/1981	Sapper		D413,027 S	8/1999	Breen	
D260,303 S	8/1981	Ruf		D418,685 S	1/2000	Kaczmarek	
D268,233 S	3/1983	Stephens		D420,224 S	2/2000	Olson	
D270,497 S	9/1983	Ochsner		D440,418 S	4/2001	Breen	
D270,874 S	10/1983	Ochsner		D446,955 S	8/2001	Zemp	
D275,052 S	8/1984	Stephens		D456,160 S	4/2002	Van De Riet et al.	
D275,053 S	8/1984	Stephens		D456,626 S	5/2002	Su	
D279,241 S	6/1985	Diffrient		D456,627 S	5/2002	Pearce et al.	
D288,387 S	2/1987	Ochsner		D458,764 S	6/2002	Starck	
D295,002 S	4/1988	Murry		D460,870 S	7/2002	Van De Riet et al.	
D297,600 S	9/1988	Wilson		D461,345 S	* 8/2002	Holbrook et al.	D6/498
D298,188 S	* 10/1988	Hensel	D6/366	D463,178 S	9/2002	Chu	
D304,885 S	12/1989	Wilson		D463,694 S	10/2002	Chu	
D304,886 S	12/1989	Murry		D470,320 S	* 2/2003	Schloss	D6/375
D309,385 S	7/1990	Buhk		D471,024 S	3/2003	Chadwick et al.	
D320,507 S	* 10/1991	Shields	D6/366	D471,370 S	3/2003	Schmitz et al.	
D322,179 S	12/1991	Wilson		D471,730 S	* 3/2003	Schloss	D6/375
D326,372 S	5/1992	Edwards		D473,407 S	* 4/2003	Ross	D6/500
D326,961 S	6/1992	Hannah et al.		D474,040 S	5/2003	Meda	
D341,260 S	11/1993	Fahnstrom et al.		D477,925 S	8/2003	Lucci et al.	
D347,740 S	6/1994	Locher		D487,642 S	3/2004	Lucci et al.	
D348,990 S	7/1994	Geiger et al.		D499,260 S	* 12/2004	Glass et al.	D6/375
D348,991 S	7/1994	Geiger et al.					

* cited by examiner





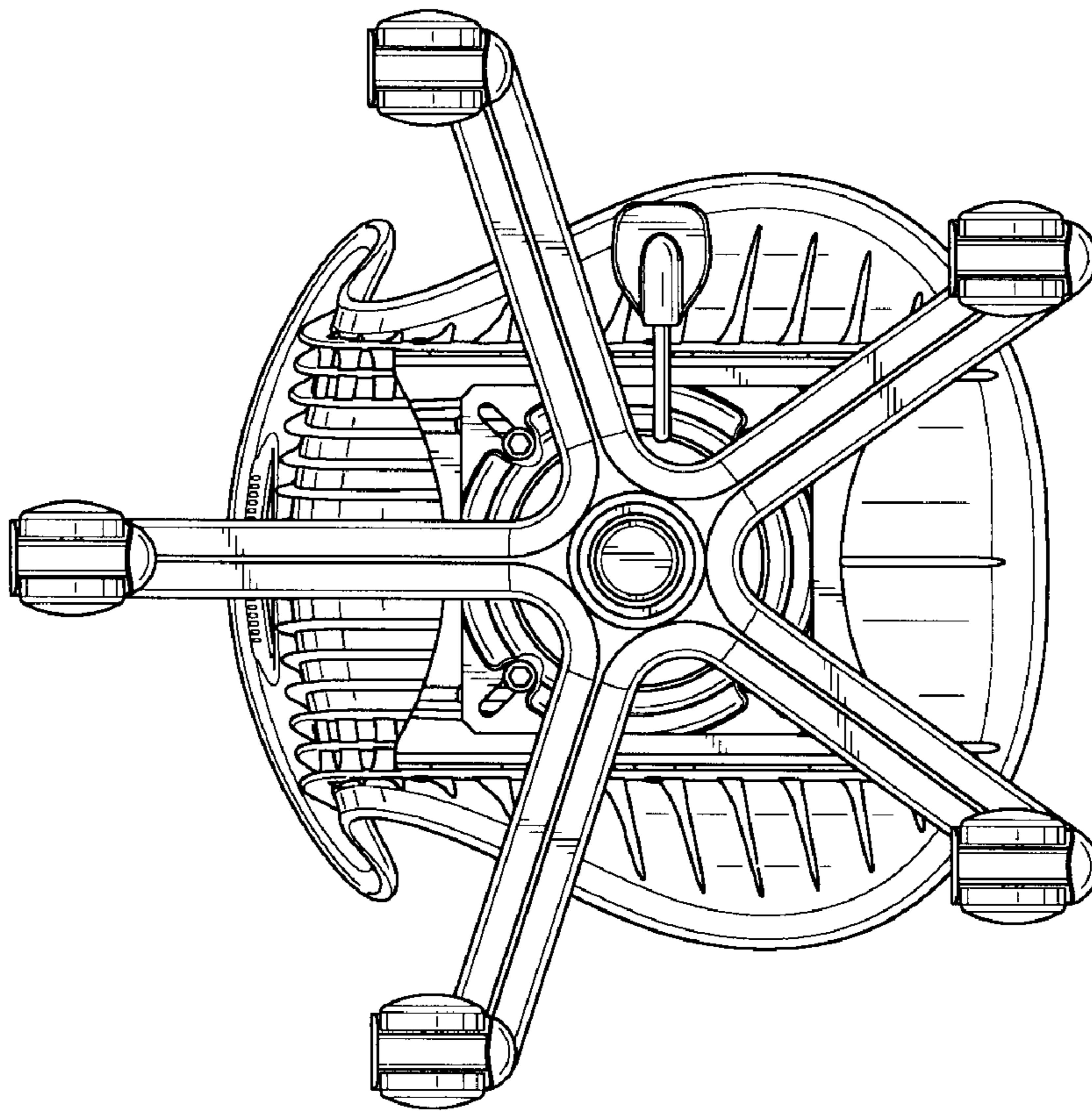


Fig. 5

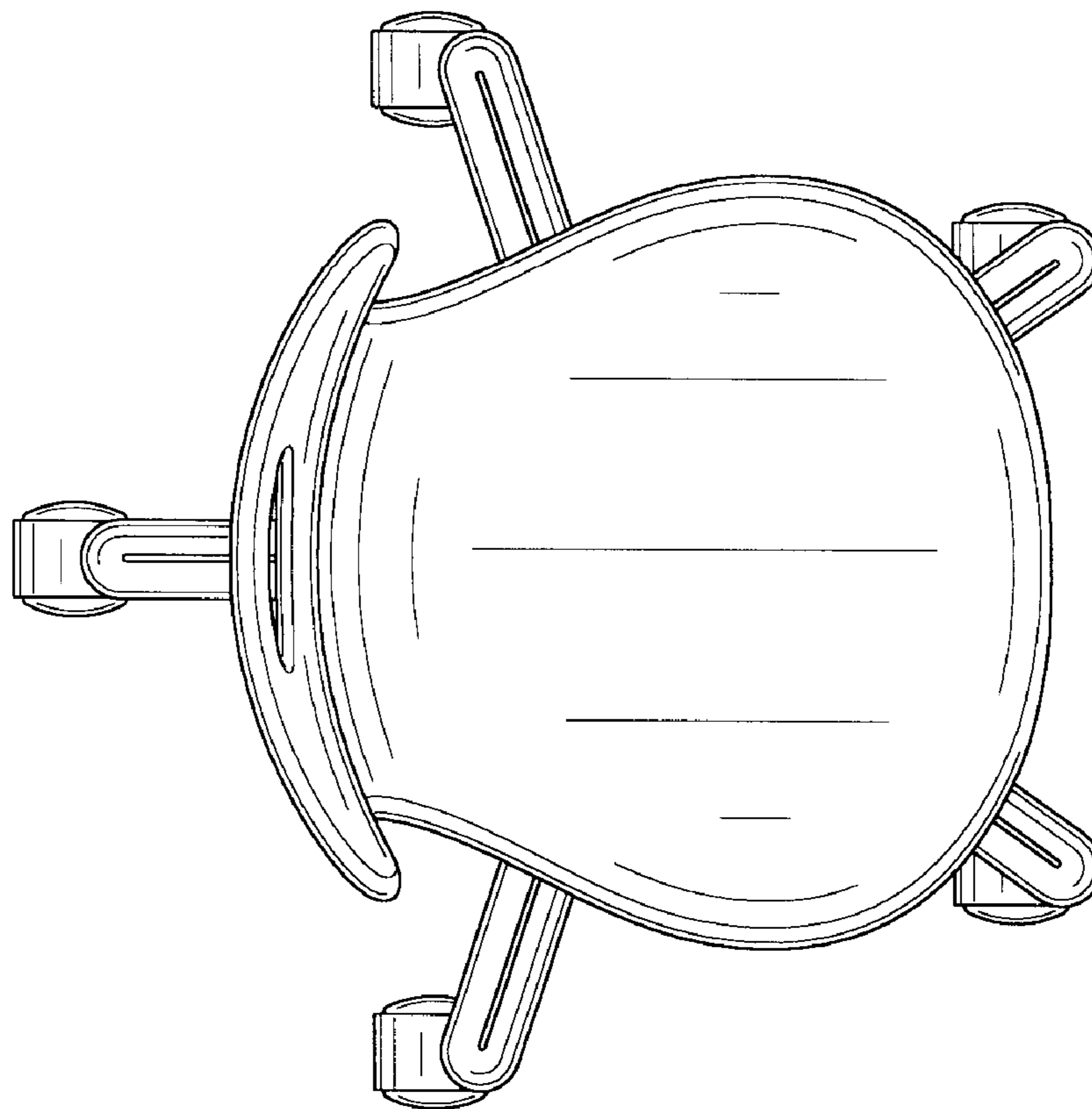


Fig. 6

