



US00D514338S

(12) **United States Design Patent**
Bellin

(10) **Patent No.:** **US D514,338 S**
(45) **Date of Patent:** **** Feb. 7, 2006**

(54) **CHAIR**

(75) Inventor: **Sergio Bellin**, Via San Silvestro (IT)

(73) Assignee: **Domino SRL**, Nanto (IT)

(**) Term: **14 Years**

(21) Appl. No.: **29/179,746**

(22) Filed: **Apr. 15, 2003**

(30) **Foreign Application Priority Data**

Oct. 18, 2002 (WO) DM/062 253

(51) **LOC (8) Cl.** **06-01**

(52) **U.S. Cl.** **D6/366**

(58) **Field of Classification Search** D6/334,
D6/364, 365, 366, 367, 379, 380, 498, 500-502;
297/411.2, 411.27

See application file for complete search history.

(56) **References Cited**

U.S. PATENT DOCUMENTS

D247,463 S	*	3/1978	Muller-Deisig	D6/366
D260,330 S	*	8/1981	Ruf	D6/366
D288,389 S	*	2/1987	Ochsner	D6/366
D289,236 S	*	4/1987	Brauning	D6/366
D299,799 S	*	2/1989	Muller-Deisig et al.	D6/500
D312,005 S	*	11/1990	Snodgrass	D6/379
D326,370 S	*	5/1992	Buchacz	D6/366
D328,980 S	*	9/1992	Buchacz	D6/366
D362,974 S	*	10/1995	Olson et al.	D6/366

D371,475 S	*	7/1996	Tedesco	D6/501
D405,968 S	*	2/1999	Beaulieu	D6/366
D411,692 S	*	6/1999	Ogg	D6/366
D458,778 S	*	6/2002	Lee	D6/501

* cited by examiner

Primary Examiner—Mimosa De

(74) *Attorney, Agent, or Firm*—Dykema Gossett PLLC

(57) **CLAIM**

The ornamental design for a chair, as shown and described.

DESCRIPTION

FIG. 1 is a front perspective view of a chair according to the present invention.

FIG. 2 is a rear perspective view thereof;

FIG. 3 is a front elevation thereof;

FIG. 4 is a right side view thereof; the left side view is a mirror image;

FIG. 5 is a rear elevation of thereof;

FIG. 6 is a top view thereof;

FIG. 7 is a front perspective view of a second embodiment of the chair according to the present invention;

FIG. 8 is a rear perspective thereof;

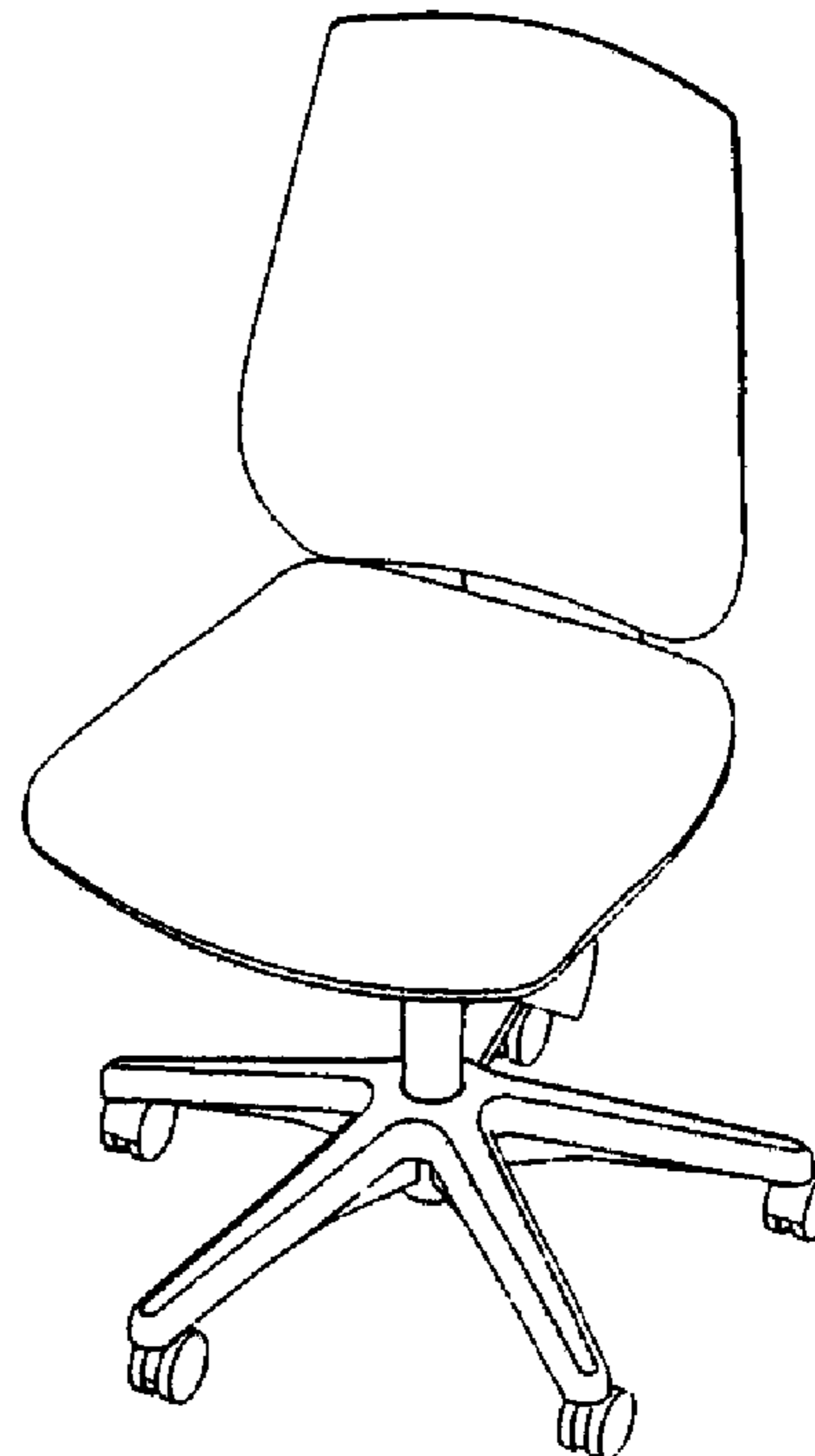
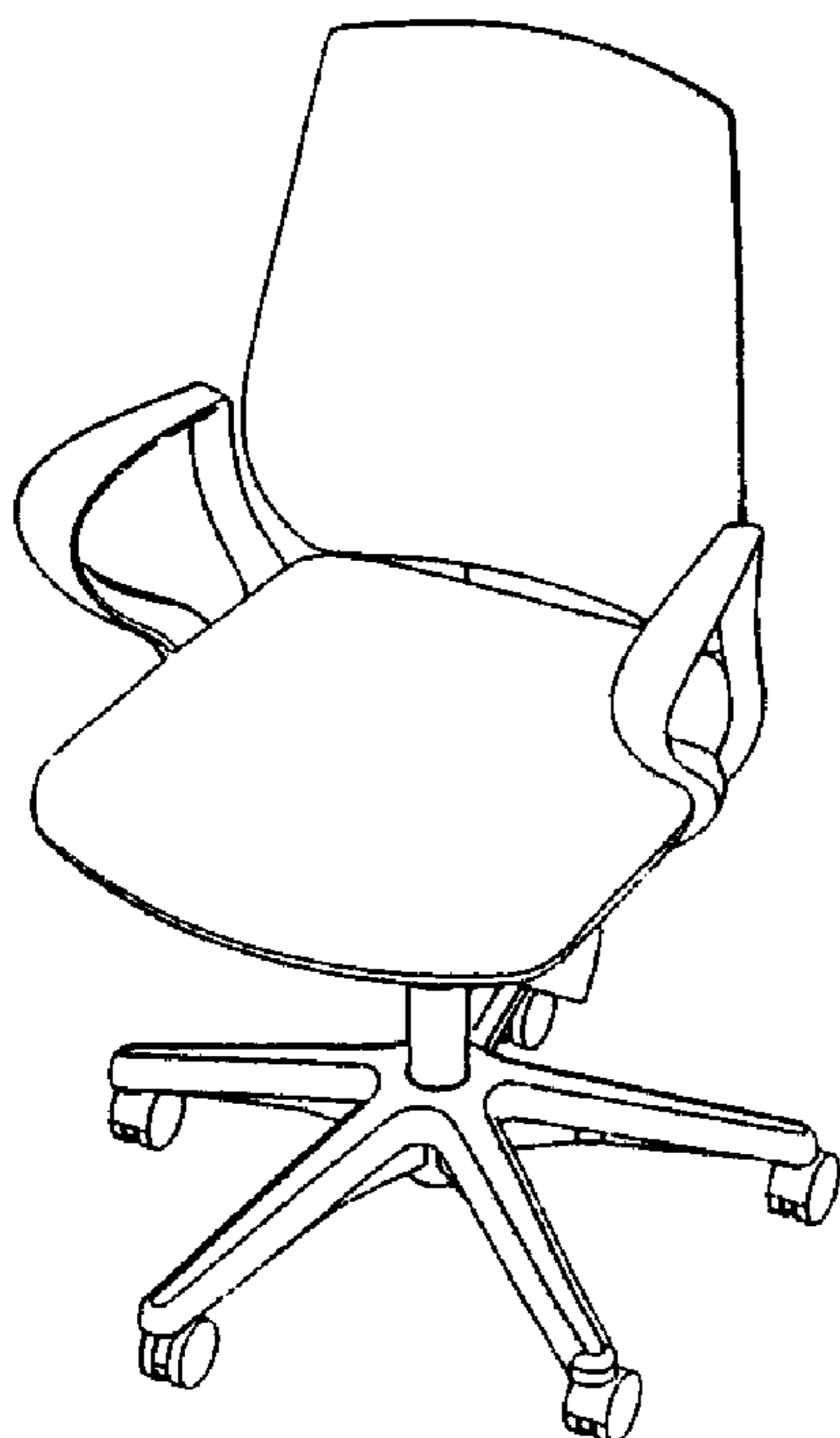
FIG. 9 is a front elevation thereof;

FIG. 10 is a right side view thereof, the left side view is a mirror image;

FIG. 11 is a rear elevation thereof; and,

FIG. 12 is a top view thereof.

1 Claim, 2 Drawing Sheets



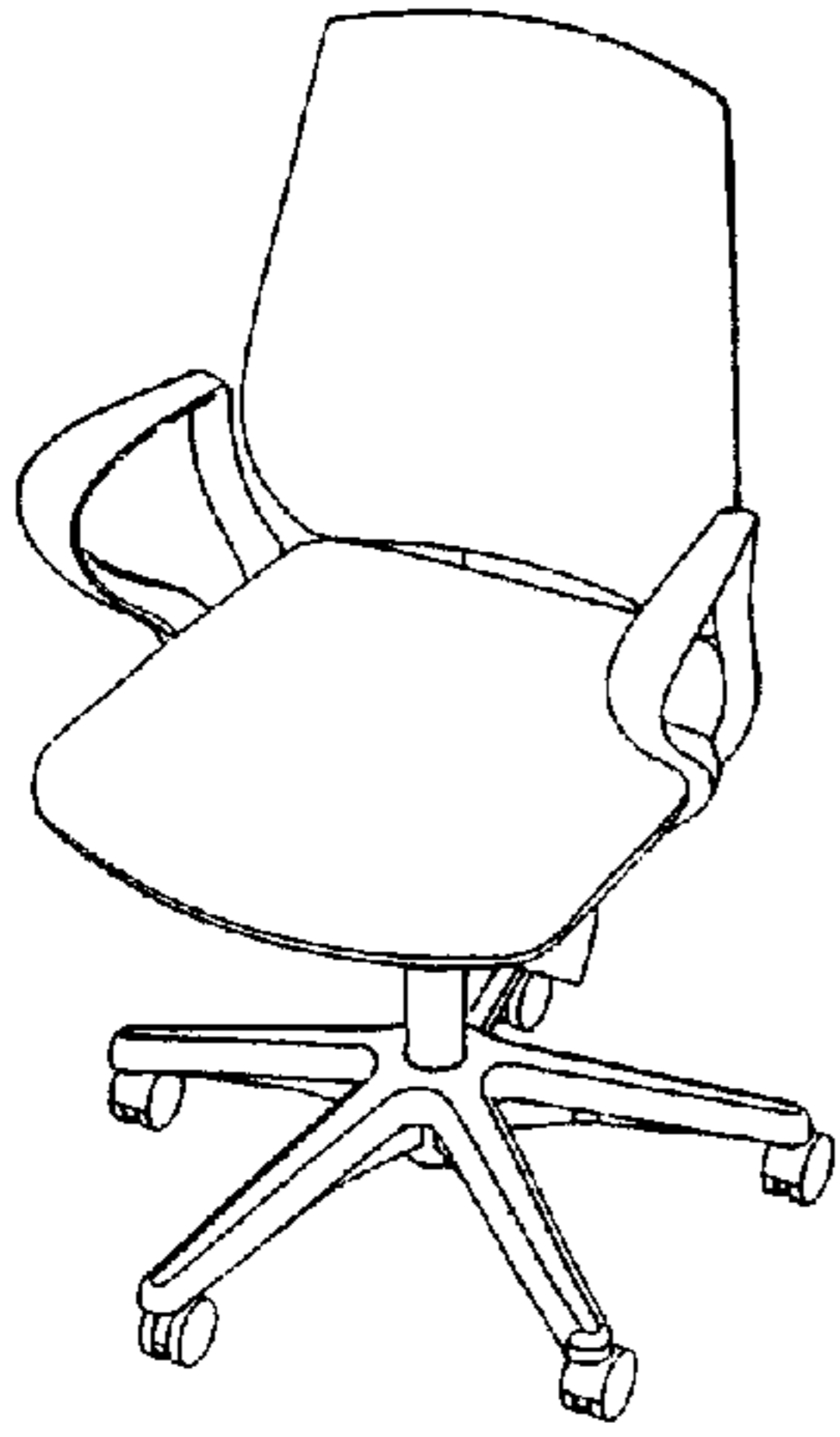


FIG. 1

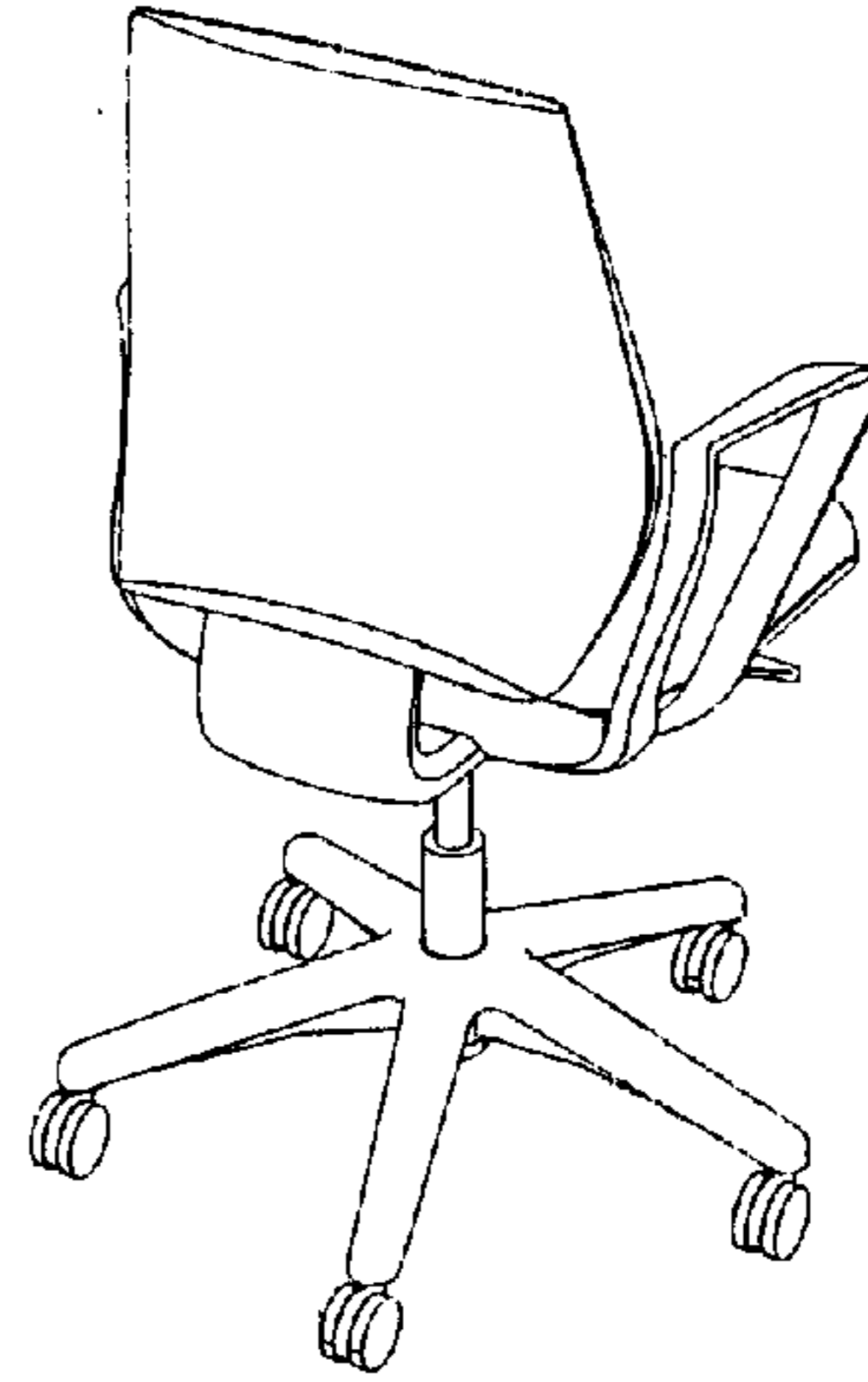


FIG. 2

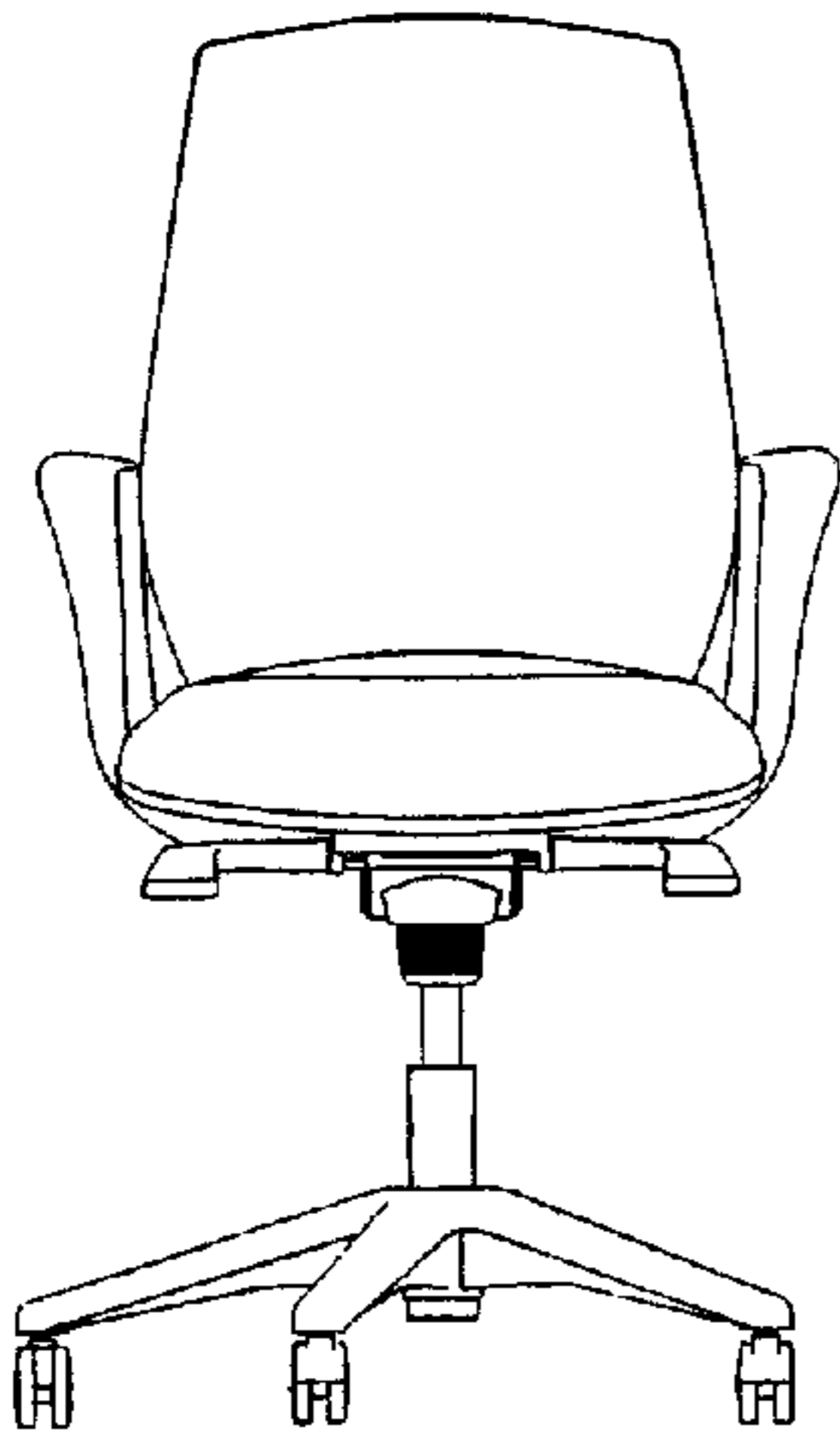


FIG. 3

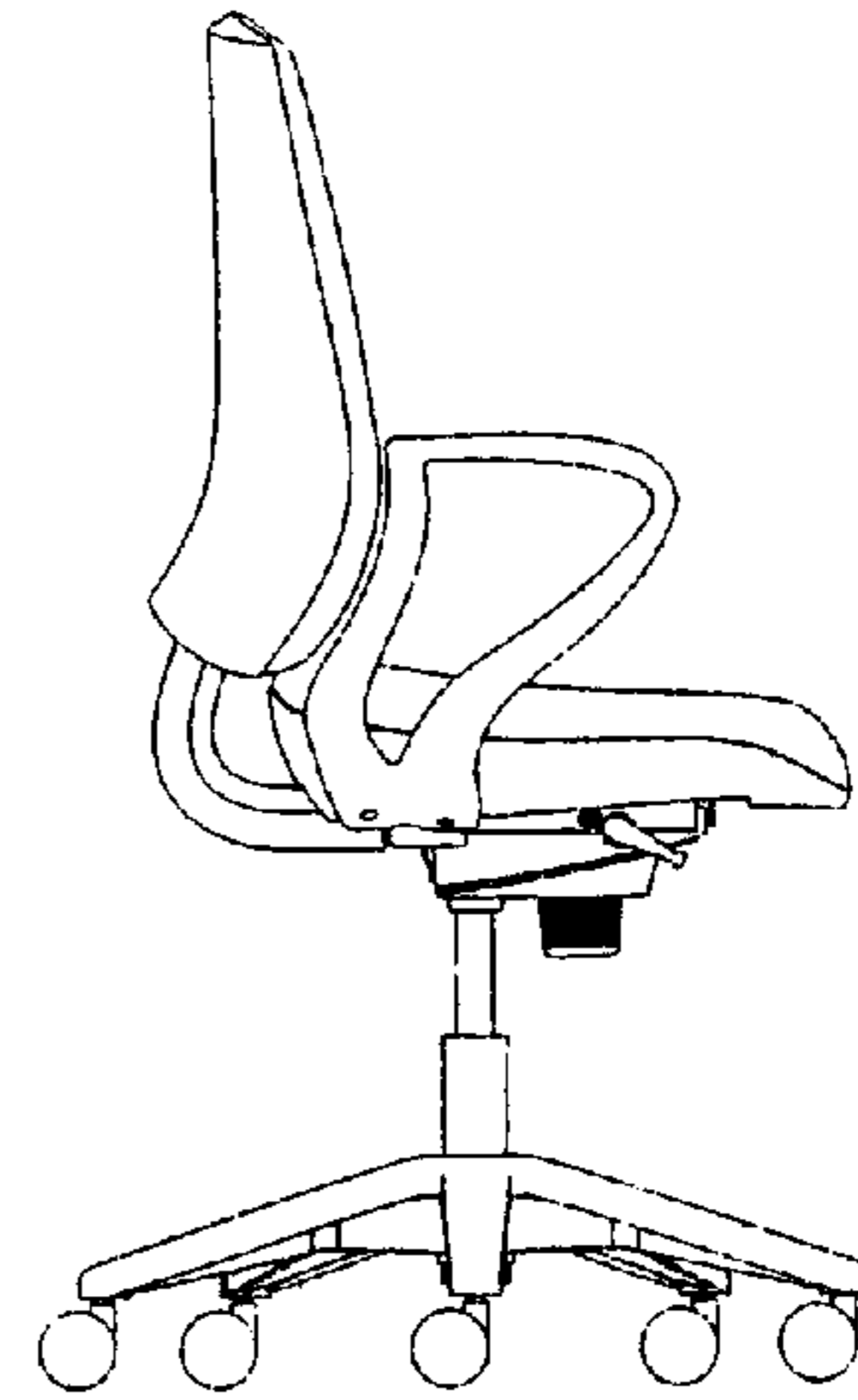


FIG. 4

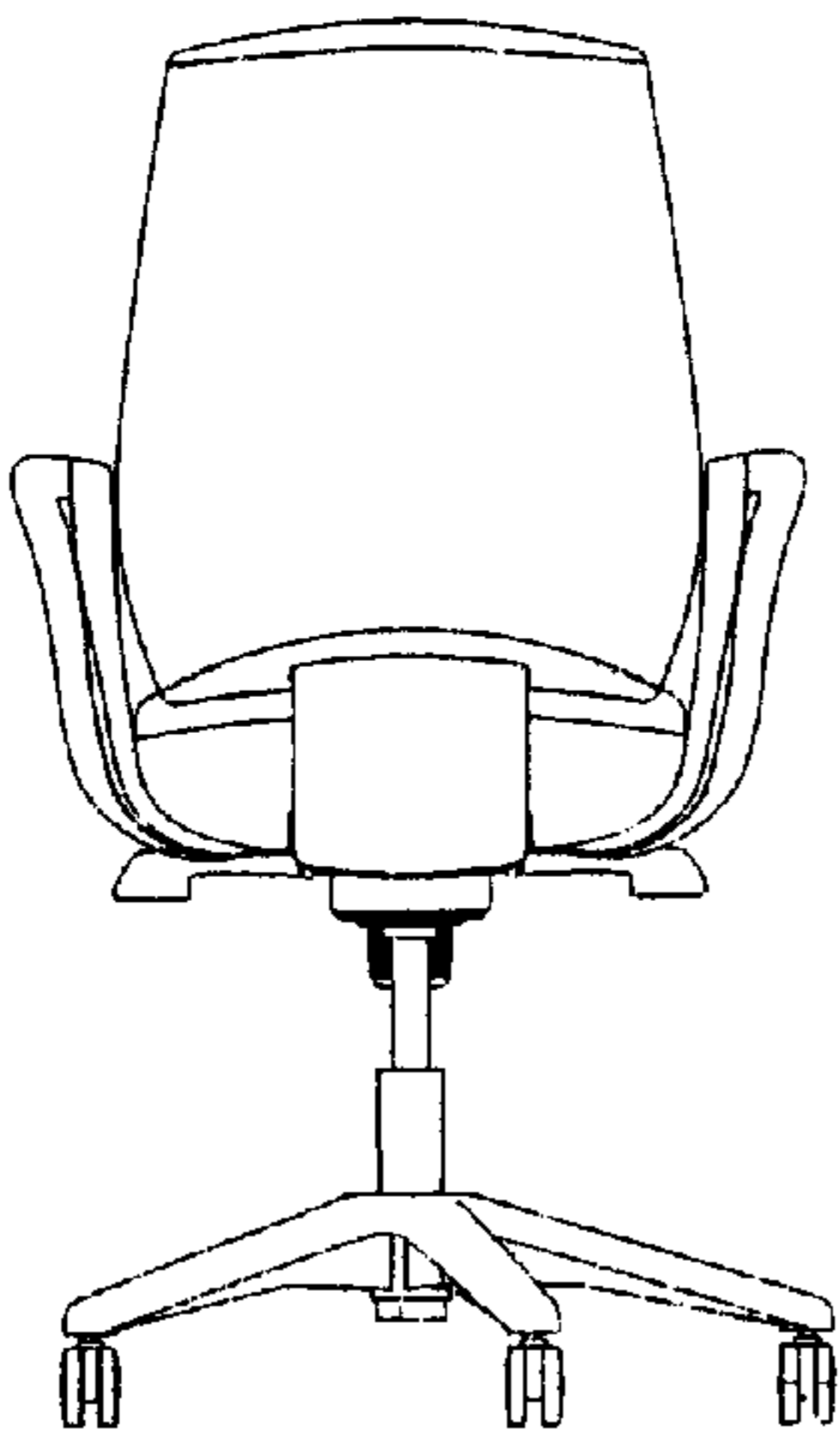


FIG. 5

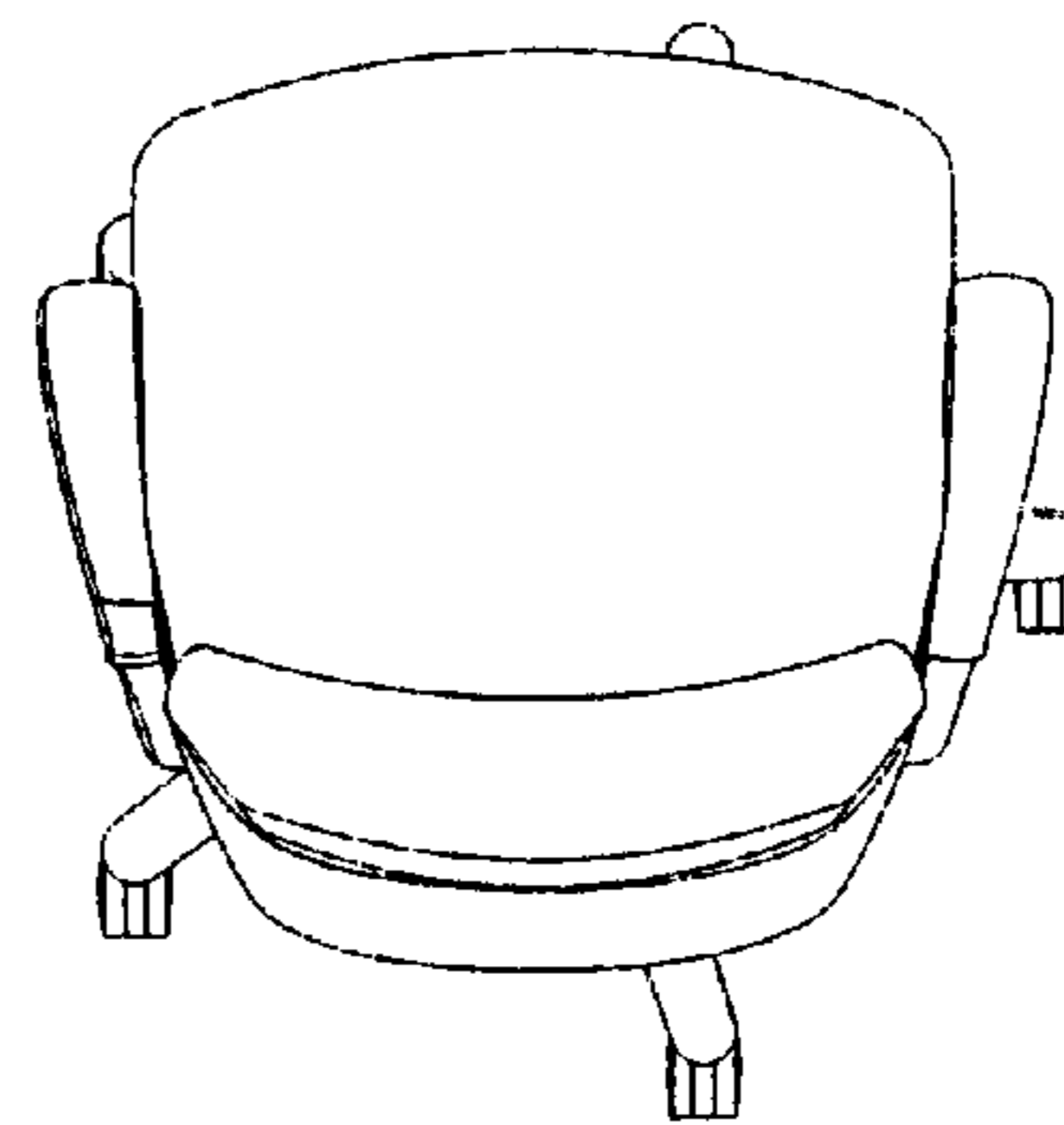


FIG. 6

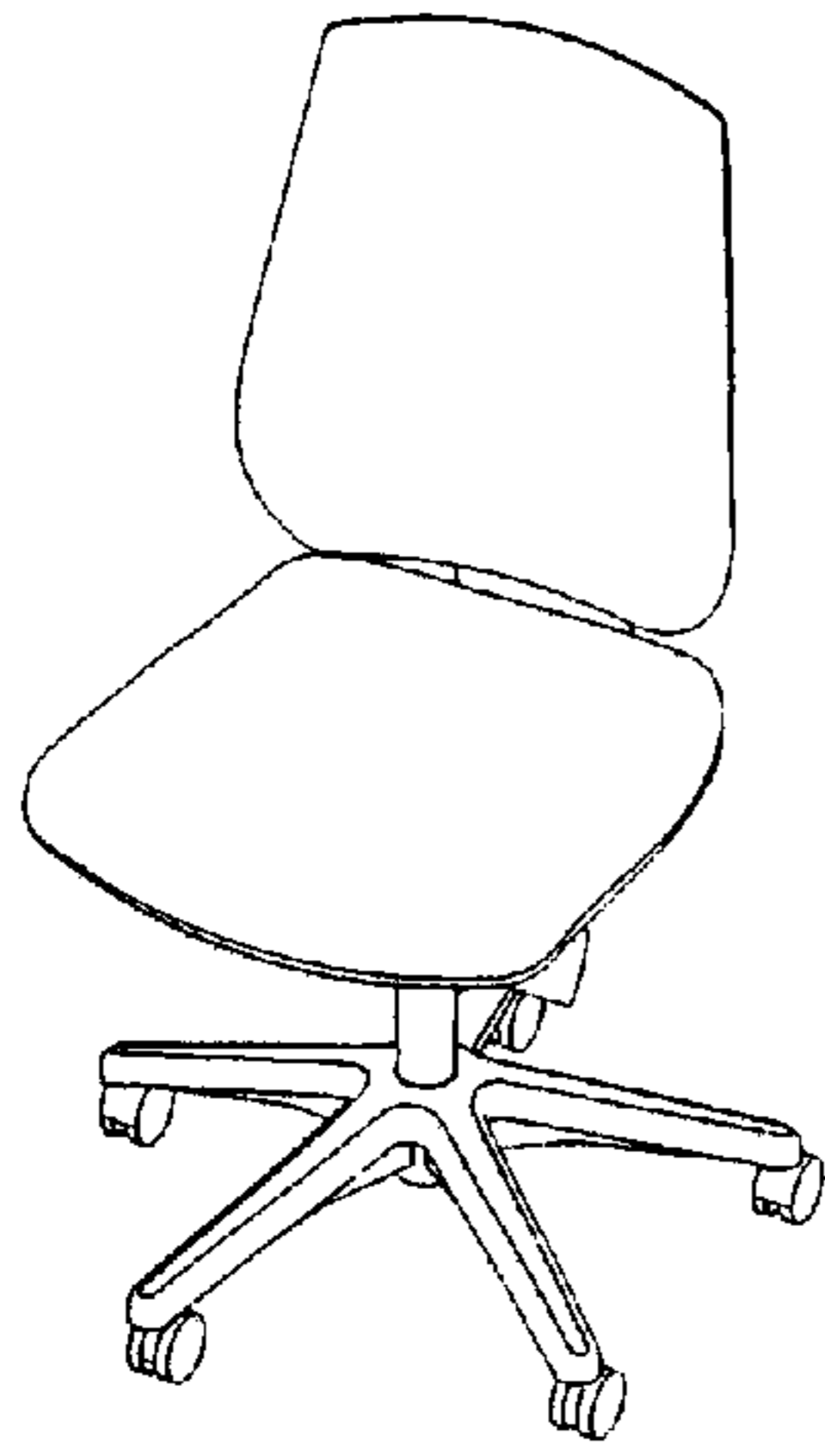


FIG. 7

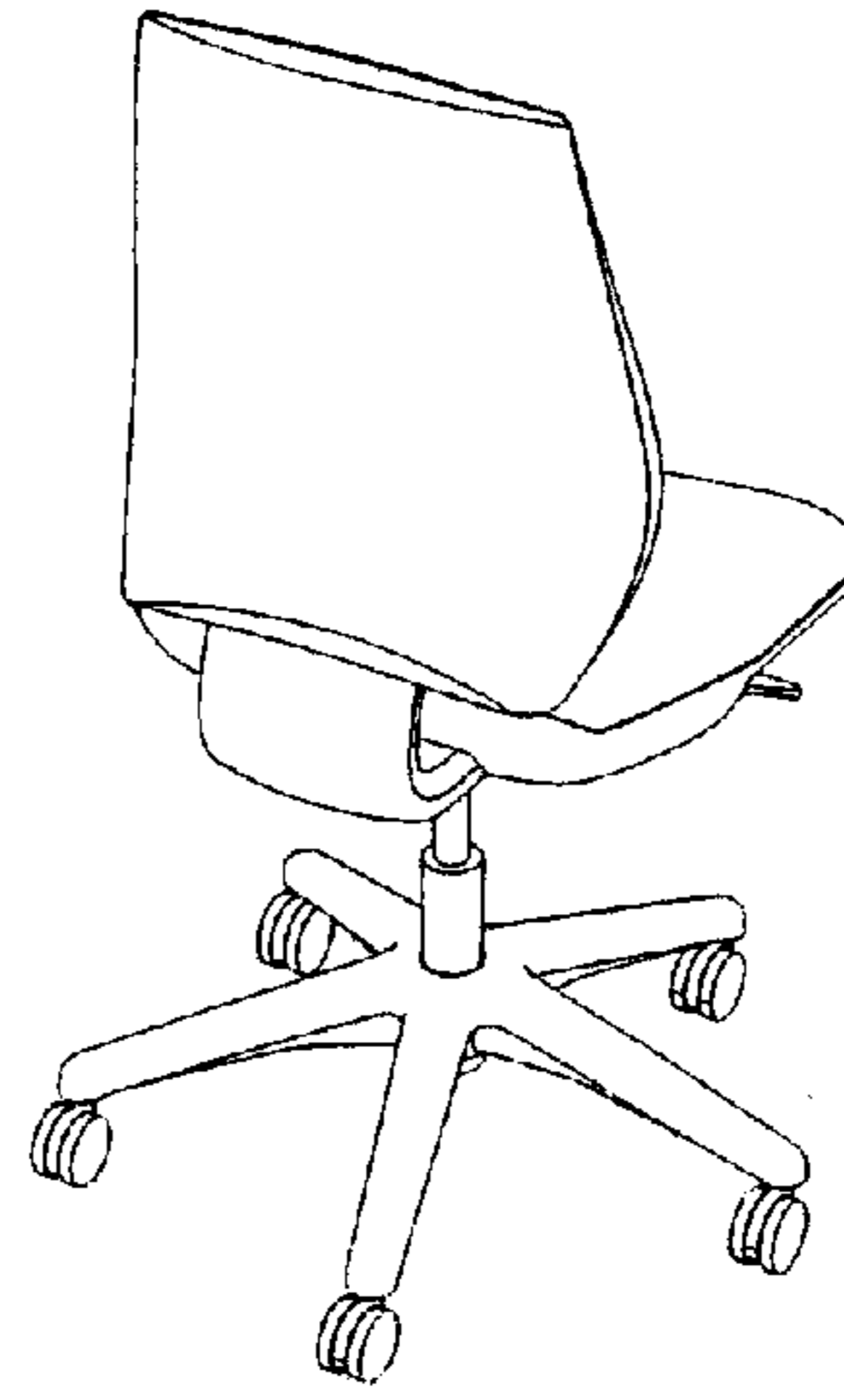


FIG. 8

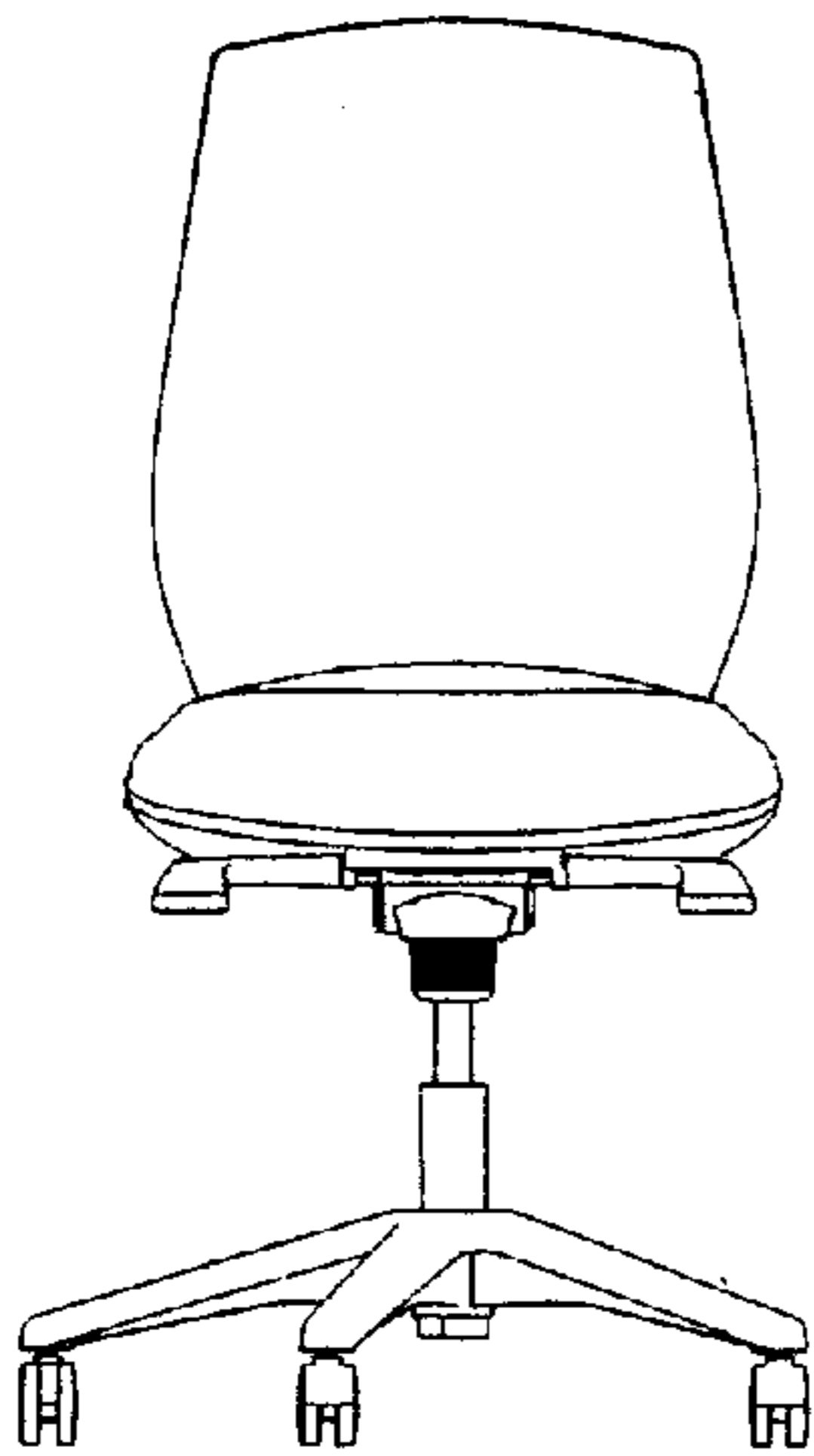


FIG. 9

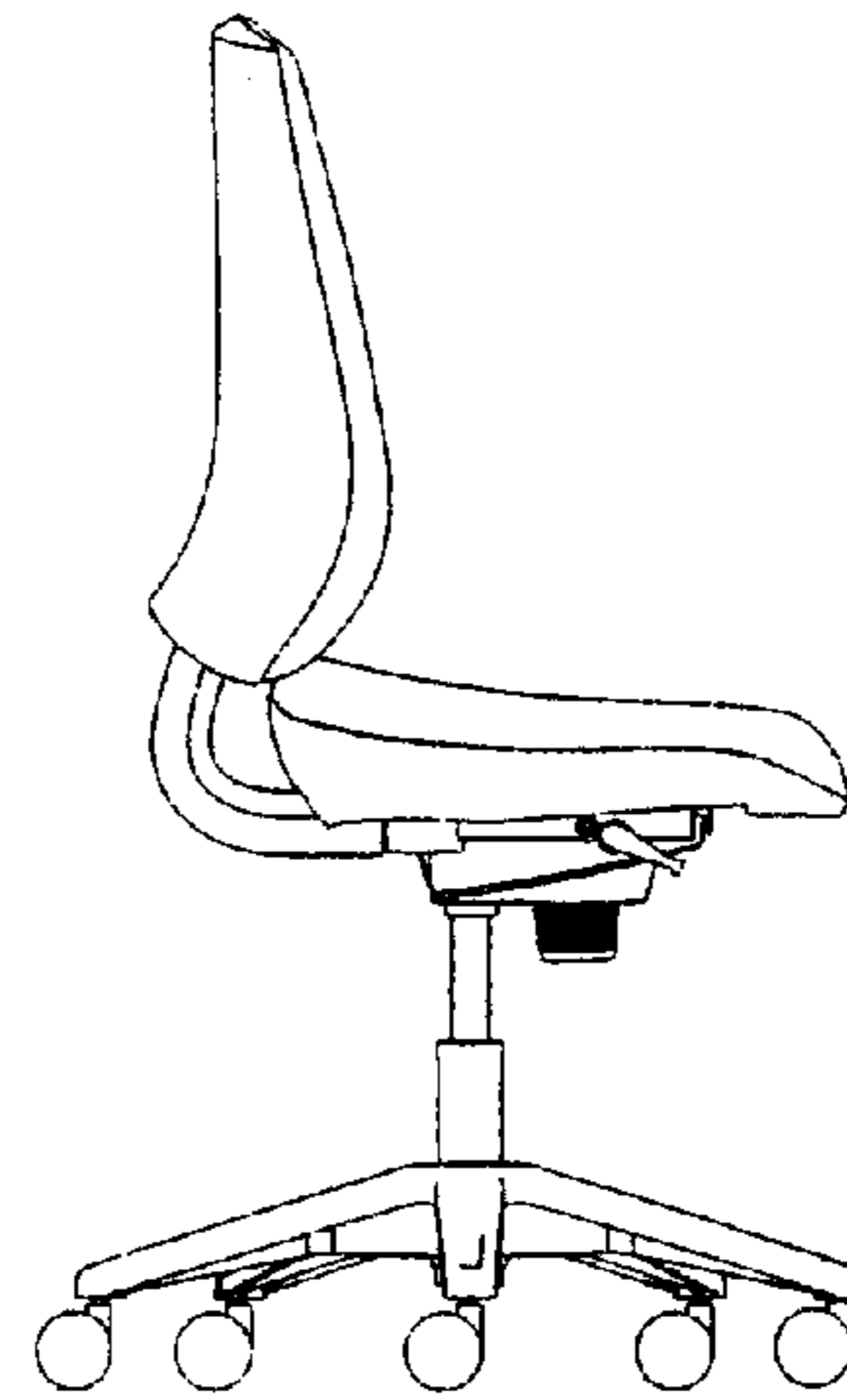


FIG. 10

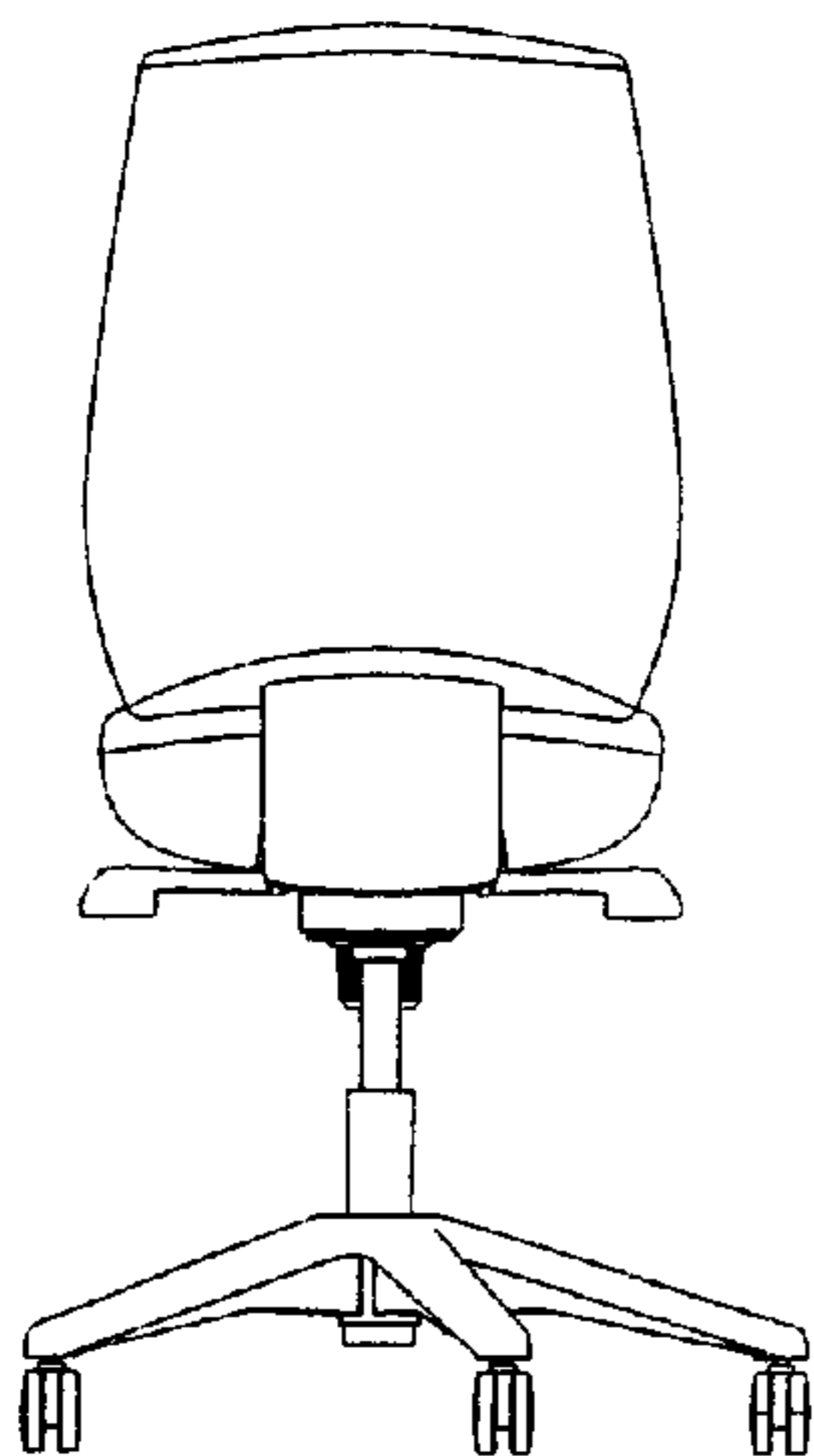


FIG. 11

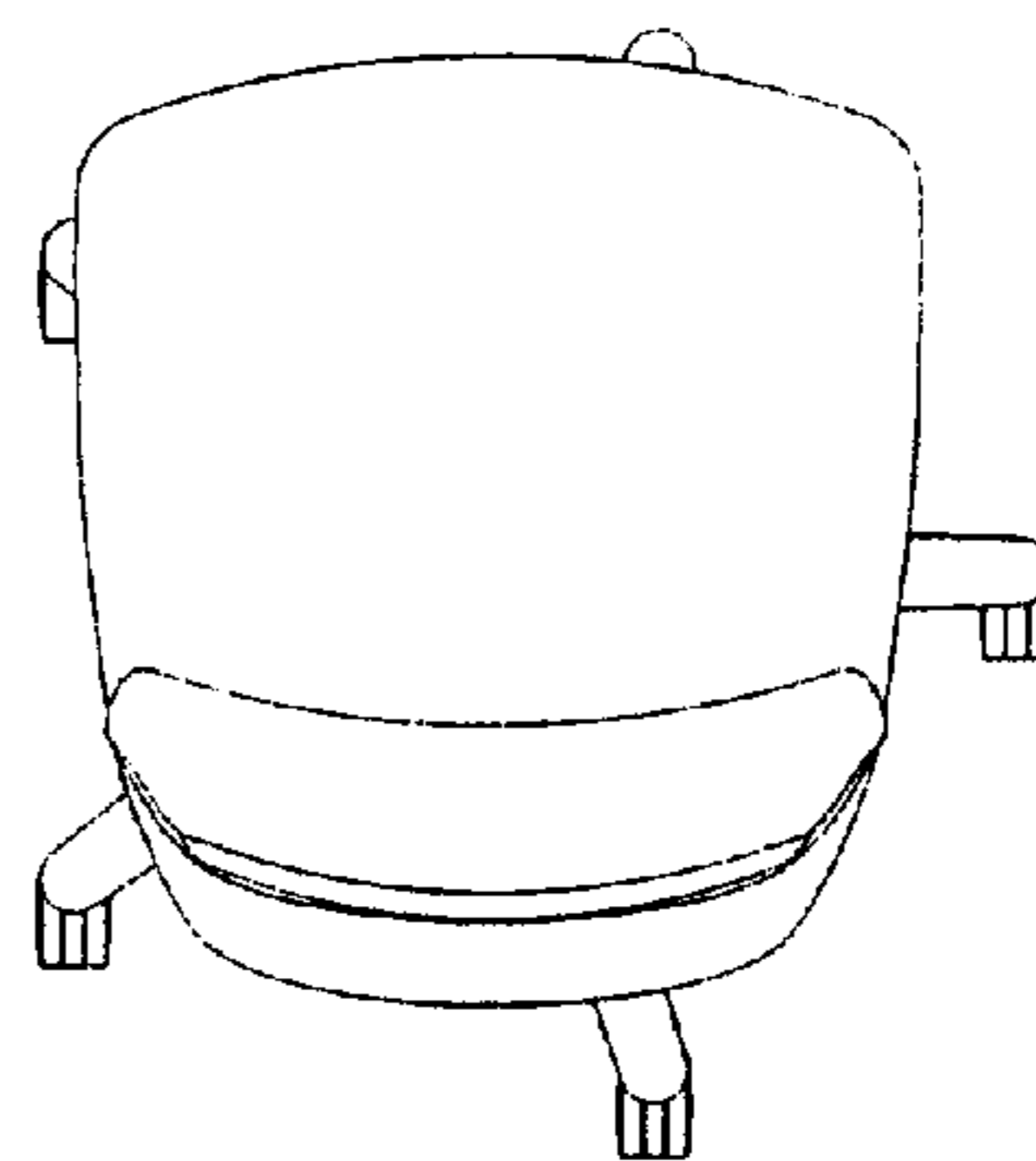


FIG. 12