



US00D514331S

(12) **United States Design Patent**
Liu

(10) **Patent No.:** **US D514,331 S**

(45) **Date of Patent:** **** Feb. 7, 2006**

(54) **CAR BRUSH**

(76) **Inventor:** **Te-Ching Liu**, 1F., No. 57, Street
Tan-Mei, Nei-Hu (114), Taipei (TW)

(**) **Term:** **14 Years**

(21) **Appl. No.:** **29/215,167**

(22) **Filed:** **Oct. 15, 2004**

(51) **LOC (8) Cl.** **04-01**

(52) **U.S. Cl.** **D4/138**

(58) **Field of Classification Search** D4/132-134,
D4/136-138; D7/393, 395, 401.2; D8/107,
D8/DIG. 4, DIG. 7, DIG. 8; 15/143.1, 145,
15/159.1, 160, 186-188; 16/110.1, 422, 430,
16/43; 81/177.1, 489

See application file for complete search history.

(56) **References Cited**

U.S. PATENT DOCUMENTS

D106,819 S * 11/1937 Rapids D4/138
D191,875 S * 12/1961 Hvale D7/395
D193,202 S * 7/1962 Eckersberg D7/395

4,974,286 A * 12/1990 Stowell et al. 15/143.1 X
D407,851 S * 4/1999 Shurtleff D8/DIG. 7 X
D417,585 S * 12/1999 Kwok D7/395

* cited by examiner

Primary Examiner—Alan P. Douglas
Assistant Examiner—Lavone D. Tabor

(57) **CLAIM**

The ornamental design for a car brush, as shown and described.

DESCRIPTION

FIG. 1 is a perspective view of car brush showing my new design.

FIG. 2 is a front elevational view;

FIG. 3 is a rear elevational view;

FIG. 4 is a left side elevational view;

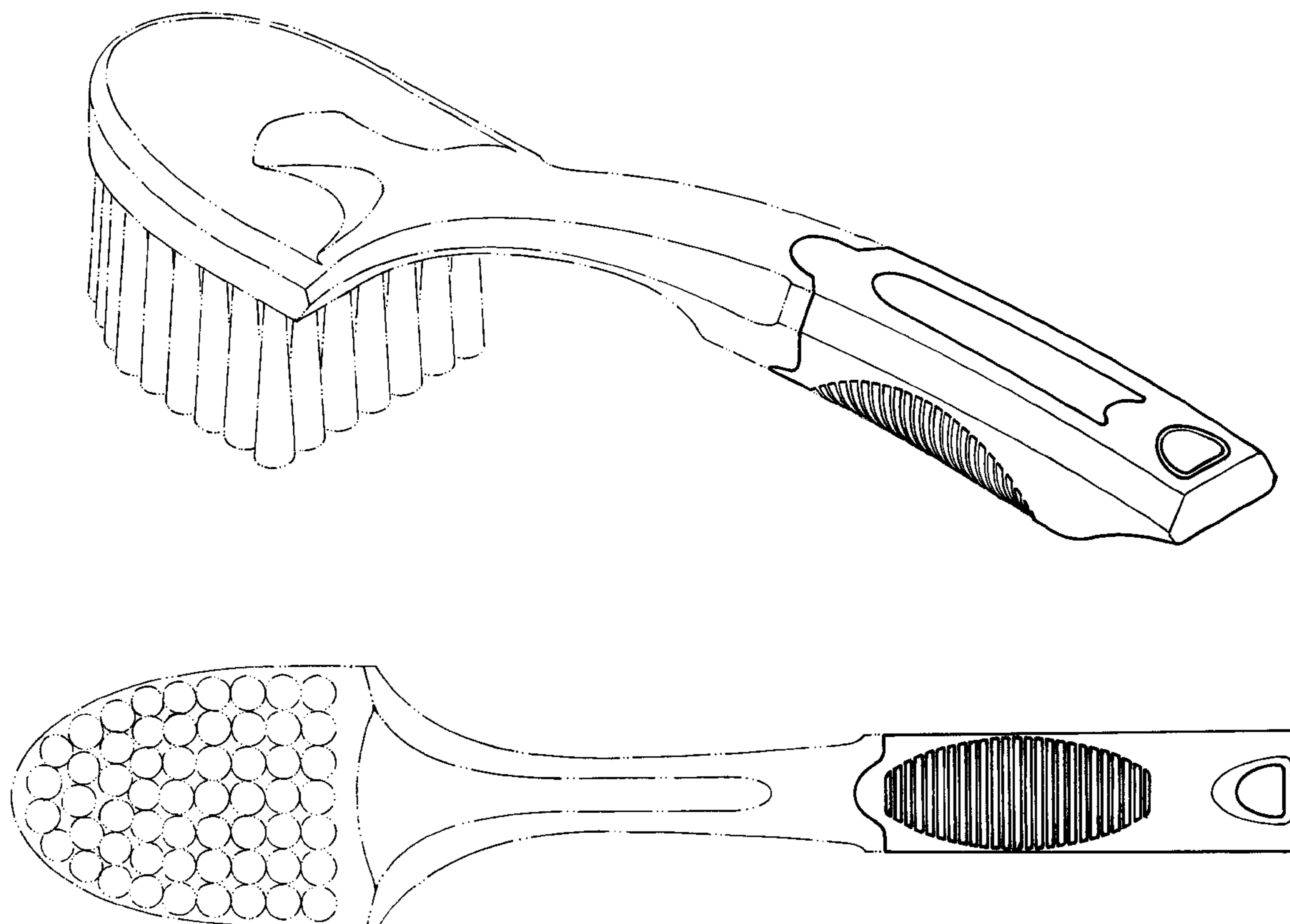
FIG. 5 is a right side elevational view;

FIG. 6 is a top plan view; and,

FIG. 7 is a bottom plan view.

The broken lines are for environmental purposes only and form no part of the claimed design in the drawings.

1 Claim, 5 Drawing Sheets



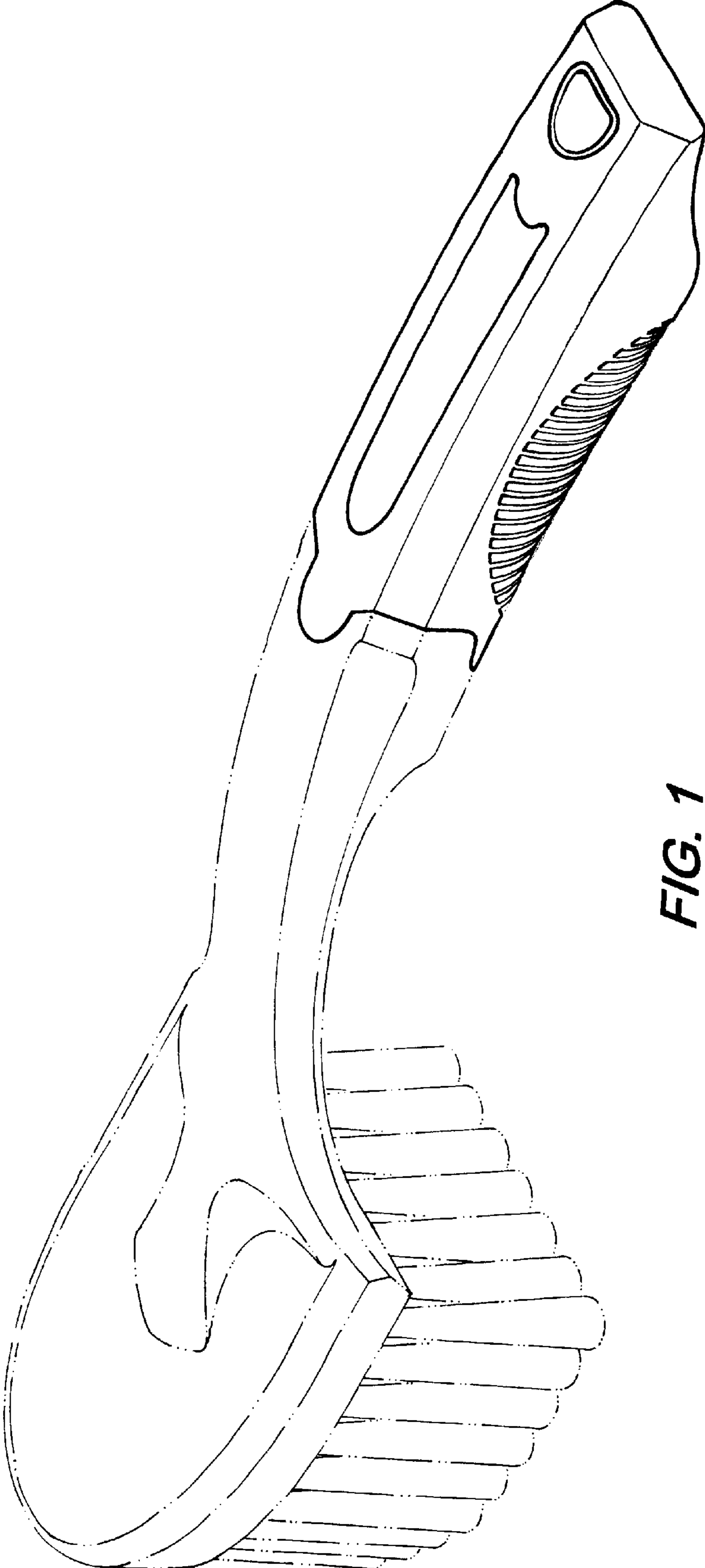


FIG. 1

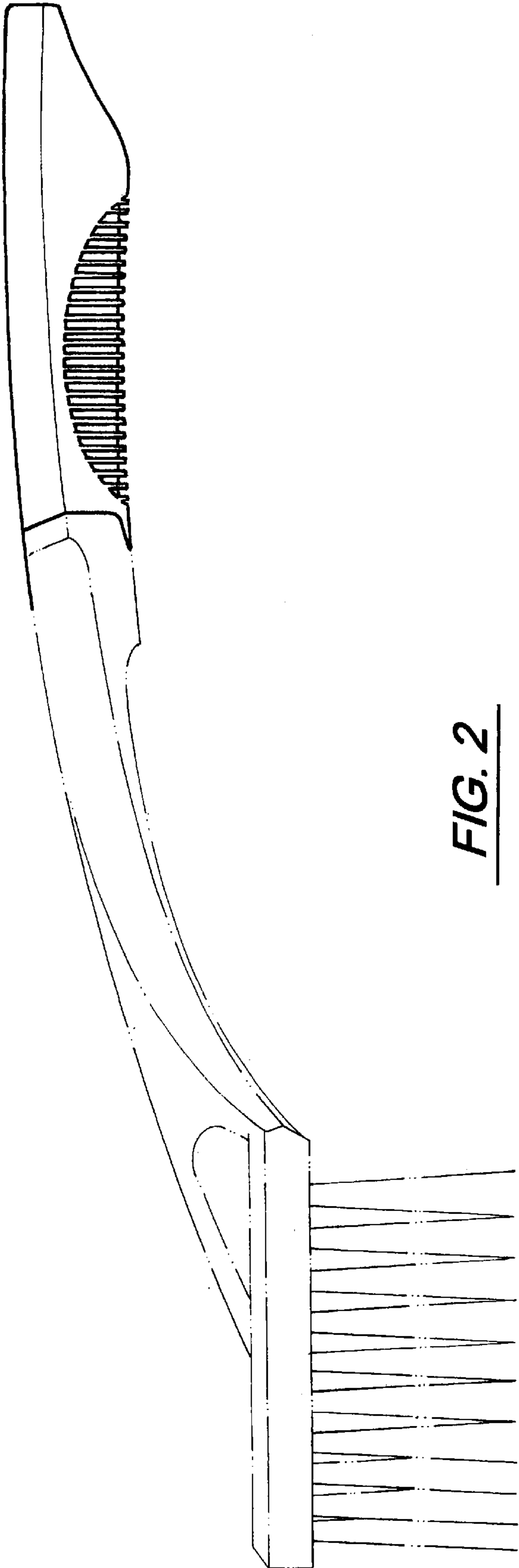


FIG. 2

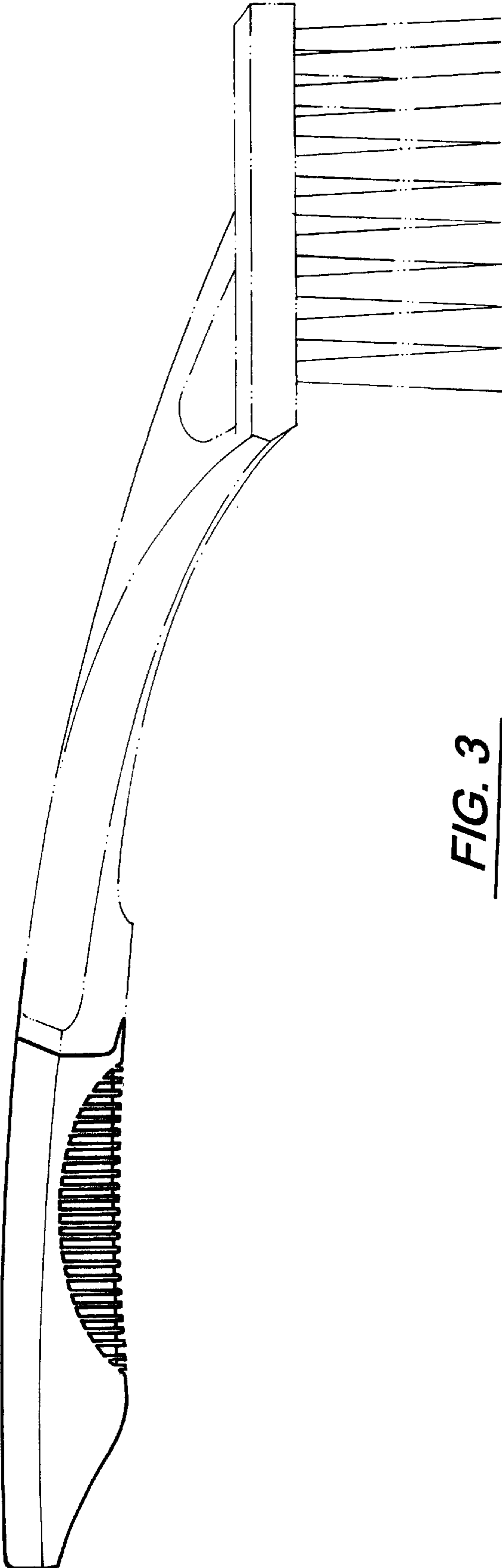


FIG. 3

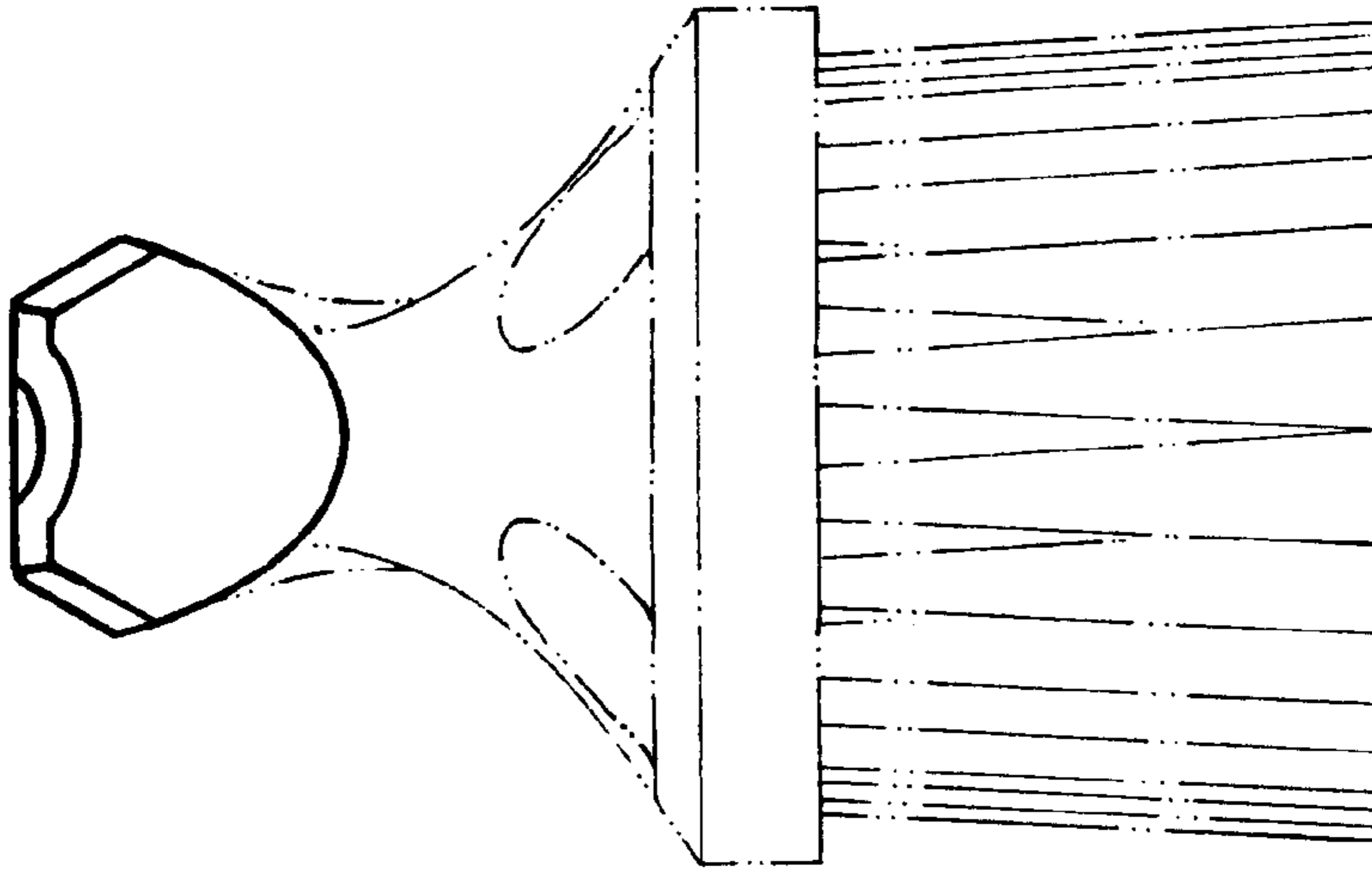


FIG. 5

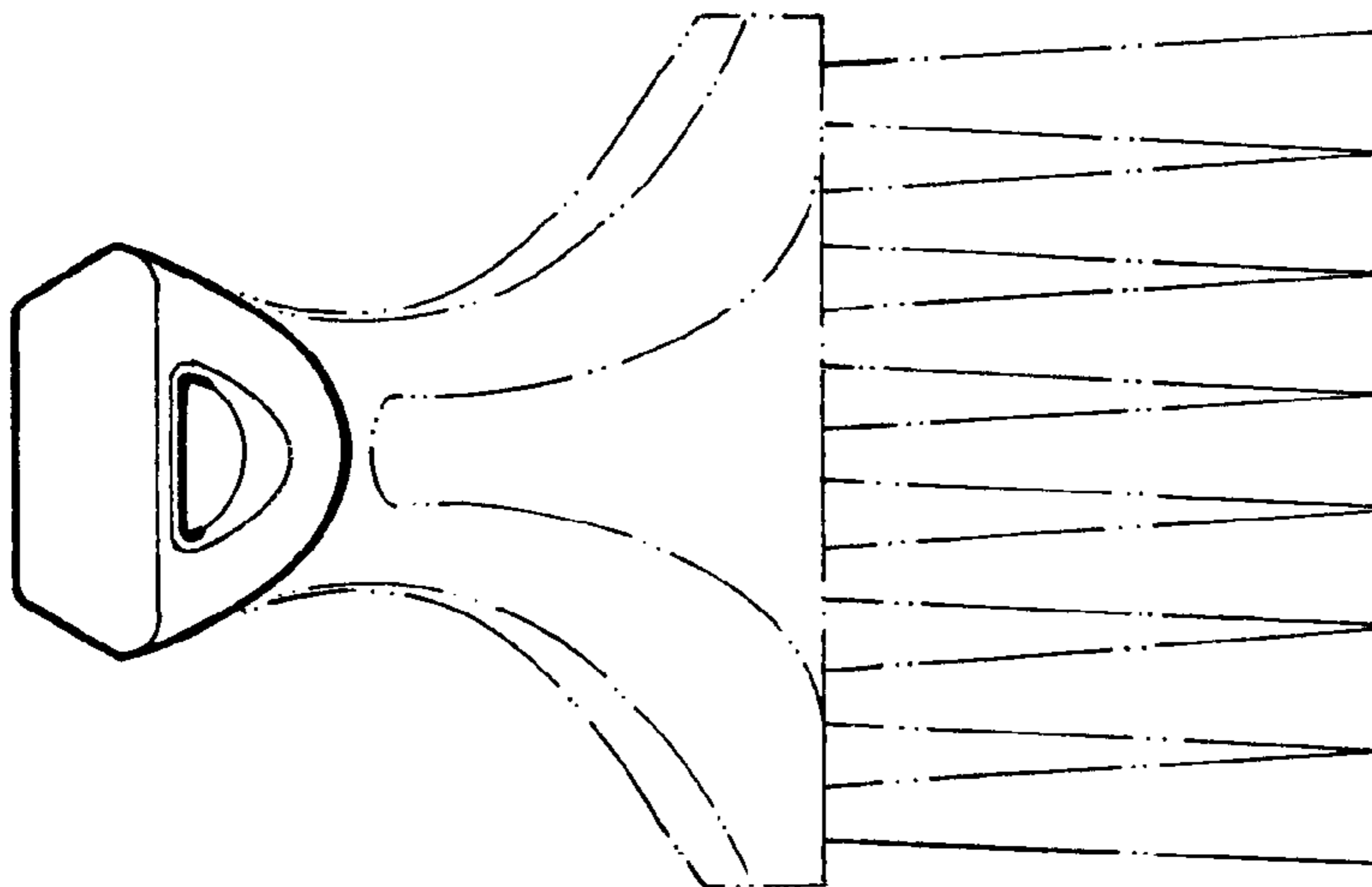


FIG. 4

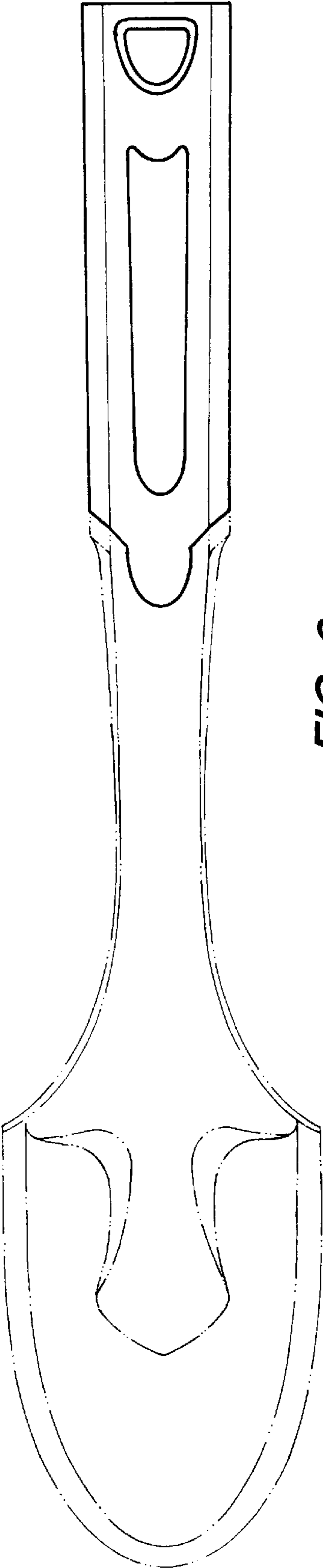


FIG. 6

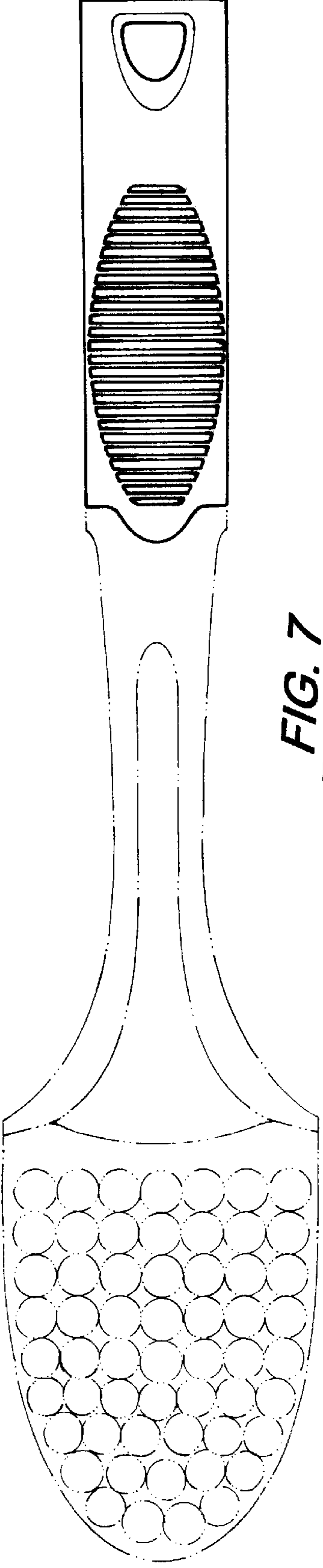


FIG. 7