



US00D514315S

(12) **United States Design Patent**
Lai

(10) **Patent No.:** **US D514,315 S**
(45) **Date of Patent:** **** Feb. 7, 2006**

(54) **TOOL BOX**

(75) **Inventor:** **Mei-Hsiang Lai, Taichung (TW)**

(73) **Assignee:** **Eagle Tool Co., Ltd., Taichung (TW)**

(**) **Term:** **14 Years**

(21) **Appl. No.:** **29/211,331**

(22) **Filed:** **Aug. 12, 2004**

(51) **LOC (8) Cl.** **03-01**

(52) **U.S. Cl.** **D3/276; D3/294; D3/905**

(58) **Field of Classification Search** **D3/273,**
D3/276, 281, 282, 283, 394, 395, 905; 312/902;
206/349, 372, 373, 379; 190/100, 109, 110
See application file for complete search history.

(56) **References Cited**

U.S. PATENT DOCUMENTS

D308,750 S	*	6/1990	Hillinger	D3/294
D318,367 S	*	7/1991	Chen	D3/294
D326,279 S	*	5/1992	Logan	D19/36
D328,189 S	*	7/1992	Hillinger	D3/282

D328,390 S	*	8/1992	MacDonald et al.	D3/270
D364,958 S	*	12/1995	Chang	D3/276
D385,109 S	*	10/1997	Staheli	D3/281
6,068,123 A	*	5/2000	Chen	206/373
D443,415 S	*	6/2001	Hung	D3/273
D459,580 S	*	7/2002	Chen	D3/282

* cited by examiner

Primary Examiner—Philip S. Hyder

(74) *Attorney, Agent, or Firm*—Charles E. Baxley

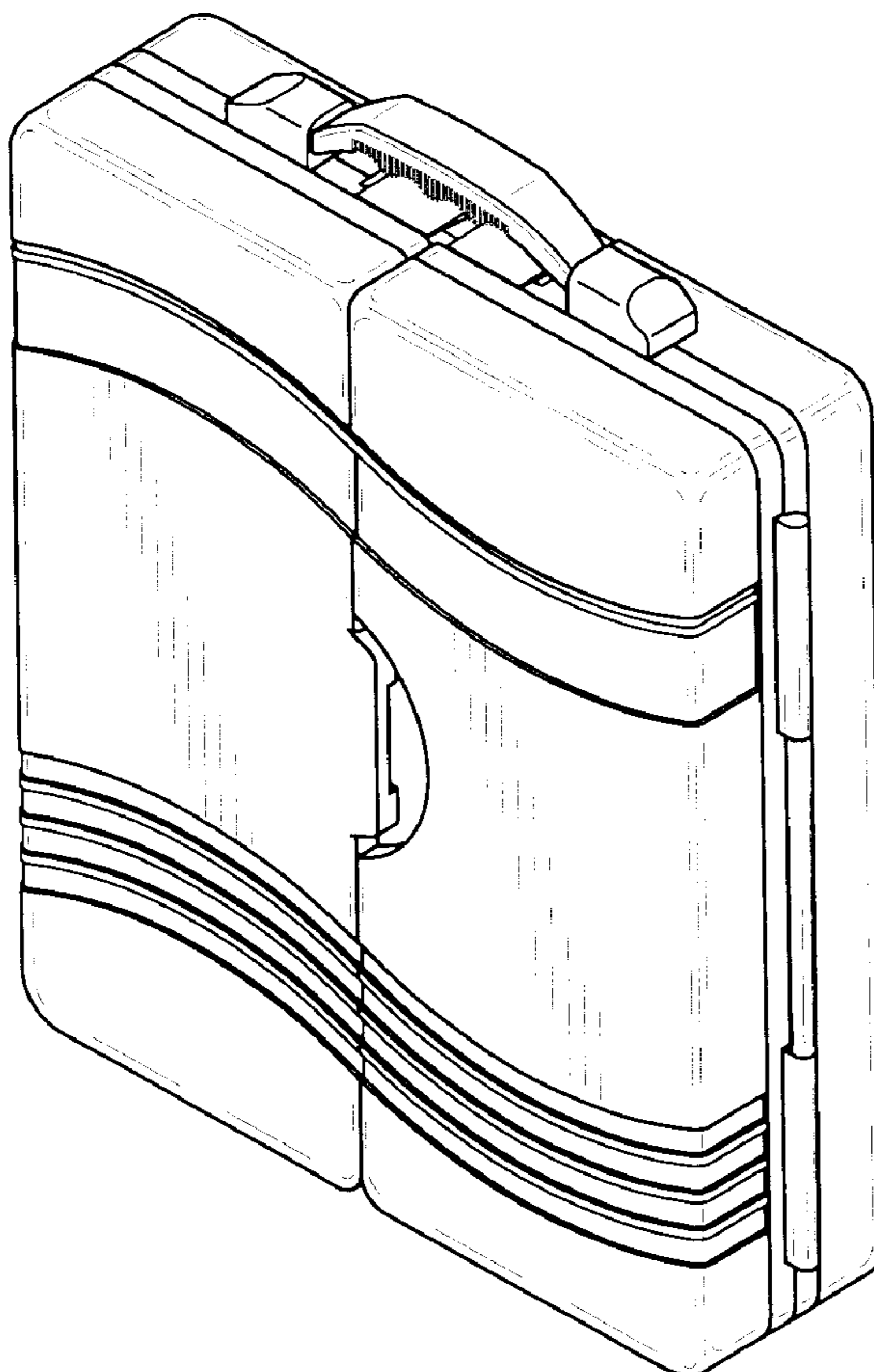
(57) **CLAIM**

The ornamental design for a tool box, as shown.

DESCRIPTION

FIG. 1 is a perspective view of a tool box showing my new design thereof;
FIG. 2 is a front elevational view thereof;
FIG. 3 is a rear elevational view thereof;
FIG. 4 is a left side elevational view thereof;
FIG. 5 is a right side elevational view thereof;
FIG. 6 is a top plan view thereof; and,
FIG. 7 is a bottom plan view thereof.

1 Claim, 4 Drawing Sheets



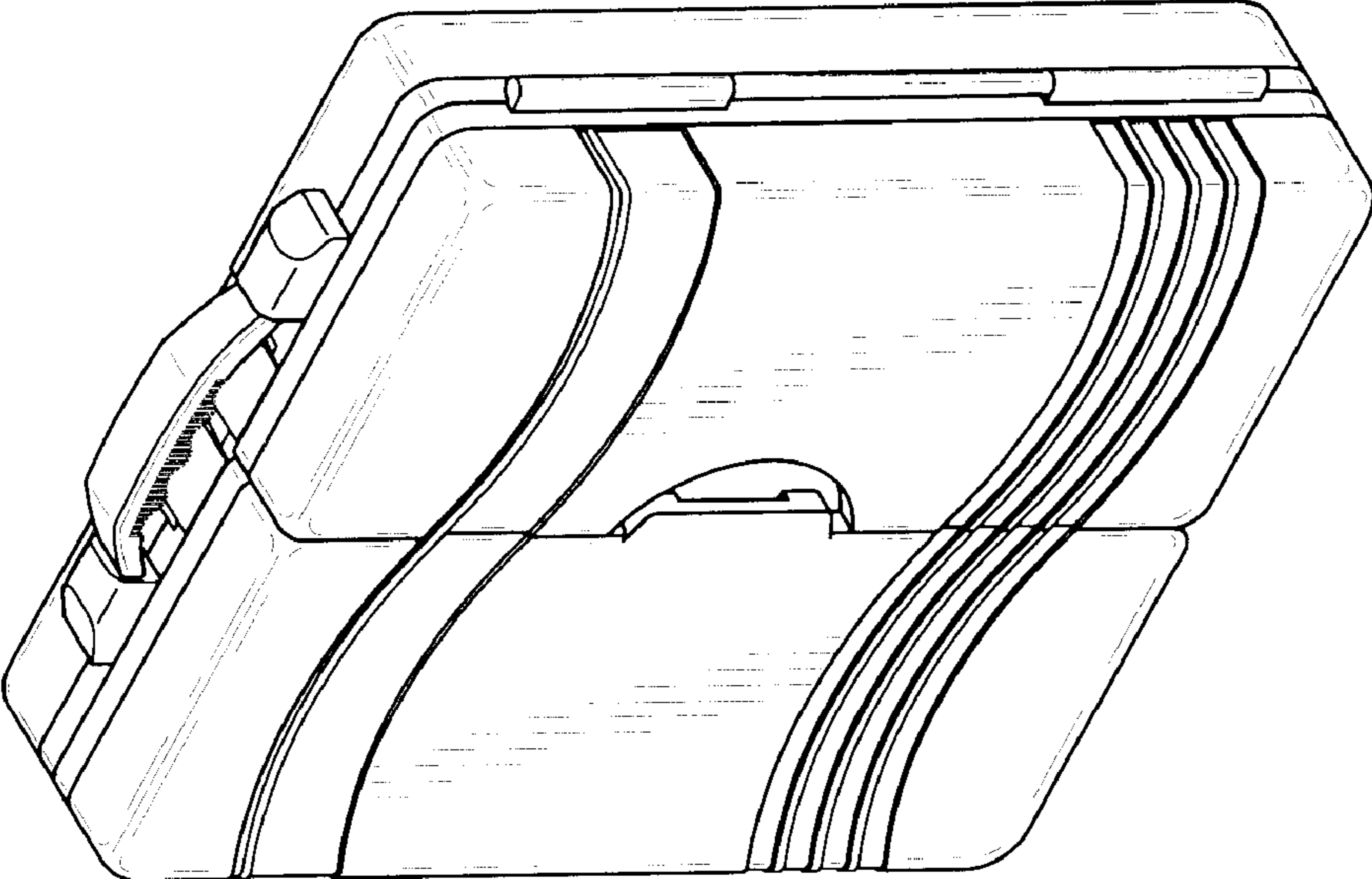


FIG. 1

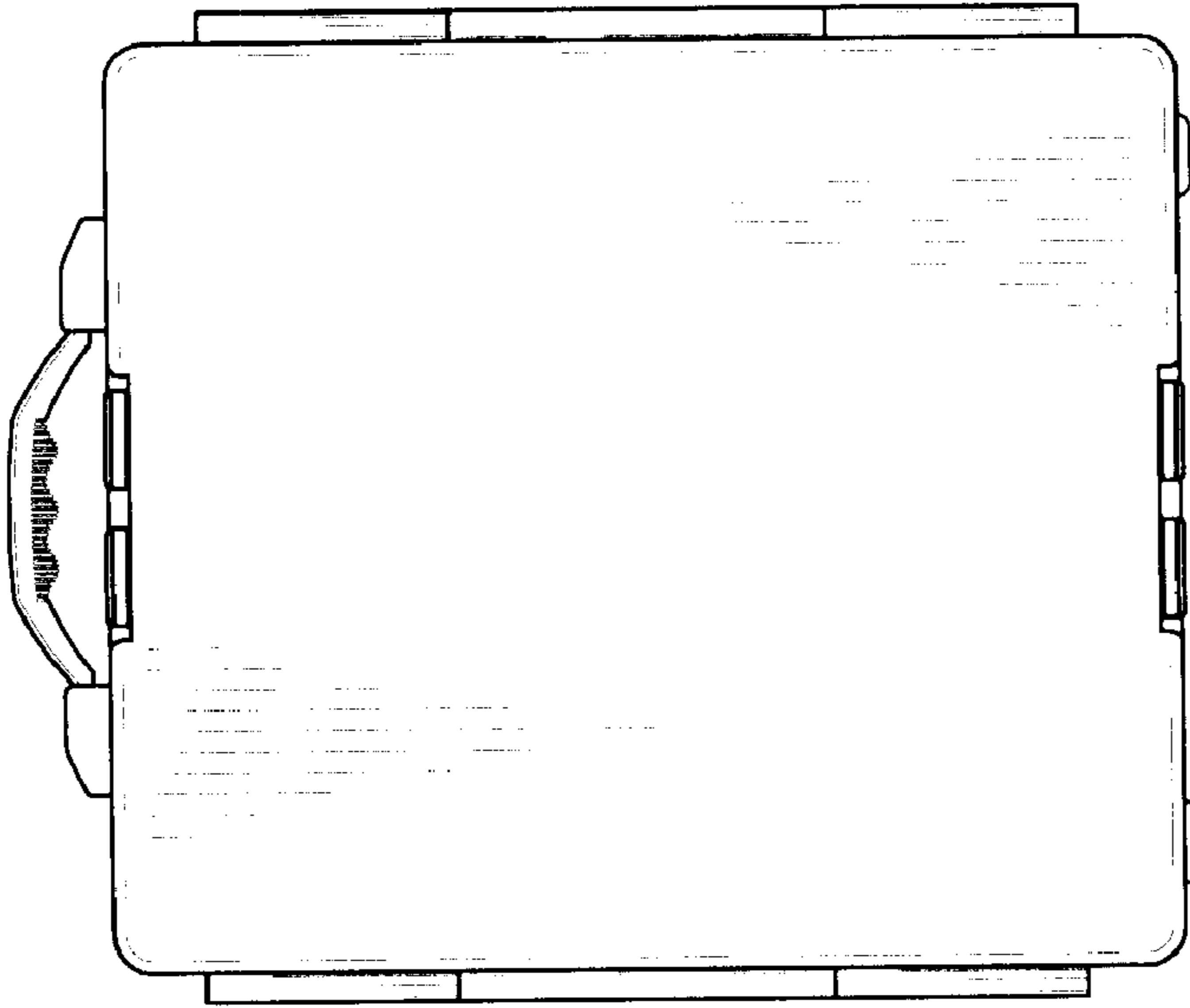


FIG.3

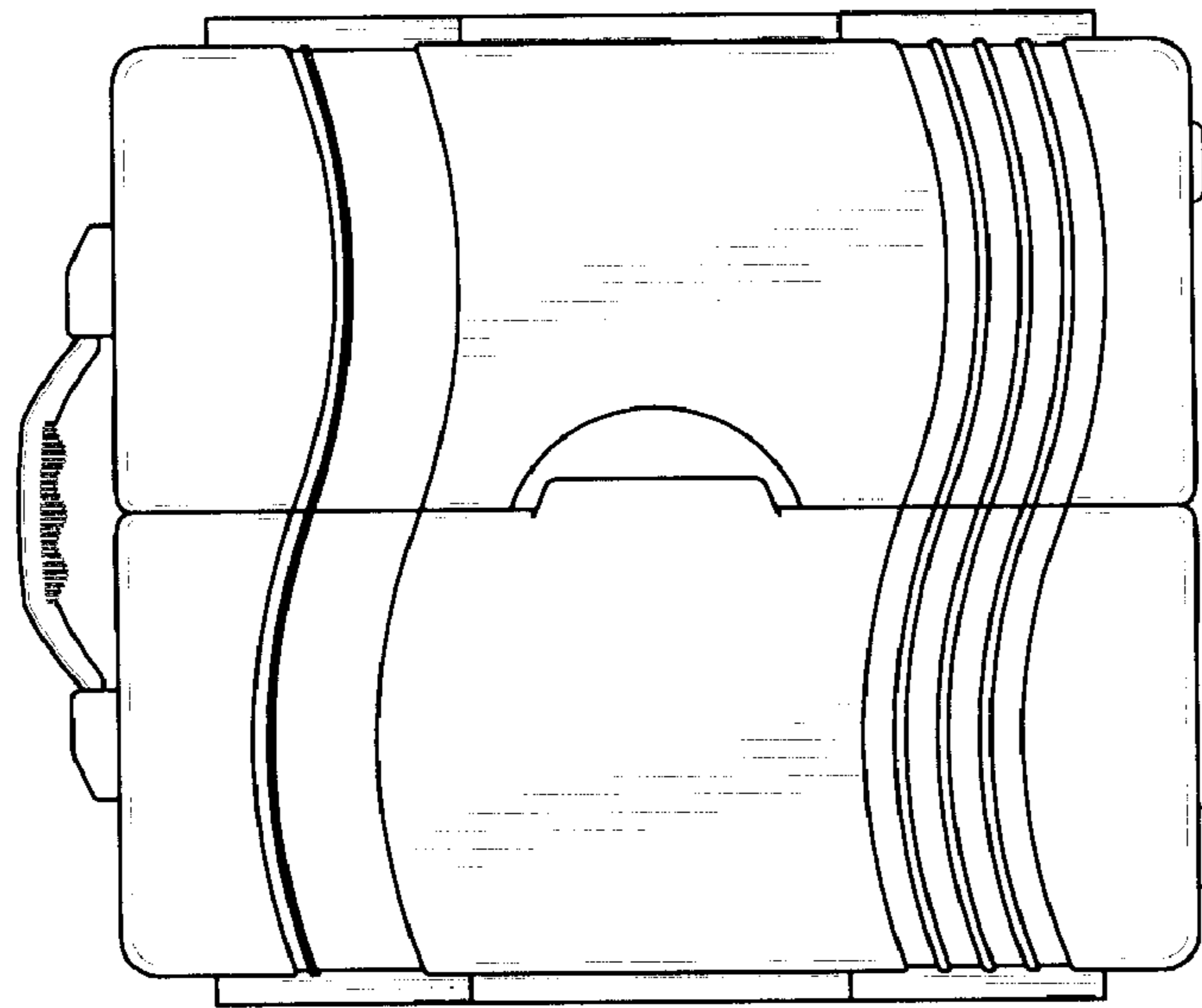


FIG.2

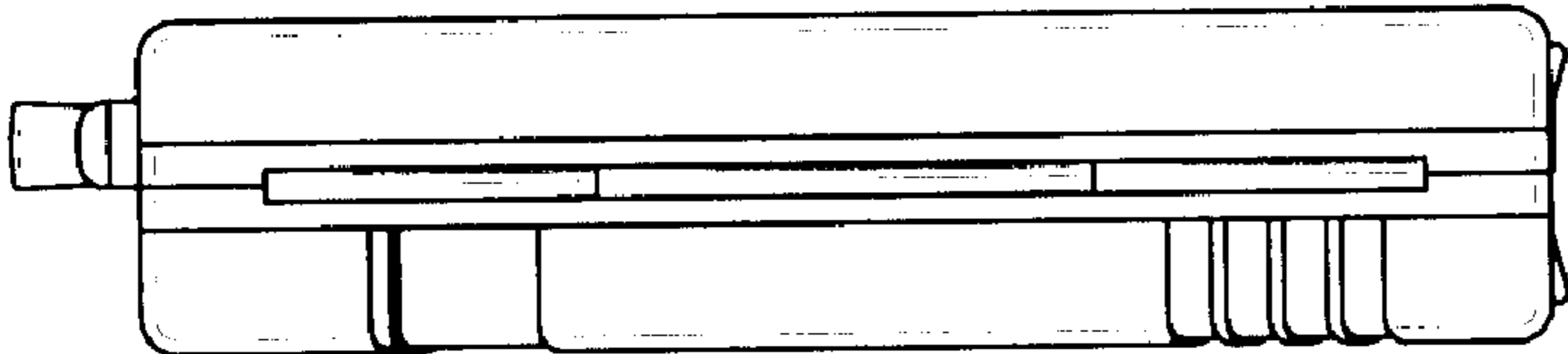


FIG. 5

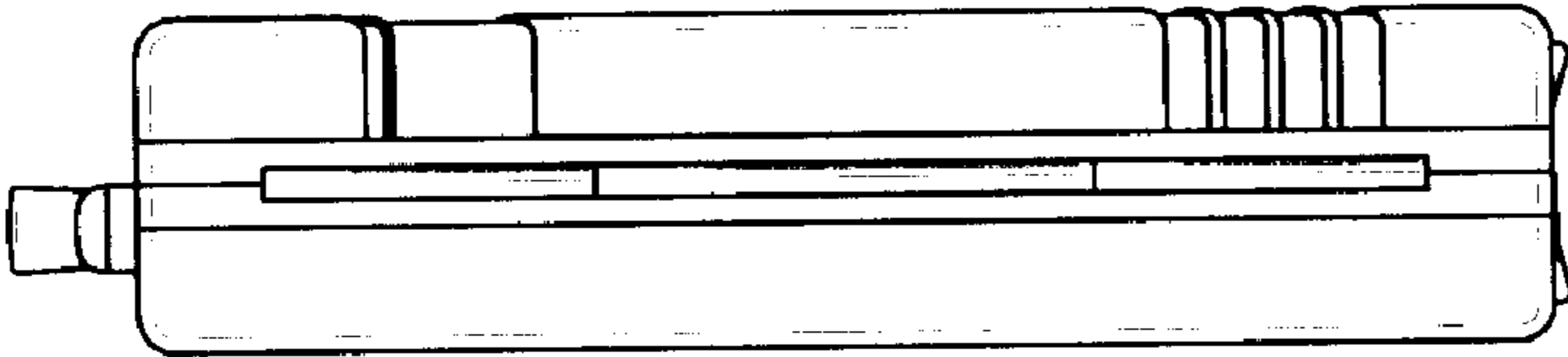


FIG. 4

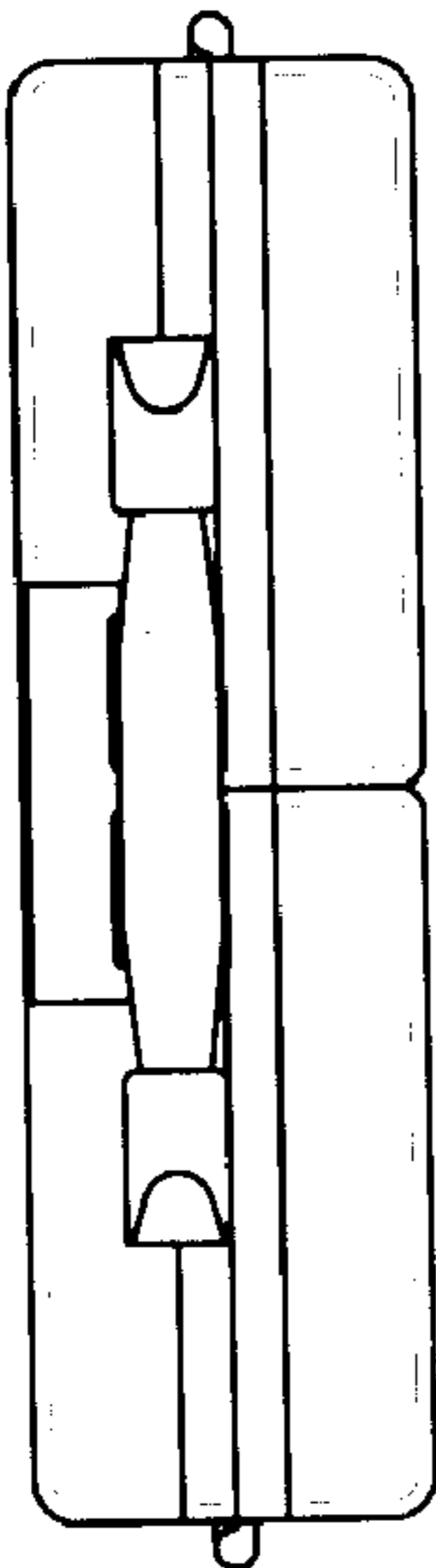


FIG. 6

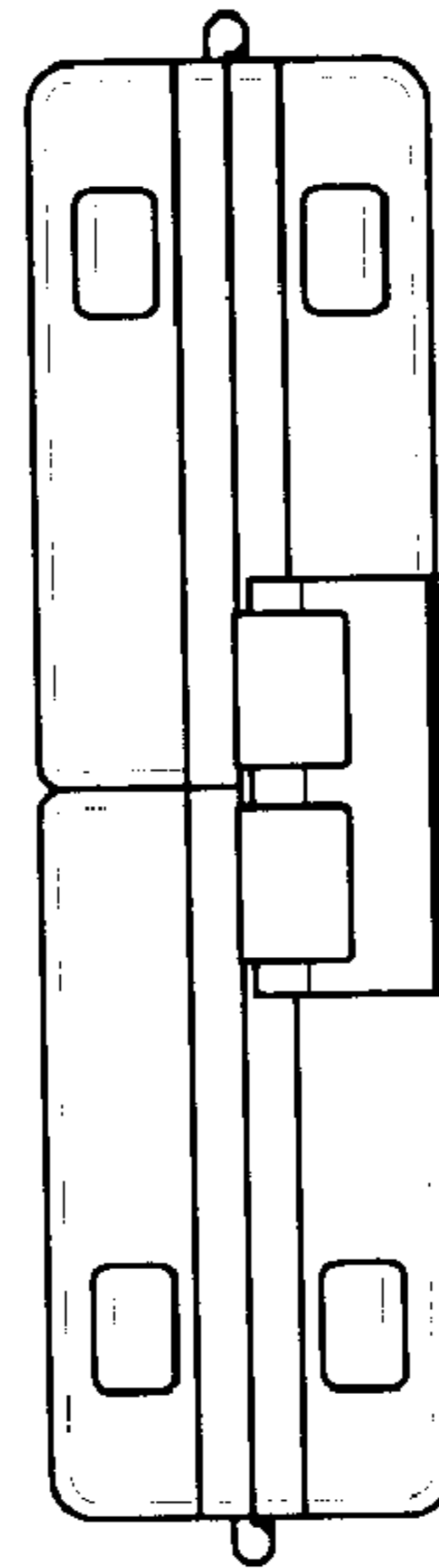


FIG. 7