



US00D514314S

(12) **United States Design Patent**
Singh et al.

(10) **Patent No.: US D514,314 S**

(45) **Date of Patent: ** Feb. 7, 2006**

(54) **HOUSEHOLD TOOL KIT**

(75) Inventors: **Satnam Singh, Waterloo (CA); Jose Antonio Barrios, Waterloo (CA)**

(73) Assignee: **Maxtech Manufacturing Inc., Waterloo (CA)**

(**) Term: **14 Years**

(21) Appl. No.: **29/190,784**

(22) Filed: **Sep. 29, 2003**

(51) **LOC (8) Cl. 03-01**

(52) **U.S. Cl. D3/276; D3/283; D3/294; D3/905**

(58) **Field of Classification Search D3/272, D3/273, 274, 276, 281, 282, 283, 291, 294, D3/905, 349, 373, 372; 312/902; 220/752, 220/770, 835; 190/100, 110**
See application file for complete search history.

(56) **References Cited**

U.S. PATENT DOCUMENTS

4,848,626 A	7/1989	Waters	
5,094,375 A	3/1992	Wright	
D326,559 S	* 6/1992	Szablak et al.	D3/281
D326,775 S	* 6/1992	Skillius	D3/281
D331,317 S	* 12/1992	Tsai	D3/281
5,176,281 A	1/1993	Fiore	
D335,960 S	* 6/1993	Kahl et al.	D7/709
5,386,907 A	* 2/1995	Kahl et al.	206/315.11
D364,426 S	* 11/1995	Bucaccio	D19/75
5,685,421 A	11/1997	Gilmore	
D389,309 S	* 1/1998	Shaw	D3/294
D394,280 S	* 5/1998	Cheris et al.	D19/75
5,826,718 A	10/1998	Ahern, Jr. et al.	
5,873,463 A	2/1999	Purcell	
5,882,097 A	3/1999	Kohagen et al.	

5,906,291 A	5/1999	Mann et al.	
D440,401 S	* 4/2001	Pauser et al.	D3/276
D459,073 S	* 6/2002	Lee	D3/276

* cited by examiner

Primary Examiner—Philip S. Hyder
(74) *Attorney, Agent, or Firm*—R. Craig Armstrong; Borden Ladner Gervais LLP

(57) **CLAIM**

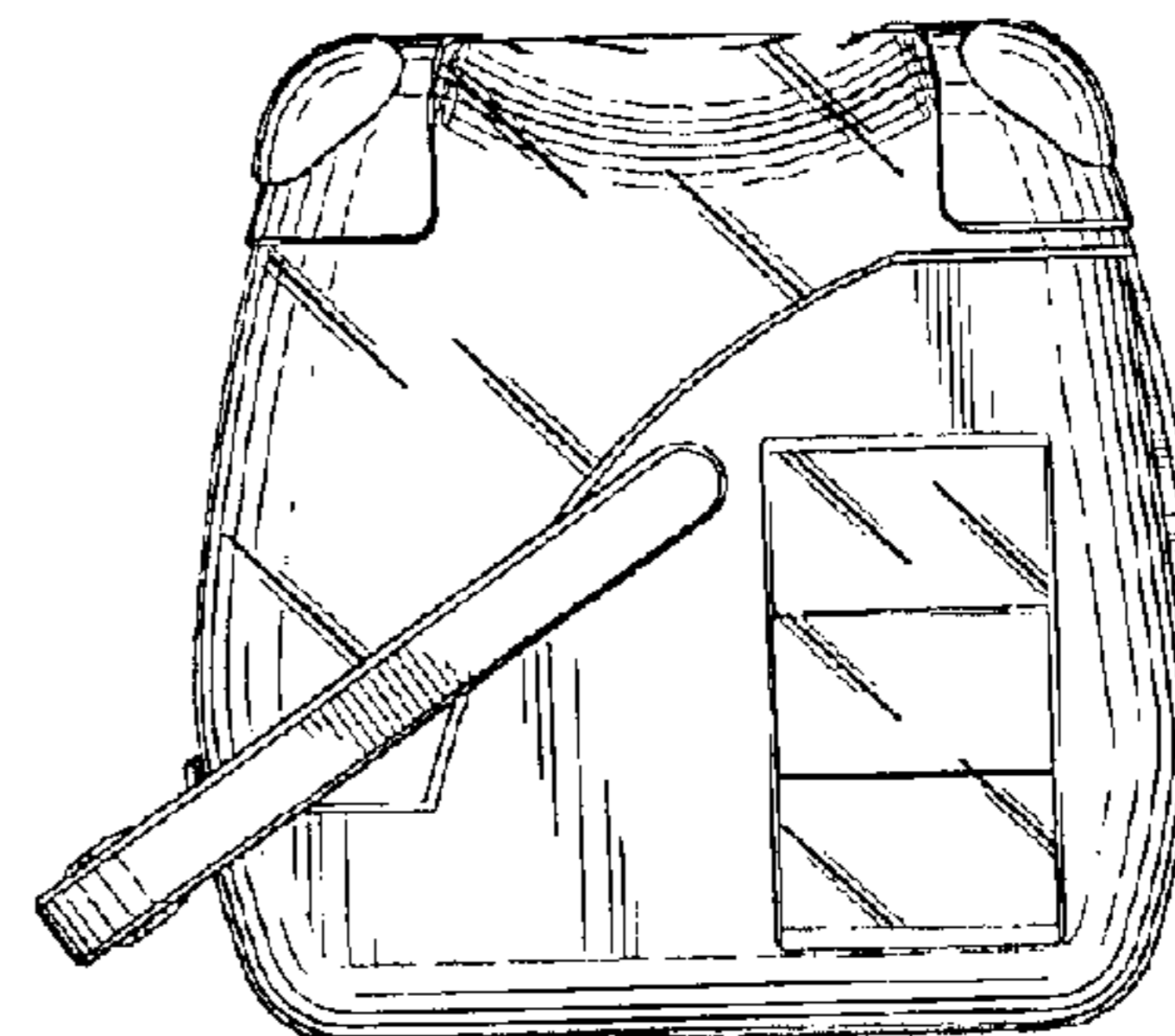
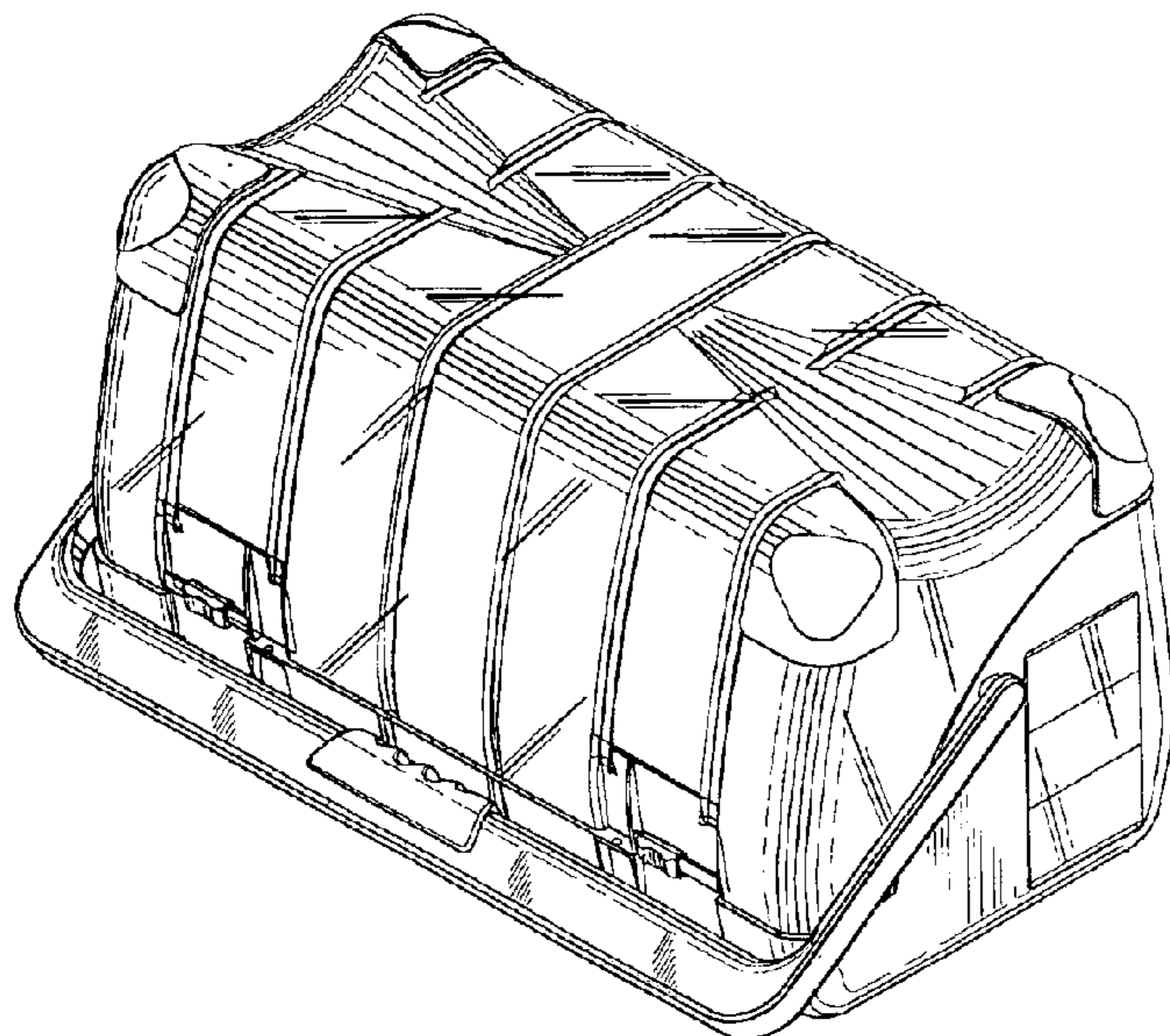
We claim the ornamental design for household tool kit, as shown and described.

DESCRIPTION

FIG. 1 is a perspective view of the front of the tool case; FIG. 2 is a bottom perspective view of rear of the tool case; FIG. 3 is a top view of the tool case; FIG. 4 is a front view of the tool case; FIG. 5 is a rear view of the tool case; FIG. 6 is a bottom view of the tool case; FIG. 7 is a left hand side view of the tool case; FIG. 8 is a right hand side view of the tool case; FIG. 9 is a perspective view of the front of the tool case, with the case open; FIG. 10 is a bottom perspective view of the rear of the tool case, with the case open; FIG. 11 is a top view of the tool case, with the case open; FIG. 12 is a front view of the tool case, with the case open; FIG. 13 is a rear view of the tool case, with the case open; FIG. 14 is a bottom view of the tool case, with the case open; FIG. 15 is a left hand side view of the tool case, with the case open; and, FIG. 16 is a right side view of the tool case, with the case open.

The design consists of the visual features of the entirety of the household tool kit as shown in the drawings.

1 Claim, 8 Drawing Sheets



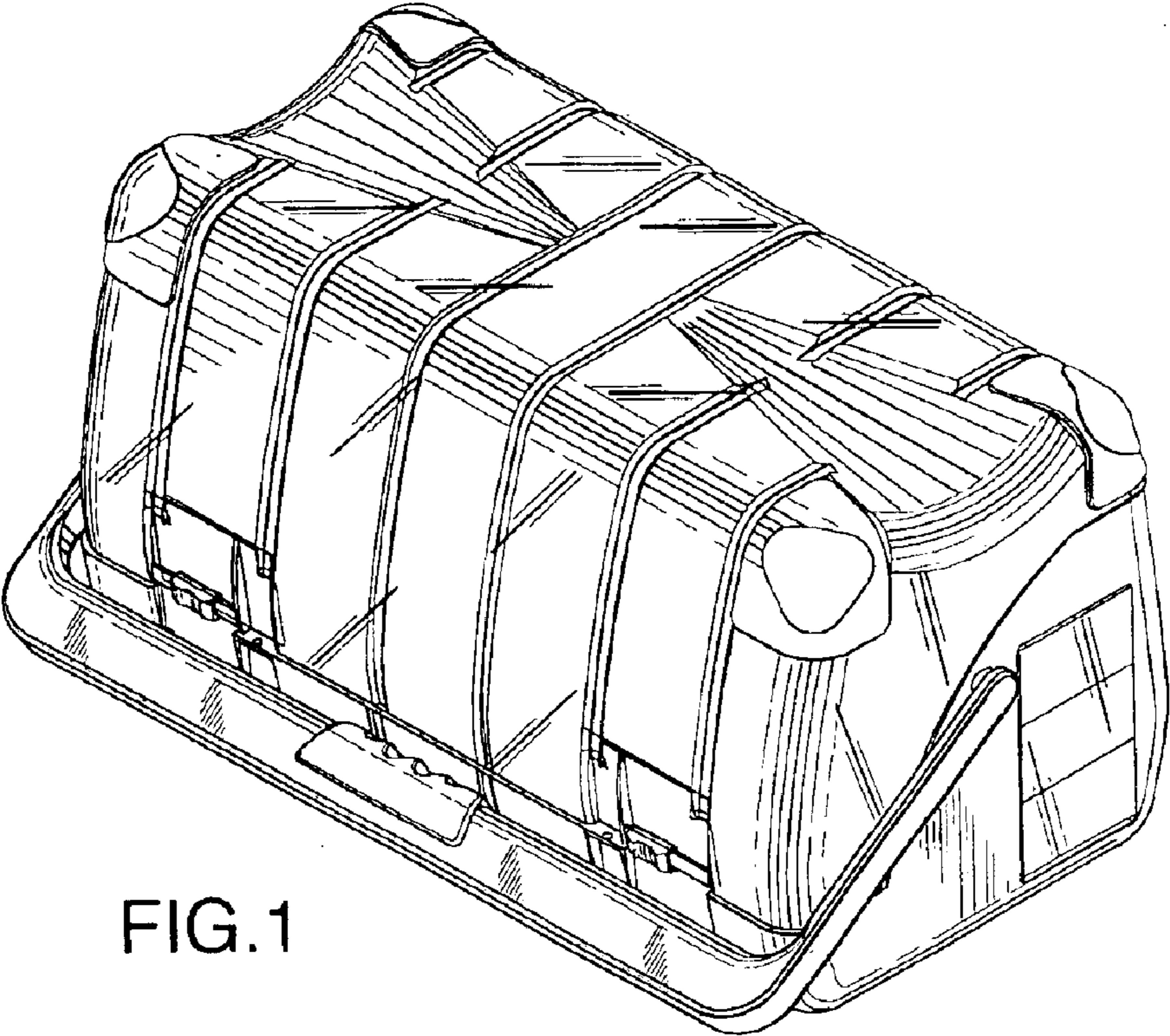


FIG. 1

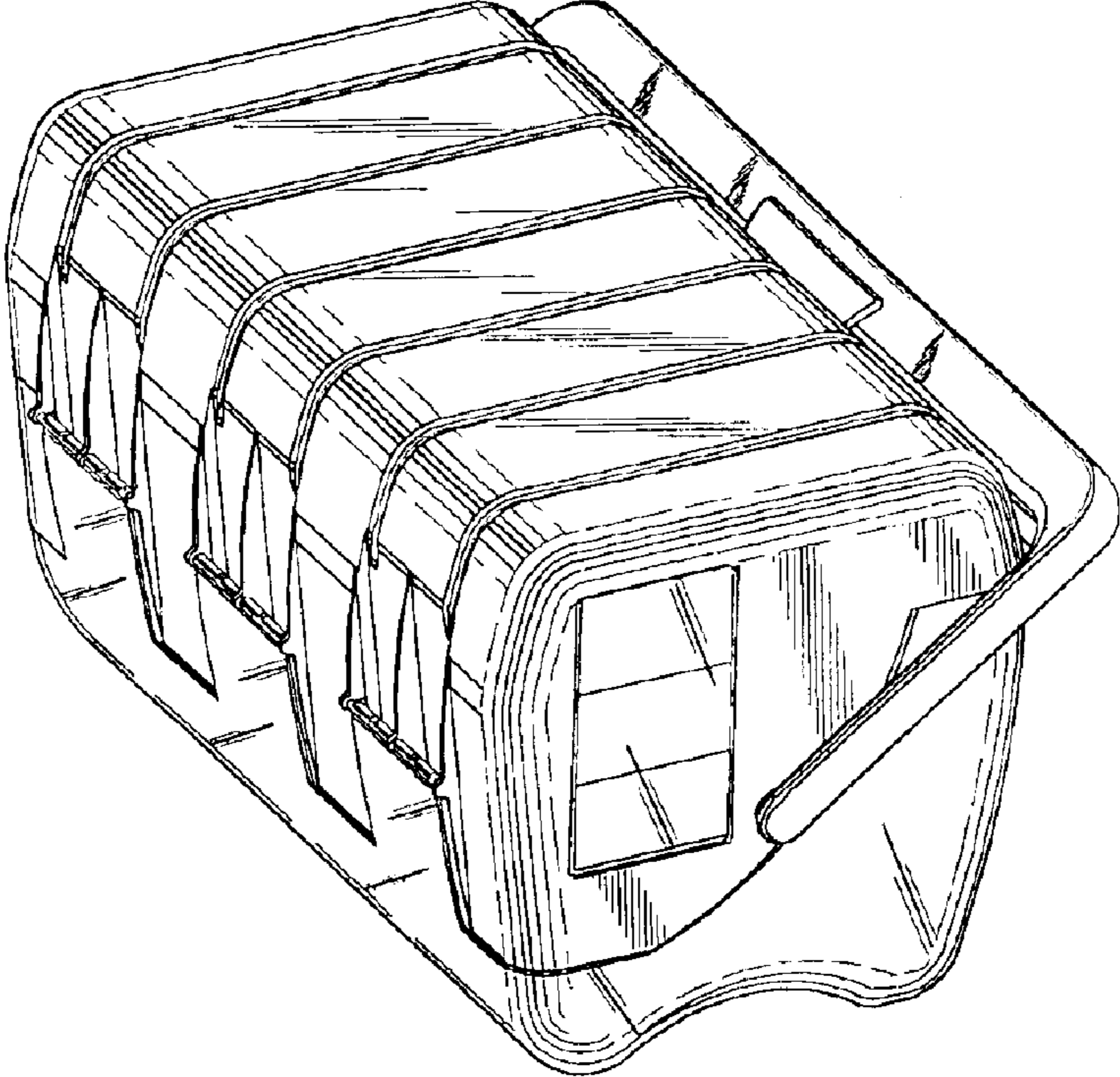


FIG. 2

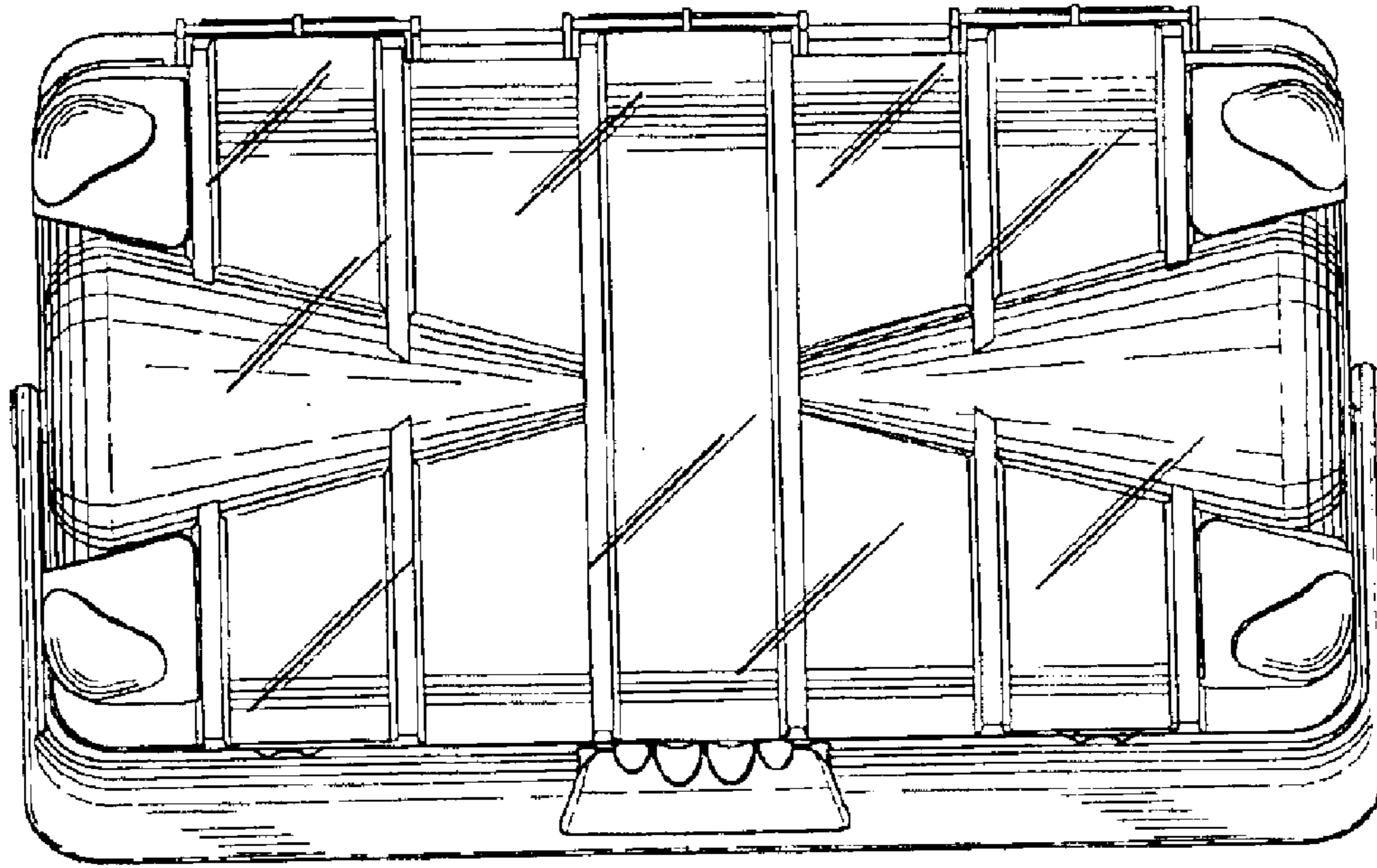


FIG. 3

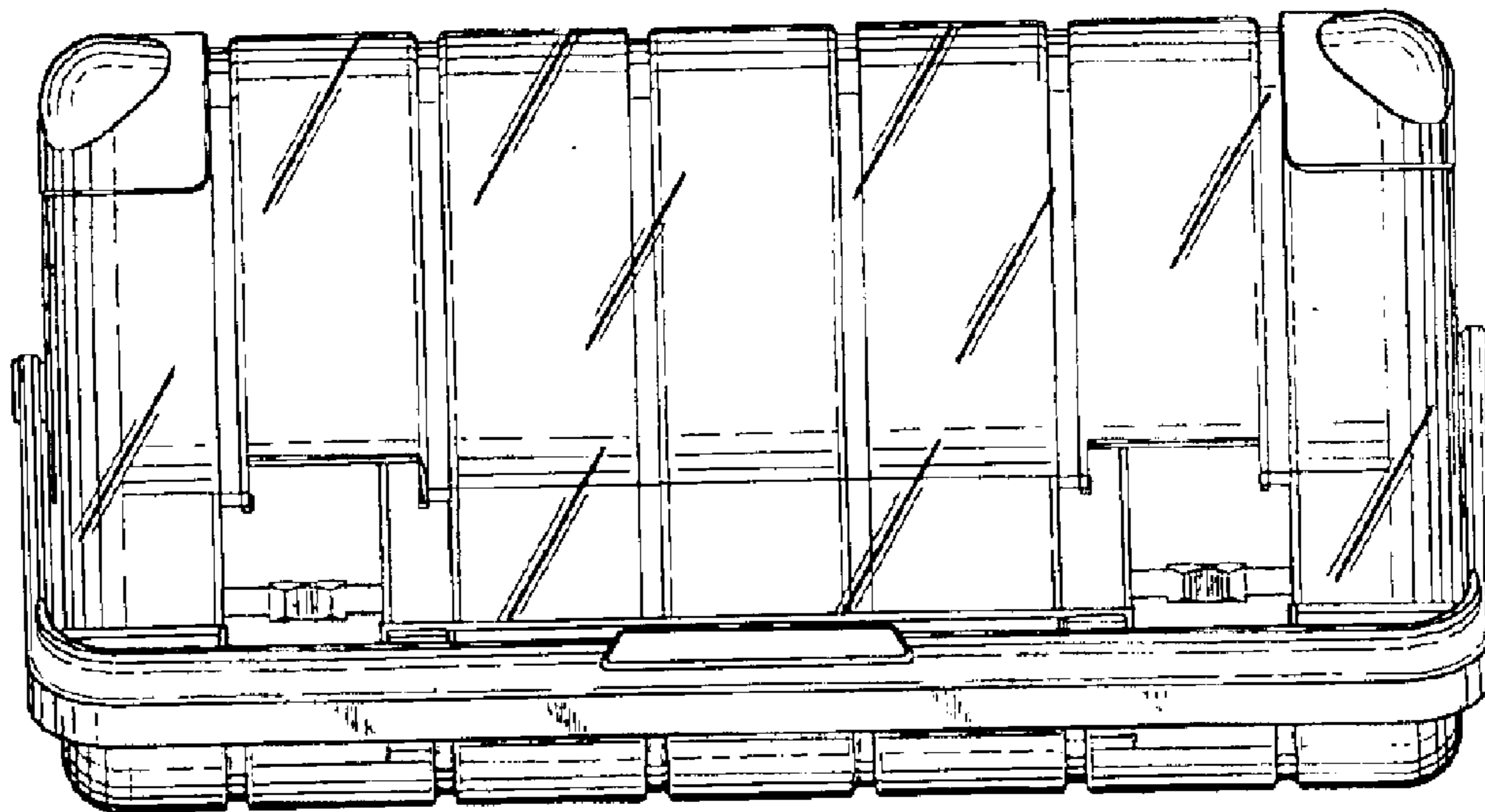


FIG. 4

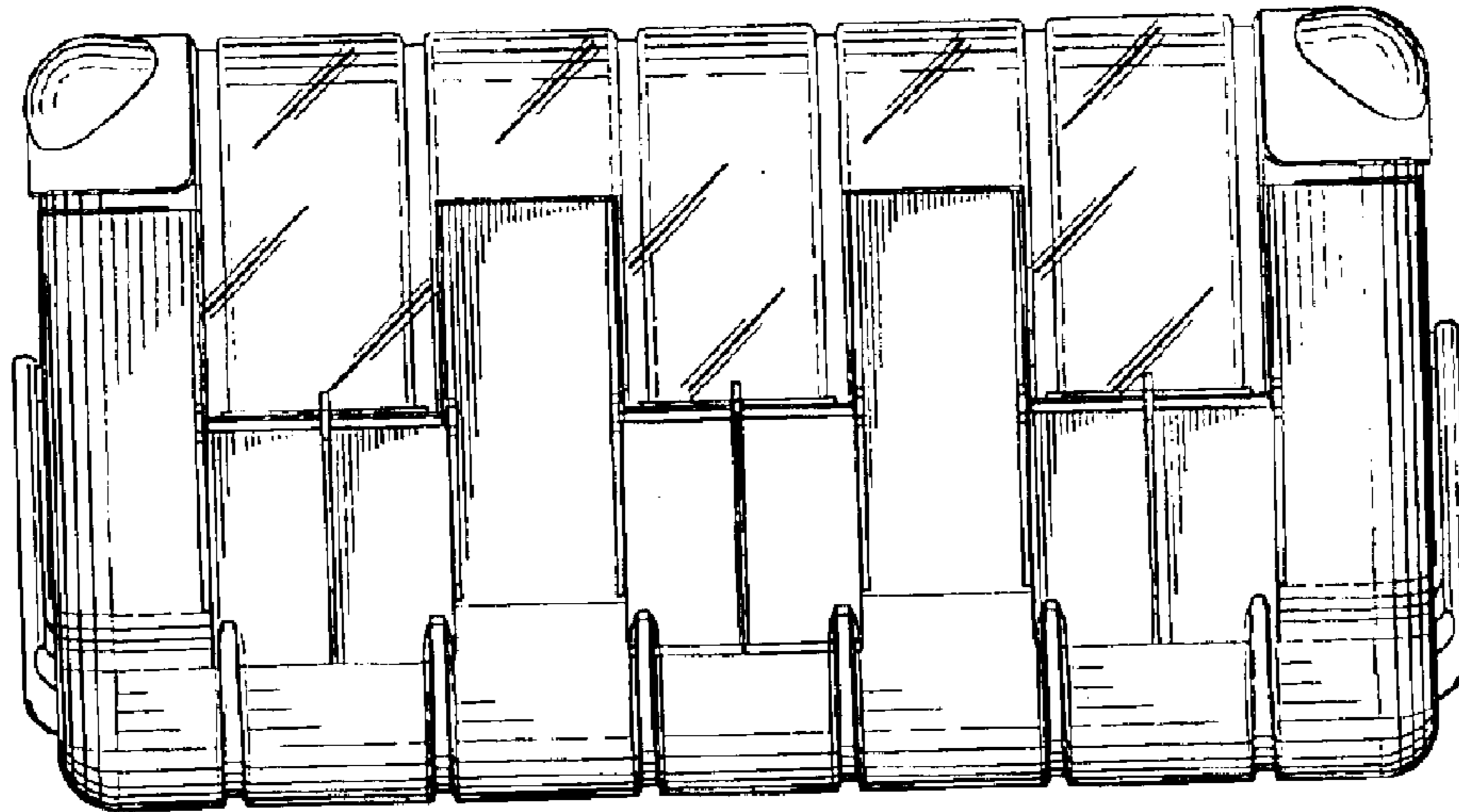


FIG. 5

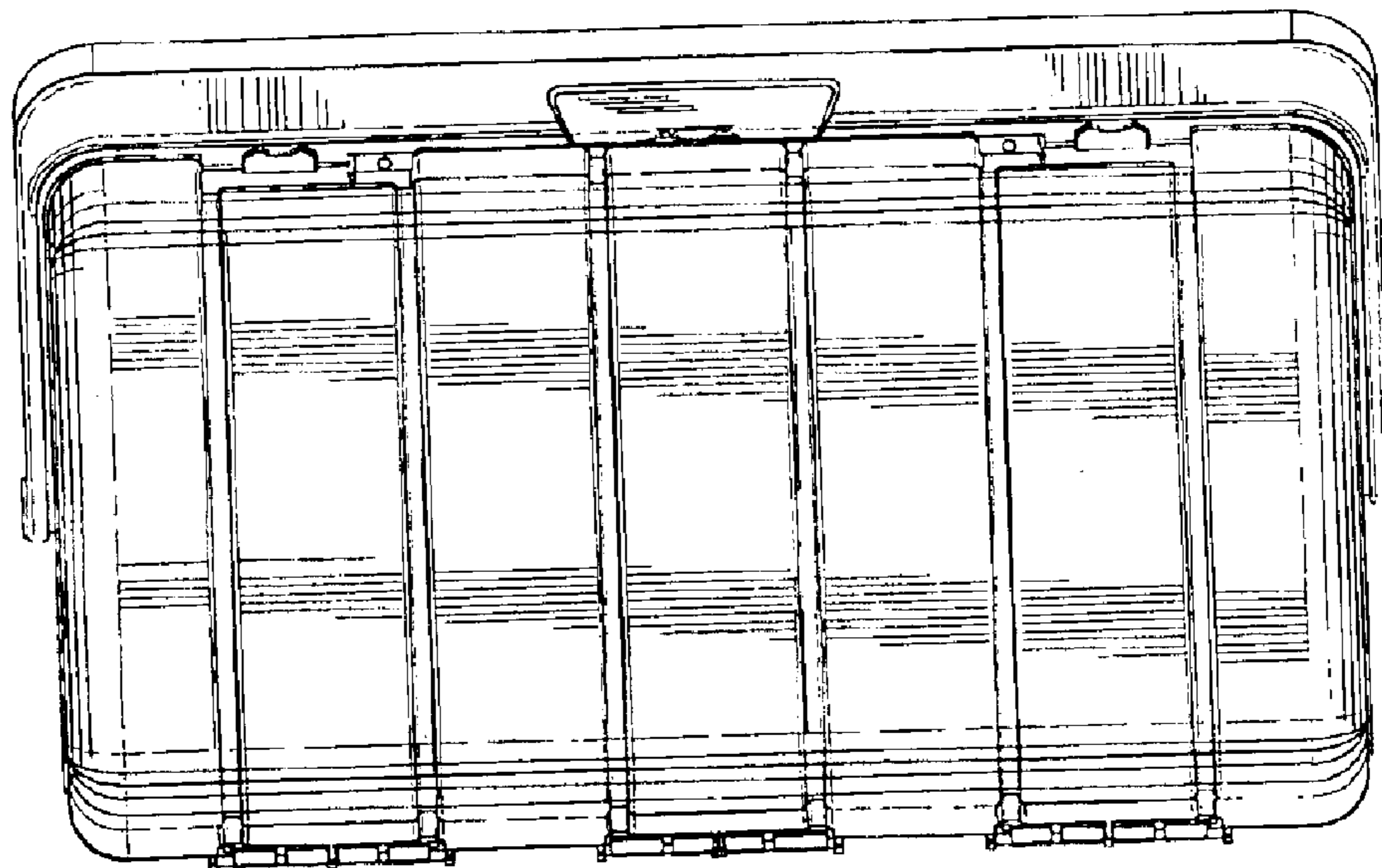


FIG. 6

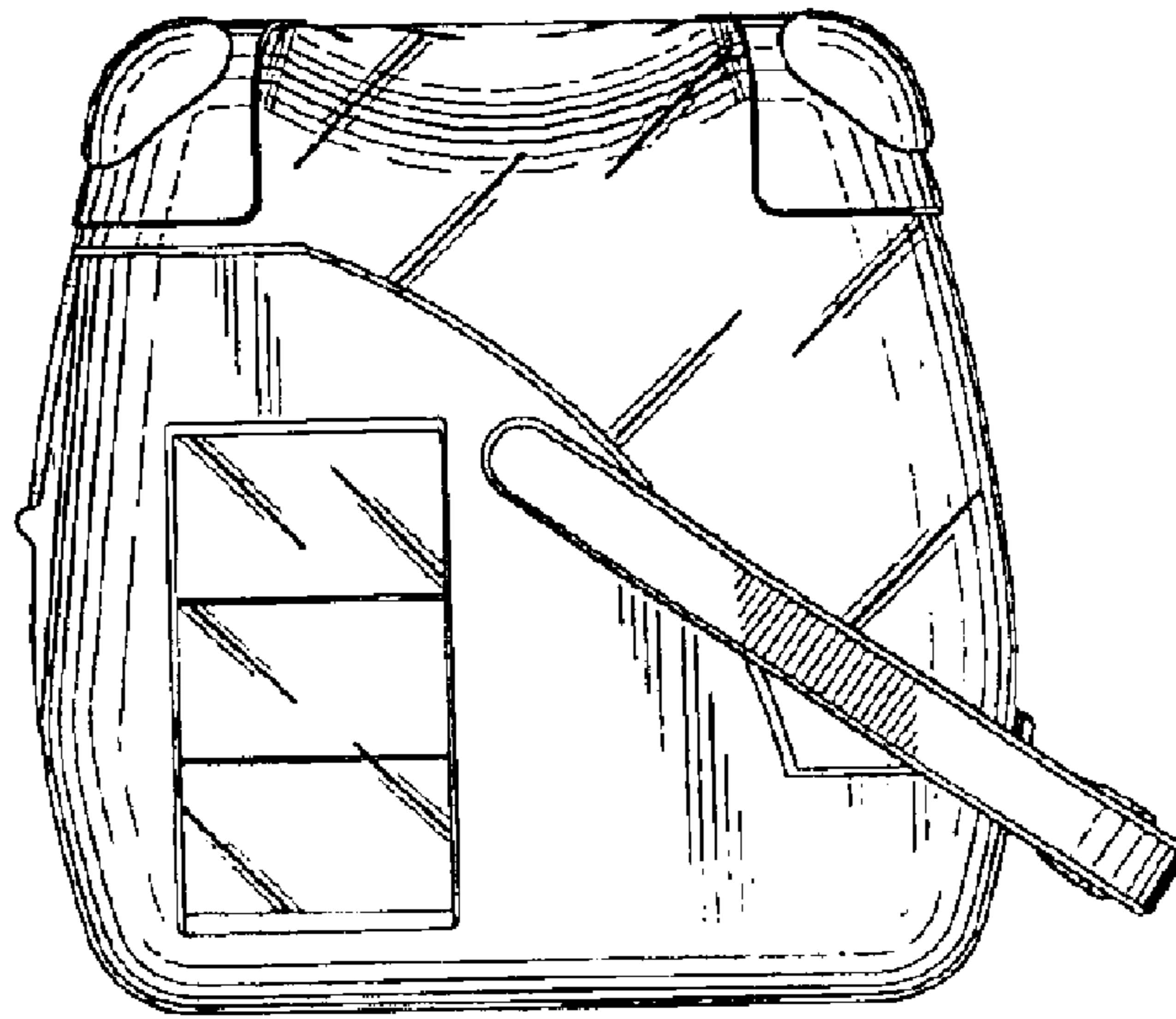


FIG. 7

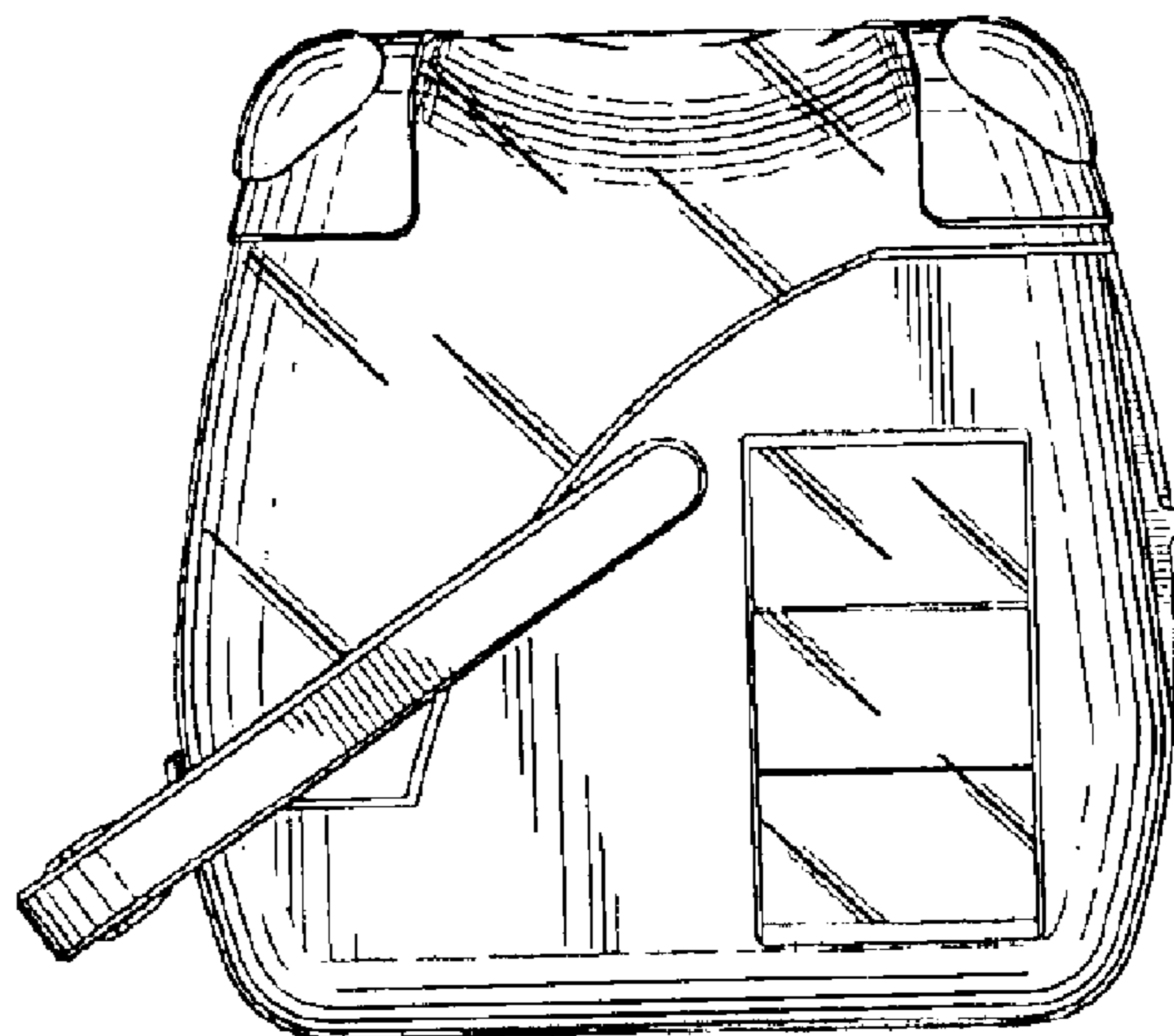


FIG. 8

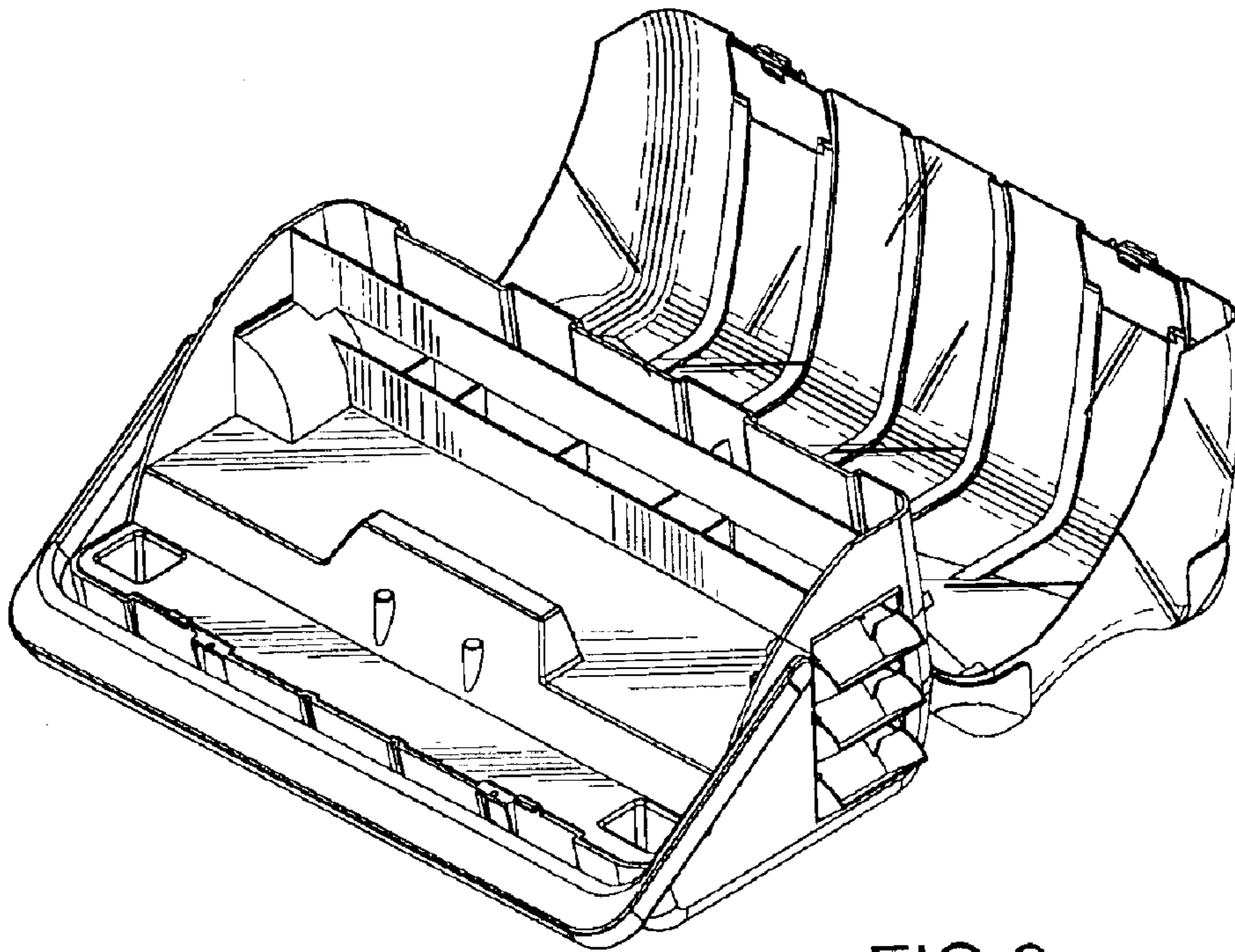


FIG. 9

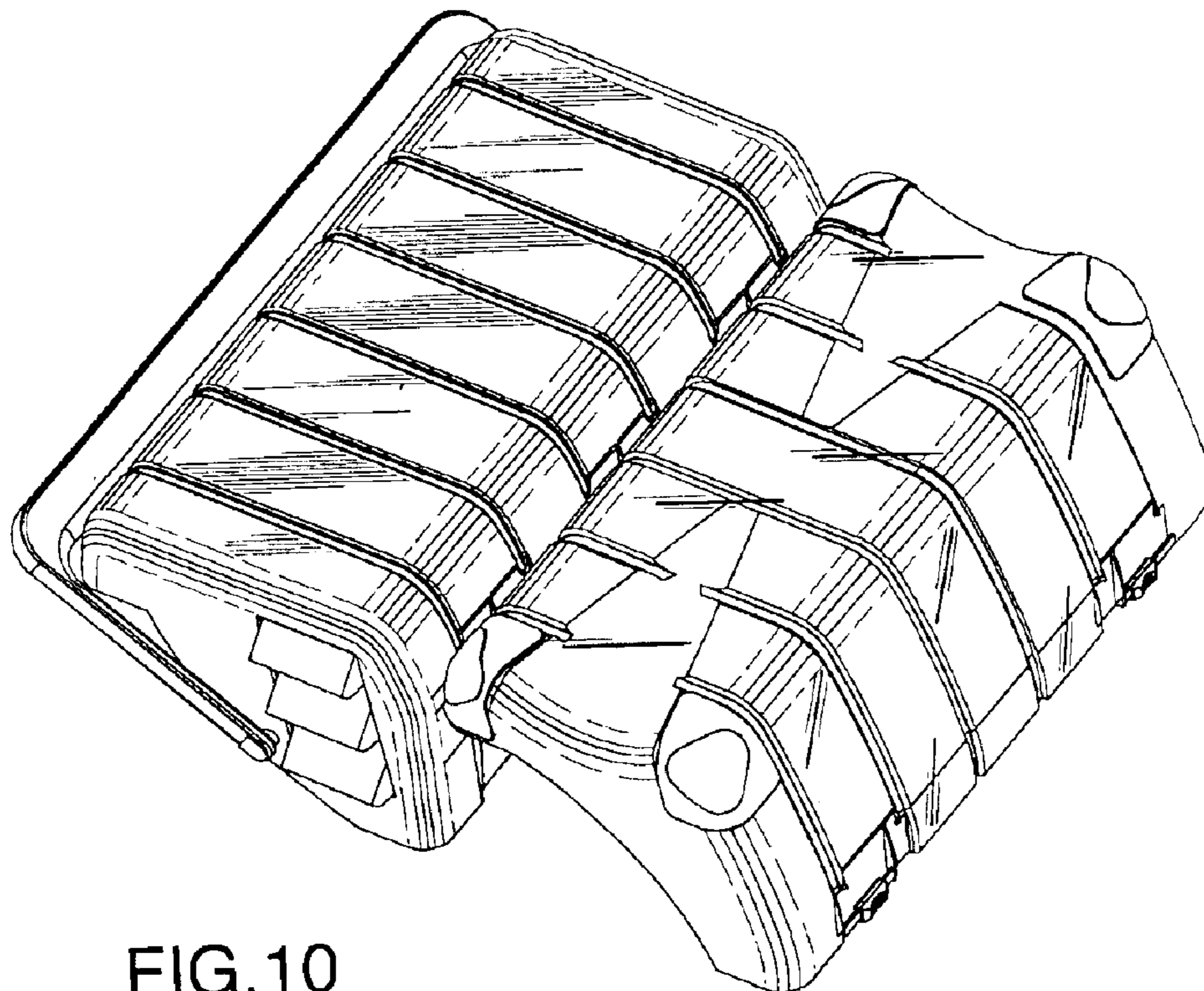


FIG. 10

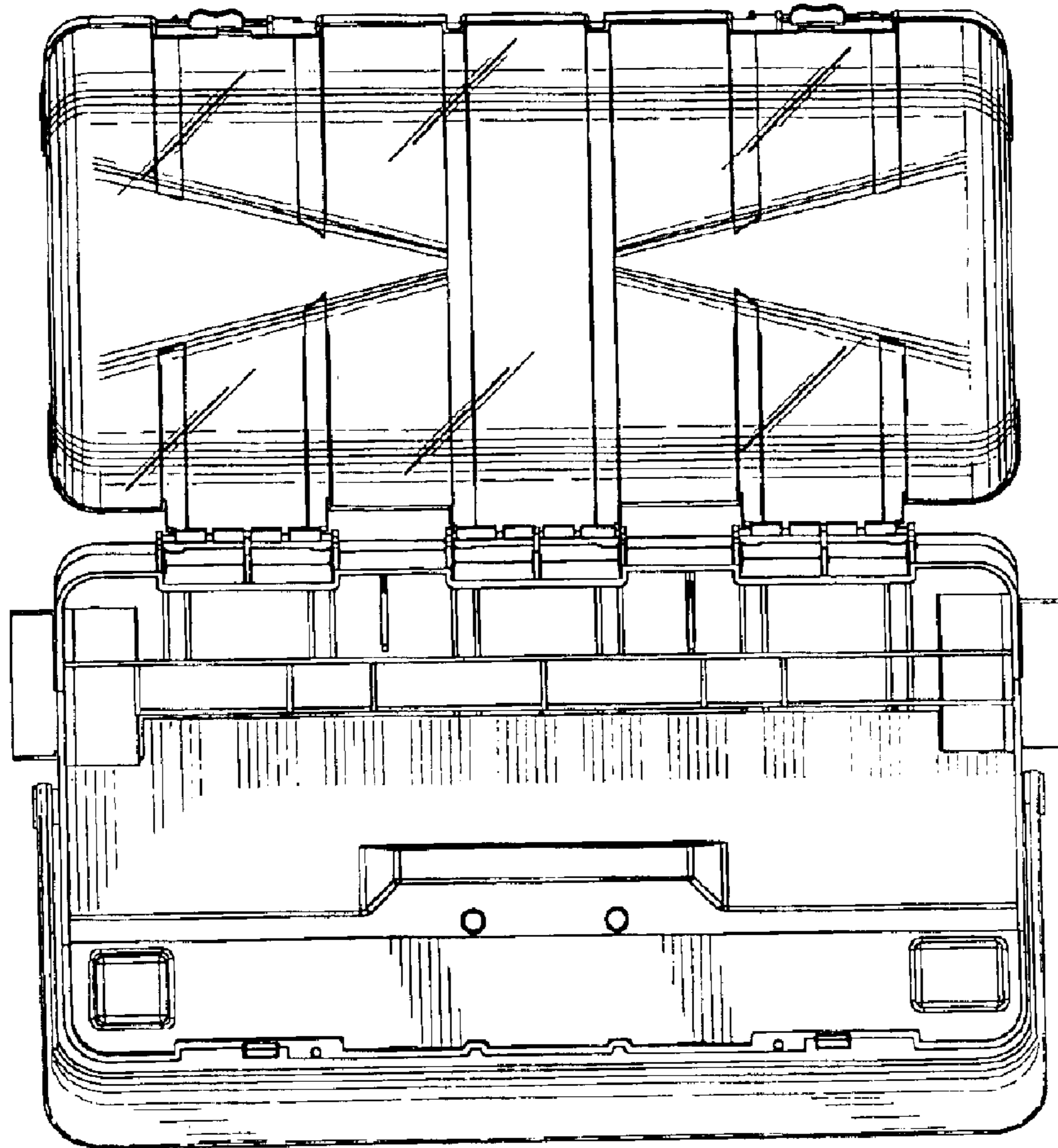


FIG. 11

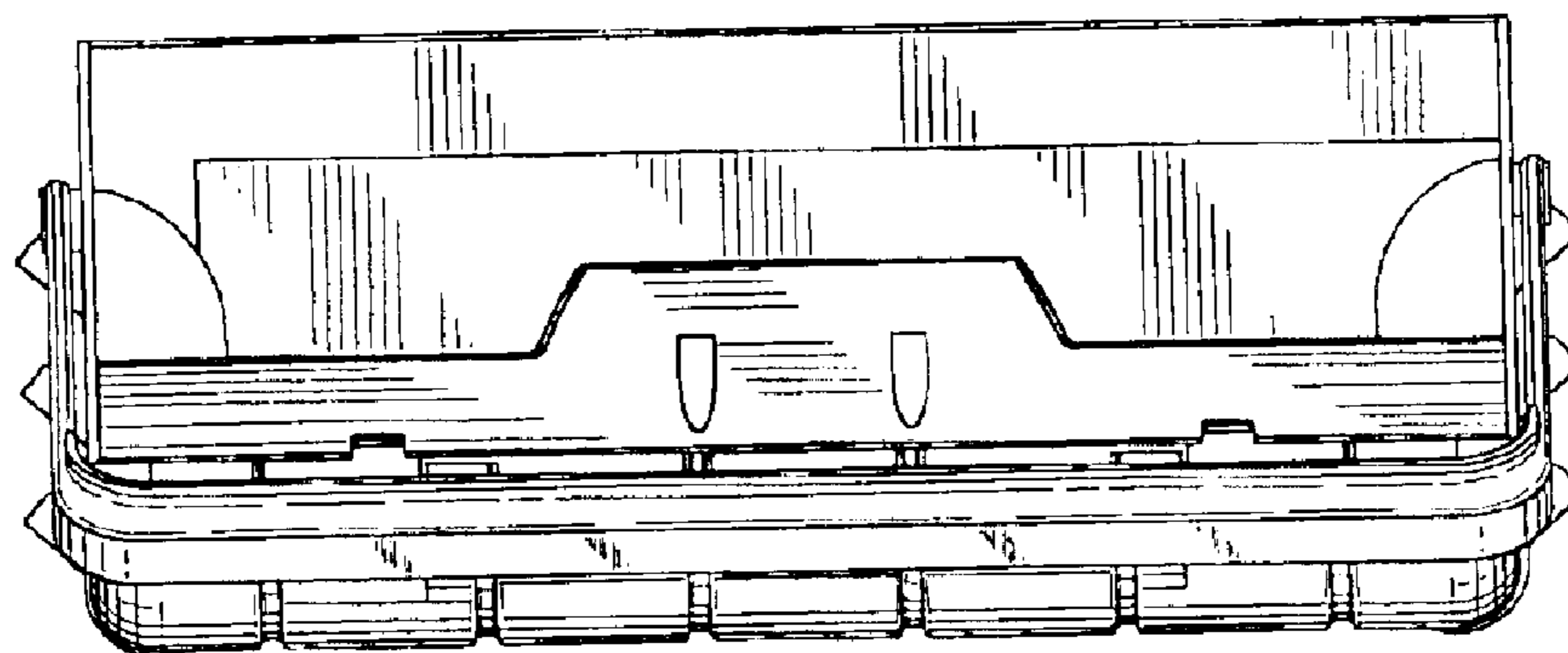


FIG. 12

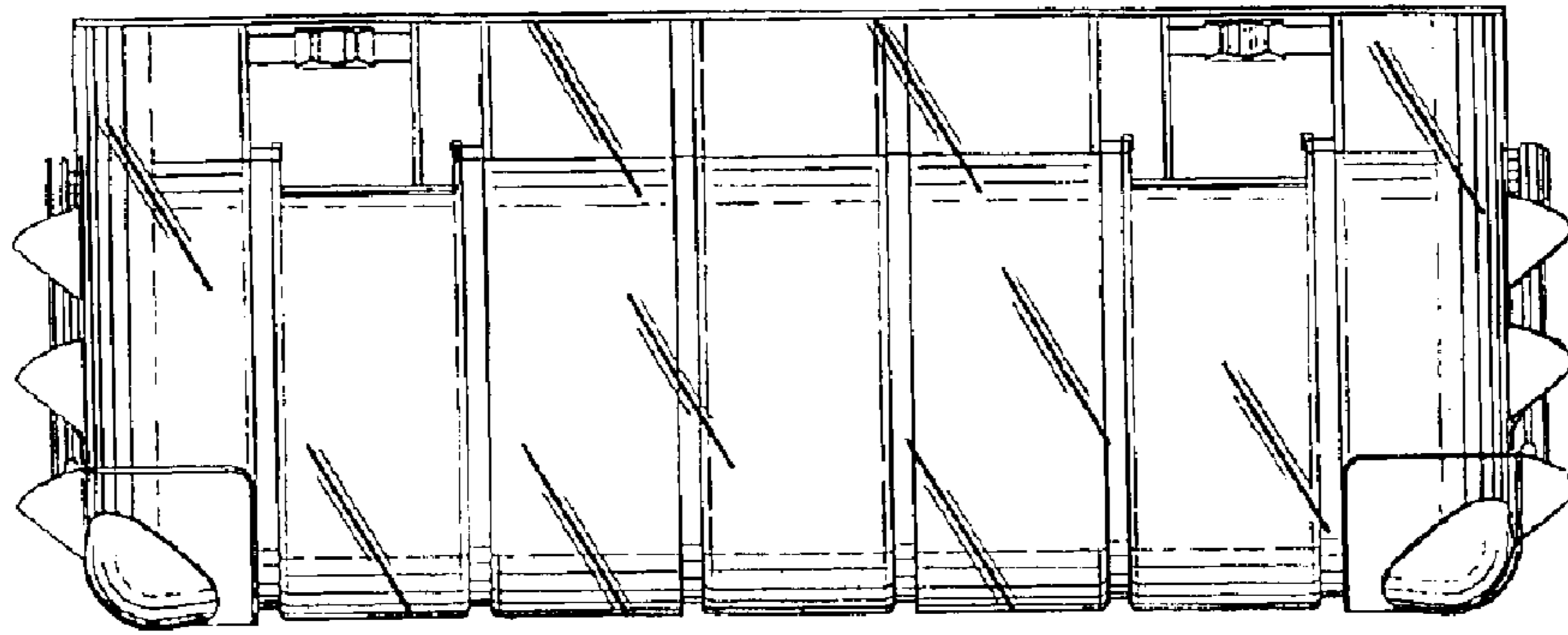


FIG. 13

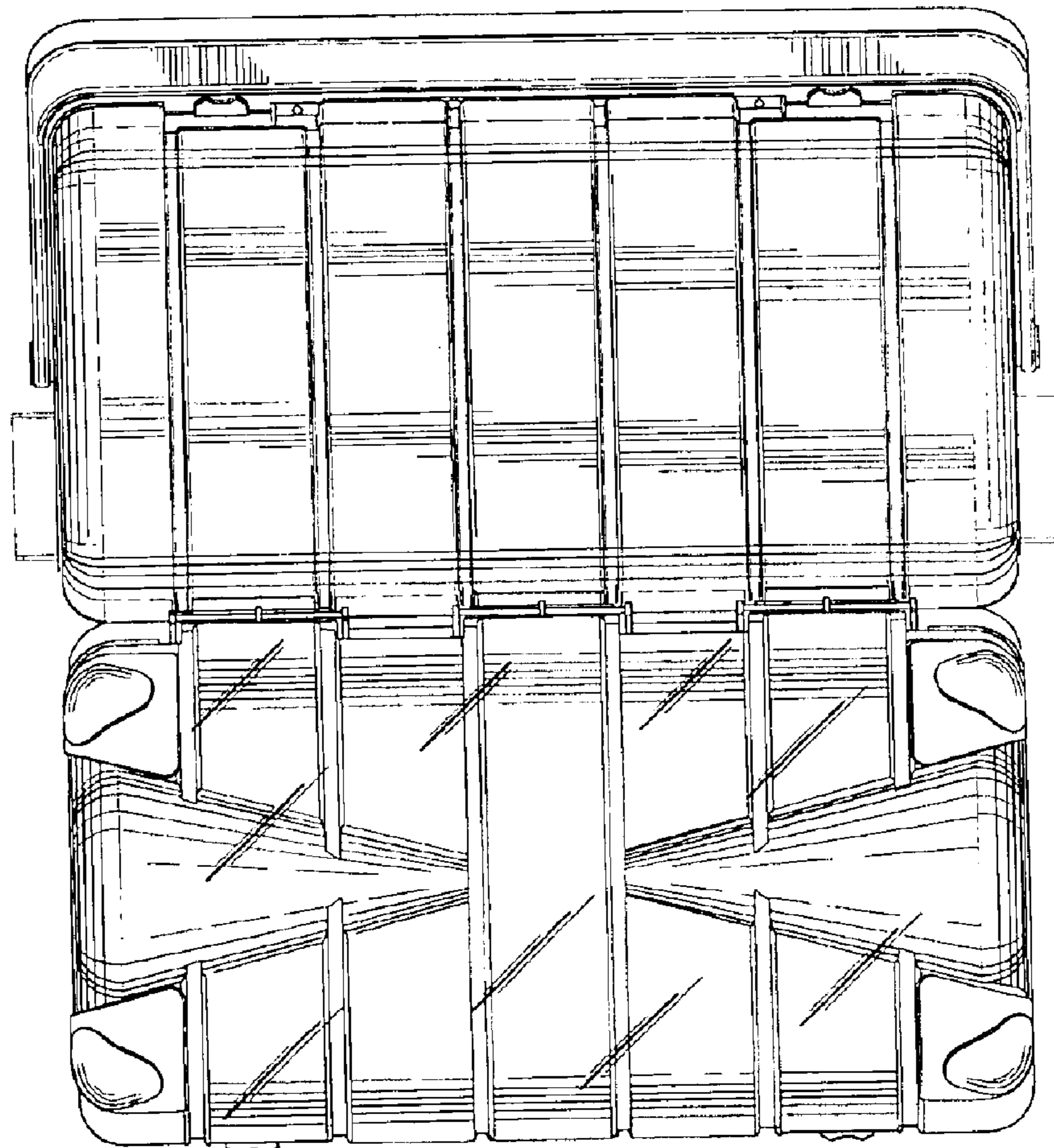


FIG. 14

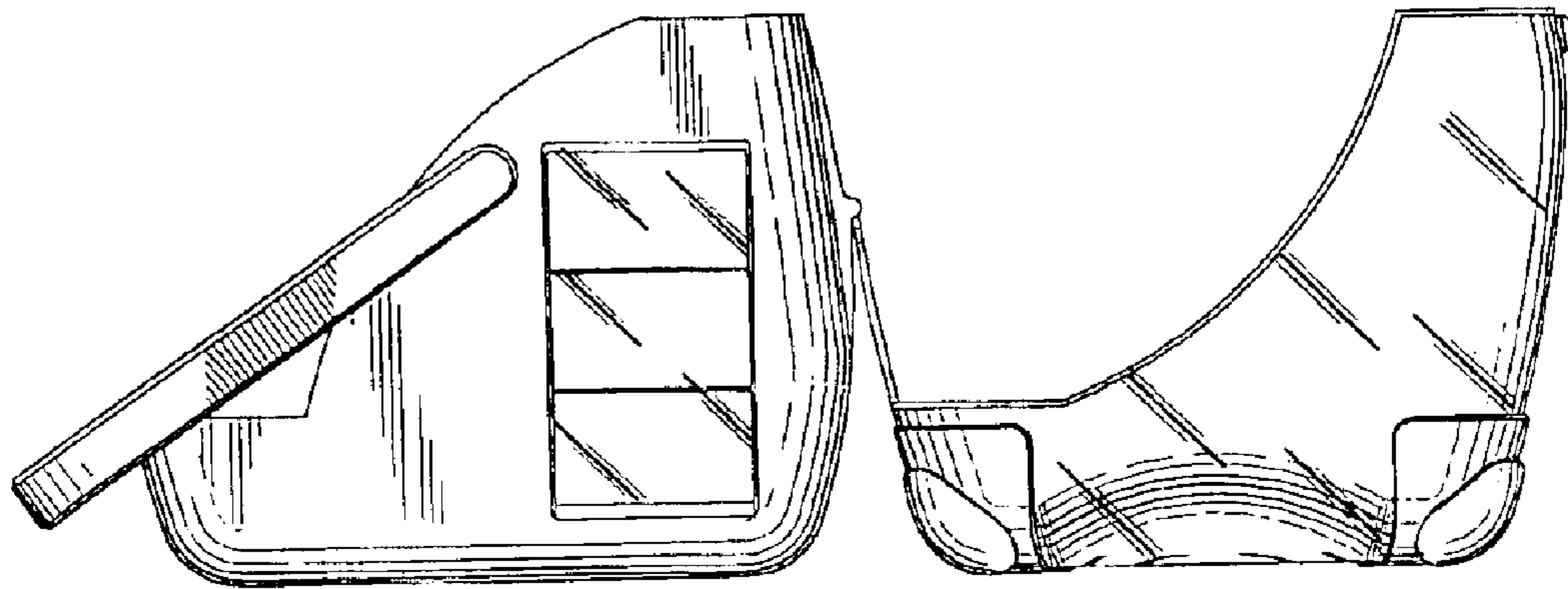


FIG. 15

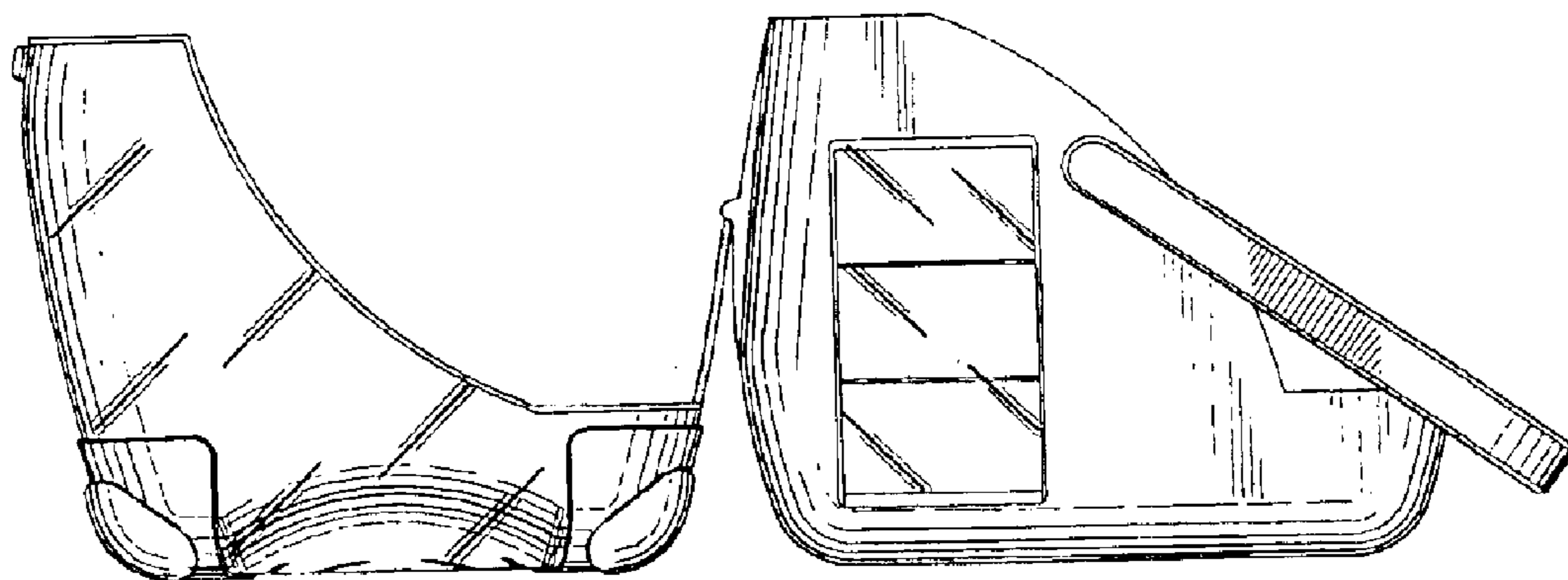


FIG. 16