



US00D514306S

(12) **United States Design Patent**  
**Chen**

(10) **Patent No.:** **US D514,306 S**  
(45) **Date of Patent:** **\*\* Feb. 7, 2006**

(54) **UMBRELLA BAG**

(75) **Inventor:** **Chengtun Chen, Xinglin (CN)**

(73) **Assignee:** **Xiamen Fu Tai Umbrella Industries, Xinglin (CN)**

(\*\*) **Term:** **14 Years**

(21) **Appl. No.:** **29/221,115**

(22) **Filed:** **Jan. 11, 2005**

(51) **LOC (8) Cl.** ..... **03-01**

(52) **U.S. Cl.** ..... **D3/11**

(58) **Field of Classification Search** ..... D3/5-17,  
D3/286, 300; 135/34.2, 16, 33.2, 913  
See application file for complete search history.

(56) **References Cited**

**U.S. PATENT DOCUMENTS**

2,190,264	A	*	2/1940	Goldstein	.....	135/34.2
2,289,223	A	*	7/1942	Stockstrom	.....	135/34.2
D169,517	S	*	5/1953	Murray	.....	D3/289
2,789,571	A	*	4/1957	Kurman	.....	135/34.2
D204,024	S	*	3/1966	Merz	.....	D3/11
3,490,469	A	*	1/1970	Dubinsky	.....	135/34.2
D220,859	S	*	6/1971	Zimmermann	.....	D3/11
3,587,600	A	*	6/1971	Bremshey	.....	135/34.2
3,605,772	A	*	9/1971	Bremshey	.....	135/34.2

D223,222	S	*	3/1972	Christen	.....	D3/289
4,367,762	A	*	1/1983	Dubinsky	.....	135/34.2
5,323,802	A	*	6/1994	Kiedrowski	.....	135/34.2
D464,191	S	*	10/2002	Lu	.....	D3/11

\* cited by examiner

*Primary Examiner*—Sandra L. Snapp

(74) *Attorney, Agent, or Firm*—Greer, Burns & Crain, Ltd.

(57) **CLAIM**

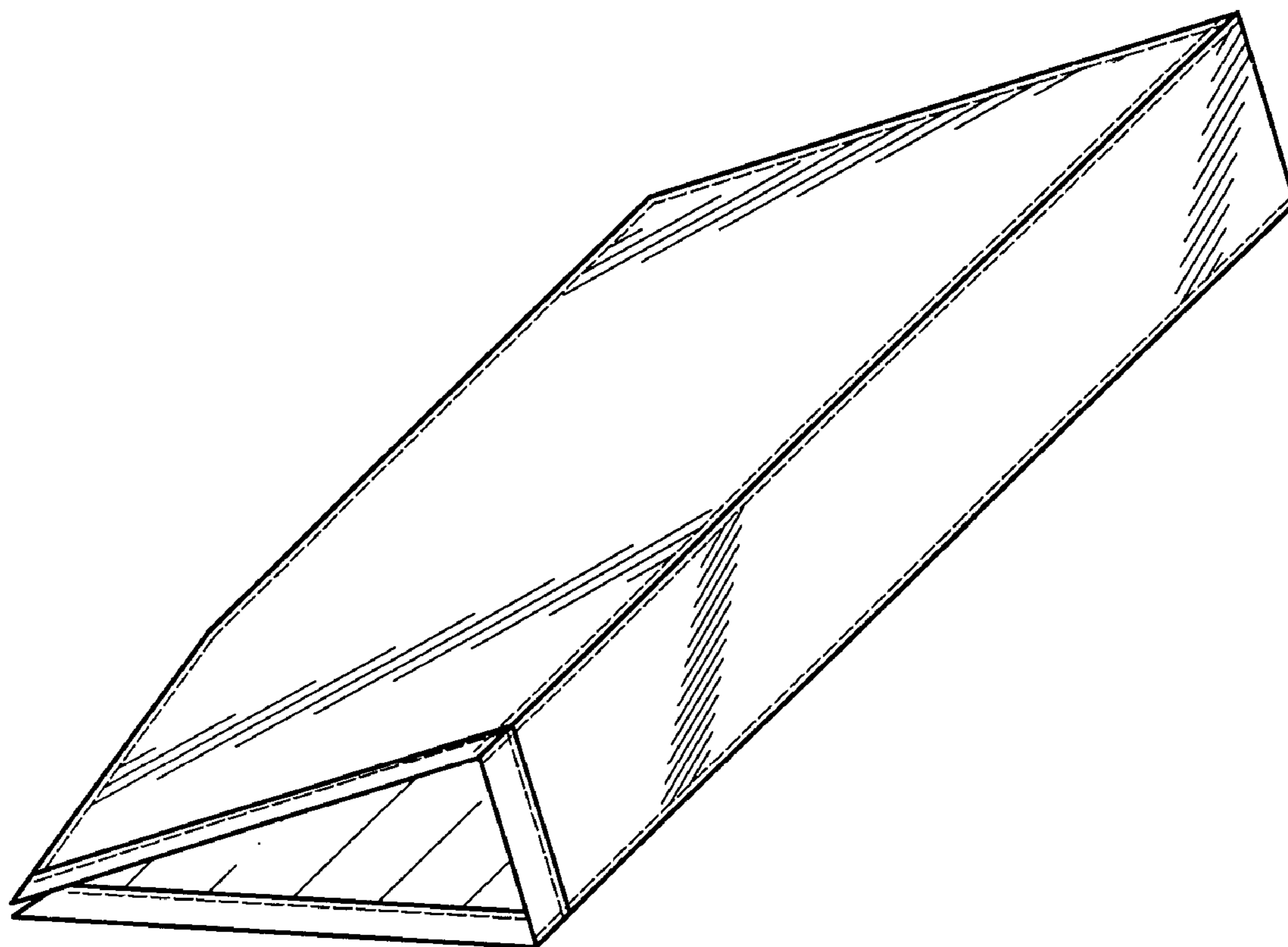
The ornamental design for an umbrella bag, as shown and described.

**DESCRIPTION**

FIG. 1 is a front elevation view of the present umbrella bag; FIG. 2 is a left side elevation of the umbrella bag of FIG. 1; FIG. 3 is a right side elevational view of the present umbrella bag; FIG. 4 is a top view of the umbrella bag of FIG. 1; FIG. 5 is bottom view of same; FIG. 6 is a top perspective view of the present umbrella bag; and, FIG. 7 is a bottom perspective view of the present umbrella bag.

The broken lines shown in the drawings are for illustrative purposes only and form no part of the claimed design.

**1 Claim, 3 Drawing Sheets**



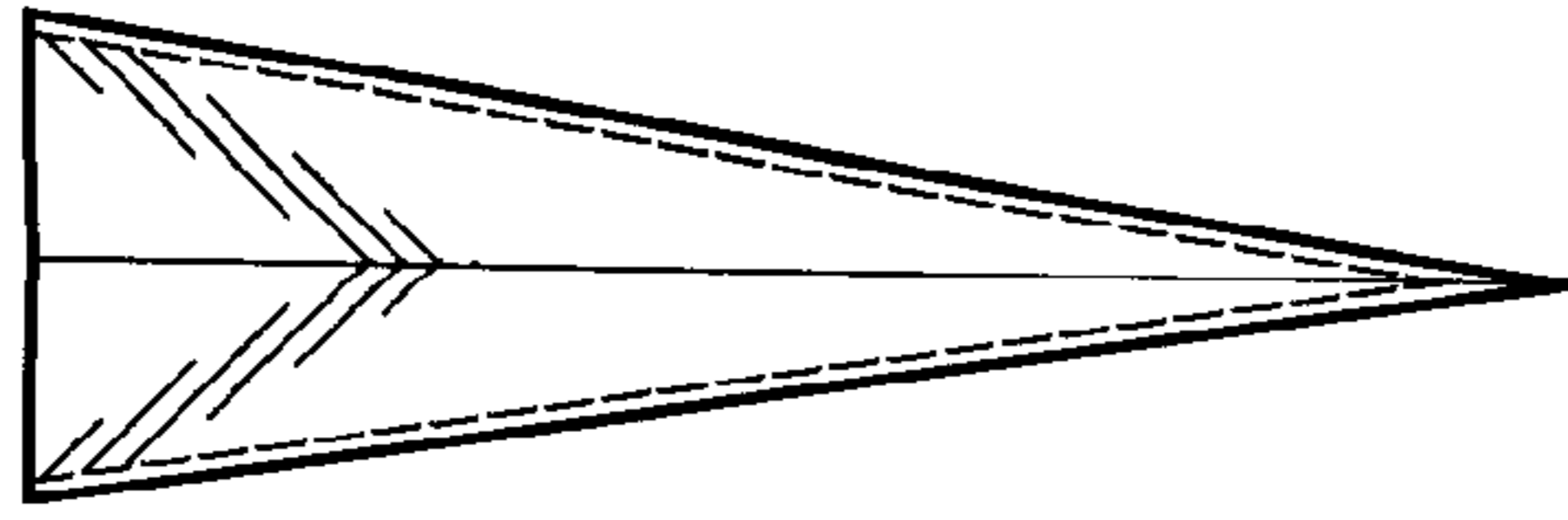


Fig.5

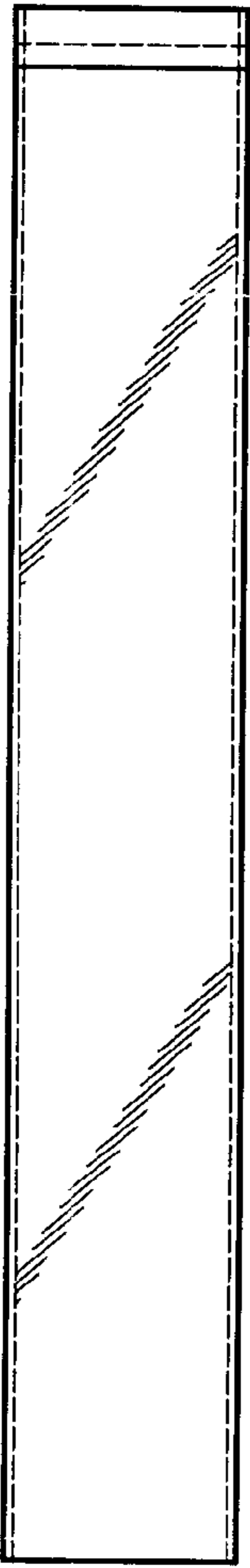


Fig.2

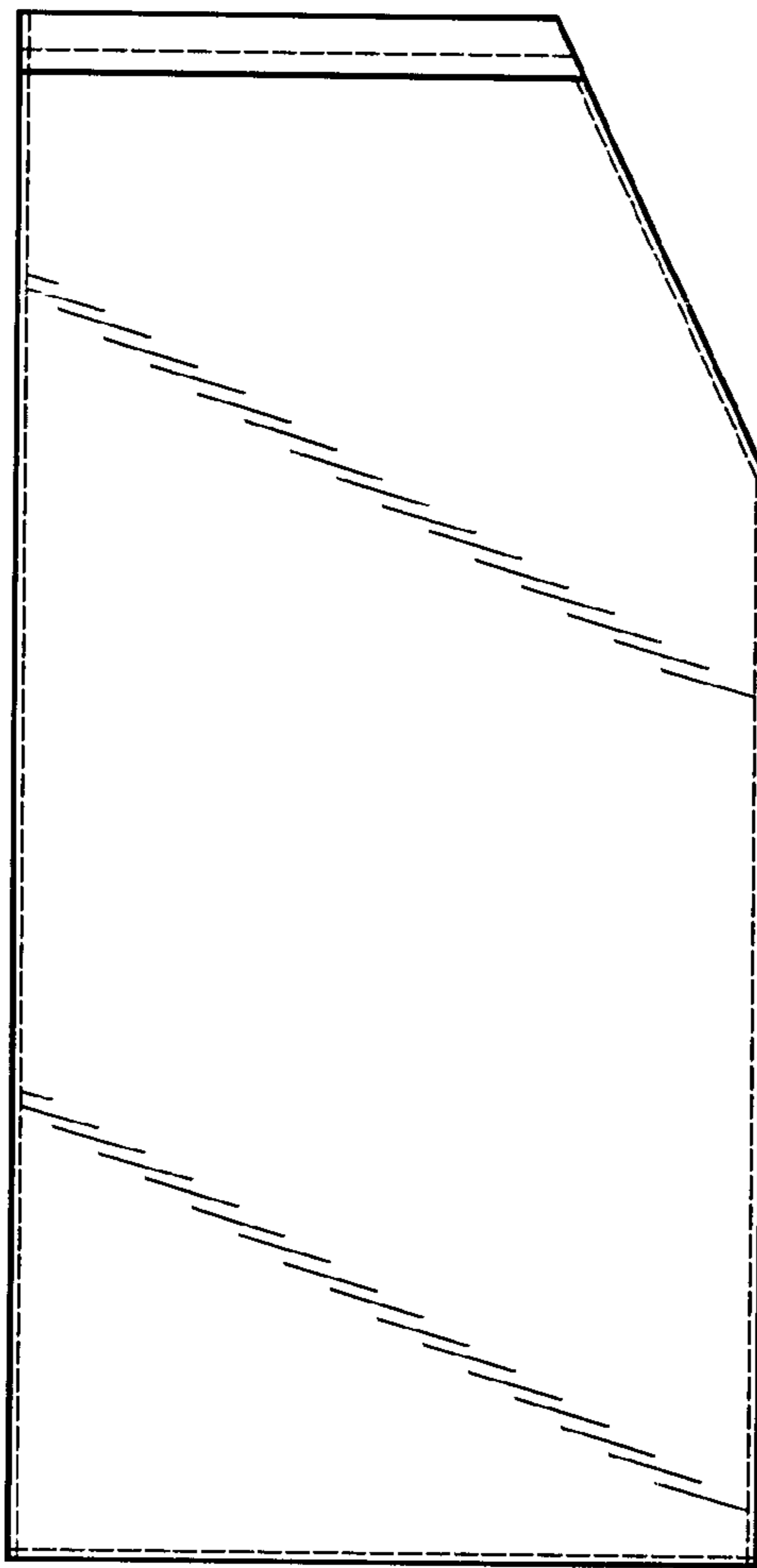


Fig.1

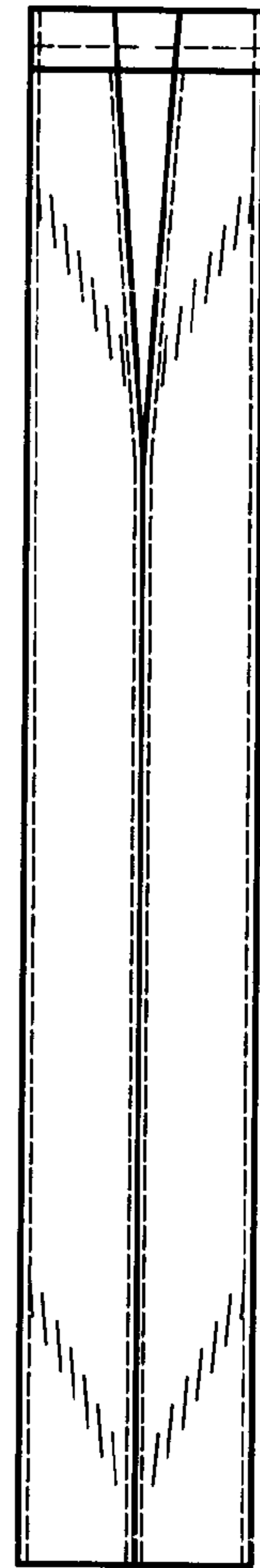


Fig.3

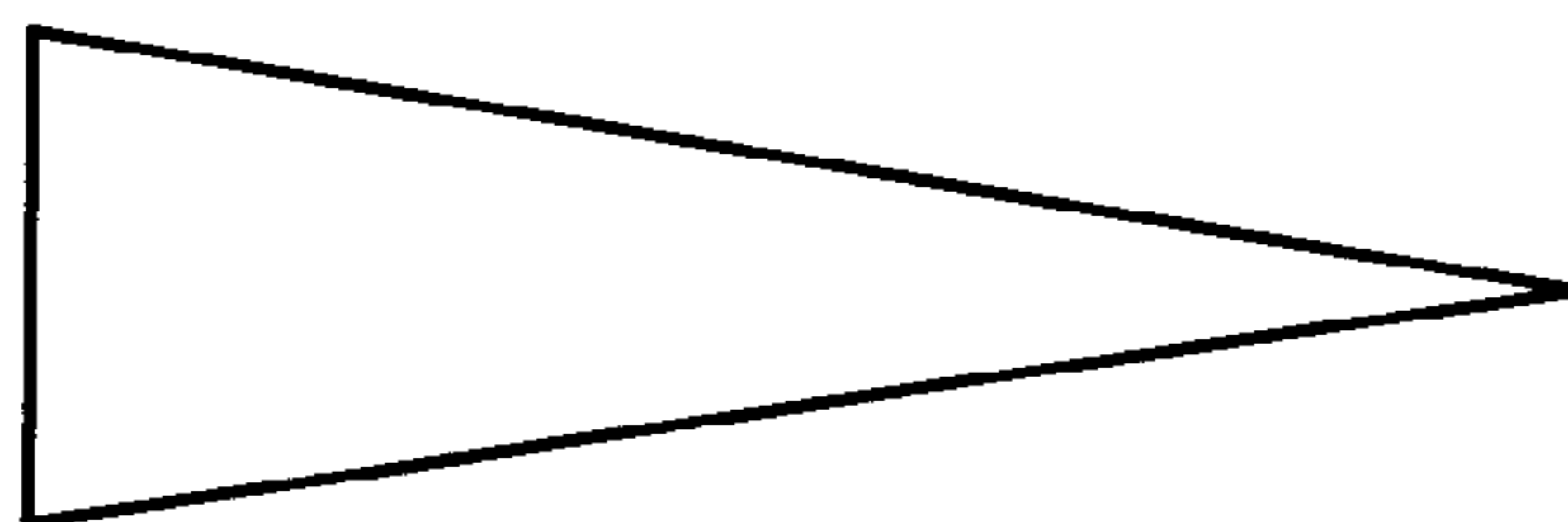


Fig.4

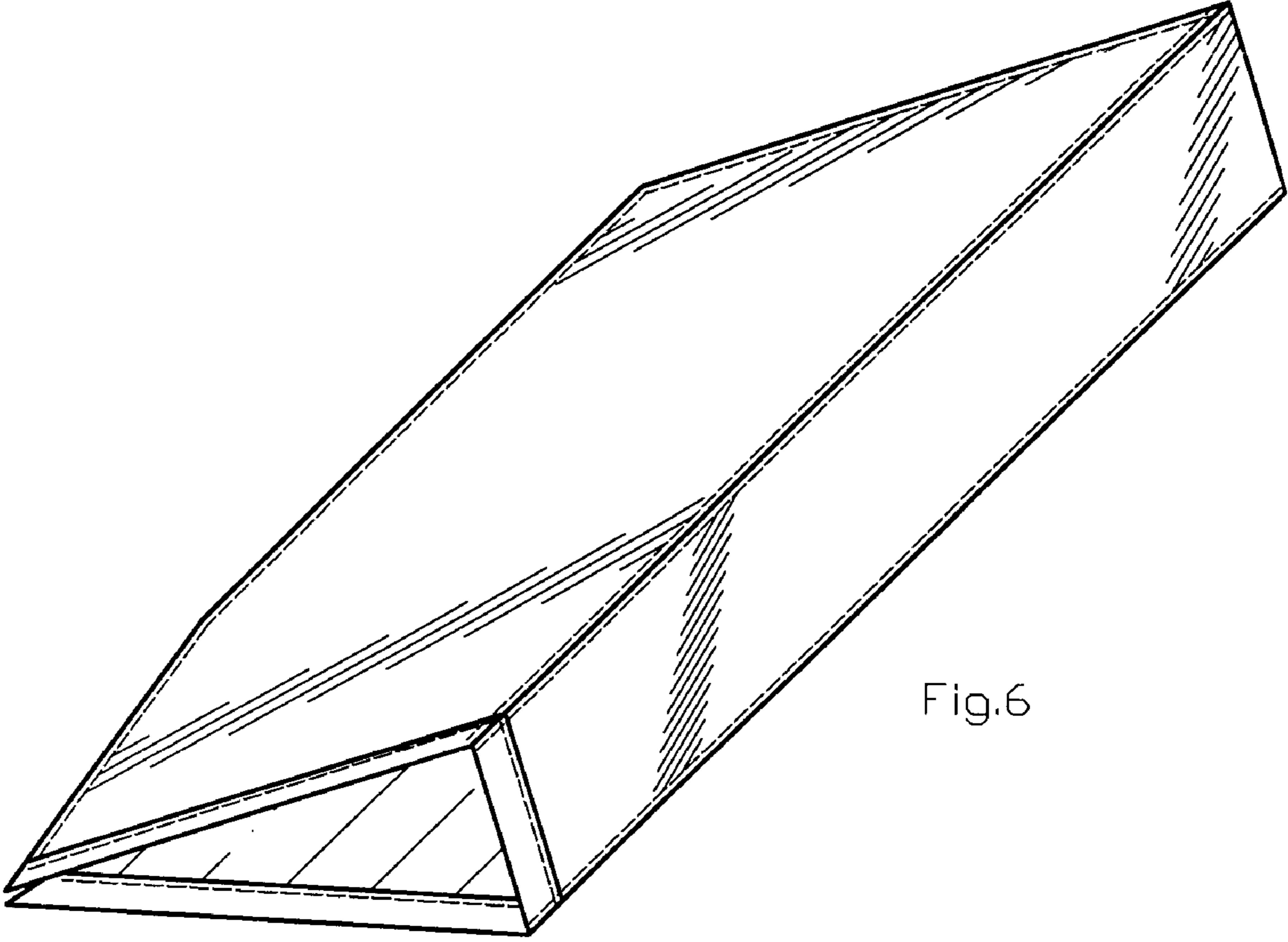


Fig. 6

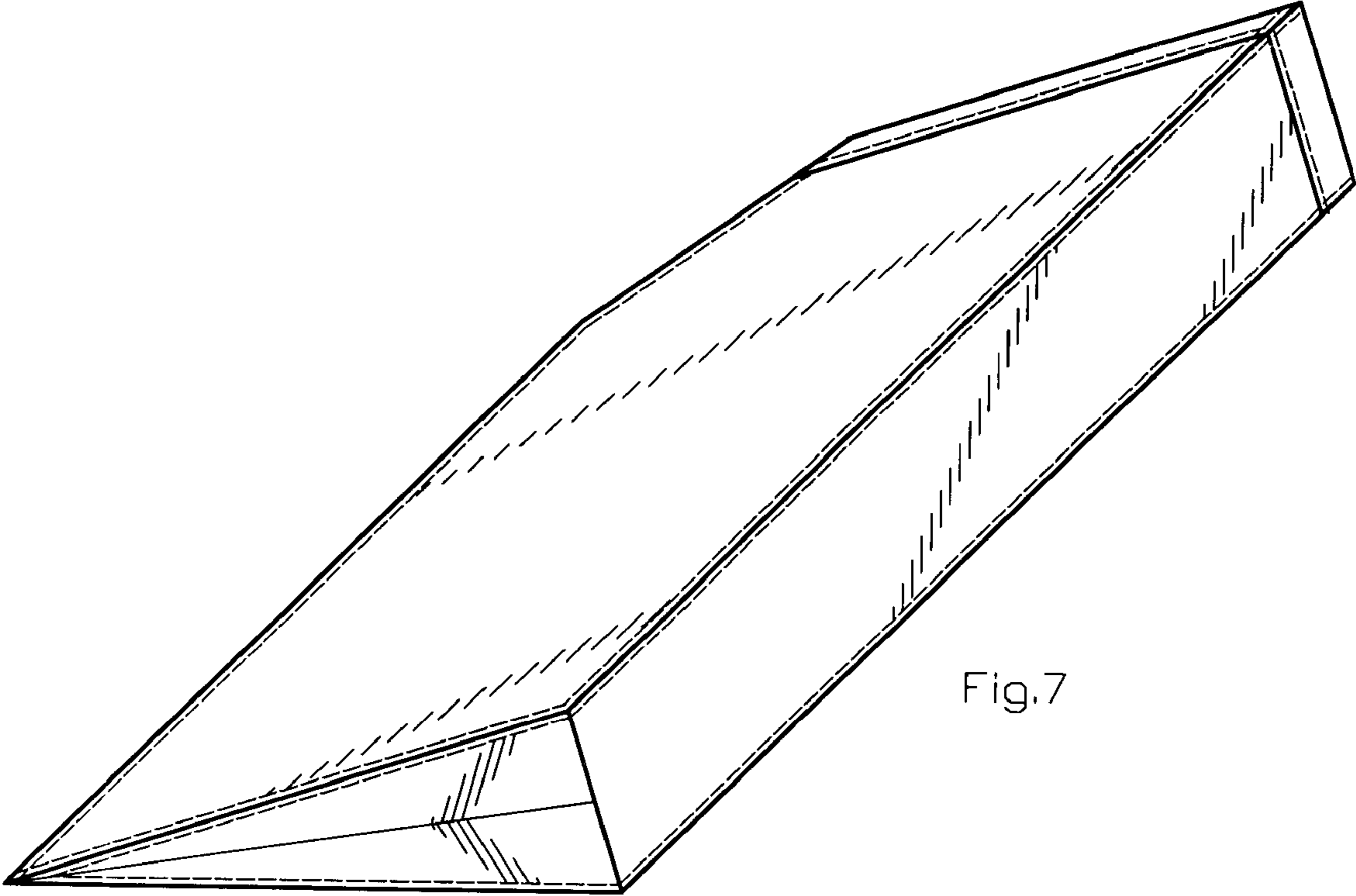


Fig. 7