



US00D514281S

(12) **United States Design Patent**
Cho

(10) **Patent No.:** **US D514,281 S**
(45) **Date of Patent:** **** Feb. 7, 2006**

(54) **CAT'S EYE CAP**
(75) **Inventor:** **Byoung-Woo Cho, Kyungki-do (KR)**
(73) **Assignee:** **Yupoong, Inc., Seoul (KR)**
(**) **Term:** **14 Years**

D424,282 S * 5/2000 Crumpton et al. D2/876
6,718,557 B2 * 4/2004 Claro 2/195.2
2004/0128739 A1 * 7/2004 Tufano-Sisca 2/209.3

FOREIGN PATENT DOCUMENTS

JP 2000-144517 5/2000
WO PCT/KR02/01829 1/2003

* cited by examiner

Primary Examiner—Jeffrey Asch
Assistant Examiner—Elizabeth Albert
(74) *Attorney, Agent, or Firm*—Staas & Halsey LLP

(21) **Appl. No.:** **29/200,899**
(22) **Filed:** **Mar. 8, 2004**

(51) **LOC (8) Cl.** **02-03**
(52) **U.S. Cl.** **D2/875**
(58) **Field of Classification Search** D2/865,
D2/866, 872, 873, 875, 876, 879, 882, 886,
D2/891, 892; 2/171, 175.1, 175.2, 175.3,
2/195.1, 195.2, 195.3, 209.11, 209.12, 209.13,
2/209.3

See application file for complete search history.

(57) **CLAIM**

The ornamental design for the cat's eye cap, as shown and described.

DESCRIPTION

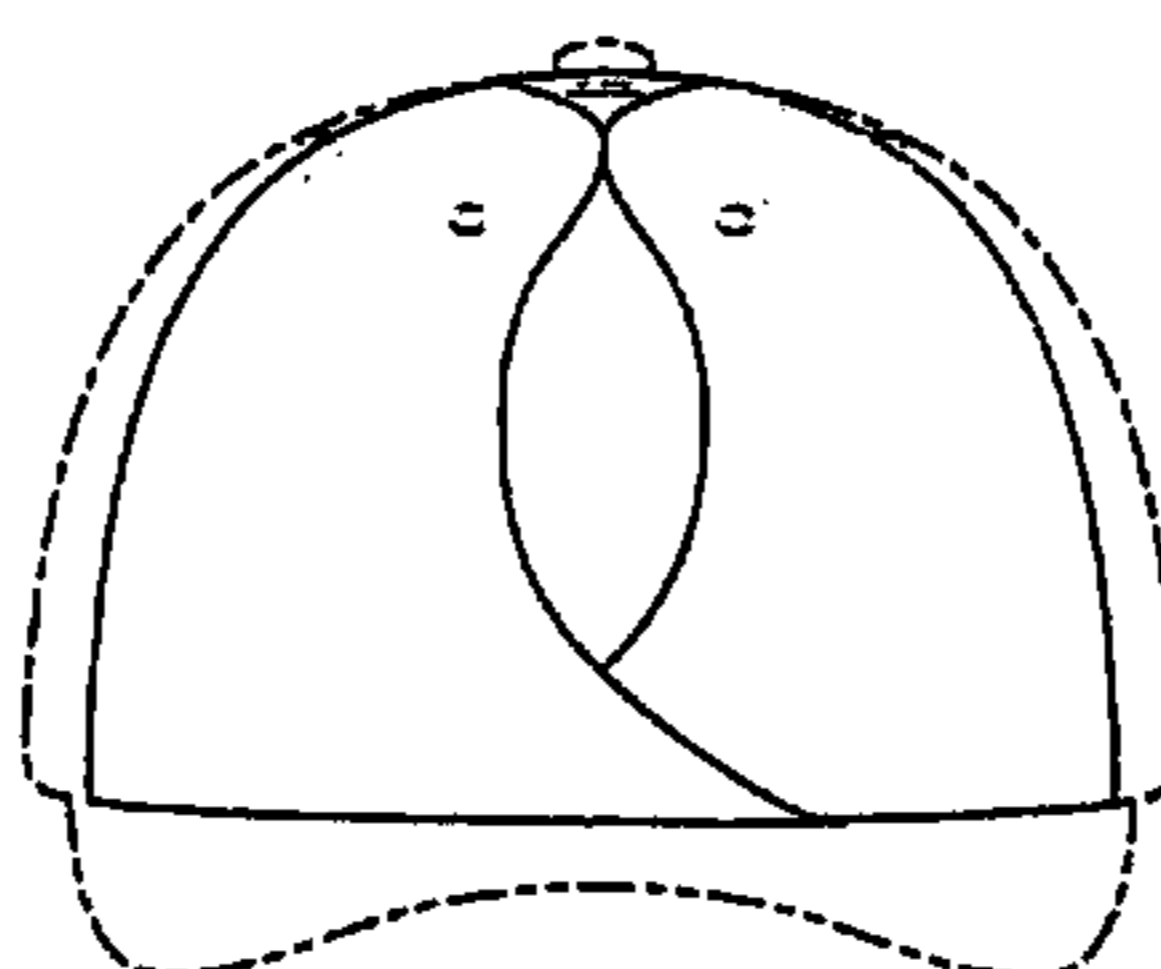
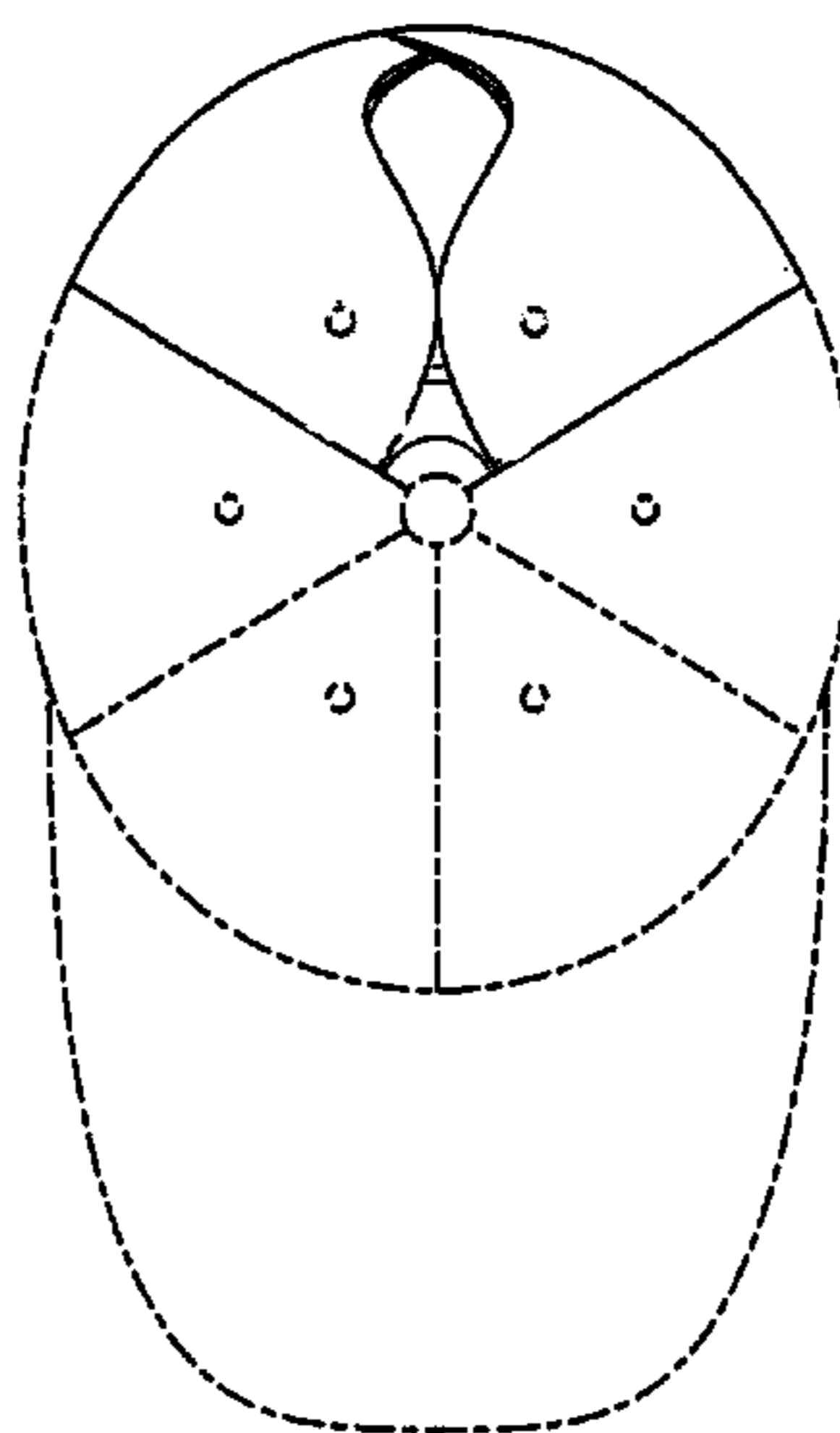
FIG. 1 is a top view of the cat's eye cap showing my new design;
FIG. 2 is a rear view of the cat's eye cap of FIG. 1;
FIG. 3 is a side view of the cat's eye cap of FIG. 1; and,
FIG. 4 is a bottom view of the cat's eye cap of FIG. 1.
The broken lines showing environment in the drawings are for information purposes only and form no part of the claimed design.

(56) **References Cited**

U.S. PATENT DOCUMENTS

2,988,747 A * 6/1961 Stofle 2/174
D342,596 S * 12/1993 Flies D2/865
5,321,854 A * 6/1994 Kronenberger 2/209.7
D374,334 S * 10/1996 Stroup D2/894
5,799,334 A * 9/1998 Griffith et al. 2/195.1
5,875,494 A * 3/1999 Garnier et al. 2/209.7

1 Claim, 2 Drawing Sheets



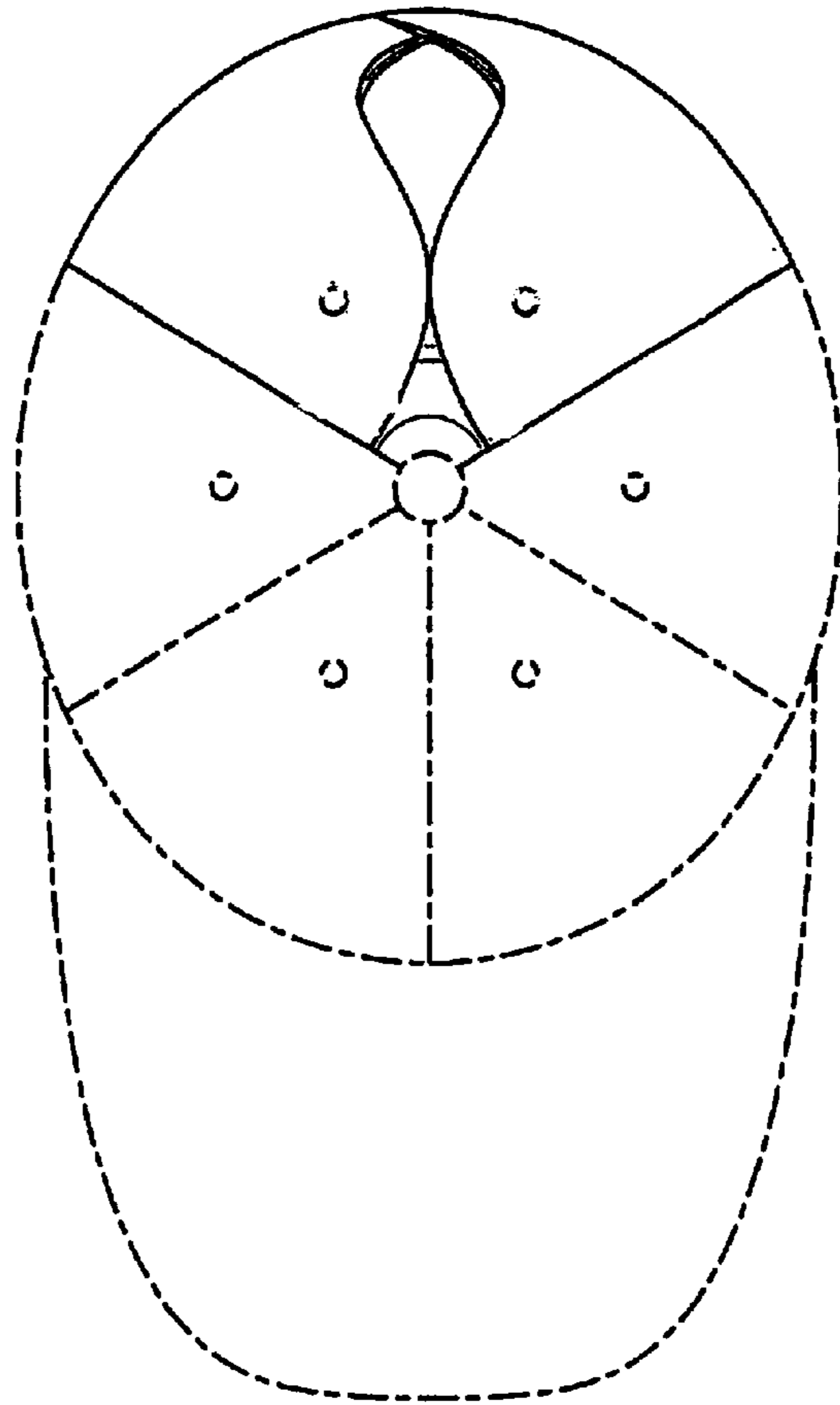


FIG. 1

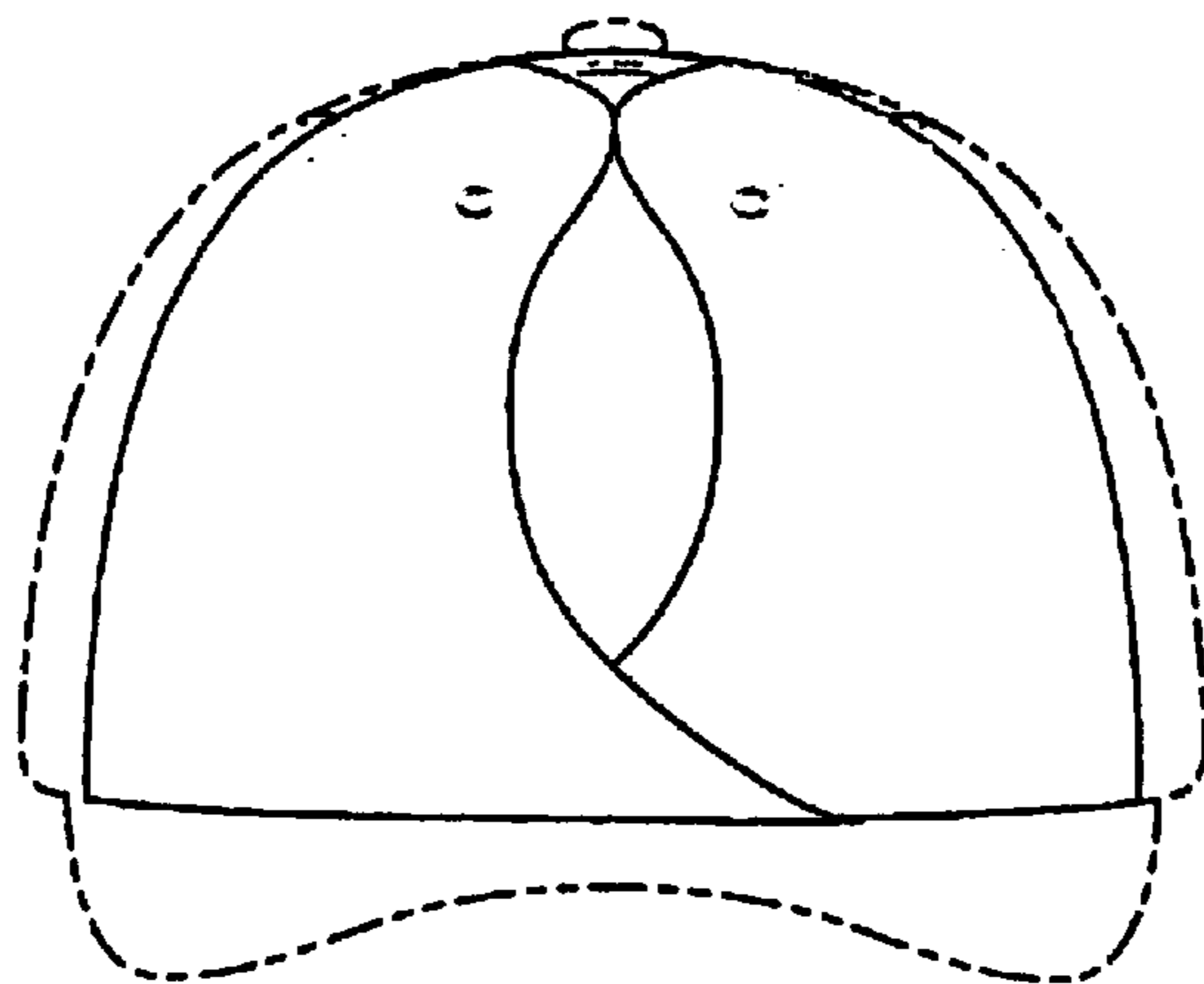


FIG. 2

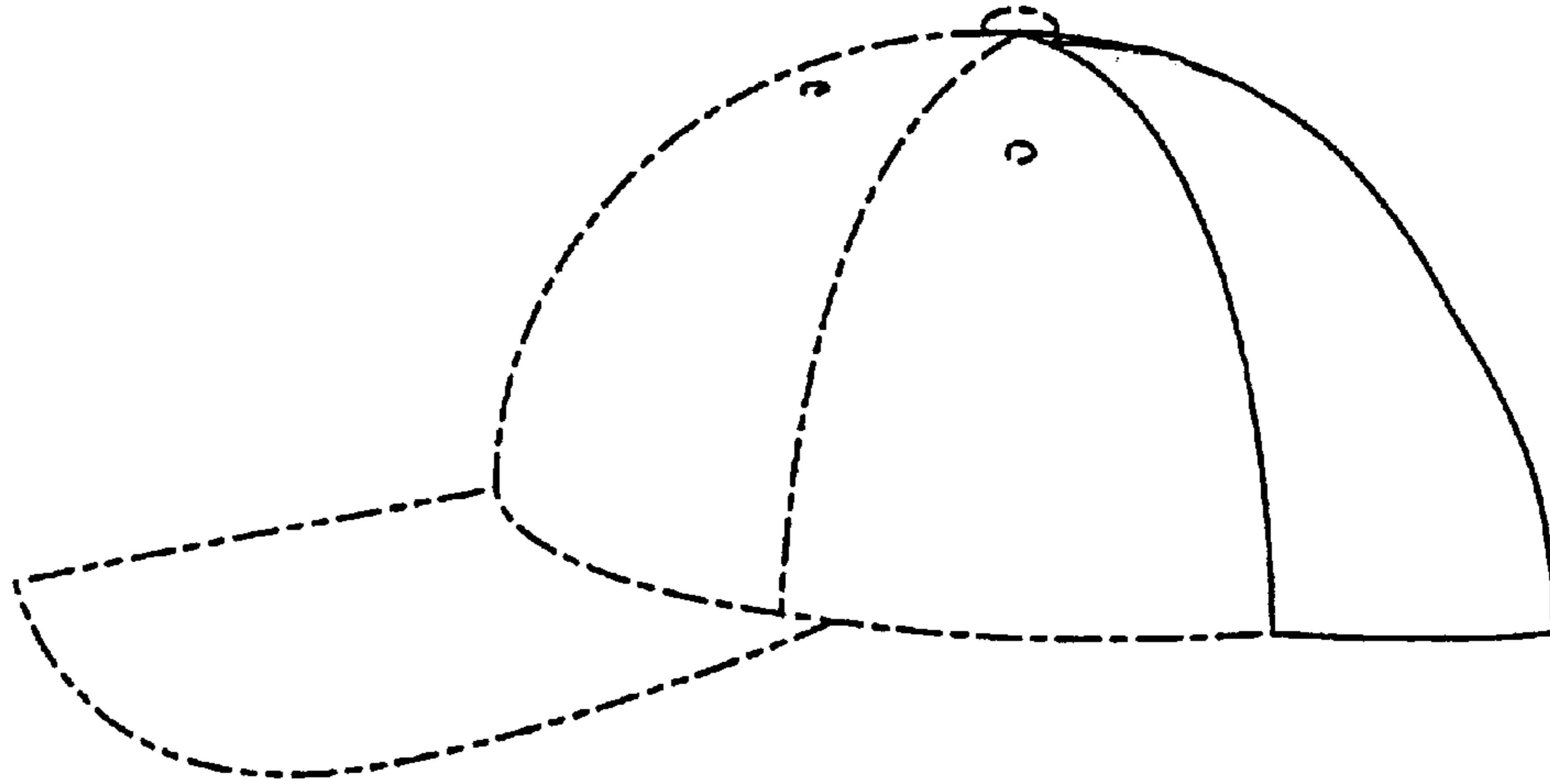


FIG. 3

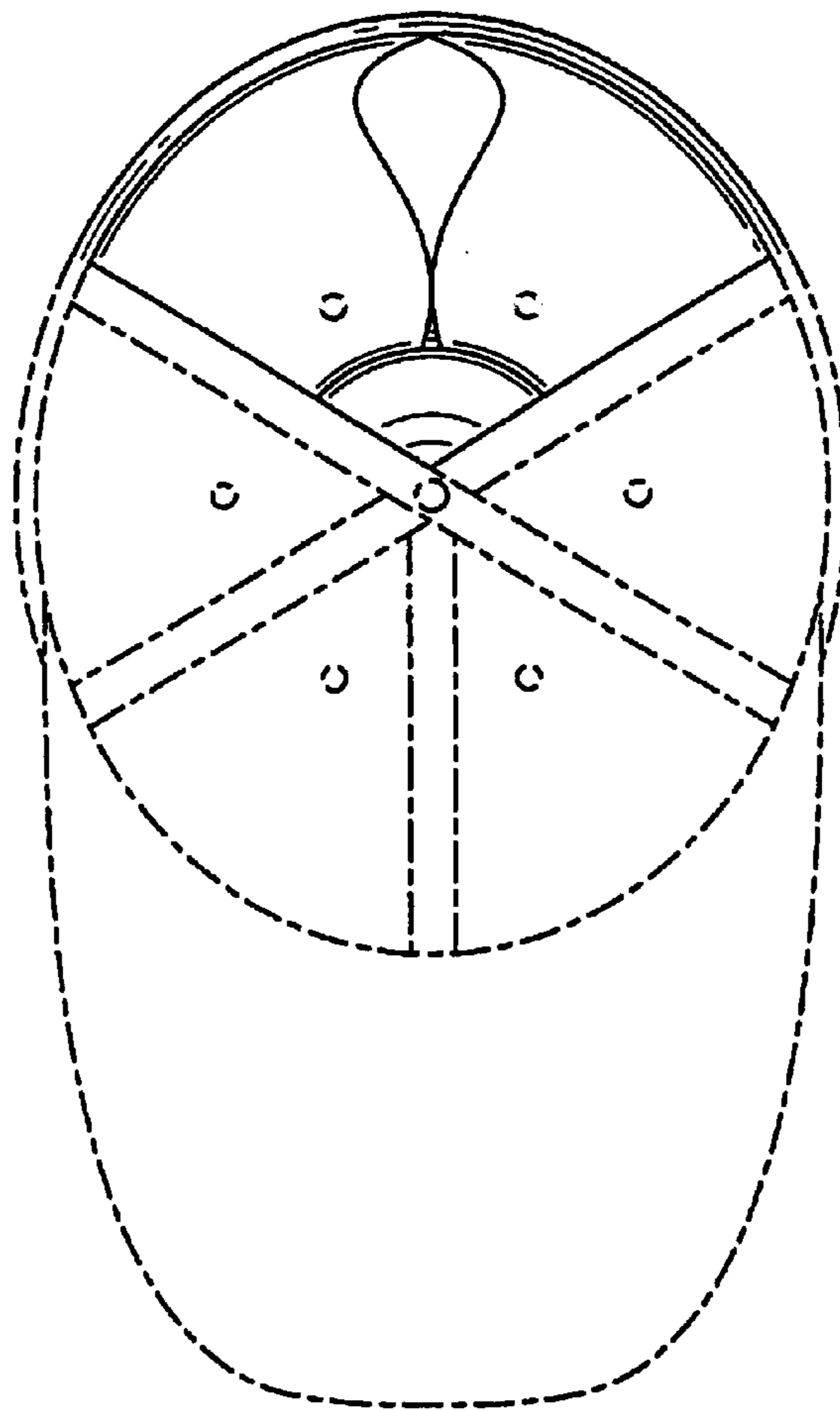


FIG. 4