



US00D514269S

(12) **United States Design Patent**  
**Polidoros**

(10) **Patent No.: US D514,269 S**

(45) **Date of Patent: \*\* \*Jan. 31, 2006**

(54) **MOBILE TRAY RACK**

(75) Inventor: **Nicholas Polidoros, Mont Albert (AU)**

(73) Assignee: **International Hospitality Systems Pty Ltd, Victoria (AU)**

(\*) Notice: This patent is subject to a terminal disclaimer.

(\*\*) Term: **14 Years**

(21) Appl. No.: **29/105,186**

(22) Filed: **May 18, 1999**

(51) **LOC (8) Cl.** ..... **12-02**

(52) **U.S. Cl.** ..... **D34/21; D34/17**

(58) **Field of Classification Search** ..... D34/12-27;  
211/133.1, 126.2, 181.1, 128.1, 150; 280/79.11,  
280/79.3, 79.4, 47.2, 47.26, 42  
See application file for complete search history.

(56) **References Cited**

**U.S. PATENT DOCUMENTS**

3,981,510 A \* 9/1976 Gustafsson ..... 280/79.3

4,793,497 A \* 12/1988 Hall et al. .... 211/150  
D352,585 S \* 11/1994 Binning ..... D34/17  
5,685,442 A \* 11/1997 Yoshino et al. .... 211/201  
5,957,309 A \* 9/1999 Hall ..... 211/126.2

\* cited by examiner

*Primary Examiner*—Kay H. Chin

(74) *Attorney, Agent, or Firm*—Samuels, Gauthier & Stevens, LLP

(57) **CLAIM**

The ornamental design for a mobile tray rack, as shown and described.

**DESCRIPTION**

FIG. 1 is a perspective view of the tray rack with door in open position.

FIG. 2 is a plan view of the tray rack.

FIG. 3 is a front view of the tray rack.

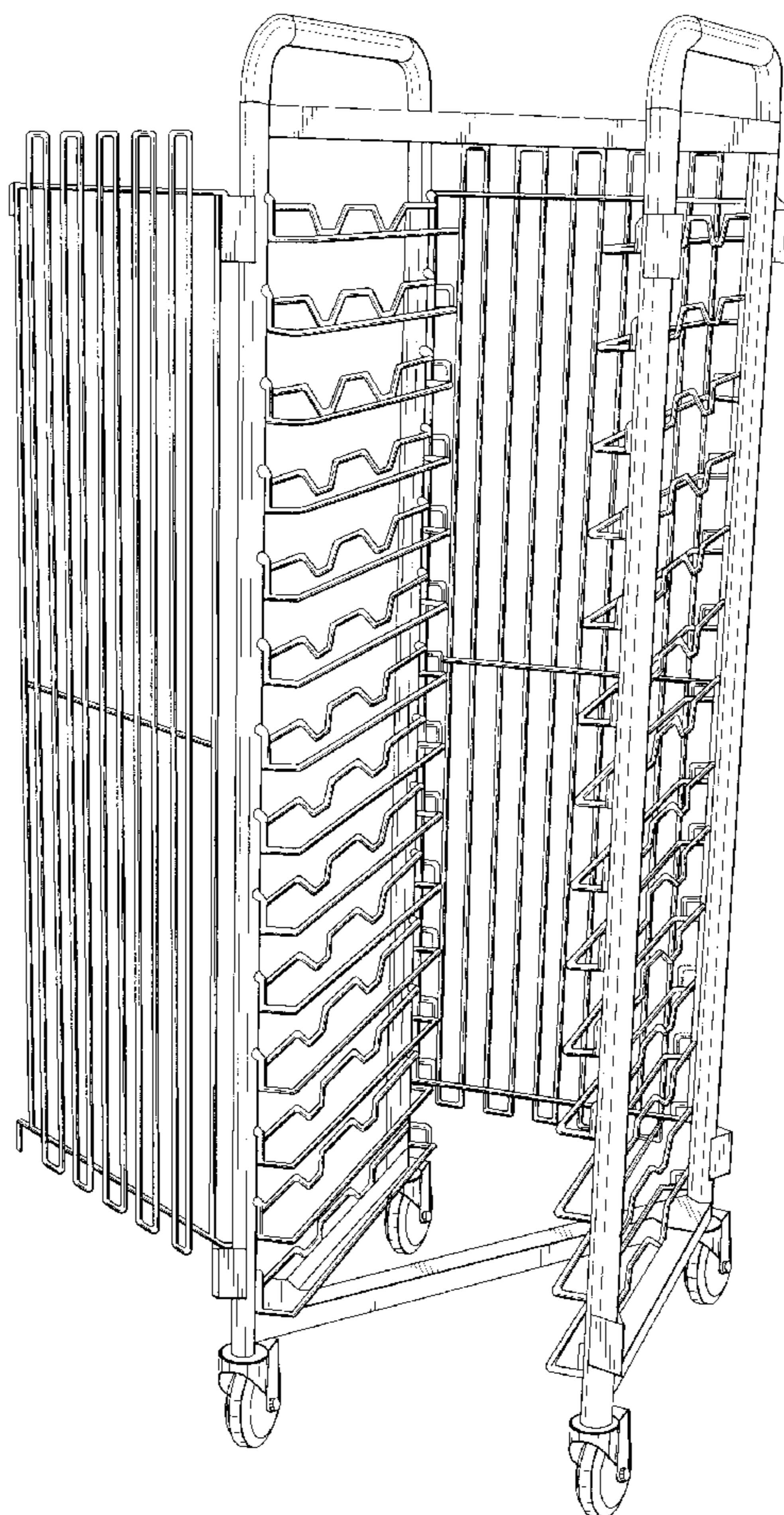
FIG. 4 is a rear view of the tray rack.

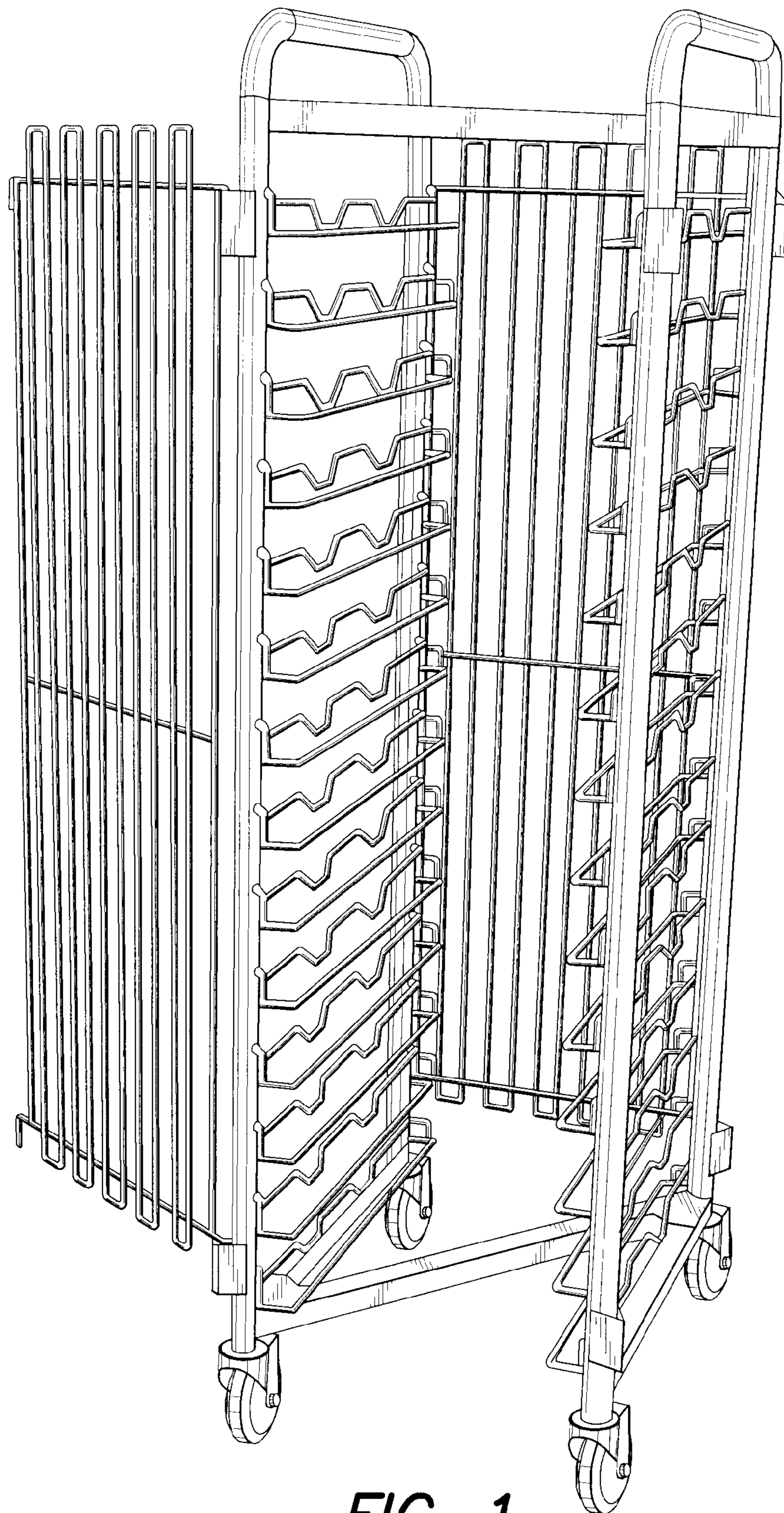
FIG. 5 is a bottom view of the tray rack.

FIG. 6 is a left side view of the tray rack; and,

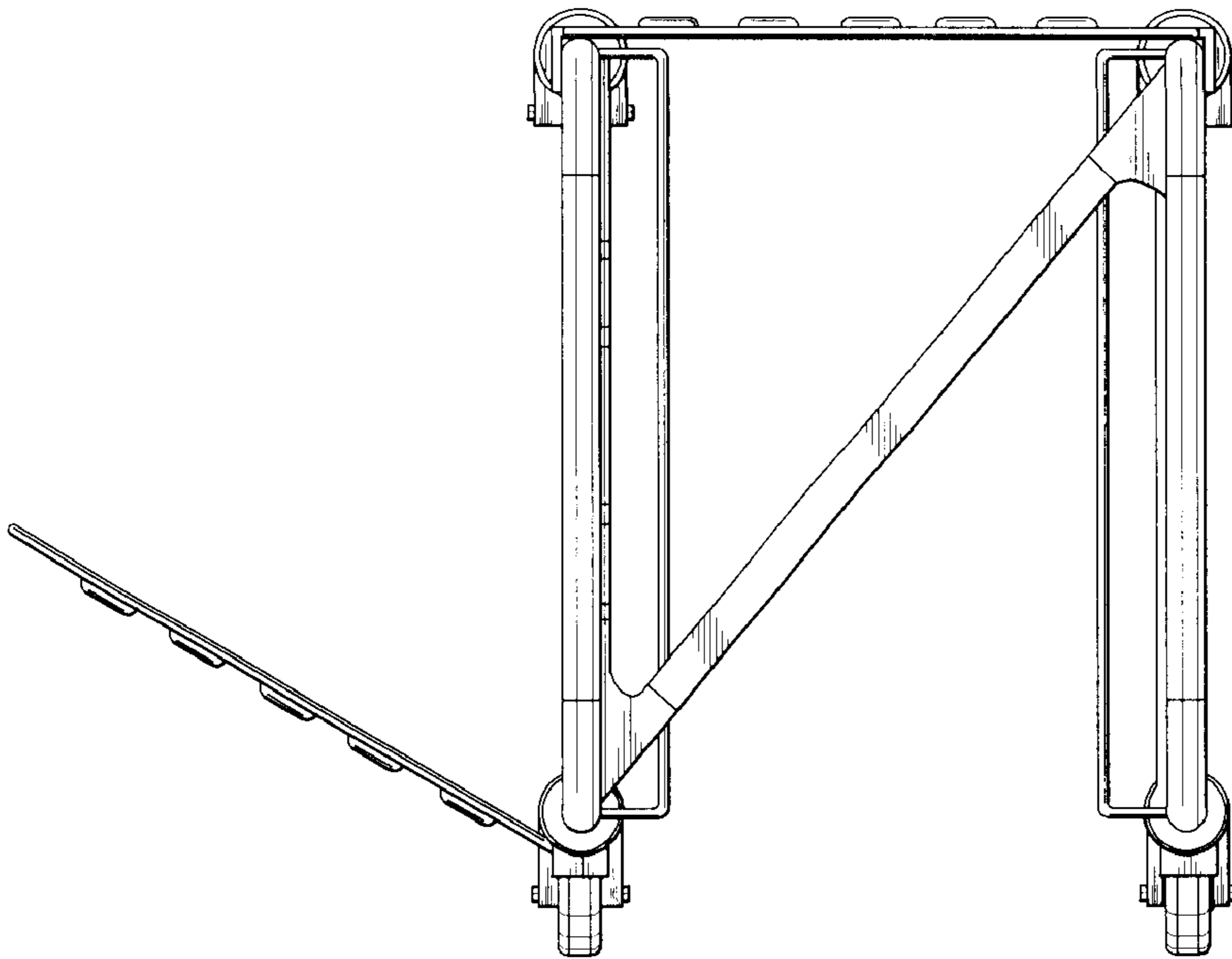
FIG. 7 is a right side view of the tray rack.

**1 Claim, 6 Drawing Sheets**

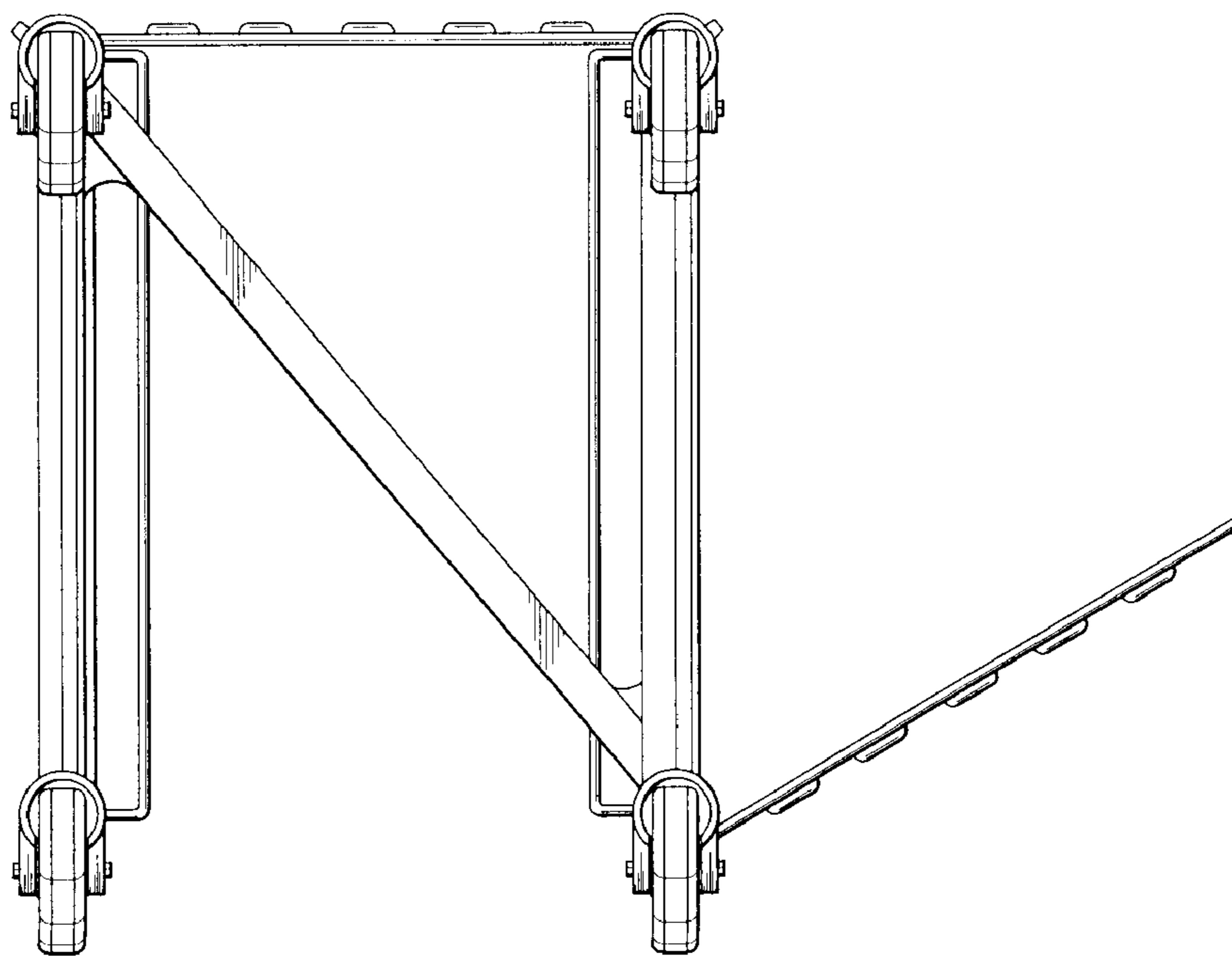




**FIG. 1**



*FIG. 2*



*FIG. 5*

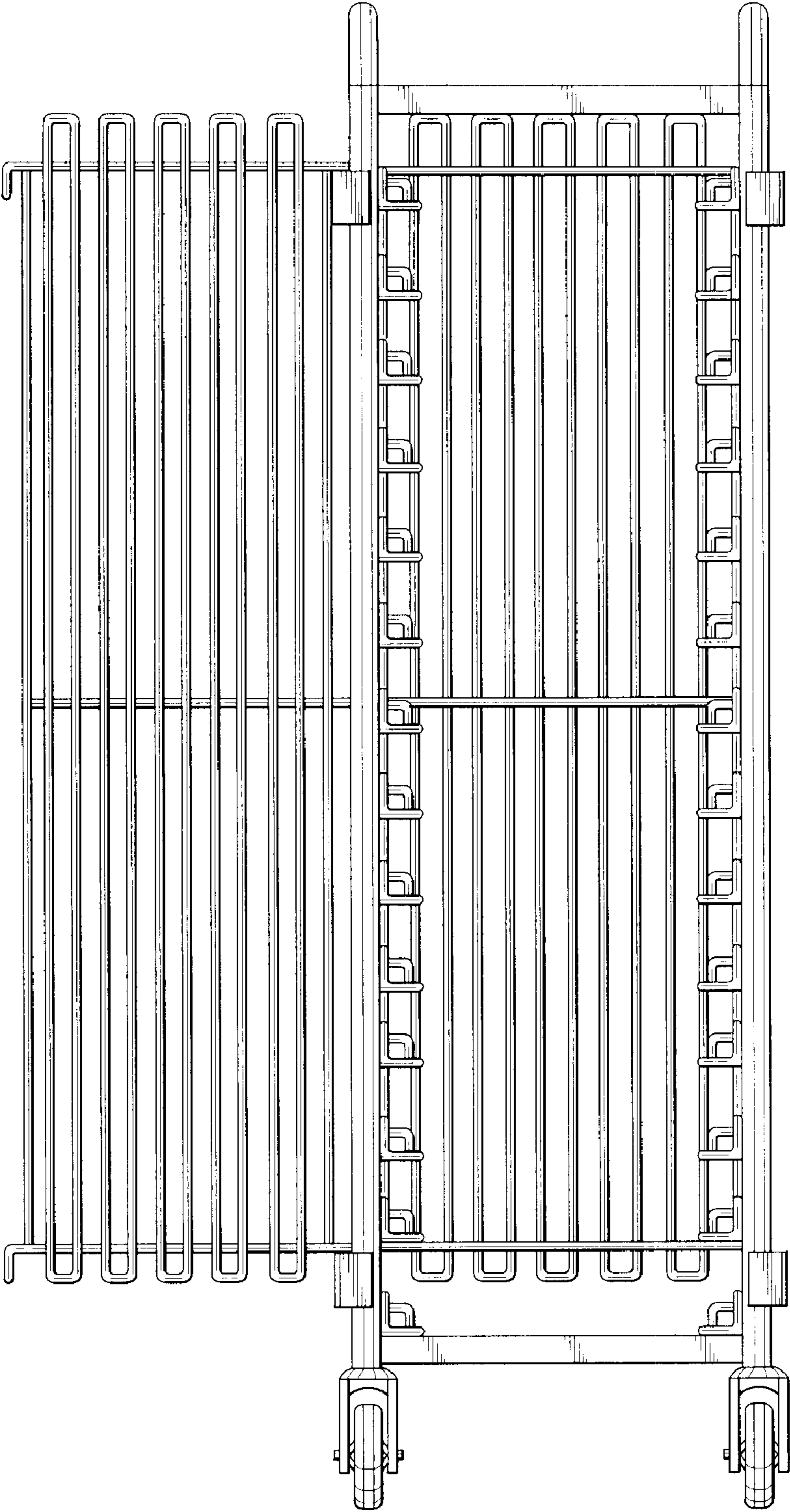


FIG. 3

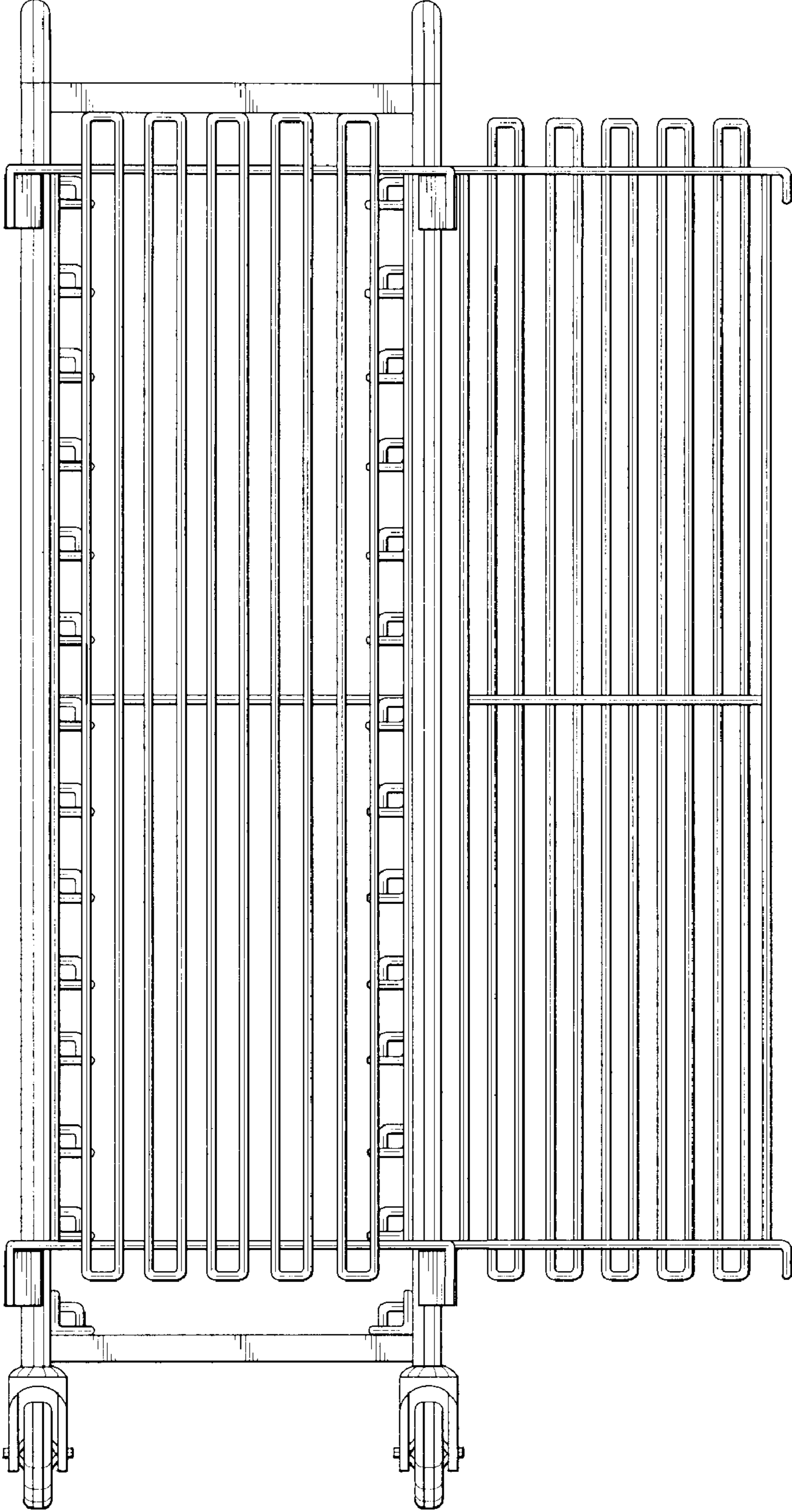
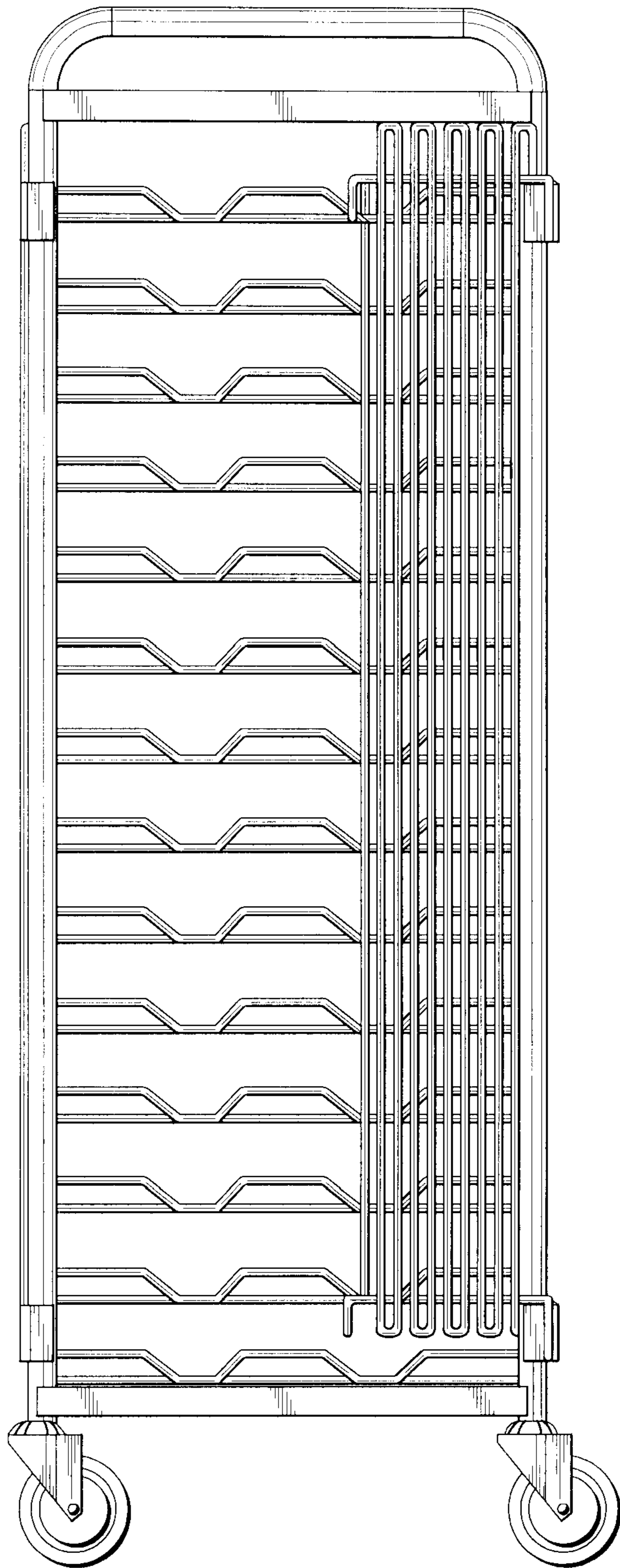
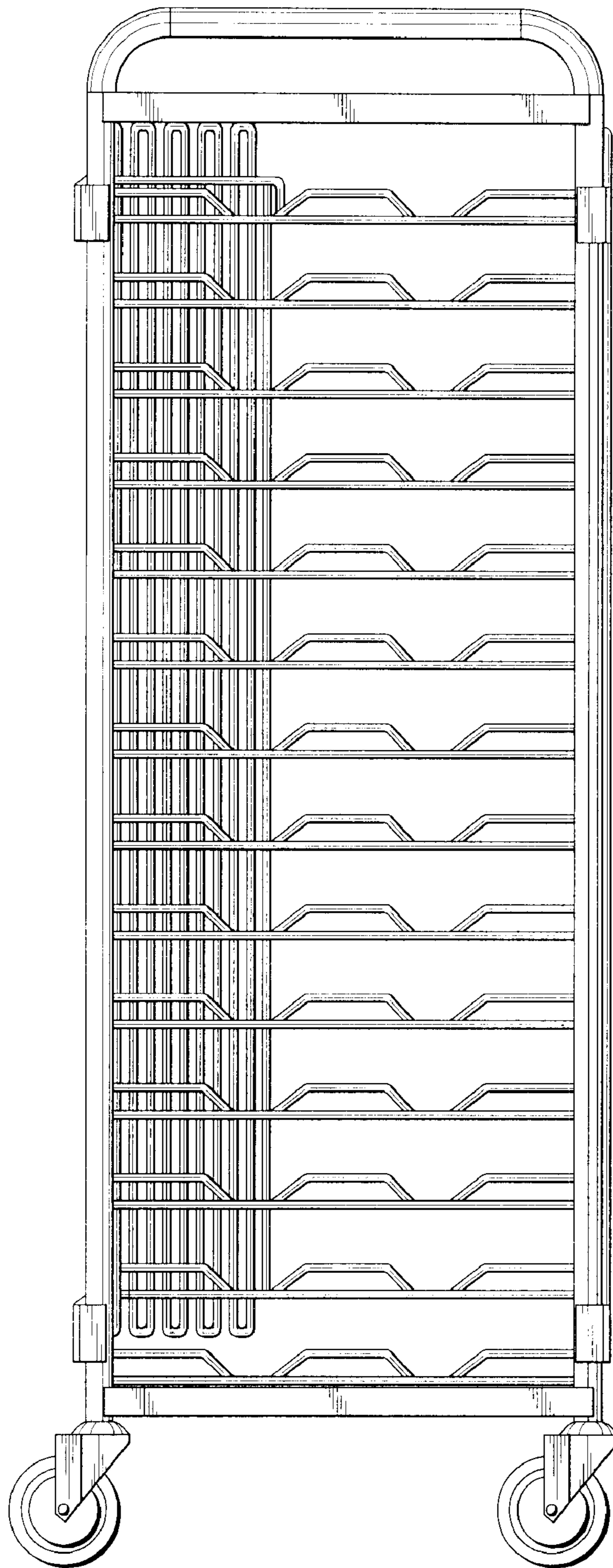


FIG. 4



**FIG. 6**



**FIG. 7**