

US00D514268S

(12) **United States Design Patent**
Schuster

(10) **Patent No.:** **US D514,268 S**
(45) **Date of Patent:** **** Jan. 31, 2006**

(54) **DEVICE FOR DISPENSING PACKING MATERIALS FROM A BAG**

5,512,099 A * 4/1996 Grossweiler et al. 141/332
5,785,369 A * 7/1998 Ridley et al. 294/1.1
5,879,039 A * 3/1999 Baker et al. 294/55

(75) Inventor: **Allen P. Schuster**, Fort Worth, TX (US)

* cited by examiner

(73) Assignee: **Doc Allen's Tool, Ltd.**, Fort Worth, TX (US)

Primary Examiner—Terry A. Wallace

(74) *Attorney, Agent, or Firm*—Charles D. Gunter, Jr.

(**) Term: **14 Years**

(57) **CLAIM**

(21) Appl. No.: **29/209,087**

The ornamental design for a device for dispensing packaging materials from a bag, as shown and described.

(22) Filed: **Jul. 9, 2004**

DESCRIPTION

(51) **LOC (8) Cl.** **09-09**

(52) **U.S. Cl.** **D34/1; D7/700**

(58) **Field of Classification Search** D34/1,
D34/10; D7/700; D8/1; D15/150; D23/200;
248/95-101; 294/1.1, 55; 141/108, 316, 390,
141/95, 98, 297-300, 331-345

FIG. 1 is a side view of the device of the invention;
FIG. 2 is a front view of the device of FIG. 1;
FIG. 3 is a rear view of the device of FIG. 1;
FIG. 4 is a top view of the device of FIG. 1;
FIG. 5 is a bottom view of the device of FIG. 1;
FIG. 6 is a perspective view of the device of FIG. 1; and,
FIG. 7 is a perspective view of the device of the invention
in place on a garbage bag showing its intended use, the
garbage bag being shown in phantom lines and not forming
a part of the invention.

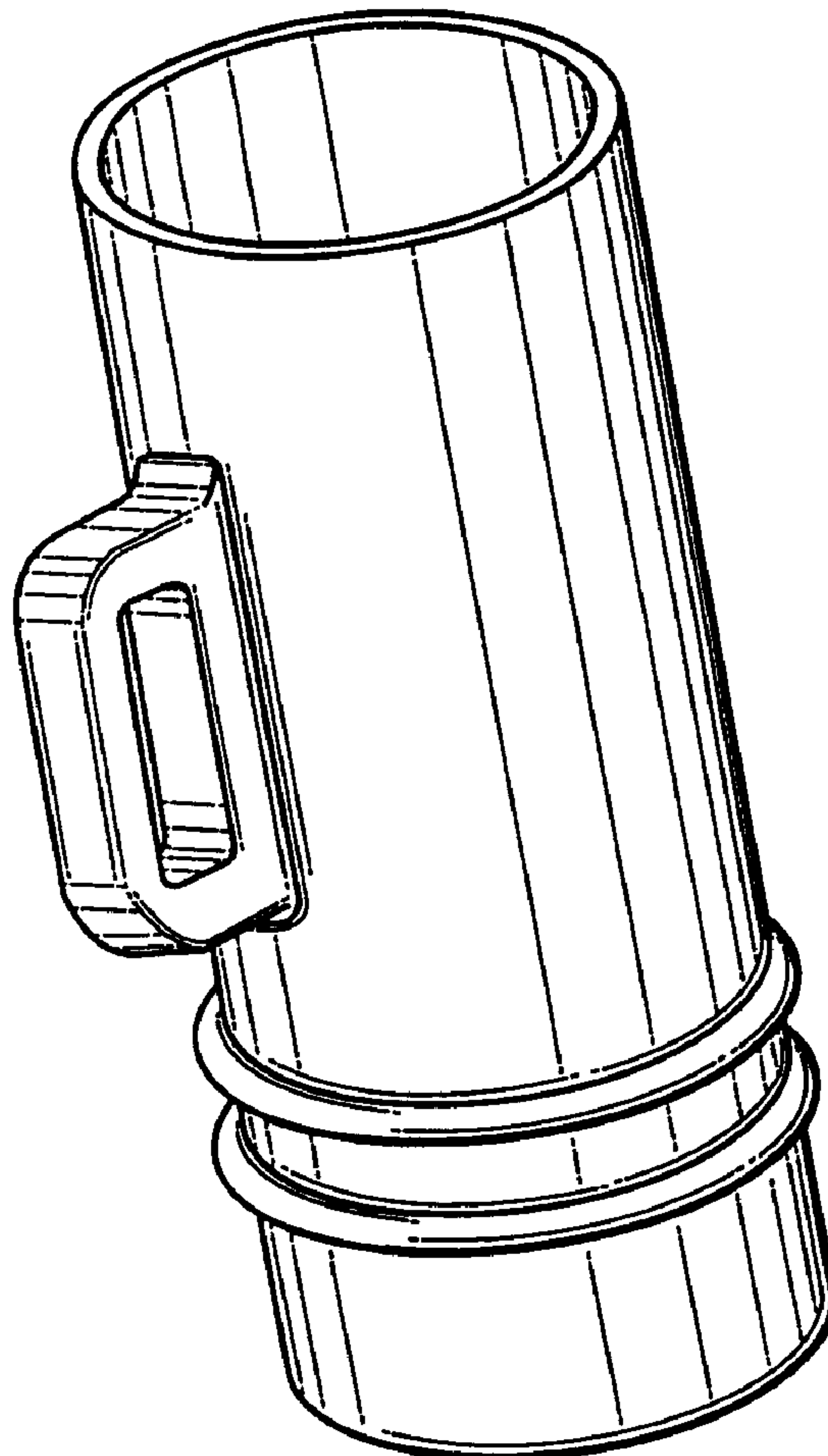
See application file for complete search history.

(56) **References Cited**

U.S. PATENT DOCUMENTS

571,513 A * 11/1896 Davidson 141/108
D273,793 S * 5/1984 Nachatelo D15/150

1 Claim, 2 Drawing Sheets



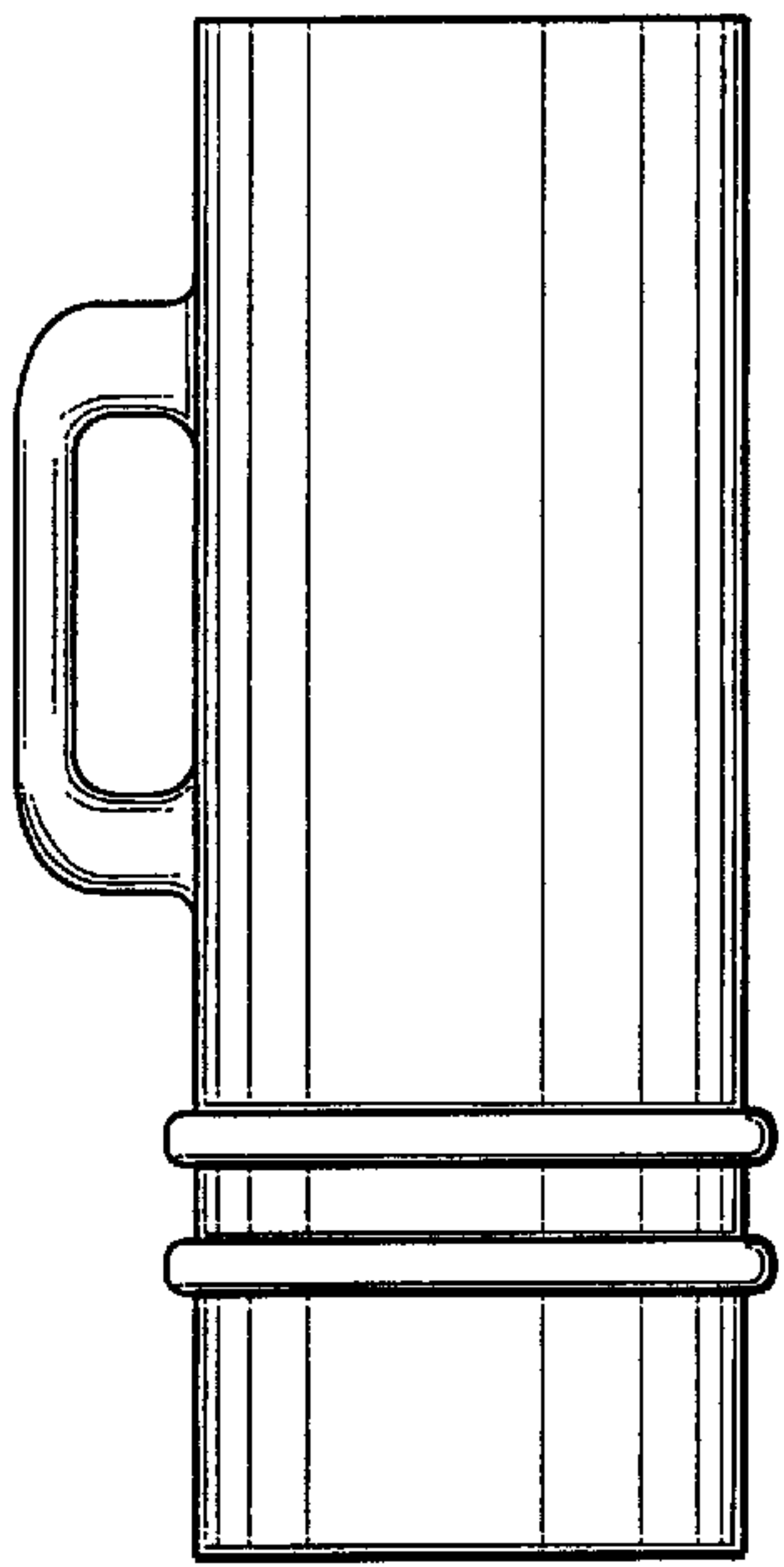


Fig. 1

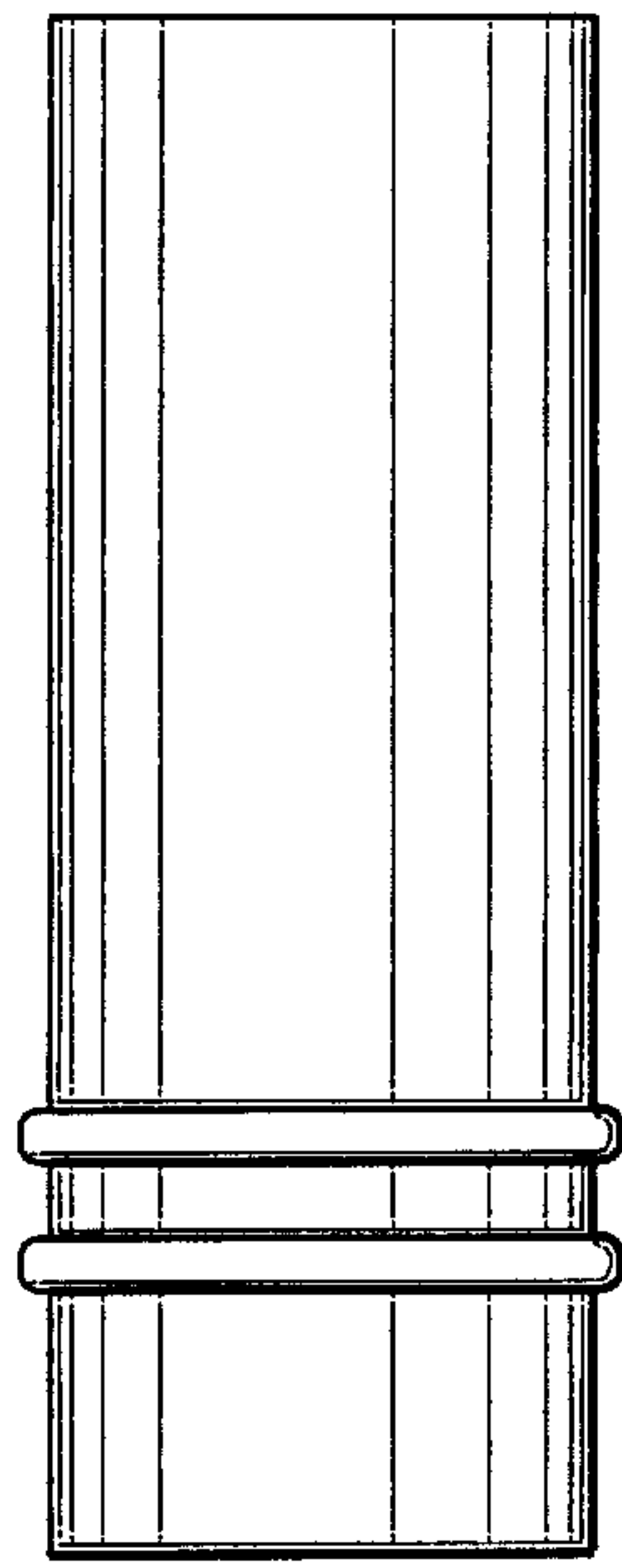


Fig. 2

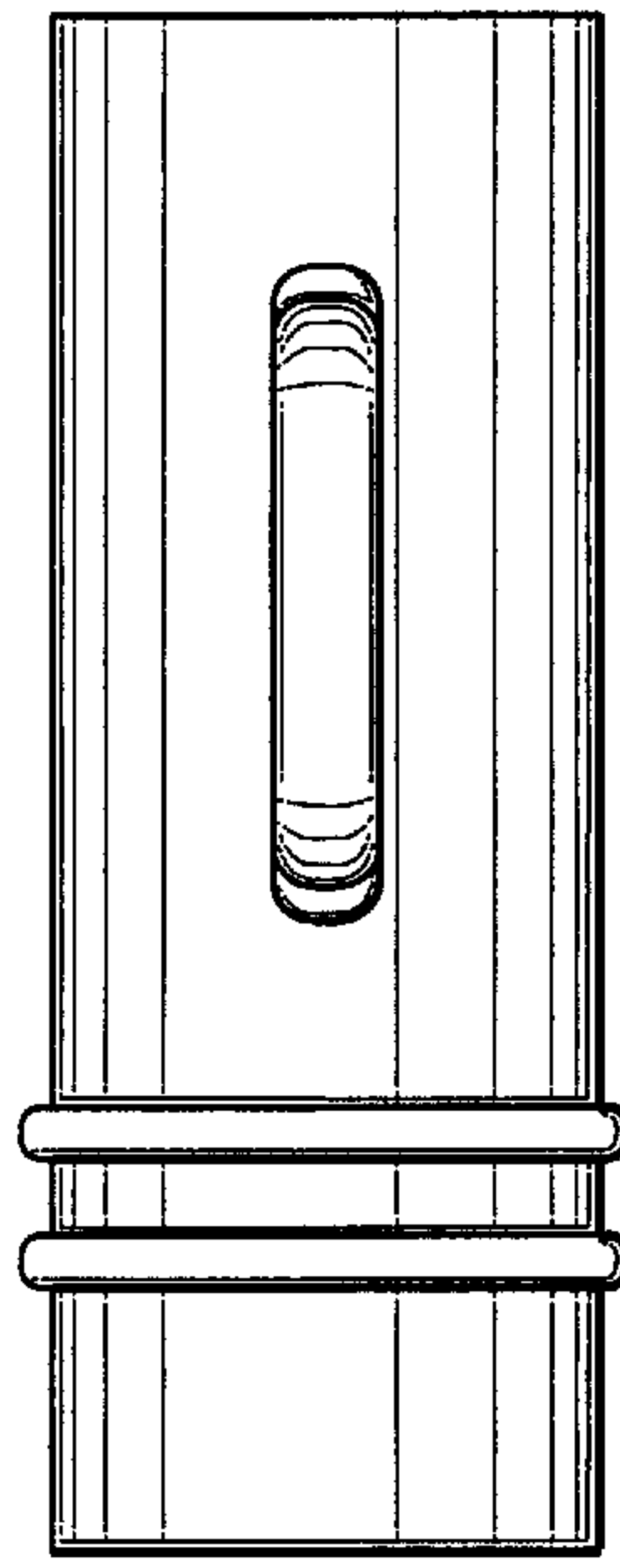


Fig. 3

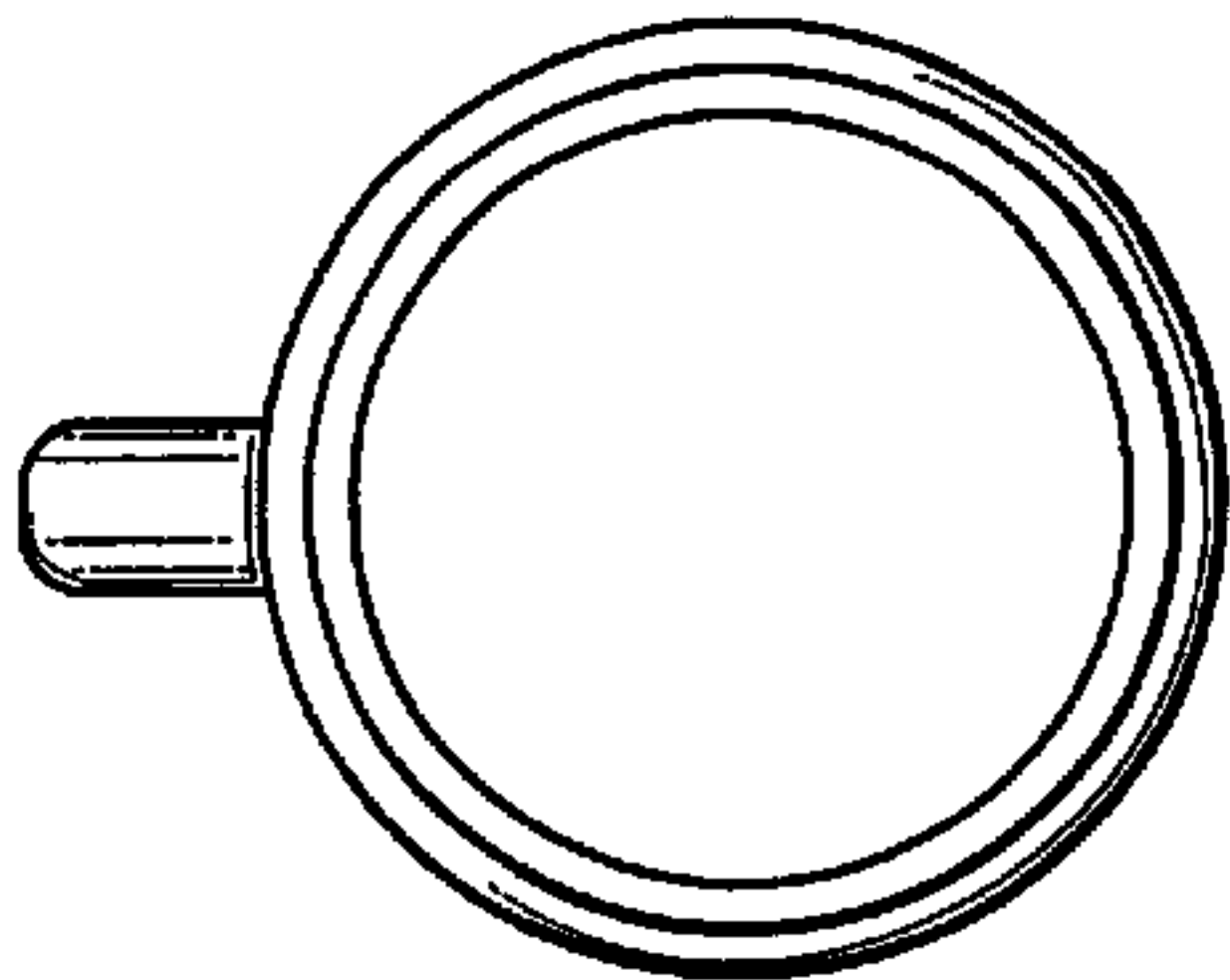


Fig. 4

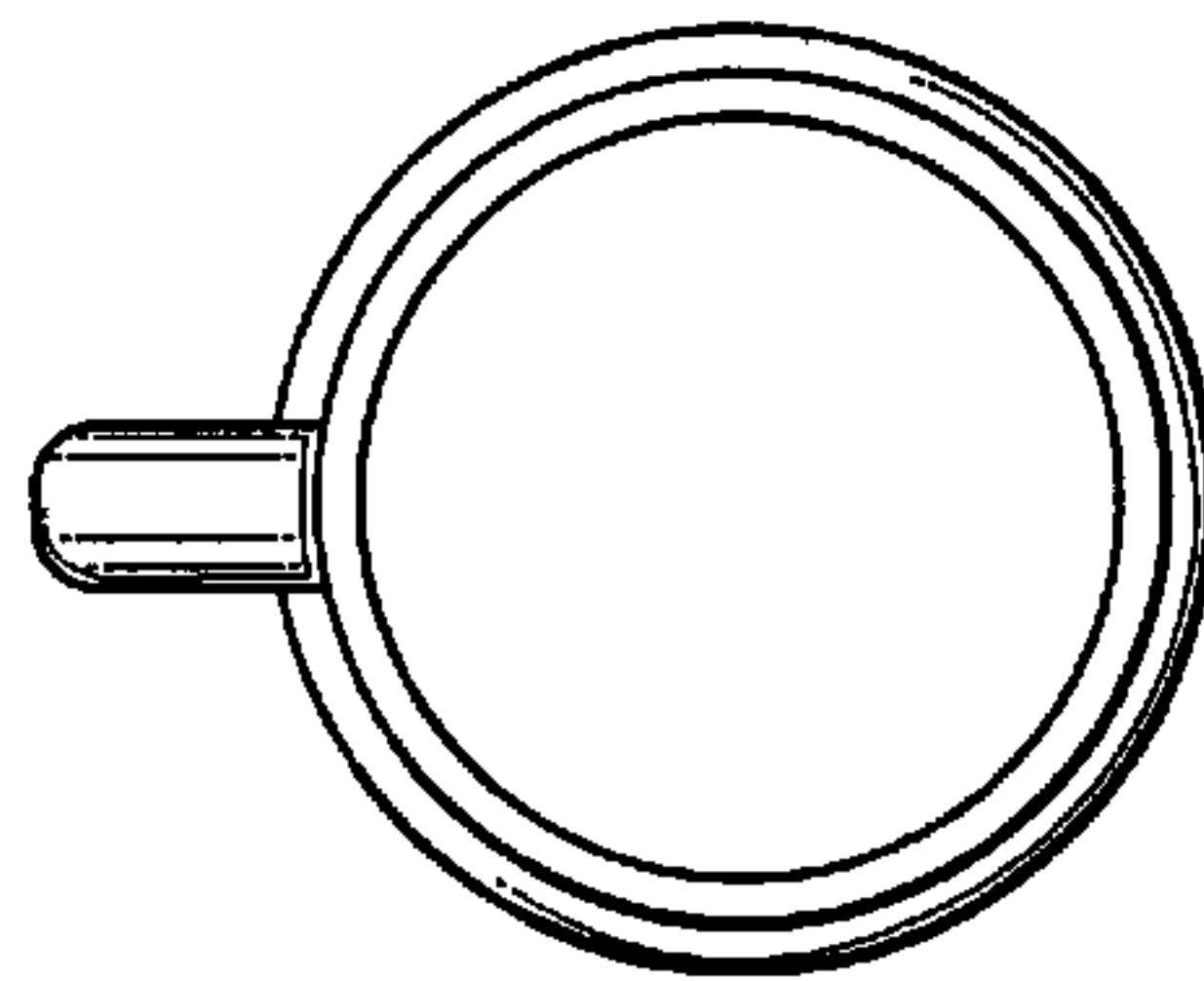


Fig. 5

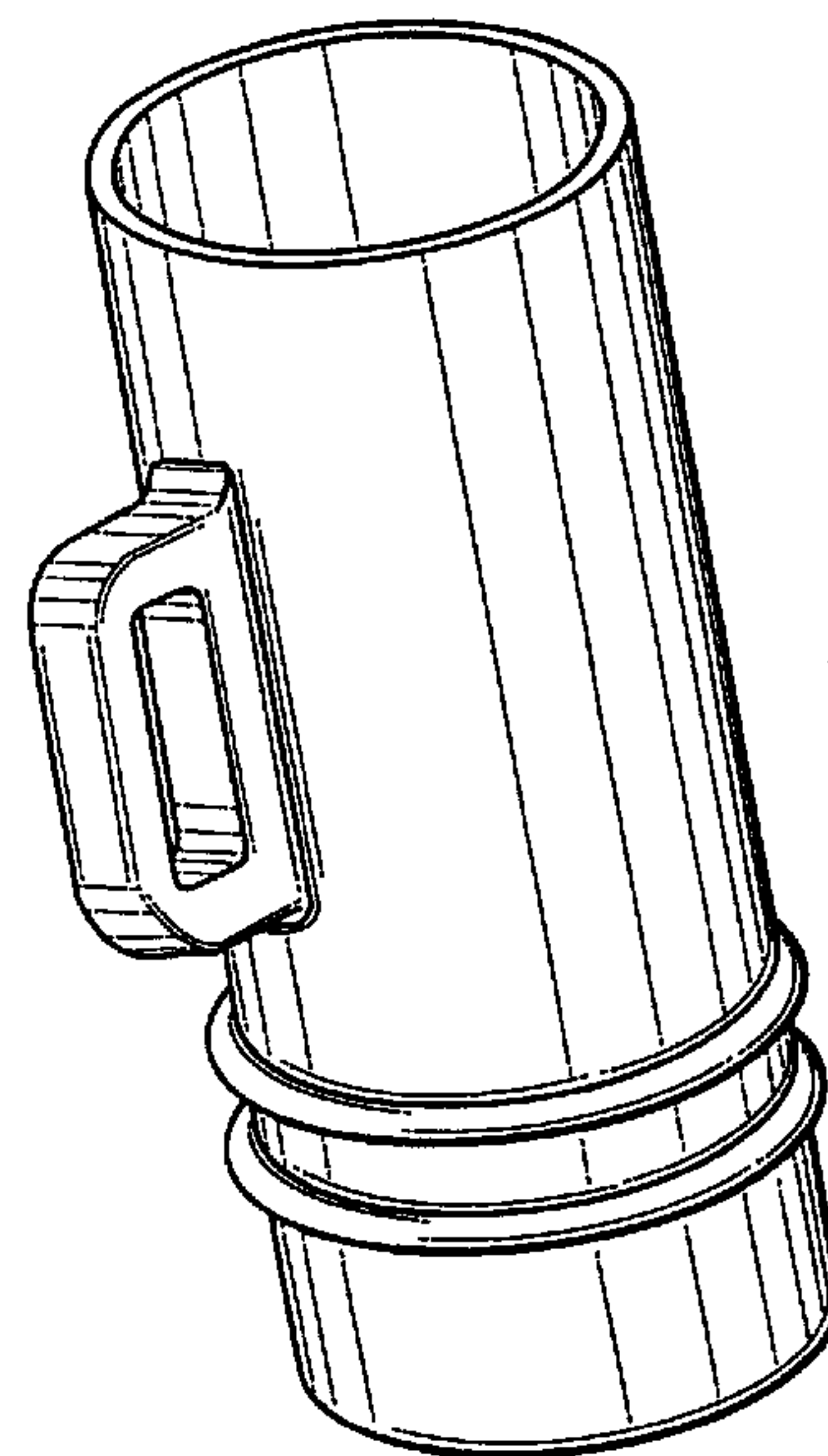


Fig. 6

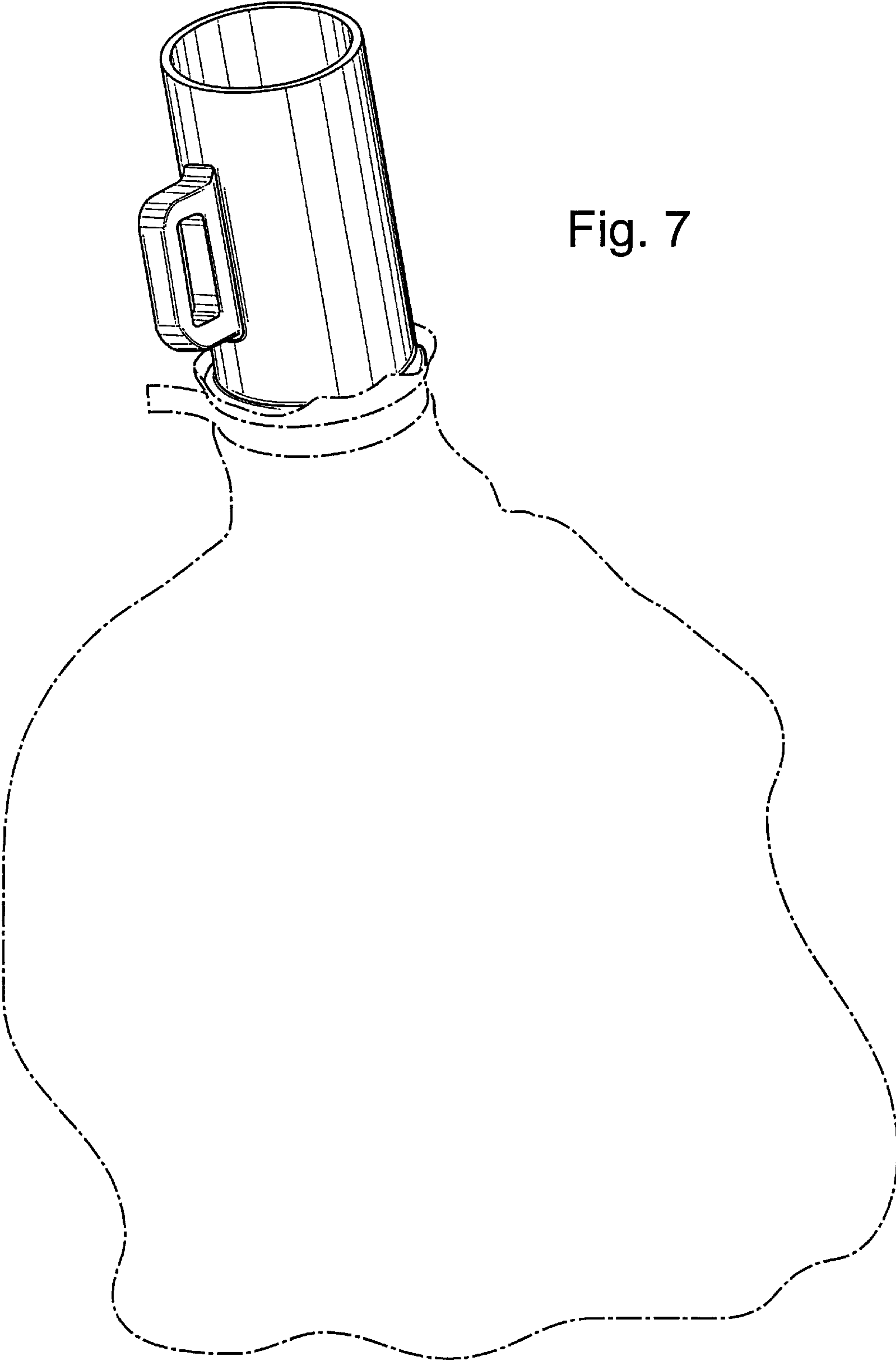


Fig. 7