



US00D514265S

(12) **United States Design Patent**
Vaajakallio

(10) **Patent No.:** **US D514,265 S**
(45) **Date of Patent:** **** Jan. 31, 2006**

(54) **DRYER OF A WEB-LIKE PRODUCT, SUCH AS A PAPER WEB**

(75) Inventor: **Jukka Vaajakallio, Lohja (FI)**

(73) Assignee: **Metso Paper, Inc., Helsinki (FI)**

(**) Term: **14 Years**

(21) Appl. No.: **29/182,413**

(22) Filed: **May 27, 2003**

(30) **Foreign Application Priority Data**

Nov. 29, 2002 (FI) M20020694

(51) **LOC (8) Cl.** **15-05**

(52) **U.S. Cl.** **D32/1**

(58) **Field of Classification Search** D32/1,
D32/25; 34/523, 94, 611, 122

See application file for complete search history.

(56) **References Cited**

U.S. PATENT DOCUMENTS

222,353 A * 12/1879 Hayden 34/523

3,946,497 A * 3/1976 Carter 34/122
4,096,643 A * 6/1978 Fatcher 34/122
4,774,773 A * 10/1988 Zwysig 34/523
6,449,874 B2 * 9/2002 Pellinen 34/122
D492,072 S * 6/2004 Vaajakallio D32/1

* cited by examiner

Primary Examiner—Robert A. Delehanty

(74) *Attorney, Agent, or Firm*—Stiennon & Stiennon

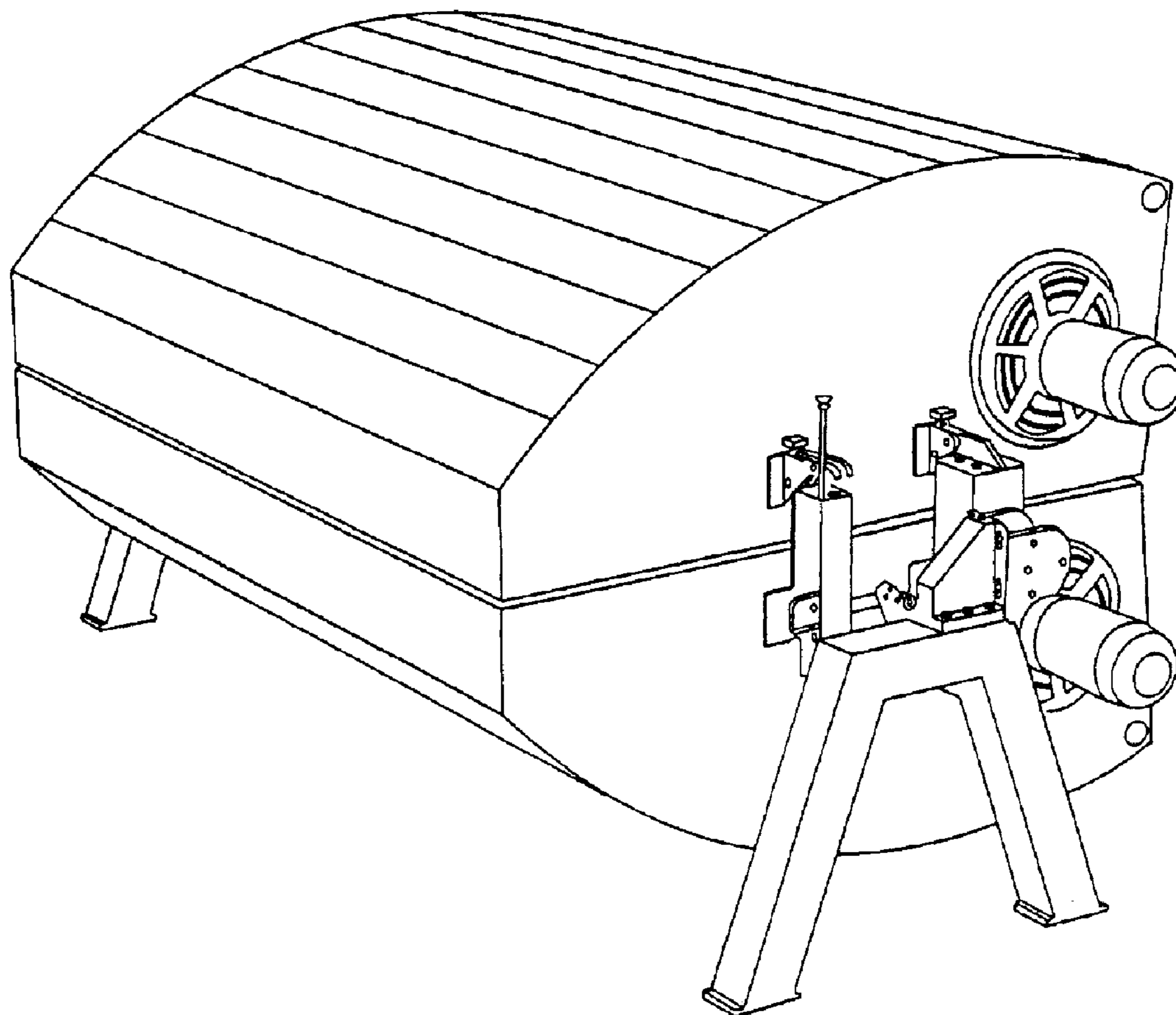
(57) **CLAIM**

The ornamental design for a dryer of a web-like product, such as a paper web, as shown and described.

DESCRIPTION

FIG. 1 is a perspective view of the dryer of a web-like product, such as a paper web of this invention; FIG. 2 is a right side elevational view thereof; FIG. 3 is a left side elevational view thereof; FIG. 4 is a front elevational view thereof; FIG. 5 is a rear elevational view thereof; FIG. 6 is a top plan view thereof; and, FIG. 7 is a bottom plan view thereof.

1 Claim, 7 Drawing Sheets



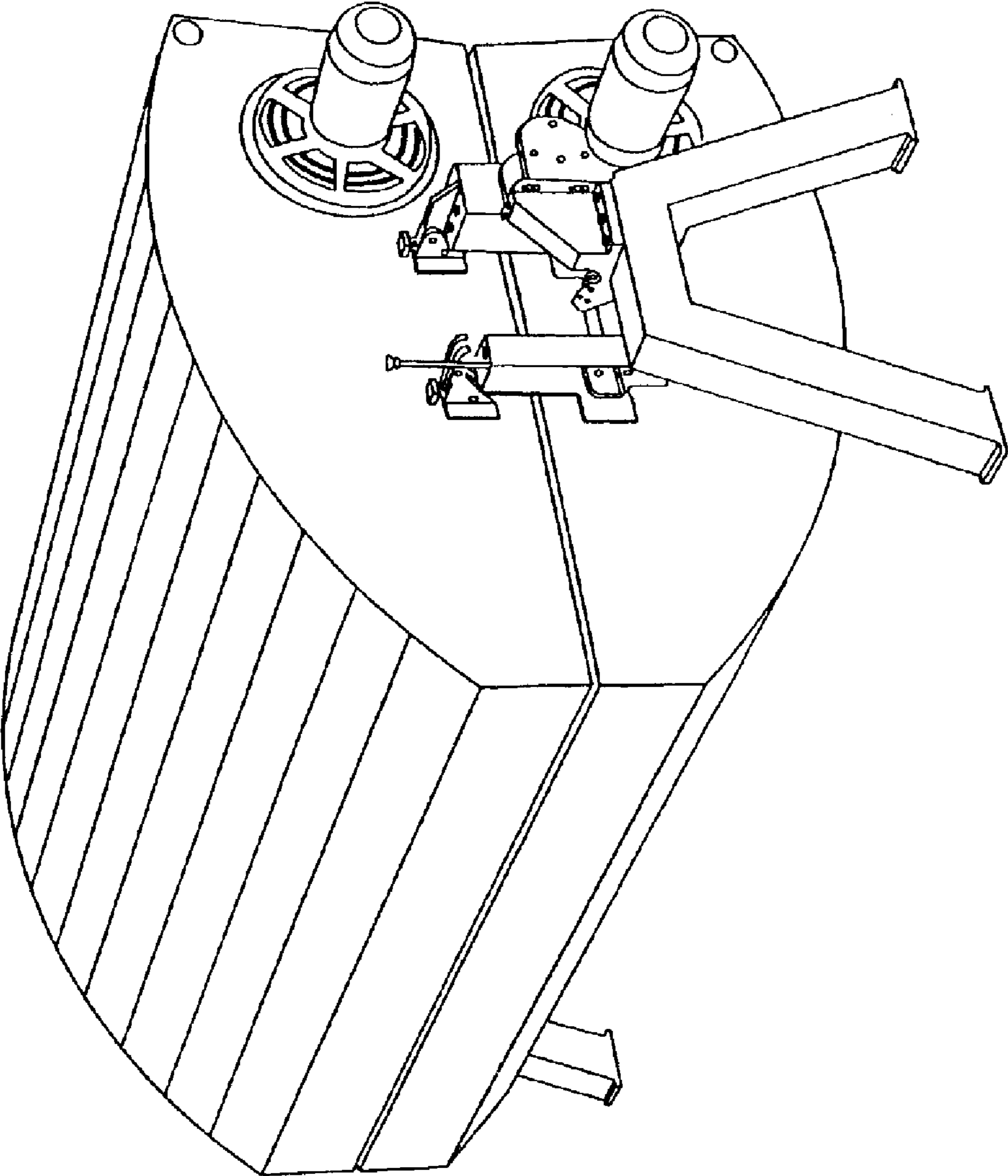


Fig. 1

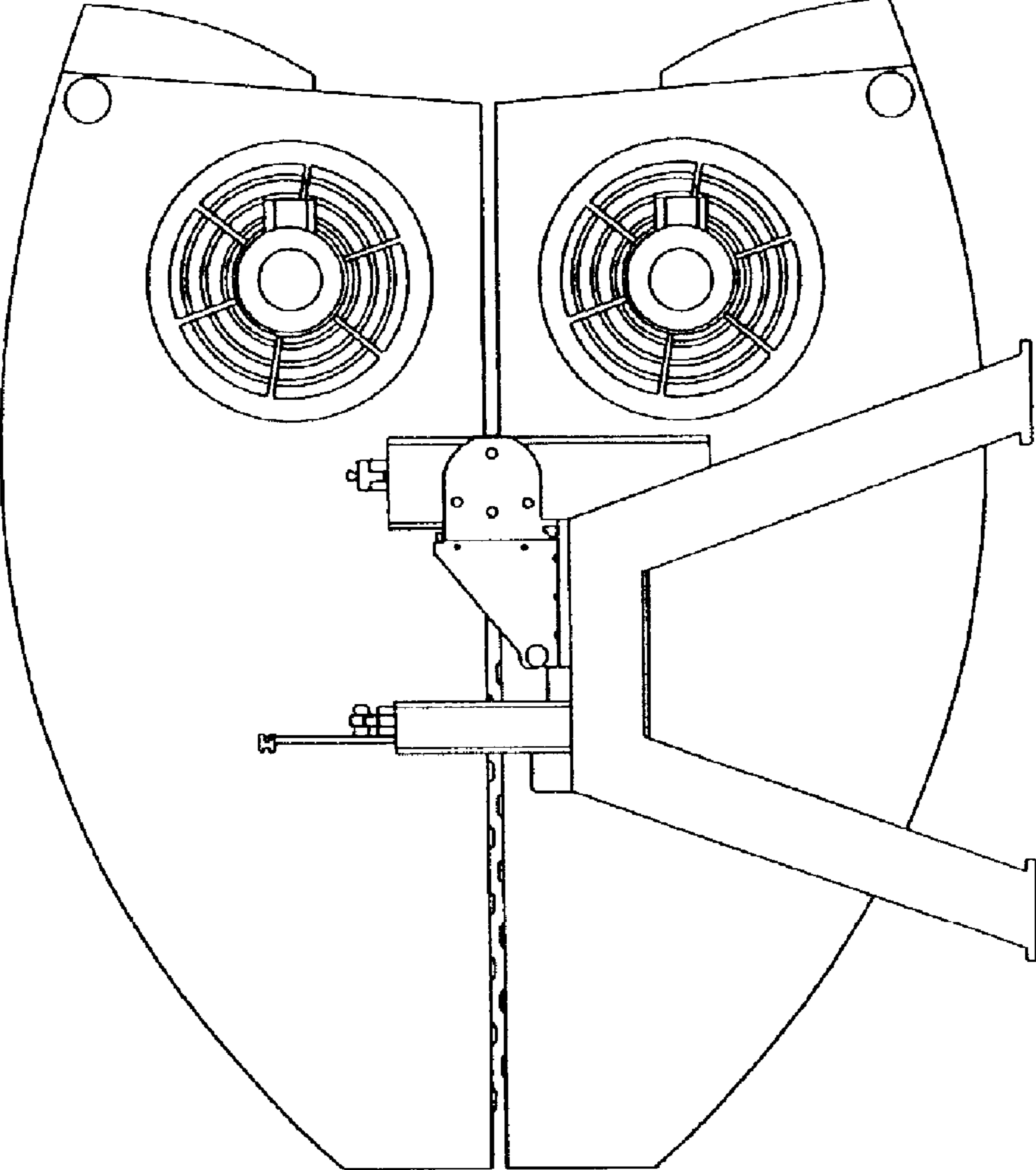


Fig. 2

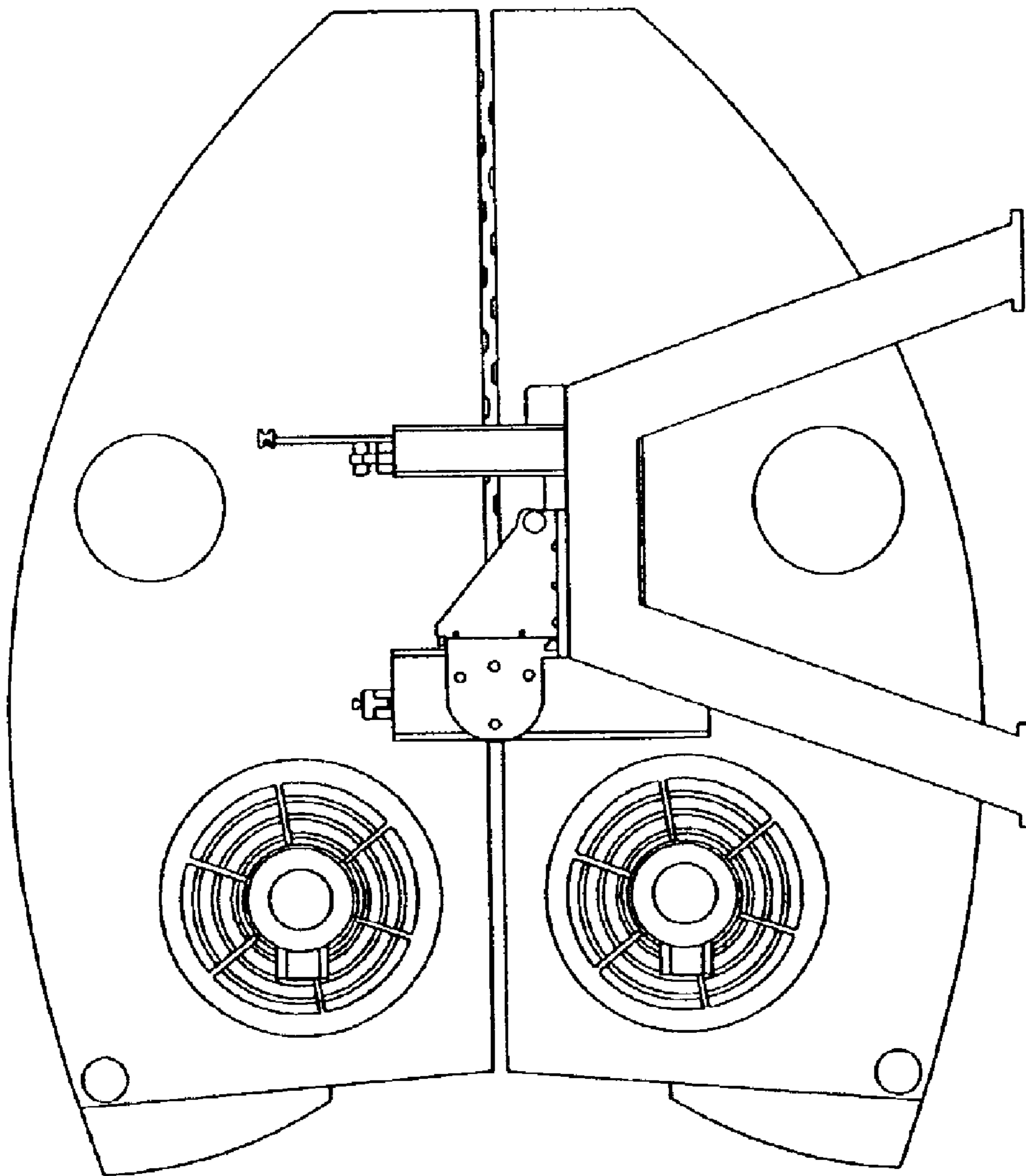


Fig. 3

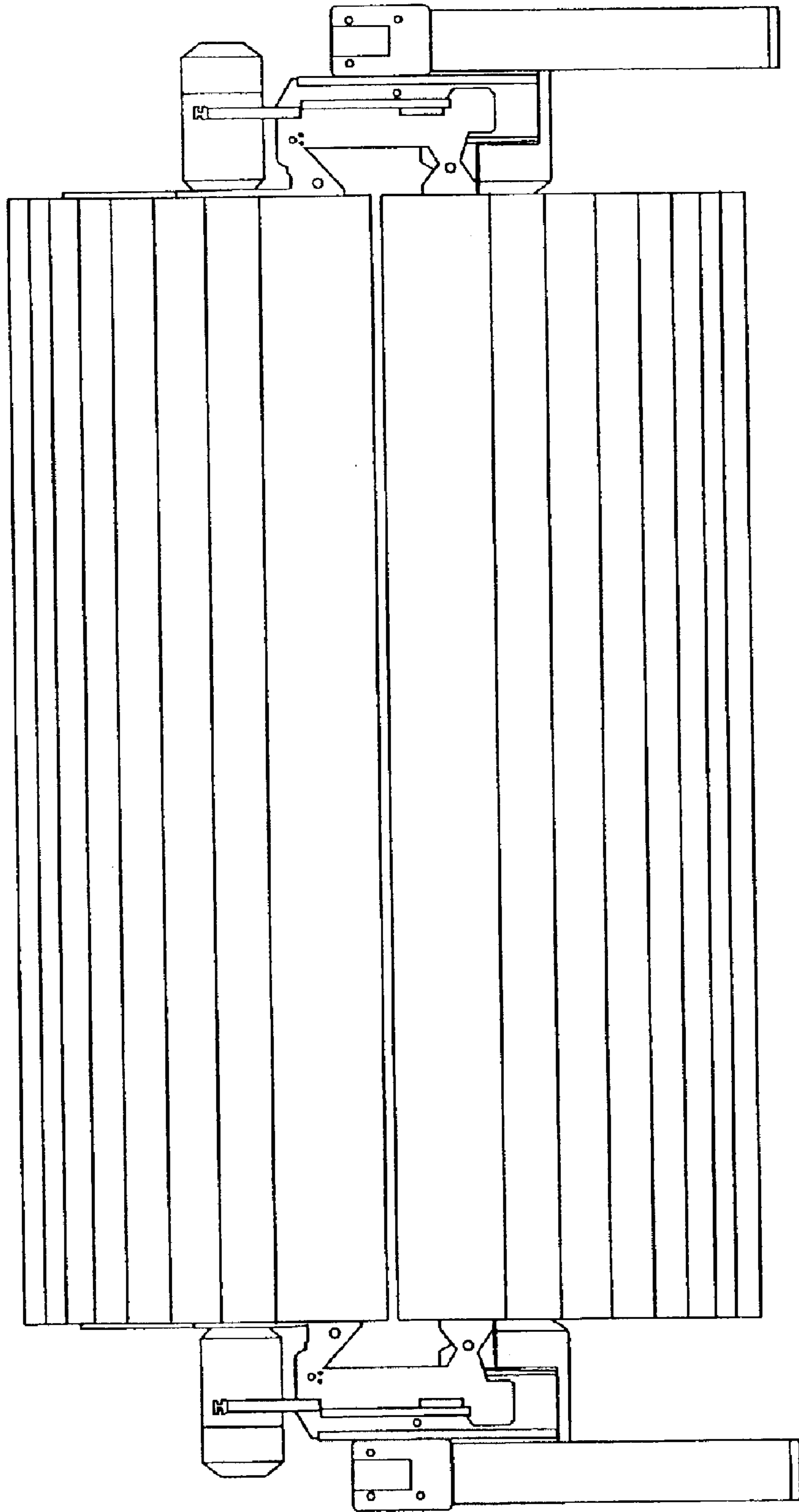


Fig. 4

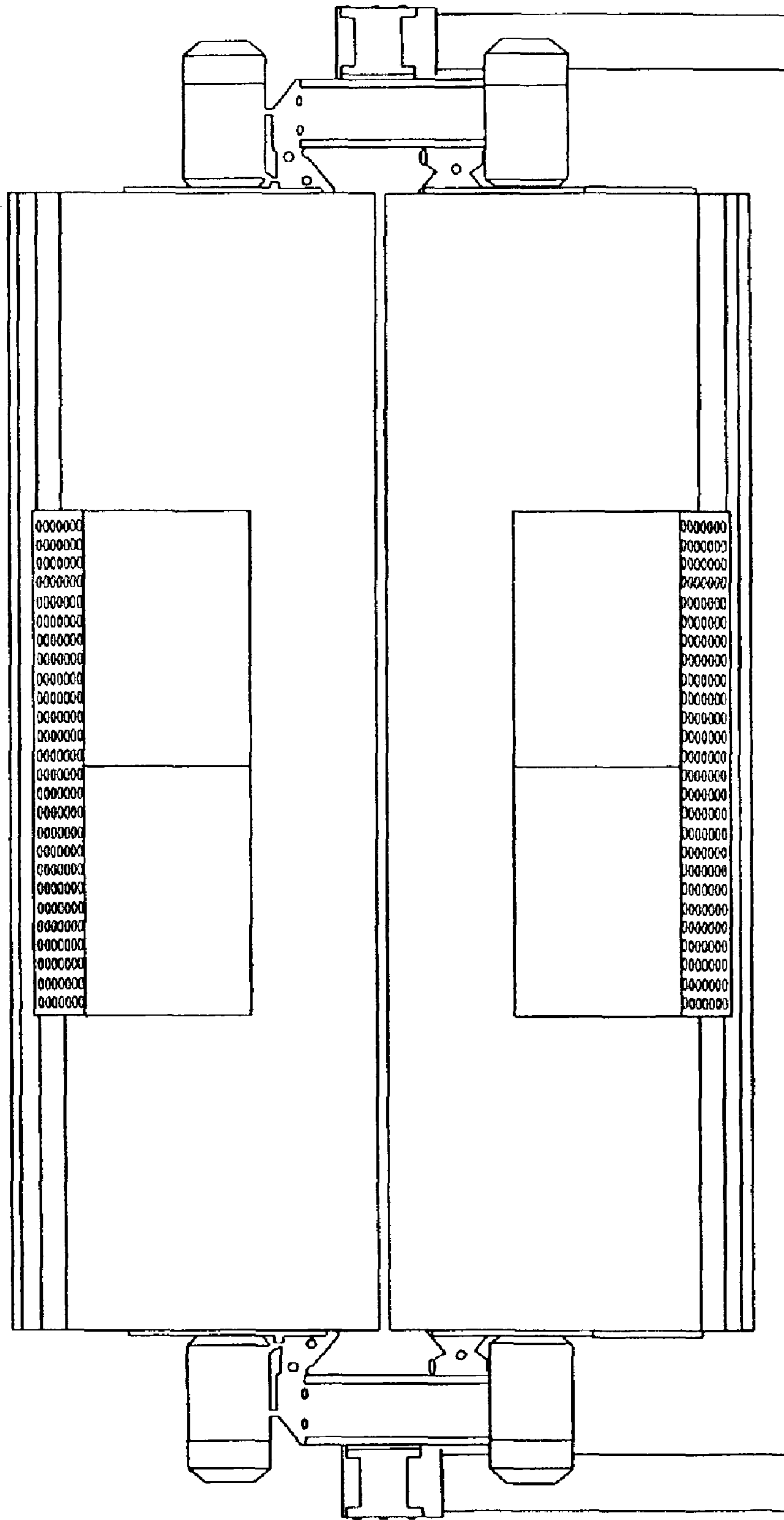


Fig. 5

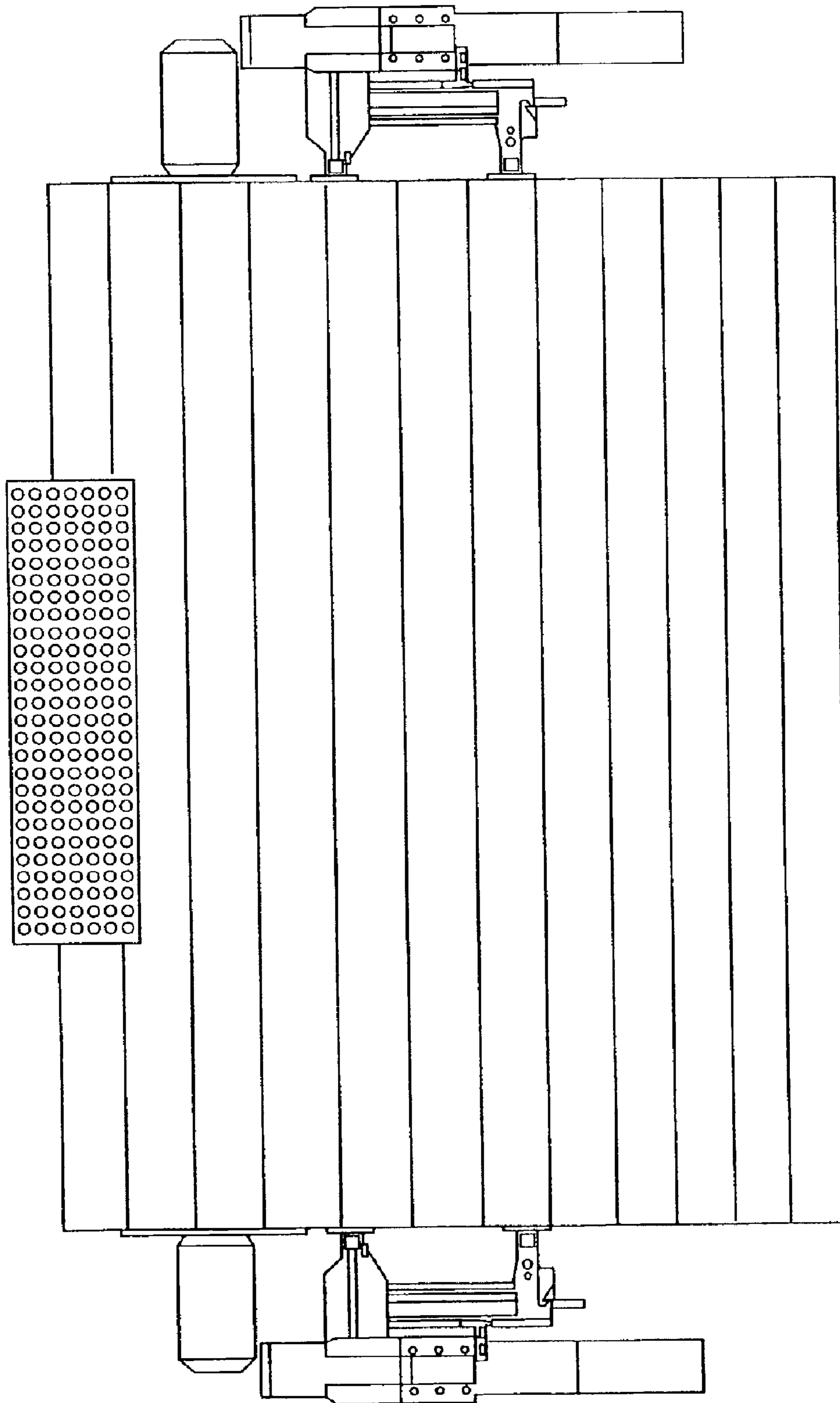


Fig. 6

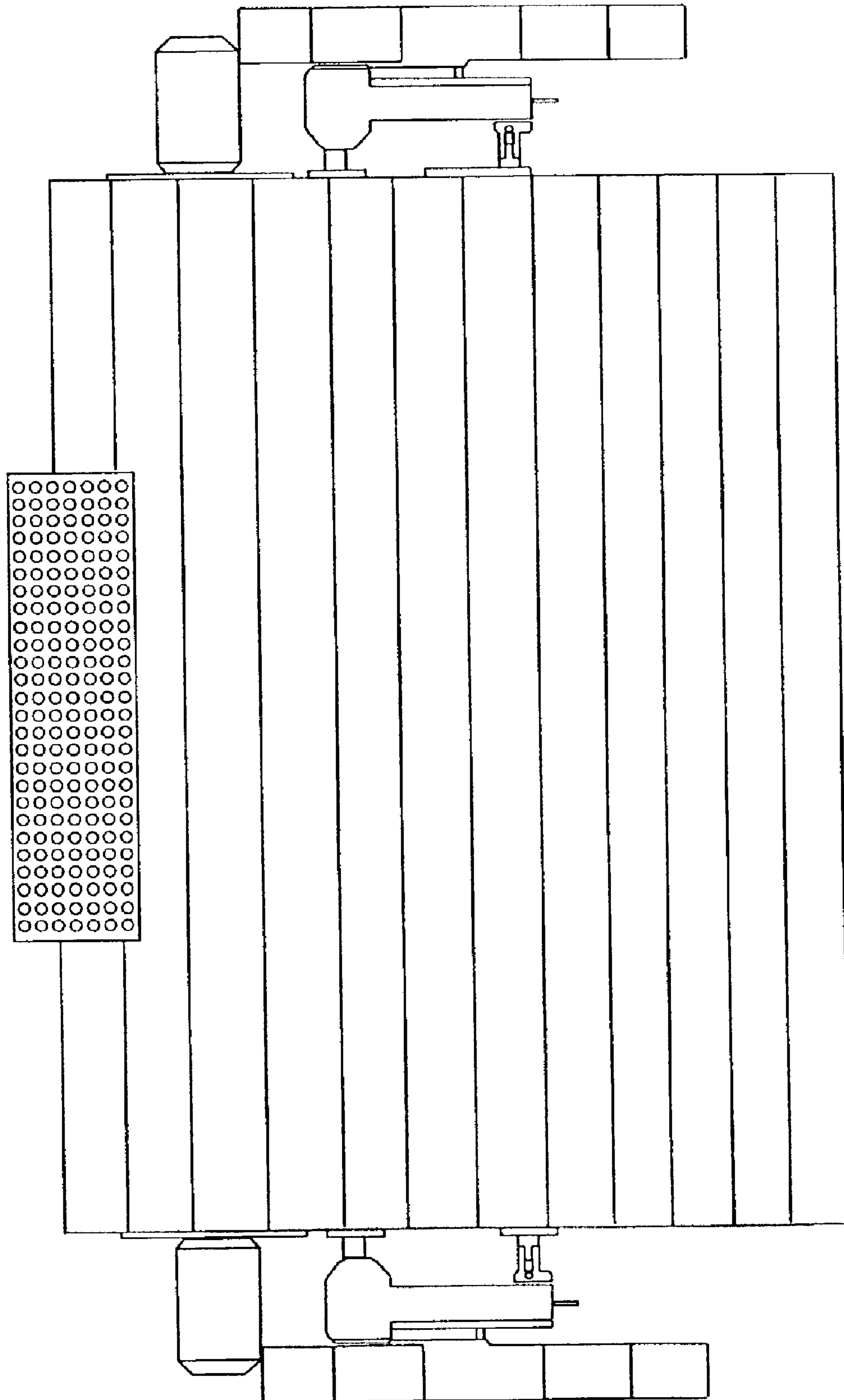


Fig. 7