



US00D514263S

(12) **United States Design Patent** (10) **Patent No.:** **US D514,263 S**
Willinger (45) **Date of Patent:** **** Jan. 31, 2006**

(54) **POLYHEDRAL SKELETAL ANIMAL TOY**
 (75) Inventor: **Jonathan Willinger**, Tenafly, NJ (US)
 (73) Assignee: **JW Pet Company**, Teterboro, NJ (US)
 (**) Term: **14 Years**

3,889,950 A 6/1975 Kasravi
 3,908,994 A * 9/1975 Astrom 473/281
 D264,364 S * 5/1982 Pazurek D21/713
 D287,988 S 1/1987 Billingham
 4,701,131 A 10/1987 Hildebrandt et al.
 D314,455 S * 2/1991 Morton D30/160
 5,158,284 A * 10/1992 Vogl 473/594

(21) Appl. No.: **29/180,434**
 (22) Filed: **Apr. 23, 2003**

(Continued)

Related U.S. Application Data

(63) Continuation-in-part of application No. 29/149,554, filed on Oct. 12, 2001, now Pat. No. Des. 477,441, which is a continuation-in-part of application No. 09/847,564, filed on May 2, 2001, now abandoned.
 (51) **LOC (8) Cl.** **30-99**
 (52) **U.S. Cl.** **D30/160; D21/713**
 (58) **Field of Classification Search** D30/158, D30/160, 199; D21/468, 470, 498-501, 504, D21/681-682, 707-708, 713, 685, 662; 119/702, 119/706-711; 482/35; 473/52, 281, 569, 473/571, 594; 273/118 D; 72/348; D1/106; D24/194, 211-212; 446/103-104, 106, 108, 446/110, 119, 121, 125, 127-128; 434/211, 434/278, 403; 601/118-121, 131
 See application file for complete search history.

References Cited

U.S. PATENT DOCUMENTS

D80,740 S 3/1930 Perry
 2,211,330 A * 8/1940 Hochberg 273/118 D
 2,597,704 A * 5/1952 Carlson 473/280
 2,938,727 A * 5/1960 Nosak 473/596
 3,073,598 A * 1/1963 Tiikkainen 473/594
 D214,928 S 8/1969 Swett et al.
 D219,284 S 11/1970 Hunt
 3,633,587 A 1/1972 Hunt
 3,679,212 A * 7/1972 Smith 473/594

OTHER PUBLICATIONS

Kitten Gym flier.*
 SPORTIME; GrabBall; Jan. 2, 2002.*
 Hol-ee Roller ball; Feb. 5, 2002.*
 SPORTIME; p. 288; Pee Gee Golf Balls #1-47780-541.*
 Printout from <http://www.sportime.com/products/grabball.shtml> on Jan 2, 2002, illustrating the Grabball™ product from Sportime LLC, along with two photographs taken by the Applicant showing the Grabball product and a closeup of the Grabball product as compared with the Applicant's product.
 Printout from <http://www.oakwood.edu/chemistry/buckyball.html> on Jan. 2, 2002 with Buckyball illustration.

Primary Examiner—Cathy Anne MacCormac
 (74) *Attorney, Agent, or Firm*—Katten Muchin Zavis Rosenman

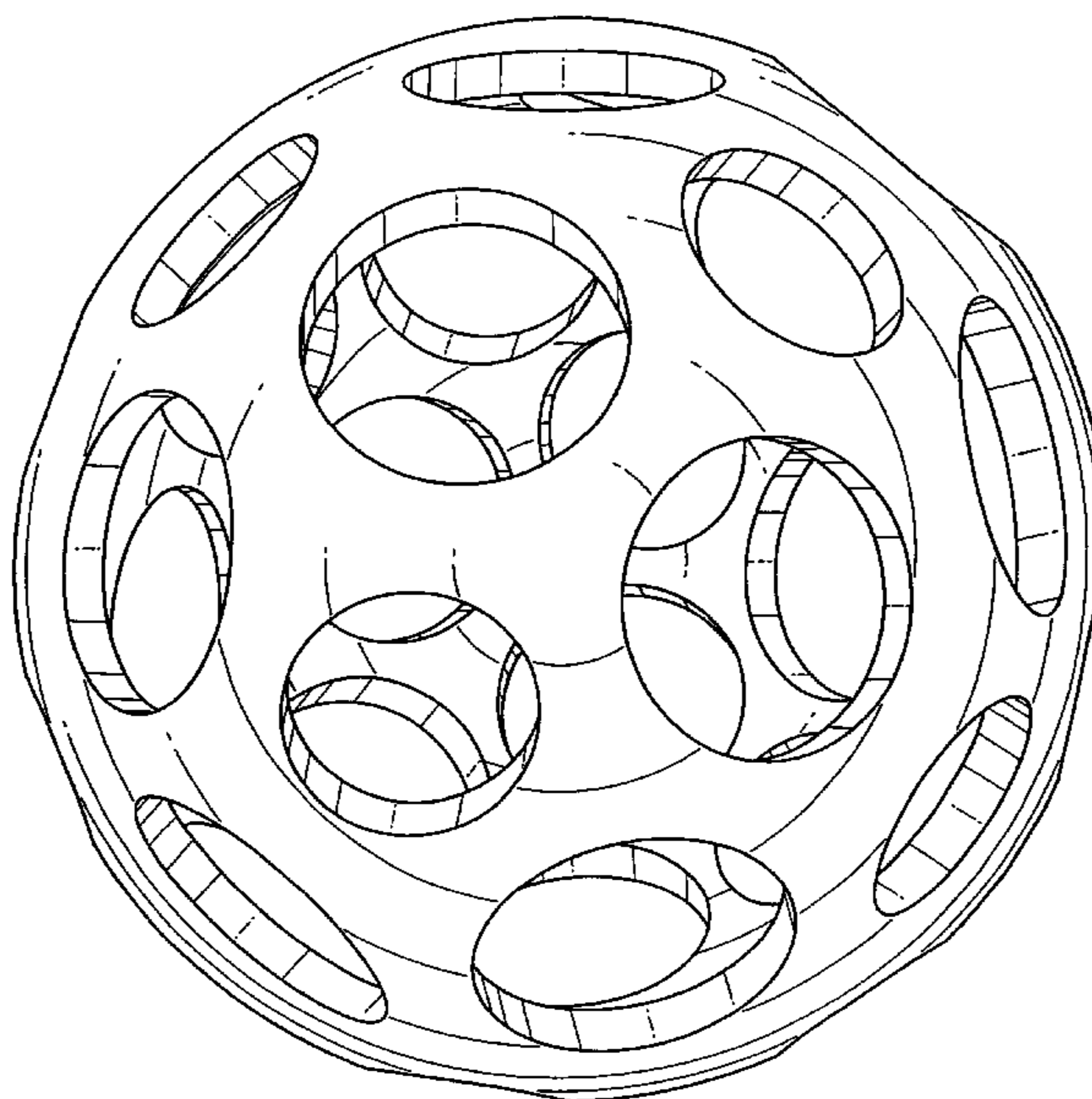
CLAIM

(57) I claim the ornamental design for a polyhedral skeletal animal toy, as shown and described.

DESCRIPTION

FIG. 1 is a front view of a polyhedral skeletal animal toy showing our new design, the rear view being identical; FIG. 2 is a right side view thereof, the left side view being identical; and, FIG. 3 is a perspective view thereof.

1 Claim, 3 Drawing Sheets



US D514,263 S

Page 2

U.S. PATENT DOCUMENTS

D332,982 S	2/1993	Norman et al.	D400,620 S	11/1998	Barton, Jr.
5,224,959 A	7/1993	Kasper	D411,335 S	6/1999	Hester
5,236,196 A	8/1993	Blankenburg et al.	6,003,470 A	12/1999	Budman
5,269,526 A *	12/1993	Wollstein 473/159	6,012,997 A *	1/2000	Mason 473/594
D359,327 S	6/1995	Gould	6,098,571 A	8/2000	Axelrod et al.
5,480,143 A	1/1996	McMurry	D448,138 S	9/2001	Gokturk
5,564,369 A	10/1996	Barber et al.	D459,404 S *	6/2002	Perez D21/713
D381,593 S	7/1997	Dreyfus et al.	D489,494 S *	5/2004	Silvergate D30/160
5,800,244 A	9/1998	Barton, Jr.	D497,191 S *	10/2004	Shore D21/713

* cited by examiner

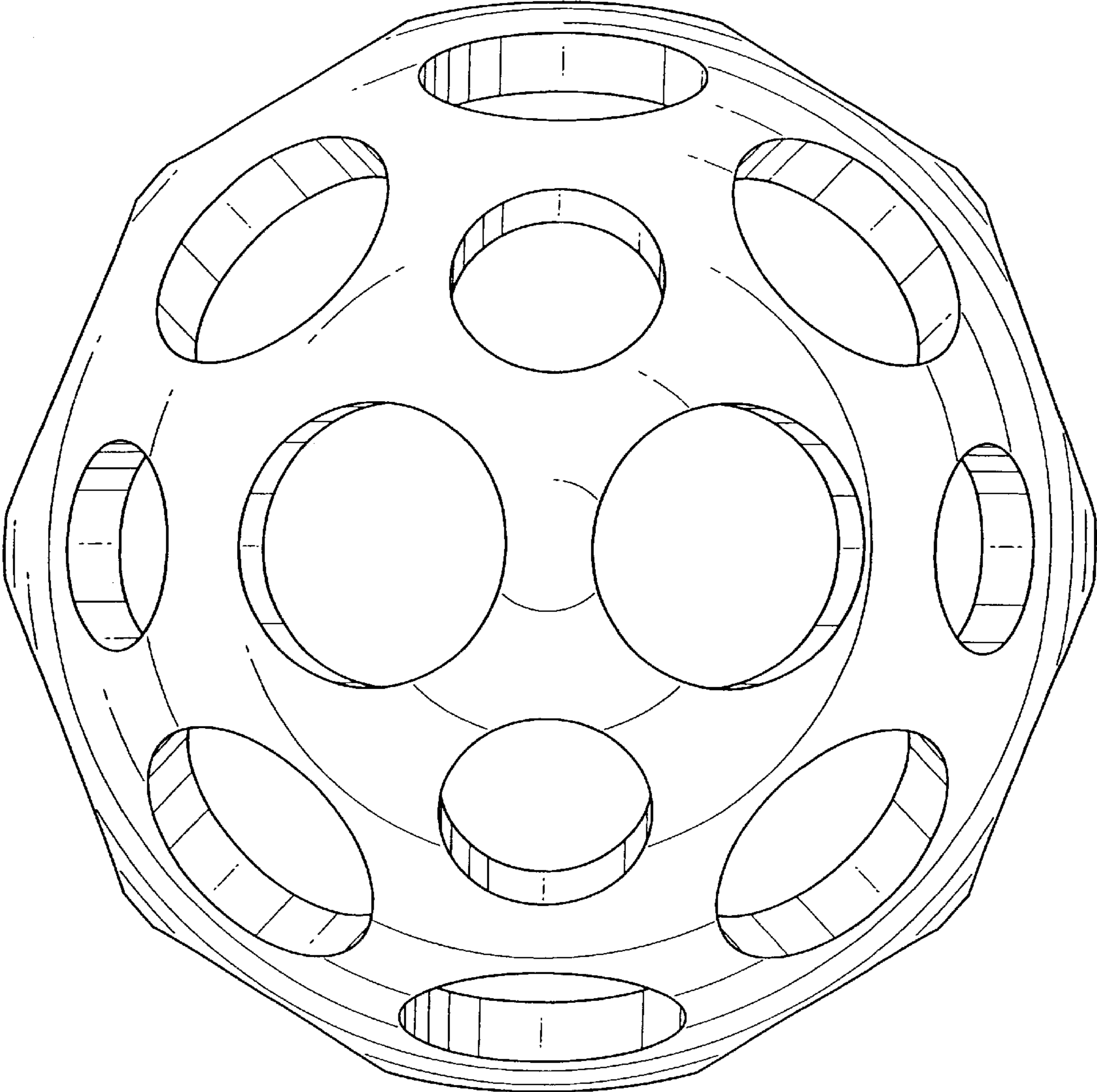


FIG. 1

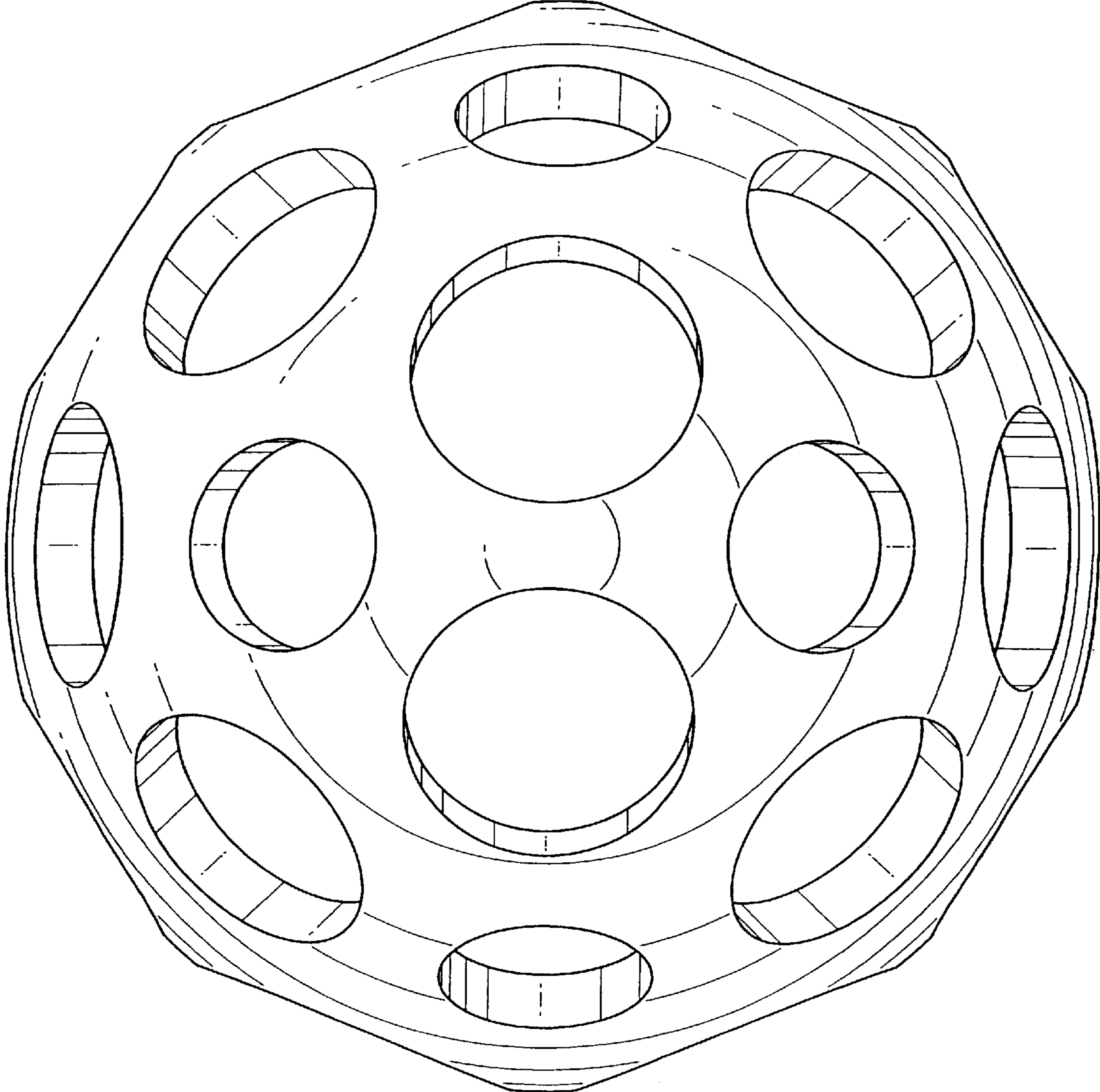


FIG. 2

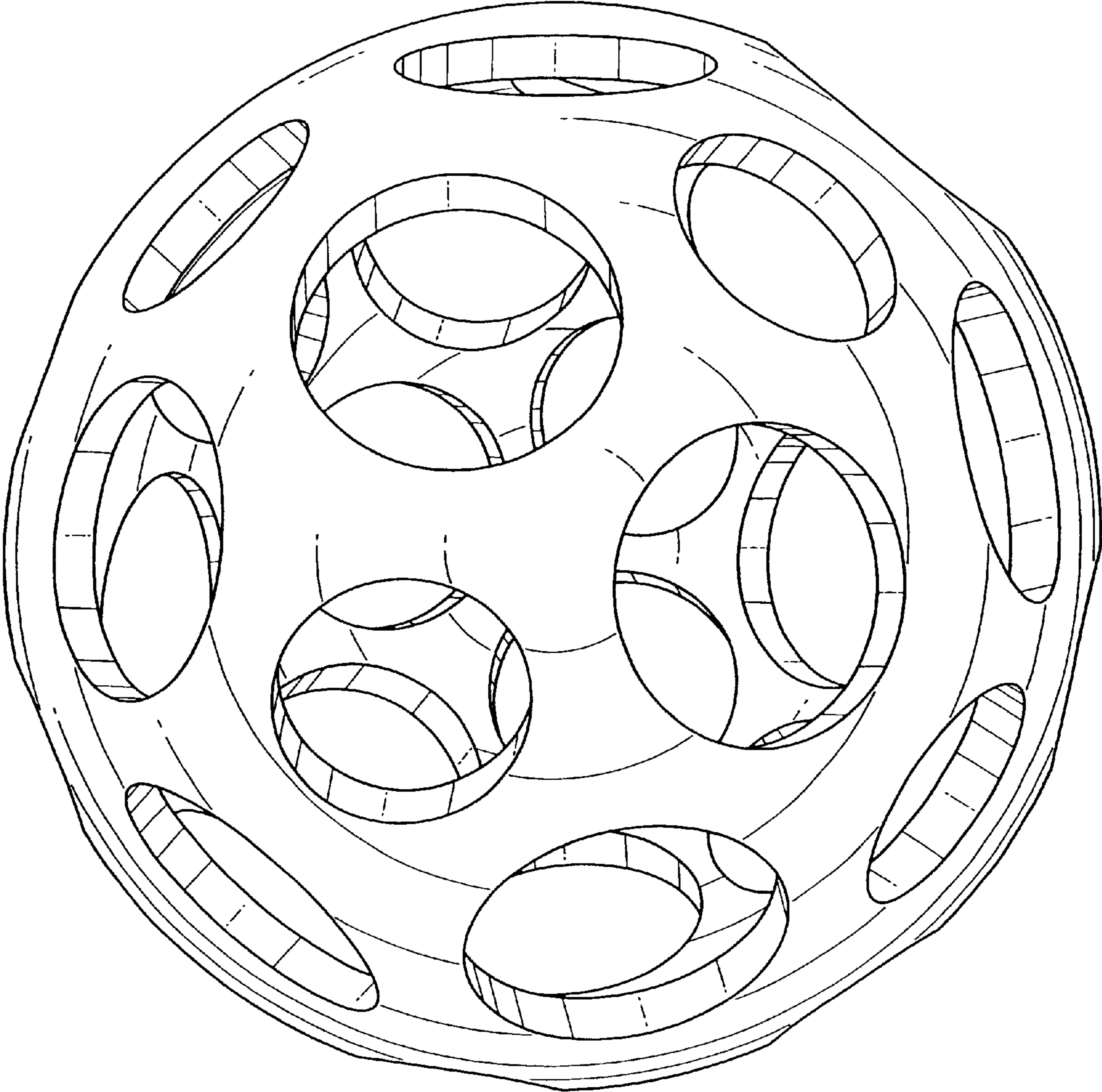


FIG. 3