



US00D514254S

(12) **United States Design Patent**
Nishizawa

(10) **Patent No.:** **US D514,254 S**
(45) **Date of Patent:** **** Jan. 31, 2006**

(54) **ELECTRIC SHAVER**

(75) **Inventor:** **Tsuyoshi Nishizawa, Yokohama (JP)**

(73) **Assignee:** **Matsushita Electronic Works, Ltd.,
Osaka (JP)**

(**) **Term:** **14 Years**

(21) **Appl. No.:** **29/218,398**

(22) **Filed:** **Nov. 29, 2004**

(30) **Foreign Application Priority Data**

May 31, 2004 (JP) 2004-016104

(51) **LOC (8) Cl.** **28-03**

(52) **U.S. Cl.** **D28/49**

(58) **Field of Classification Search** D28/49-54;
30/32, 34.05, 34.1, 34.2, 35, 41.9, 43, 43.1-43.9,
30/43.91, 43.92, 42, 44-46, 527
See application file for complete search history.

(56) **References Cited**

U.S. PATENT DOCUMENTS

| | | | | | |
|-----------------|---|---------|------------------|-------|---------|
| D377,847 S | * | 2/1997 | Sulik | | D28/49 |
| D441,912 S | * | 5/2001 | Micinilio | | D28/51 |
| D479,360 S | | 9/2003 | Nishizawa et al. | | D28/49 |
| D481,491 S | * | 10/2003 | Nishizawa et al. | | D28/49 |
| D495,832 S | * | 9/2004 | Maeda | | D28/51 |
| 2004/0163257 A1 | * | 8/2004 | Morisugi et al. | | 30/34.1 |

| | | | | | |
|-----------------|---|---------|-----------------|-------|----------|
| 2004/0231160 A1 | * | 11/2004 | Shiba et al. | | 30/43.92 |
| 2005/0016002 A1 | * | 1/2005 | Fukutani et al. | | 30/527 |

FOREIGN PATENT DOCUMENTS

| | | |
|----|------------|--------|
| JP | 1190080 | 9/2003 |
| KR | 30-0300464 | 6/2002 |

* cited by examiner

Primary Examiner—Jennifer Rivard
(74) *Attorney, Agent, or Firm*—J.C. Patents

(57) **CLAIM**

The ornamental design for an electric shaver, as shown and described.

DESCRIPTION

FIG. 1 is a front view of an electric shaver showing the new design.

FIG. 2 is a rear view thereof.

FIG. 3 is a right side view thereof, the left side view being a mirror image of the right side view.

FIG. 4 is an enlarged top plan view thereof.

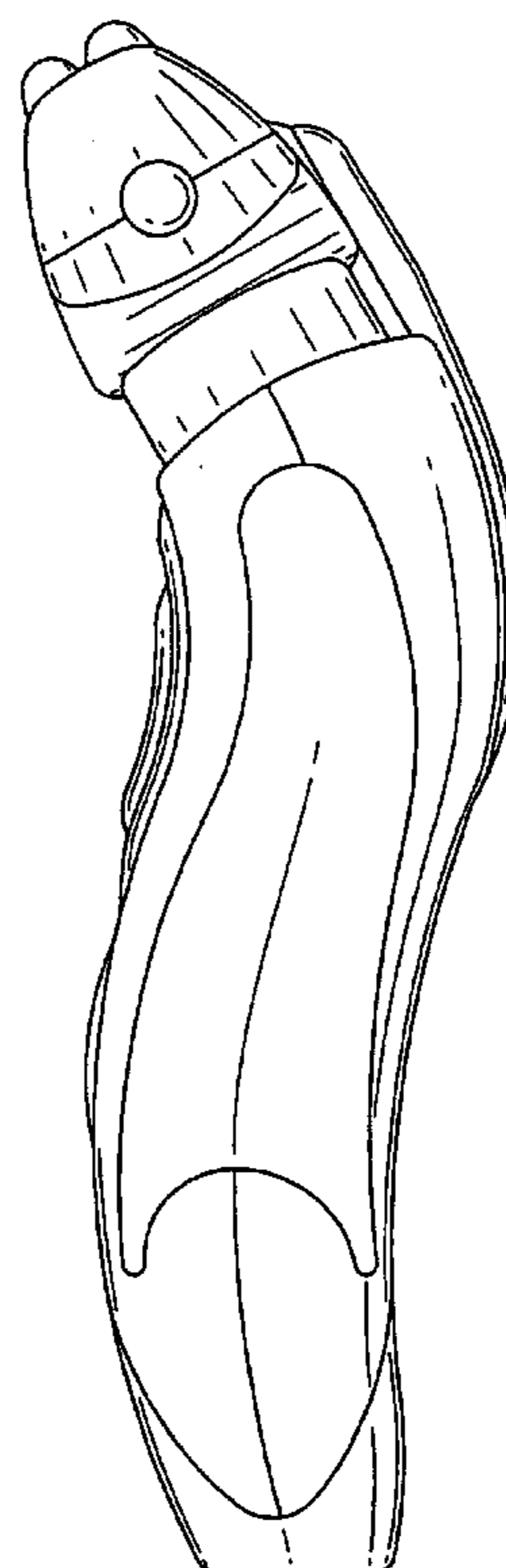
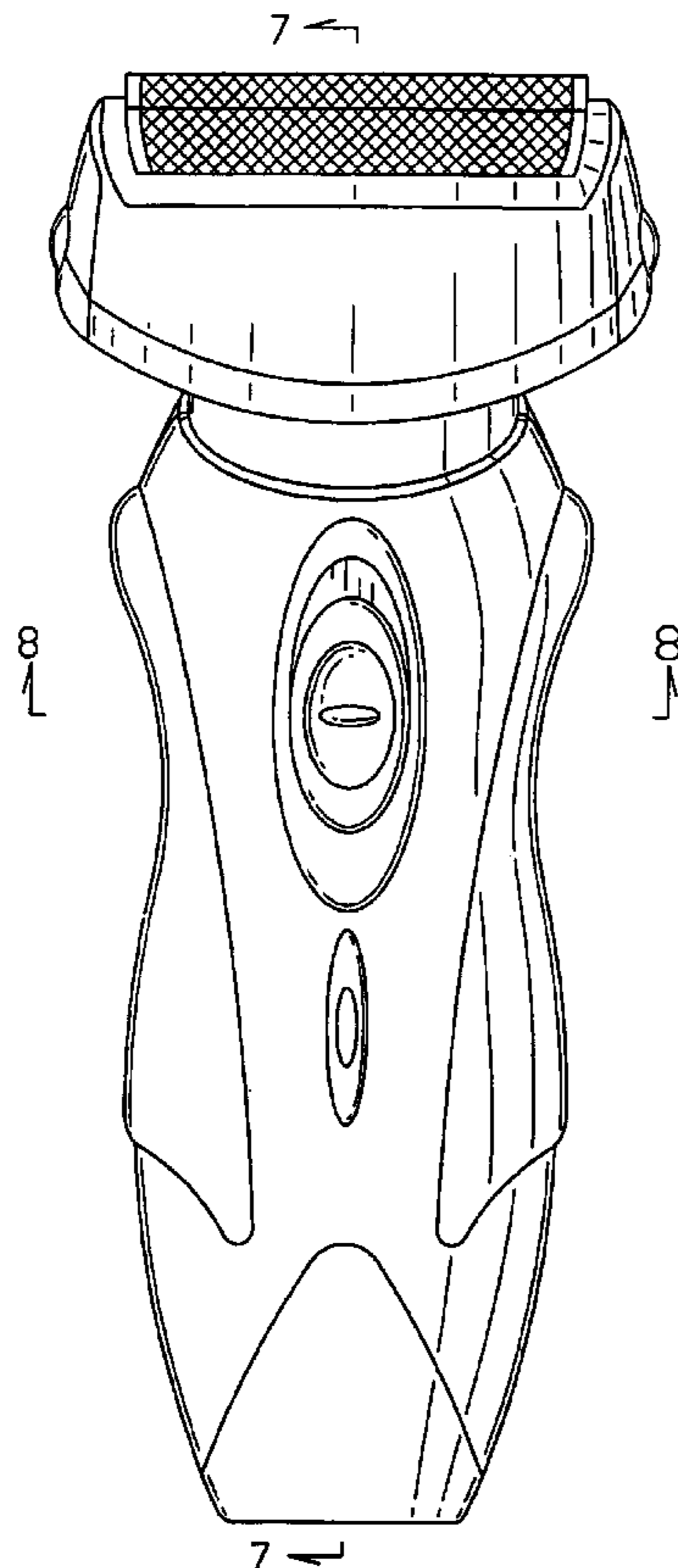
FIG. 5 is an enlarged bottom plan view thereof.

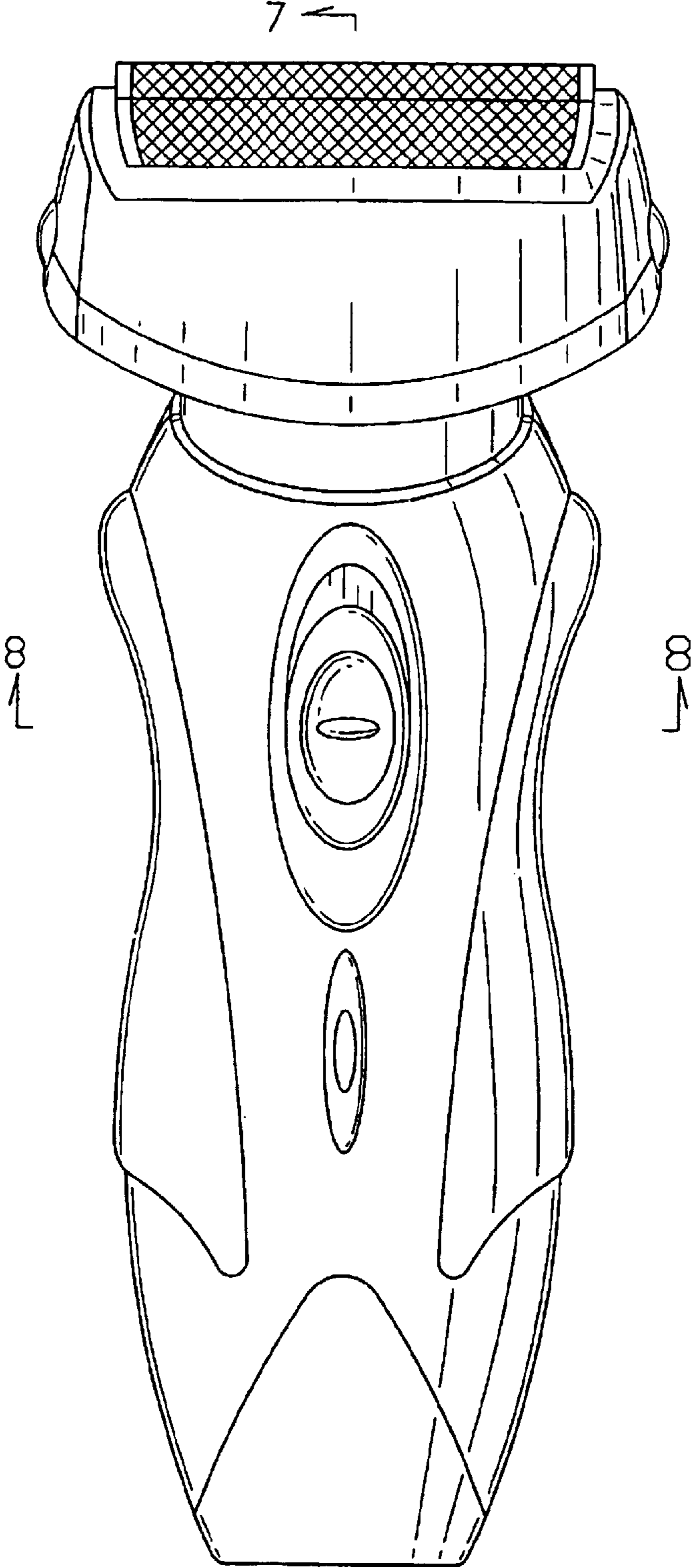
FIG. 6 is a perspective view thereof.

FIG. 7 is a cross-sectional view taken along line 7—7 in FIG. 1 with the internal parts omitted; and,

FIG. 8 is an enlarged end elevational view taken along line 8—8 in FIG. 1 with the internal parts omitted.

1 Claim, 7 Drawing Sheets





7
FIG. 1

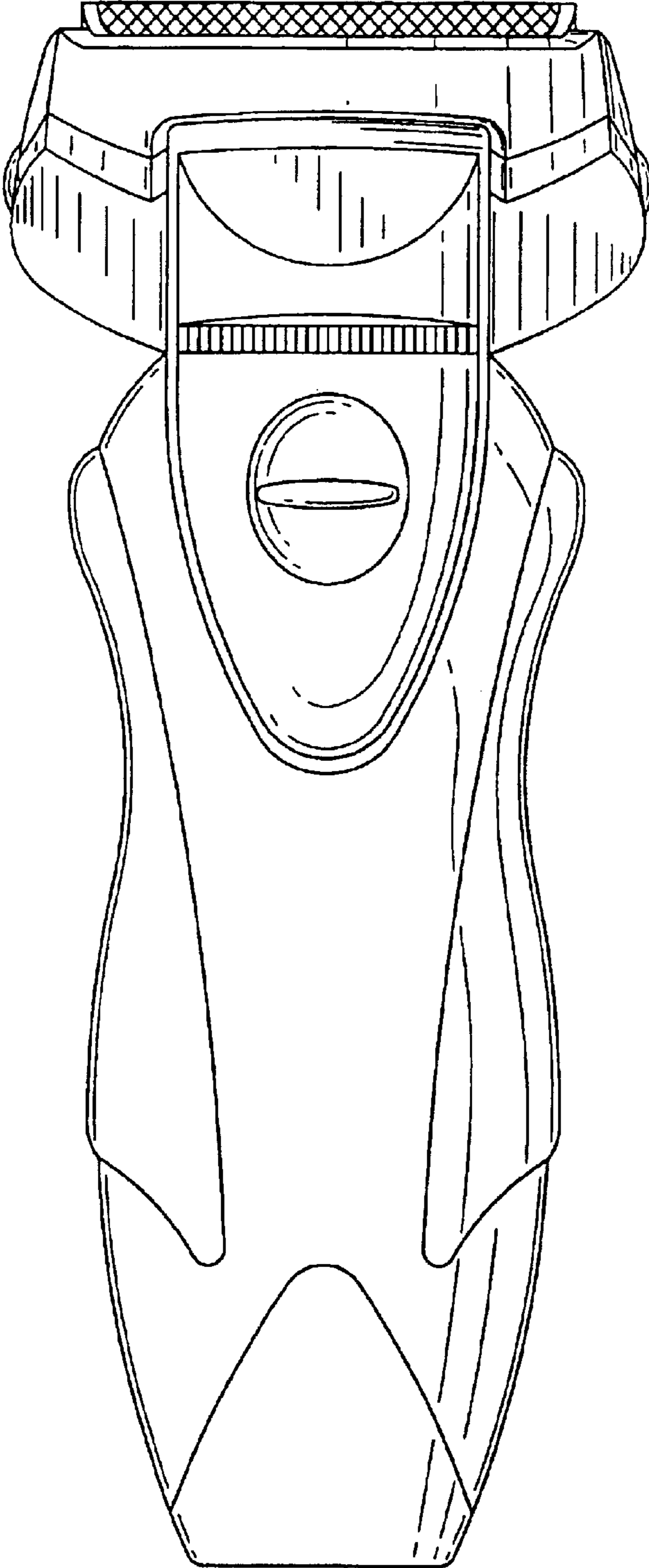


FIG. 2

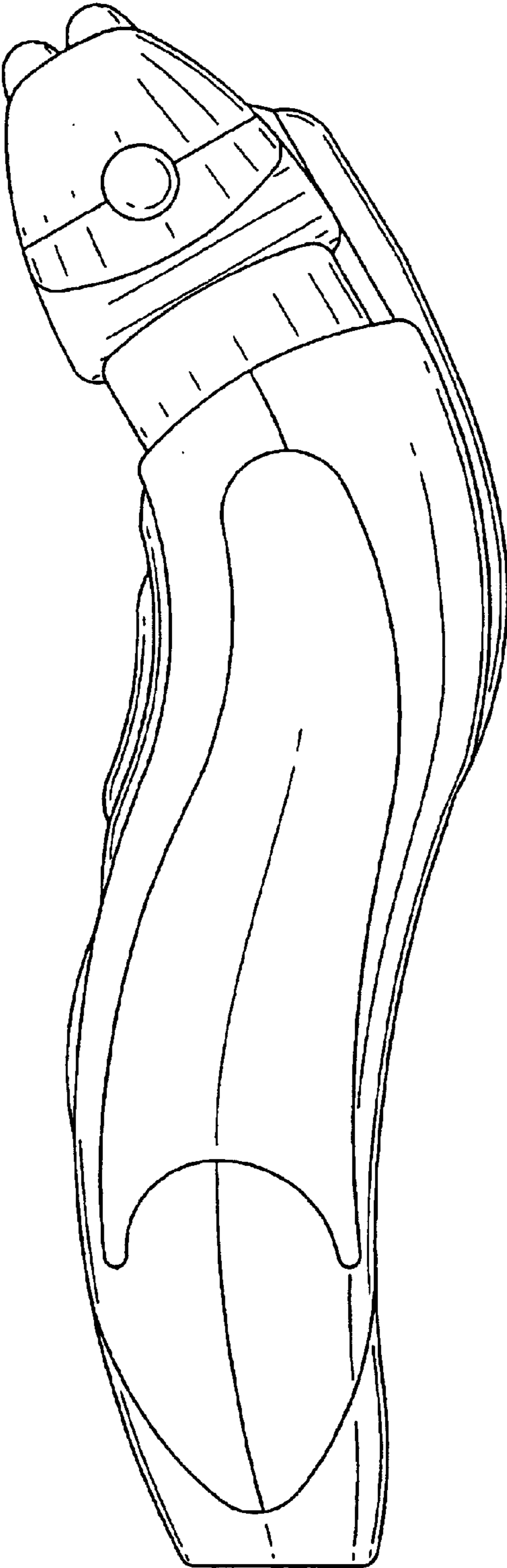


FIG. 3

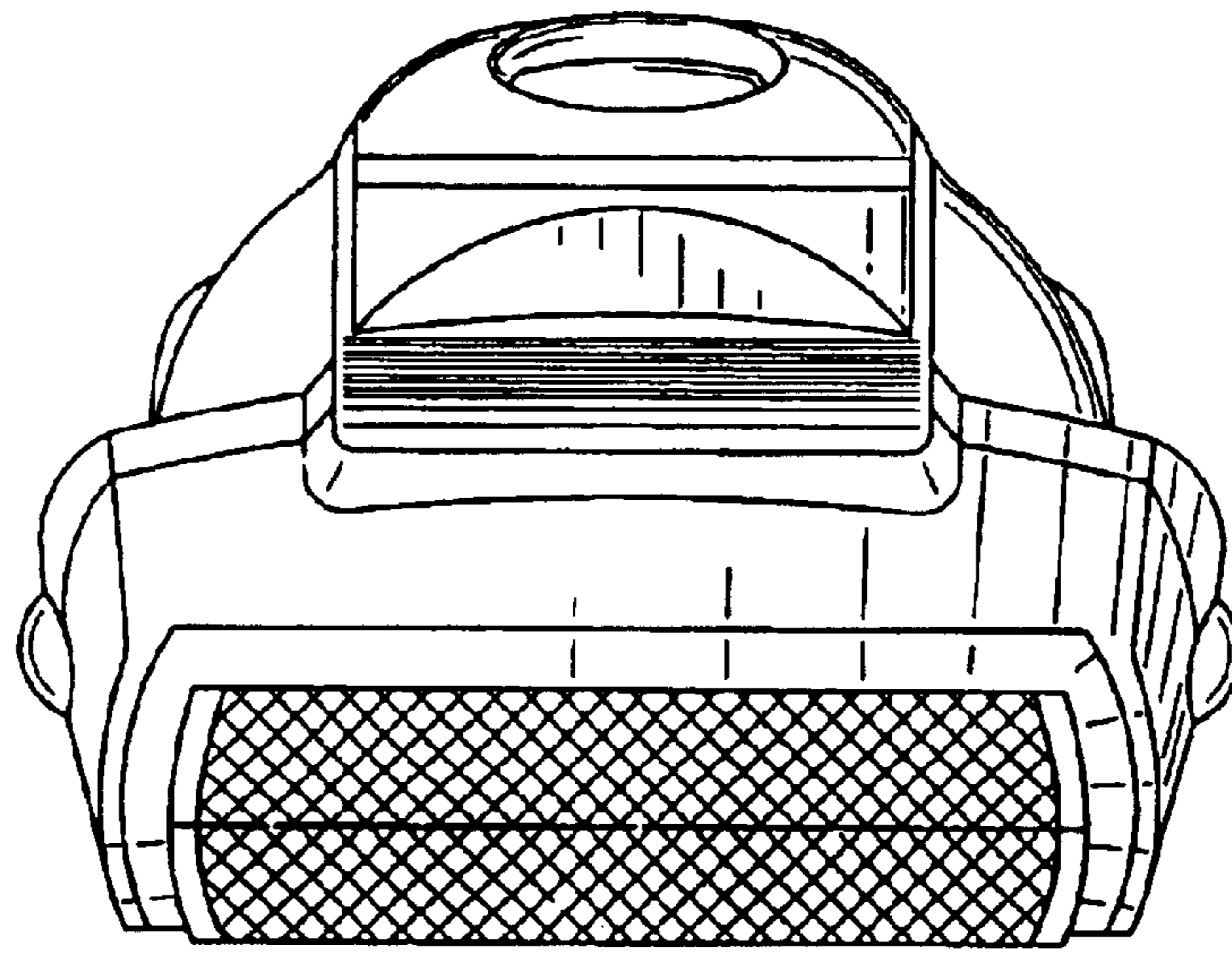


FIG. 4

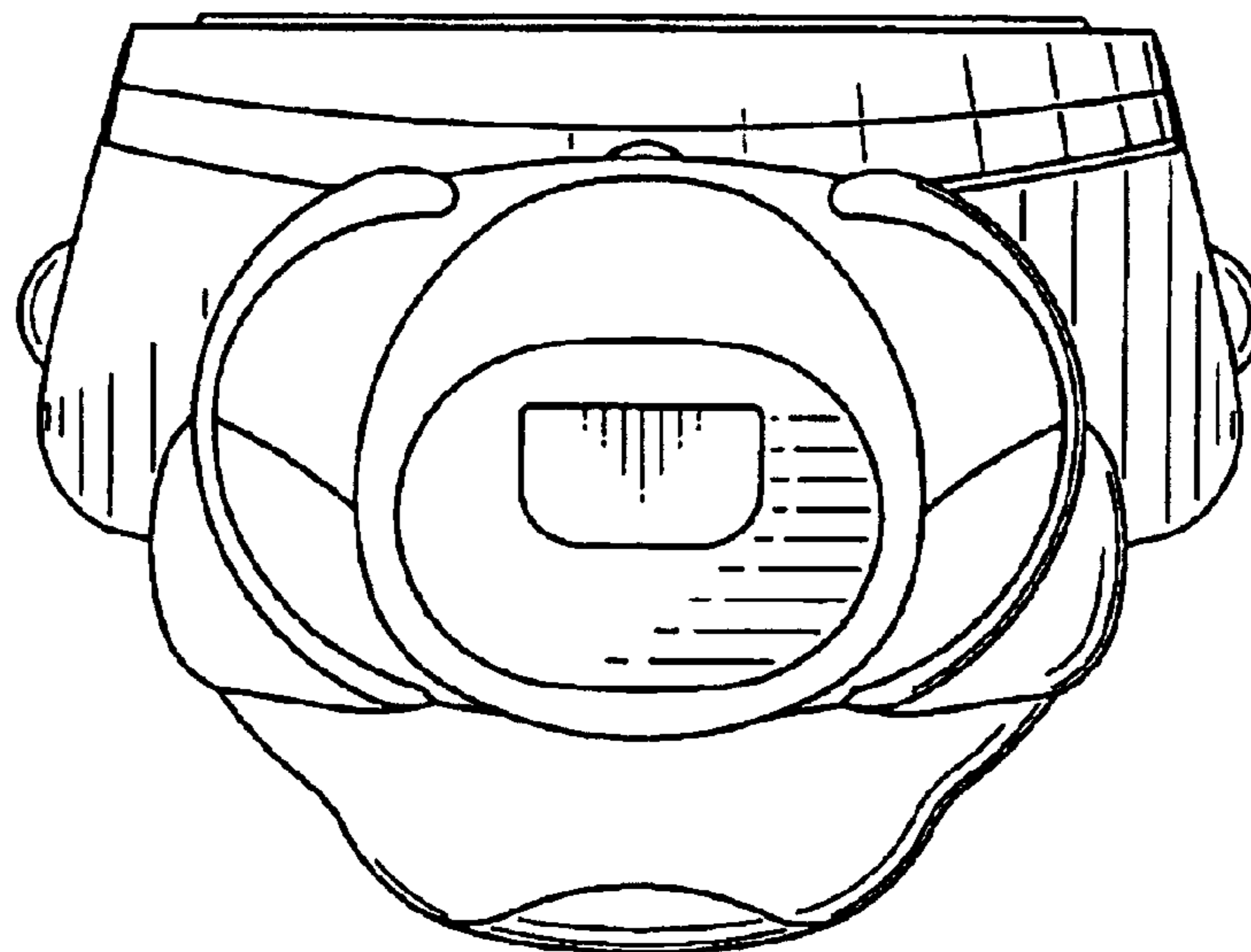


FIG. 5

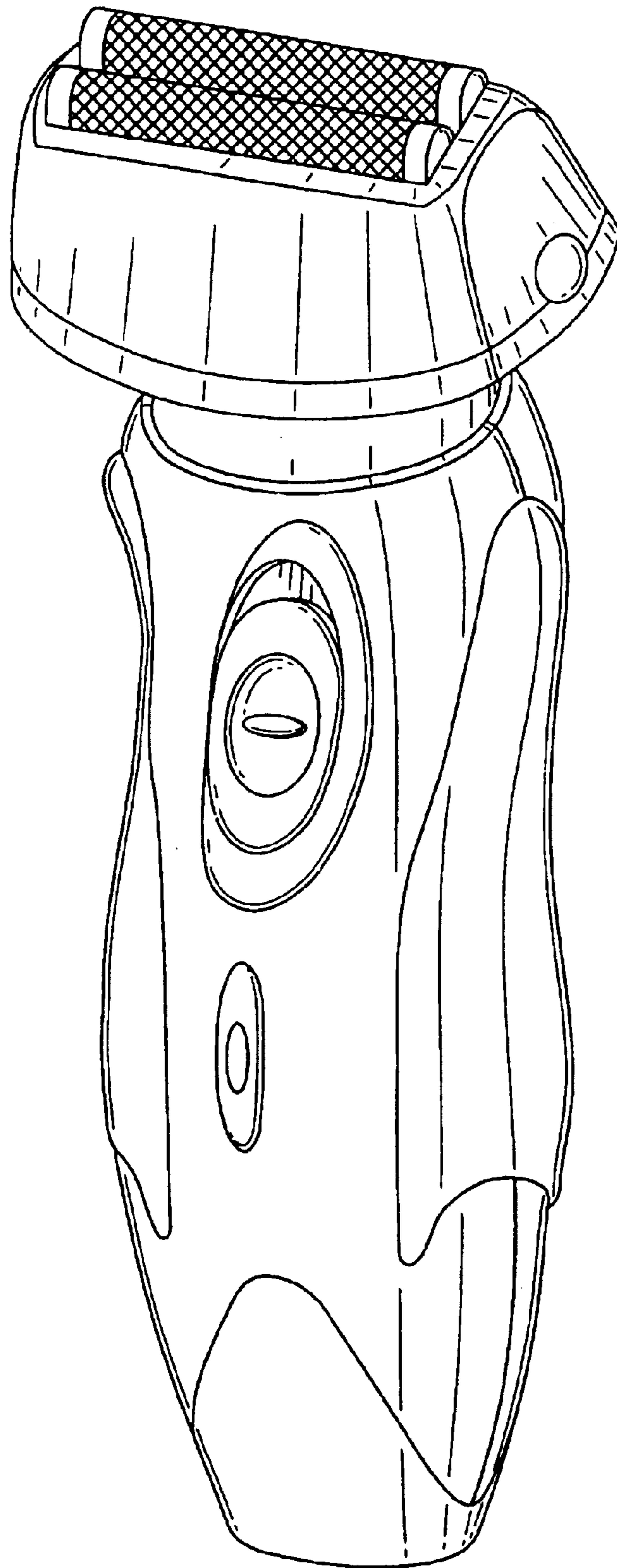


FIG. 6

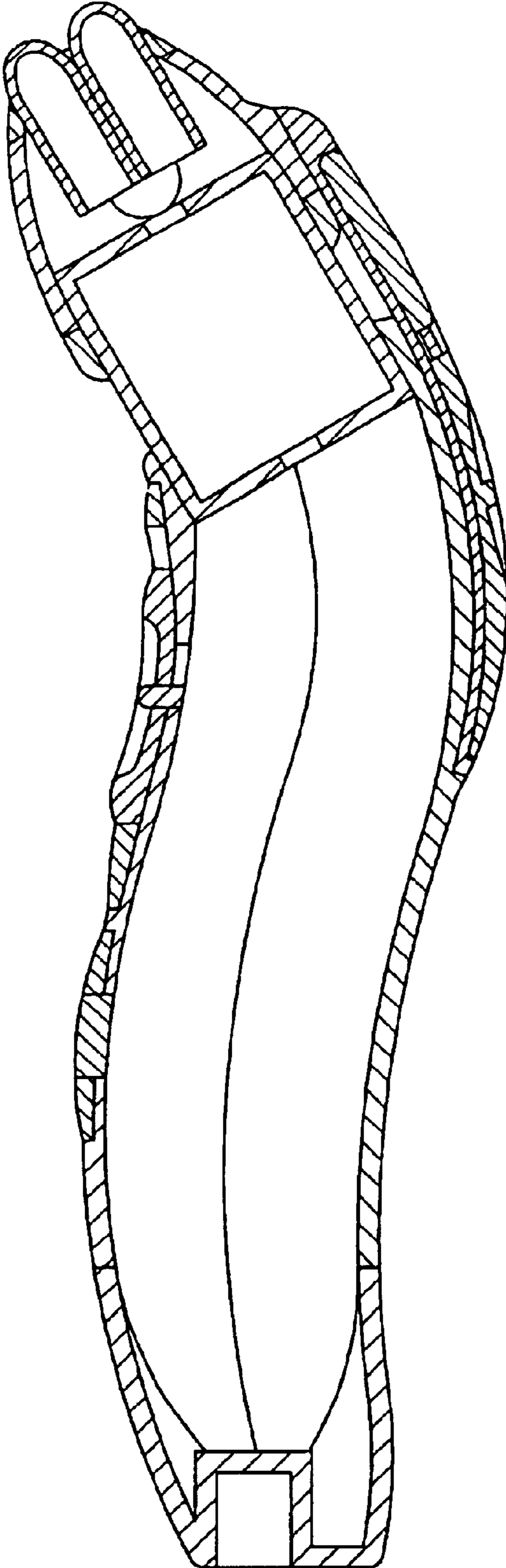


FIG. 7

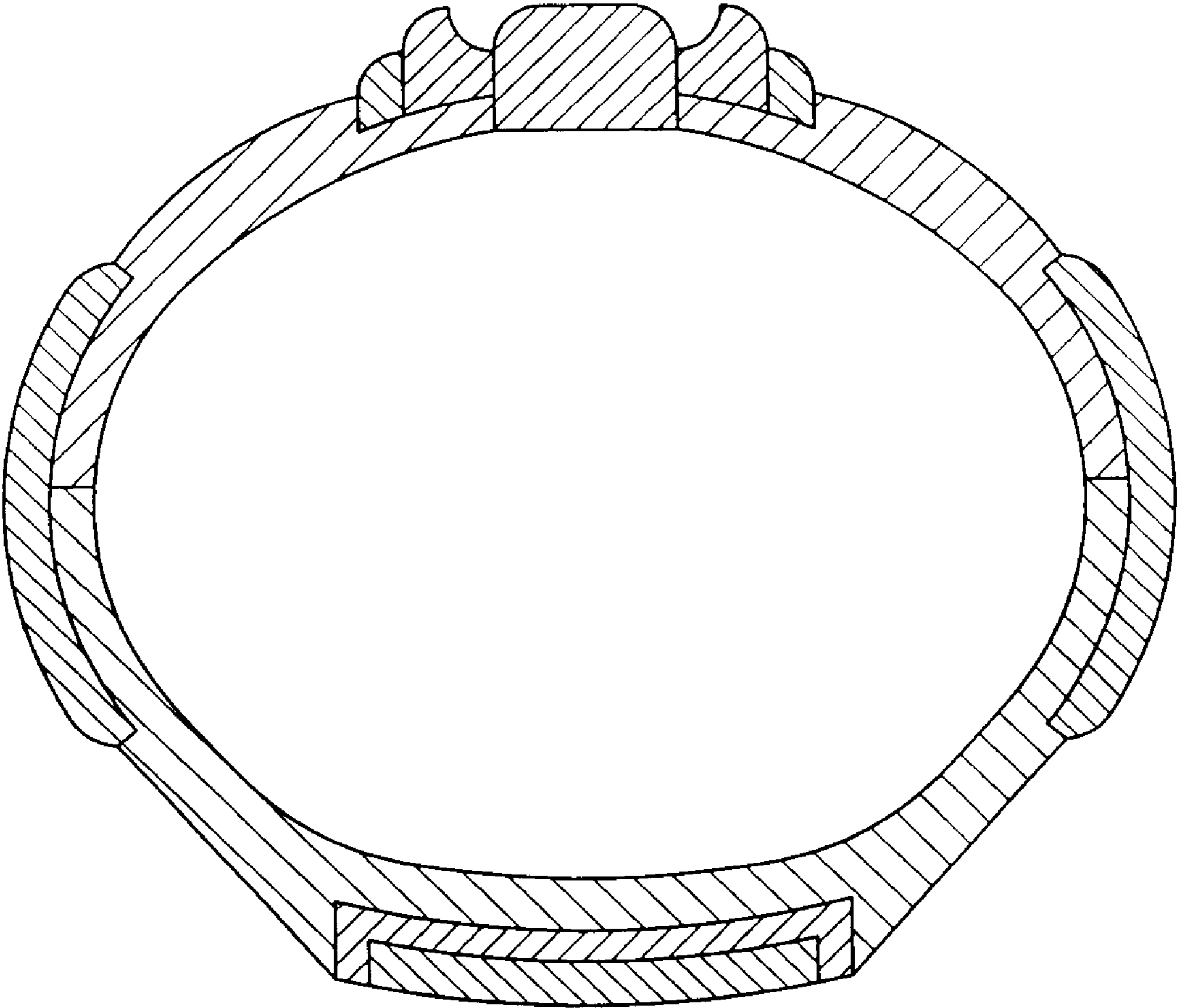


FIG. 8