



US00D514253S

(12) **United States Design Patent**
Gray

(10) **Patent No.:** **US D514,253 S**
(45) **Date of Patent:** **** Jan. 31, 2006**

- (54) **RAZOR CARTRIDGE**
- (75) Inventor: **Michael J. Gray**, Duxbury, MA (US)
- (73) Assignee: **The Gillette Company**, Boston, MA (US)
- (**) Term: **14 Years**
- (21) Appl. No.: **29/215,244**
- (22) Filed: **Oct. 15, 2004**

Related U.S. Application Data

- (62) Division of application No. 29/175,185, filed on Jan. 31, 2003, now Pat. No. Des. 500,888.
- (51) **LOC (8) Cl.** **28-03**
- (52) **U.S. Cl.** **D28/47**
- (58) **Field of Classification Search** D28/44-48;
30/34.1, 34.2, 34.05, 32, 47, 48, 50, 57, 77,
30/81, 527, 528, 530, 532-534, 538, 546.57
See application file for complete search history.

(56) **References Cited**

U.S. PATENT DOCUMENTS

4,498,235 A	*	2/1985	Jacobson	30/47
D290,050 S		5/1987	Jacobson		
D298,068 S		10/1988	Gilder		
D322,689 S		12/1991	Jacobson et al.		
D322,690 S		12/1991	Jacobson et al.		
D325,689 S		4/1992	Gray		
D335,722 S		5/1993	Gray		
D377,237 S		1/1997	Brown et al.		
5,661,907 A		9/1997	Apprille		

D393,929 S	4/1998	Prochaska
D397,830 S	9/1998	Gray
D401,014 S	11/1998	Tseng et al.
D407,530 S	3/1999	Lee
D419,265 S	1/2000	Gray
D422,380 S	4/2000	Tseng et al.
D422,751 S	4/2000	Gray
6,044,542 A	4/2000	Apprille et al.
D428,532 S	7/2000	Prochaska
D436,691 S	1/2001	Kwiecien et al.
6,301,785 B1	10/2001	Kwiecien et al.
D456,563 S	4/2002	Kwiecien et al.
D467,388 S	12/2002	Prochaska et al.
D478,687 S	8/2003	Provost
2001/0023539 A1	9/2001	Kwiecien et al.
2003/0154603 A1	8/2003	Guimont et al.

* cited by examiner

Primary Examiner—Jennifer Rivard

(74) *Attorney, Agent, or Firm*—Donal B. Tobin

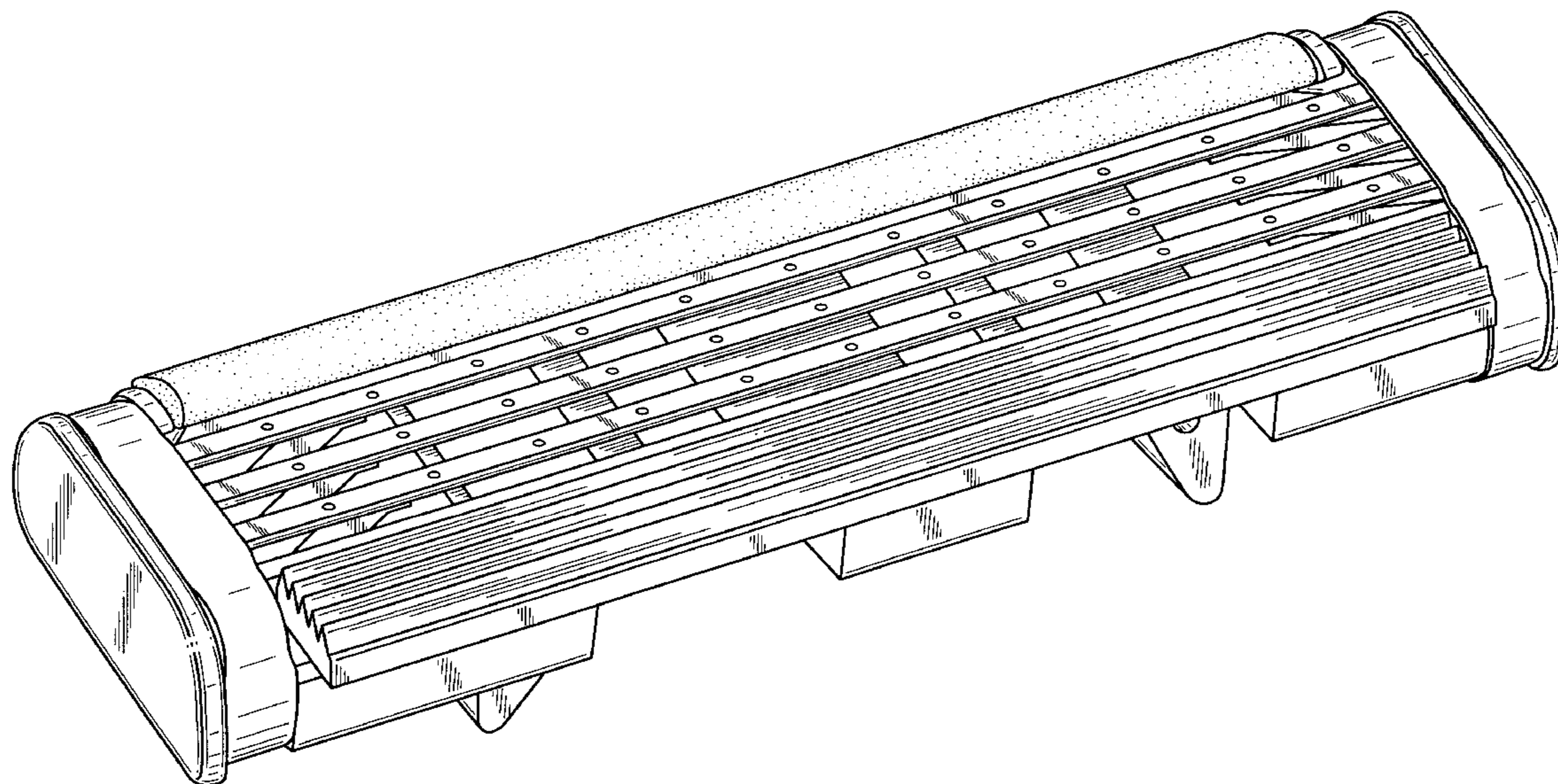
(57) **CLAIM**

The ornamental design for the razor cartridge, as shown and described.

DESCRIPTION

FIG. 1 is a top perspective of the razor cartridge of the present invention;
 FIG. 2 is a top plan view thereof;
 FIG. 3 is a left side view thereof, the right side view being a mirror image thereof;
 FIG. 4 is a bottom plan view thereof;
 FIG. 5 is a front elevational view thereof; and,
 FIG. 6 is a rear elevational view thereof.

1 Claim, 5 Drawing Sheets



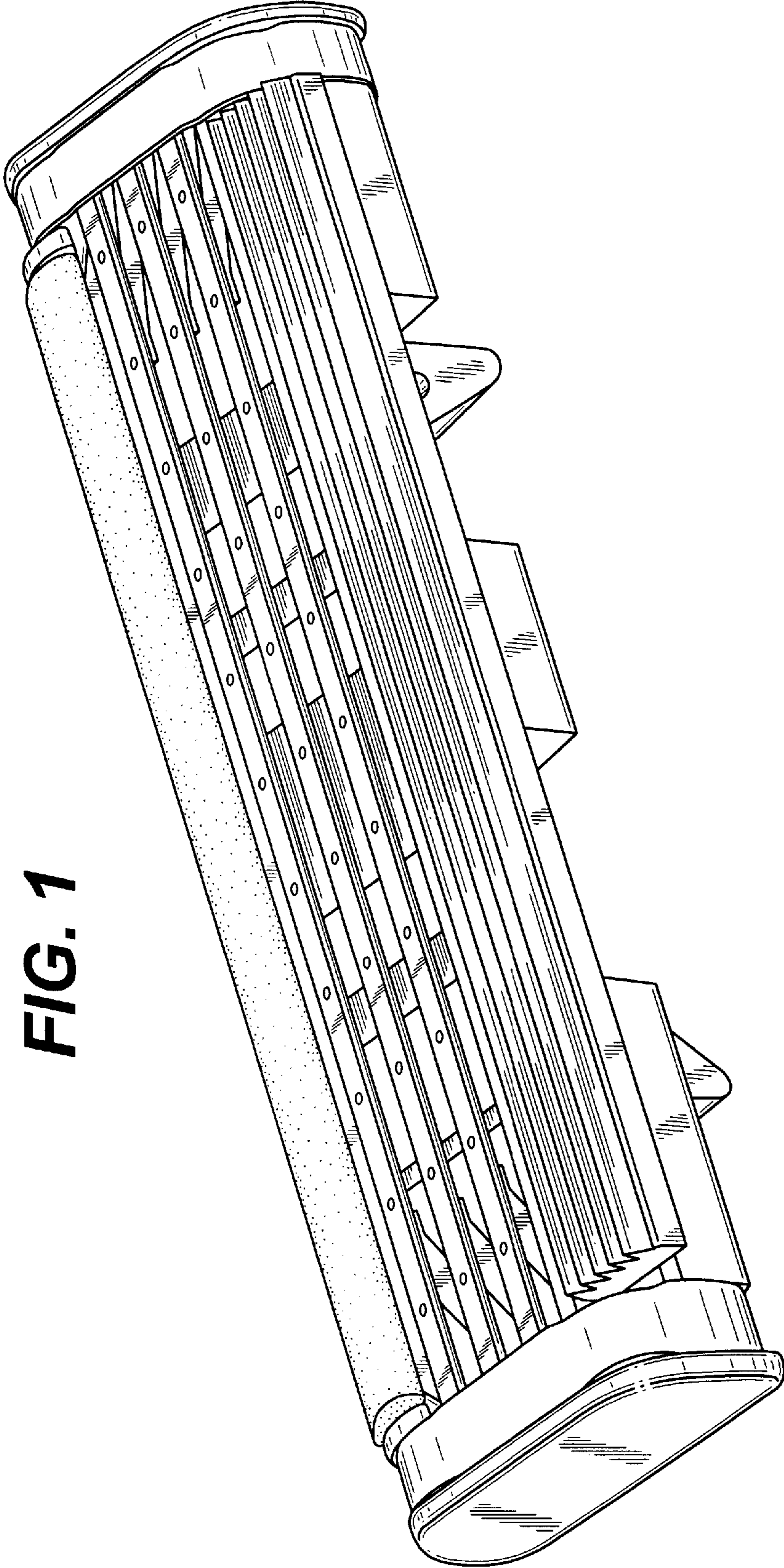


FIG. 1

FIG. 2

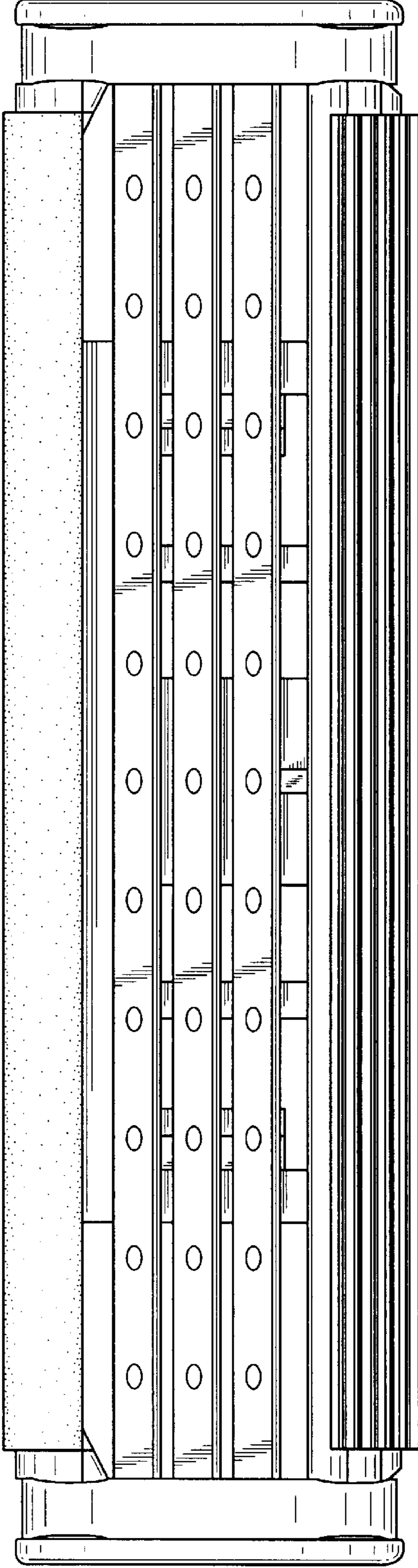


FIG. 3

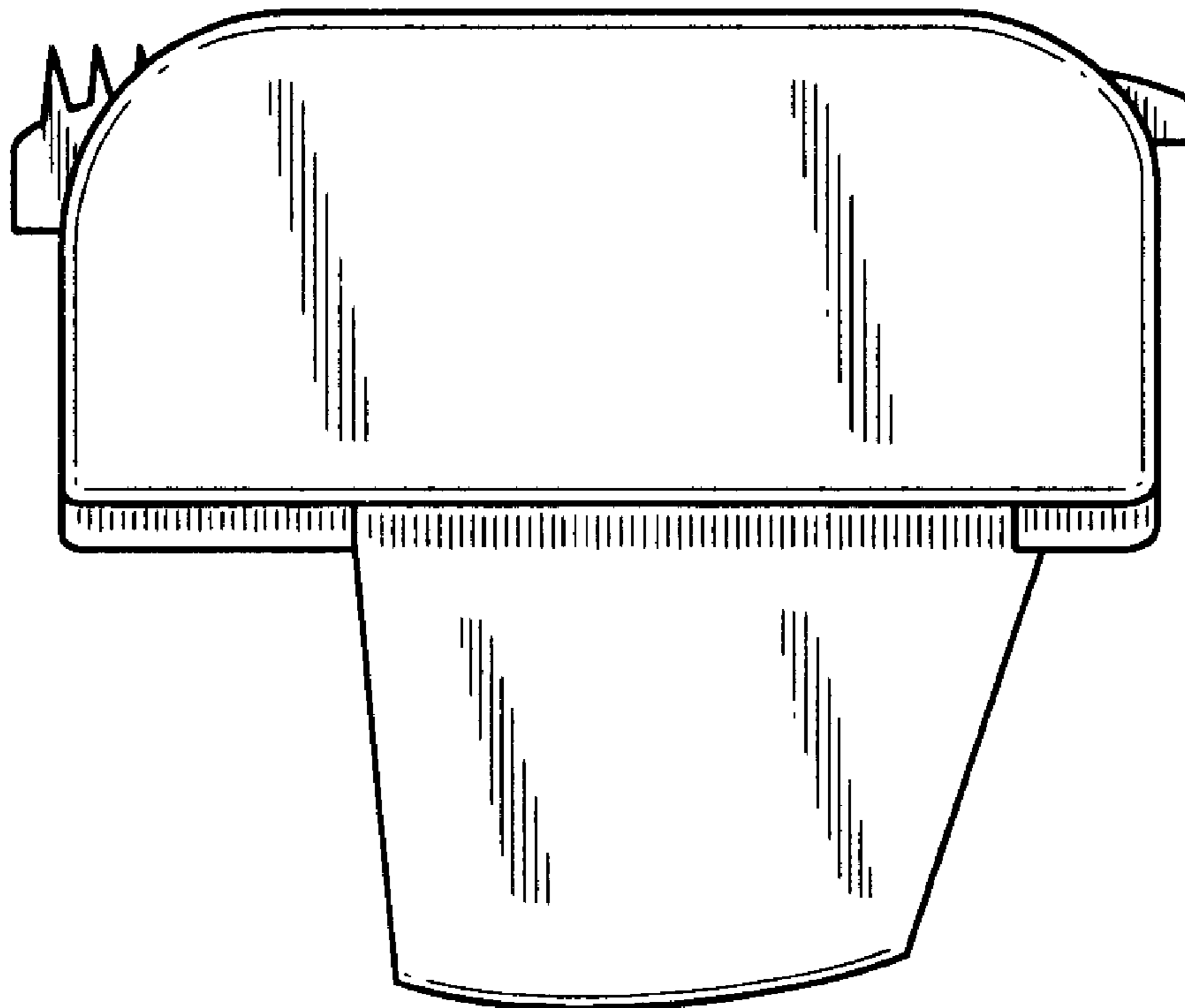


FIG. 4

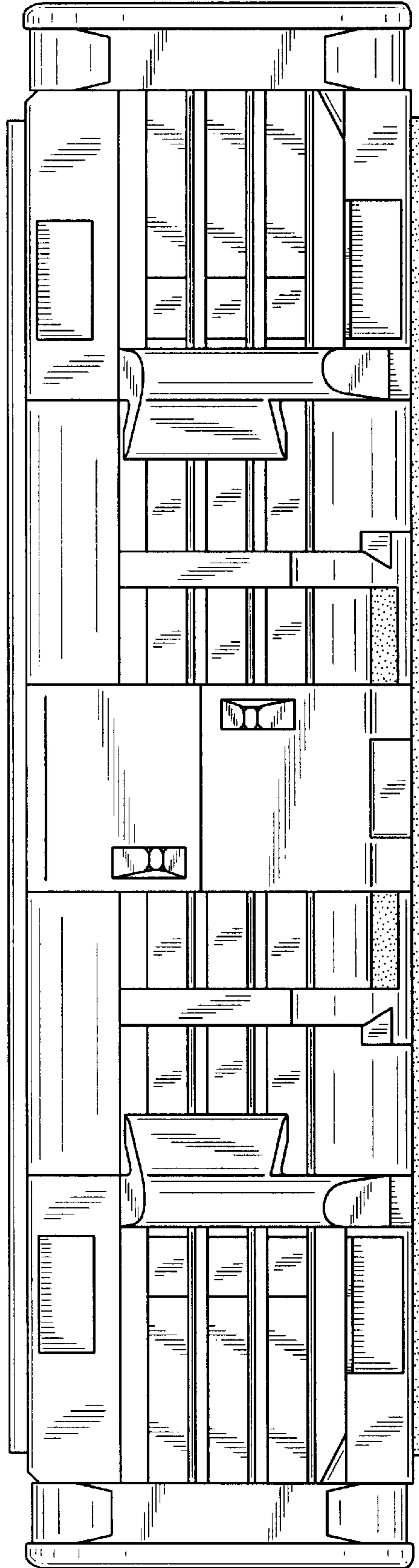


FIG. 5

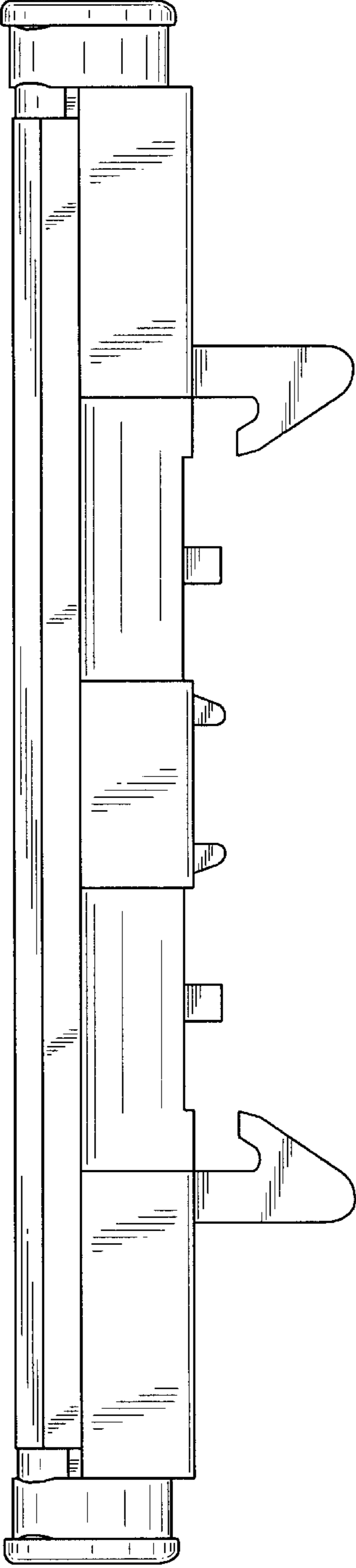


FIG. 6

