



US00D514250S

(12) **United States Design Patent**  
**Miranda**

(10) **Patent No.:** **US D514,250 S**  
(45) **Date of Patent:** **\*\* Jan. 31, 2006**

(54) **LIGHTING FIXTURE**

(76) **Inventor:** **Pasquale Miranda**, 63-2nd St., Garden City, NY (US) 11530

(\*\*) **Term:** **14 Years**

(21) **Appl. No.:** **29/211,517**

(22) **Filed:** **Aug. 17, 2004**

(51) **LOC (8) Cl.** ..... **26-99**

(52) **U.S. Cl.** ..... **D26/142**

(58) **Field of Classification Search** ..... D26/72,  
D26/80-92, 142-144, 152, 155; 362/147,  
362/432, 404-408

See application file for complete search history.

(56) **References Cited**

**U.S. PATENT DOCUMENTS**

D72,053 S	*	2/1927	Aglow	.....	D26/144
D72,452 S	*	4/1927	Seidell	.....	D26/81
D75,065 S	*	5/1928	Rosenblatt	.....	D26/144
D413,177 S	*	8/1999	Miranda	.....	D26/84
D432,256 S	*	10/2000	Dolan	.....	D26/84
D498,868 S	*	11/2004	Parres	.....	D26/81

**OTHER PUBLICATIONS**

Quoizel 2004 Catalog. Item CV 50051B on p. 23. (1 page).\*  
“The Big Book” by Murray Feiss—Edition 2004. (4 pages).  
Item F1839/5 CB on p. 5; Item F1680/6 FI on p. 94; Item  
F1682/3 F1 on p. 95; and Item F1838/4 CB on p. 135.\*

\* cited by examiner

*Primary Examiner*—Clare E Heflin

(57) **CLAIM**

The ornamental design of a lighting fixture, as shown and described.

**DESCRIPTION**

FIG. 1 is a perspective view of lighting fixture showing my new design;

FIG. 2 is a front elevational view thereof;

FIG. 3 is a side elevational view thereof; and,

FIG. 4 is a top plan view thereof.

The broken-line showing of environmental structures in FIG. 1-4 is for illustrative purposes only and forms no part of the claimed design.

**1 Claim, 3 Drawing Sheets**

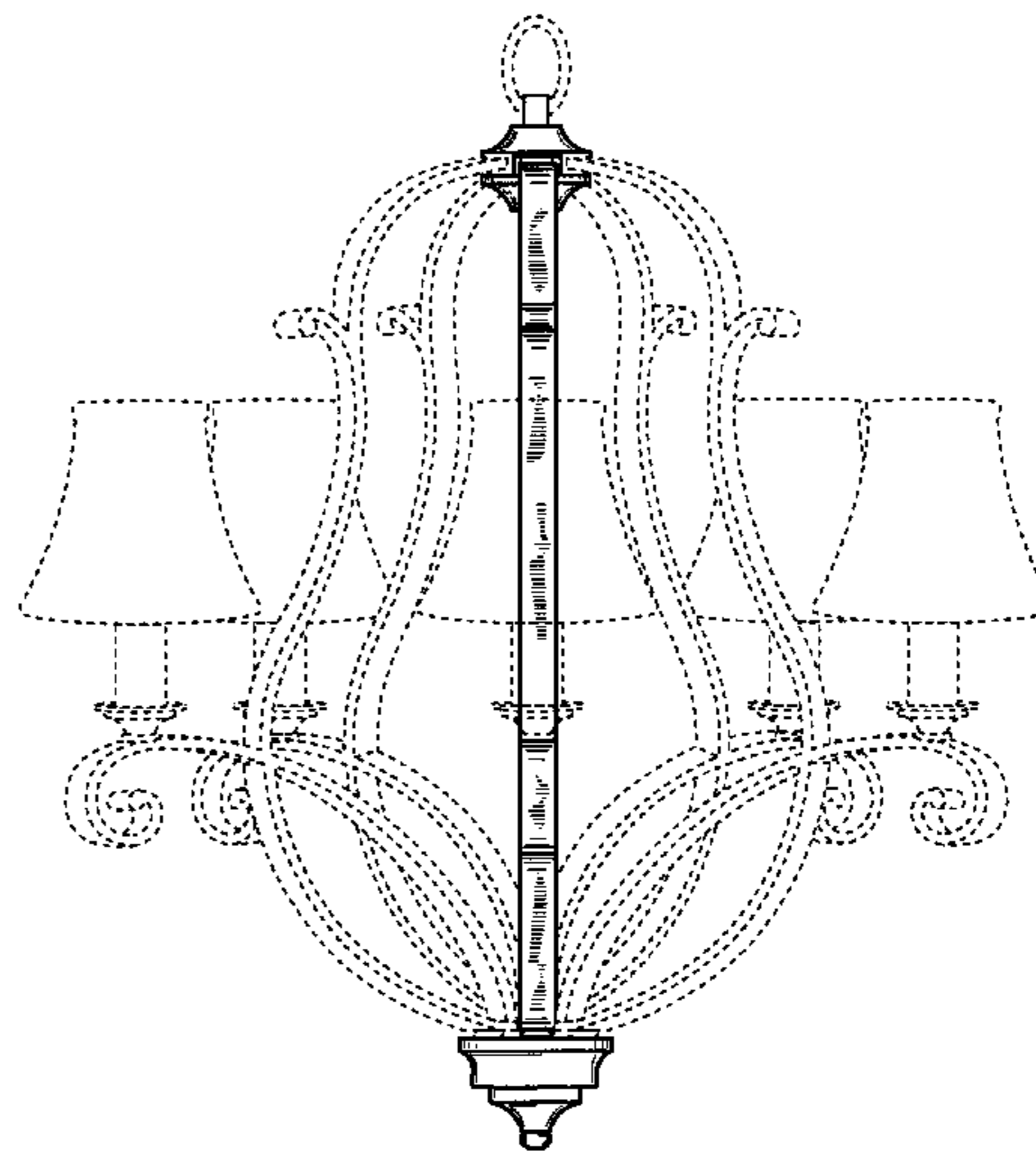
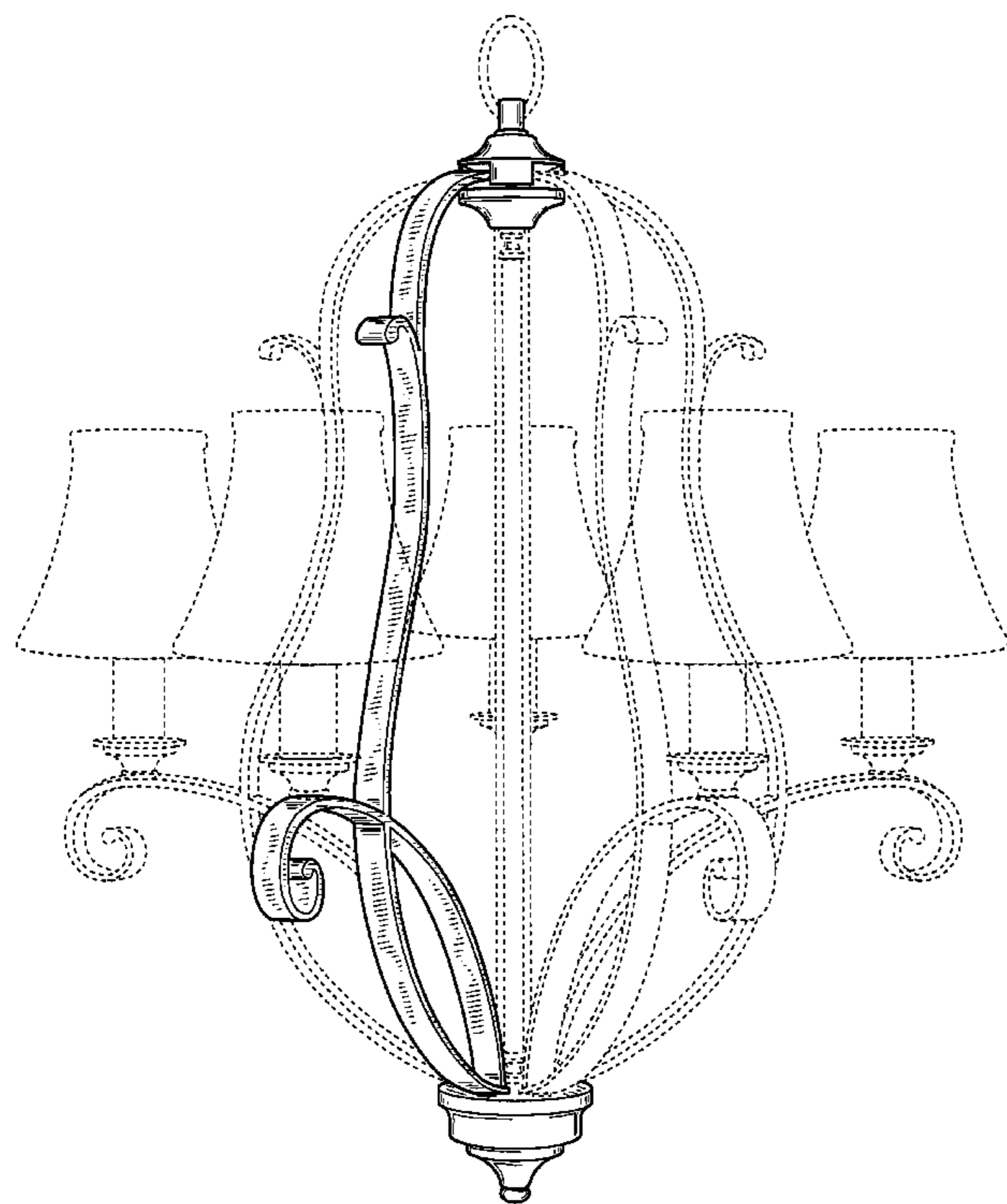


FIG. 1

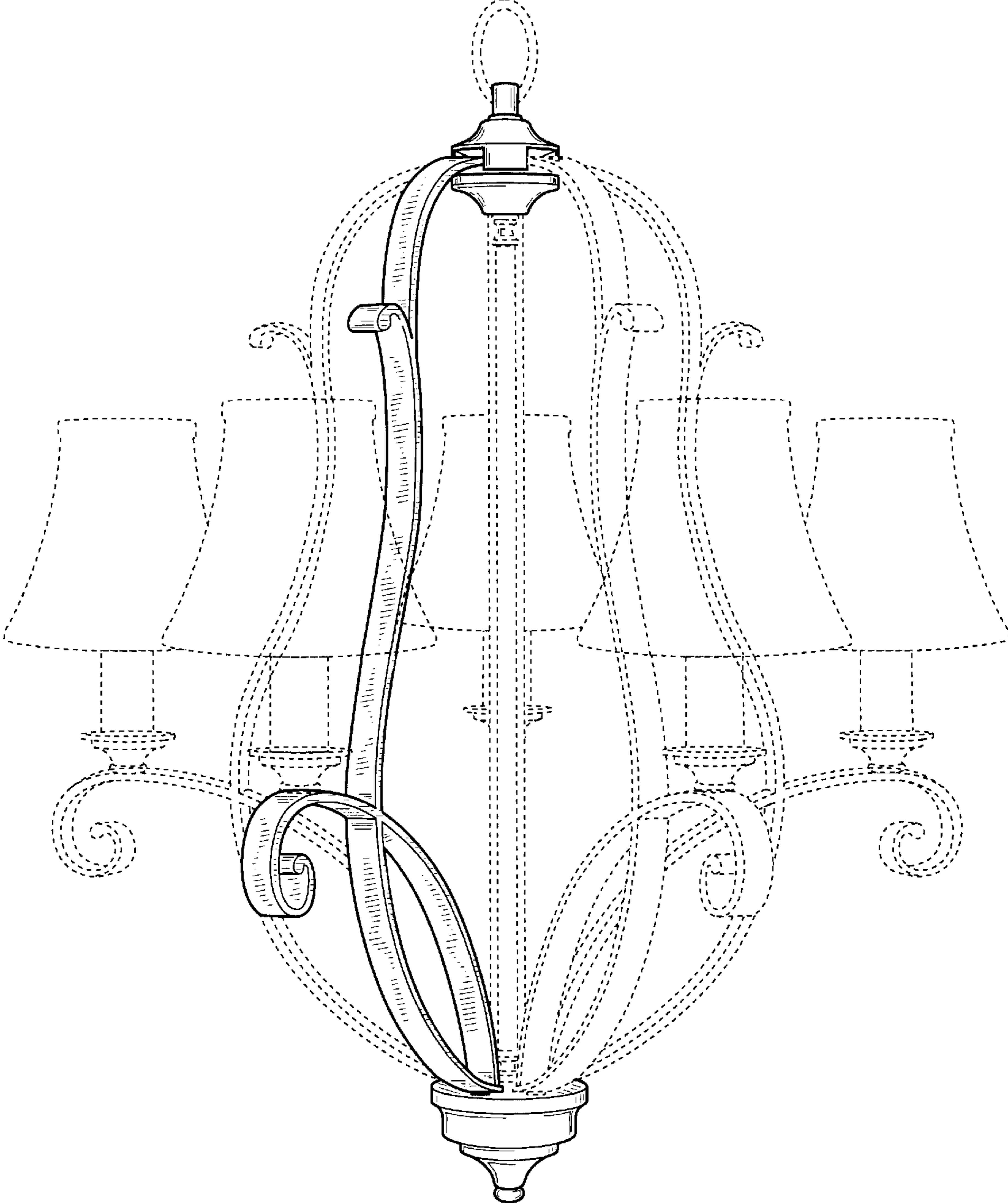


FIG. 3

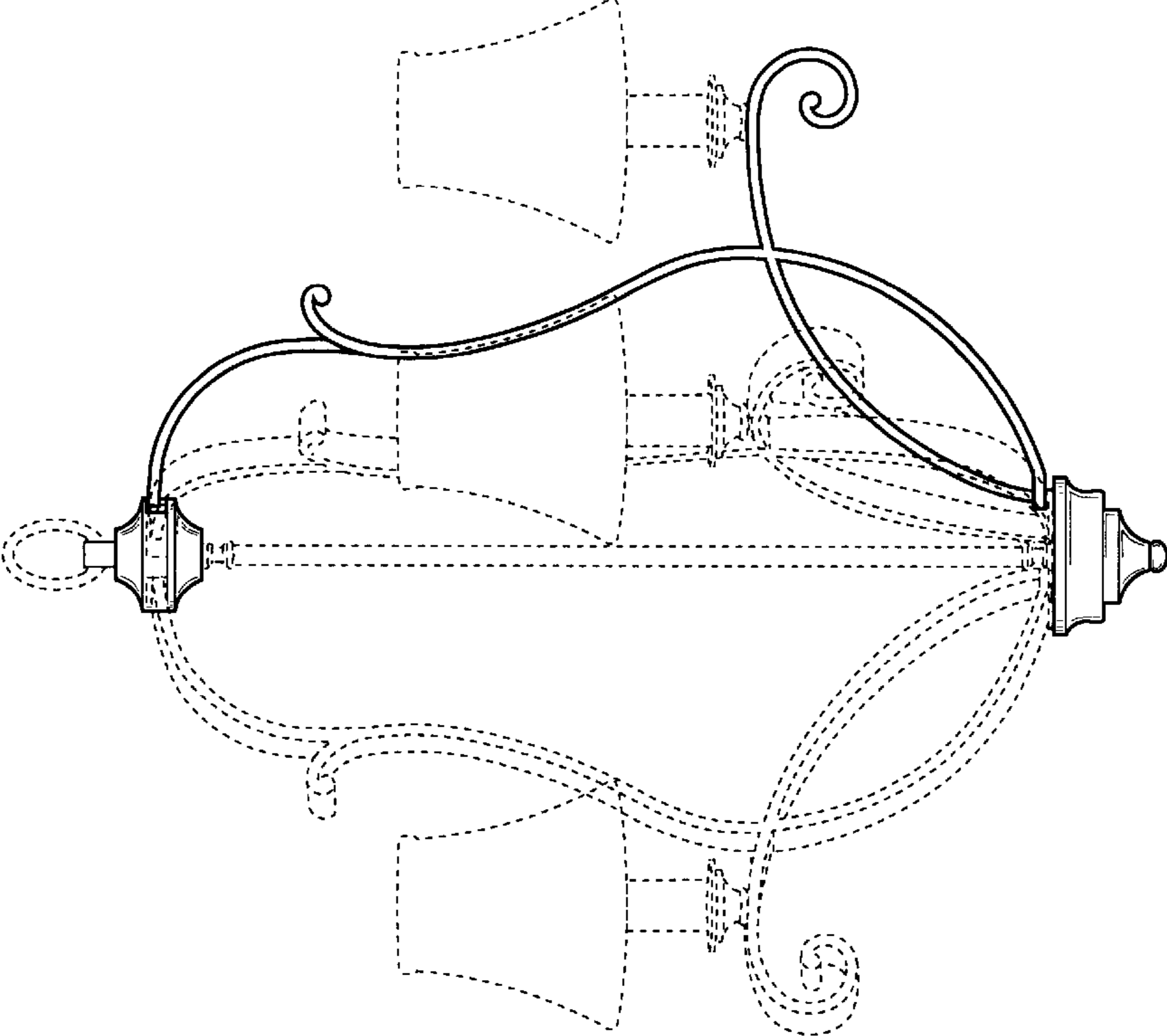
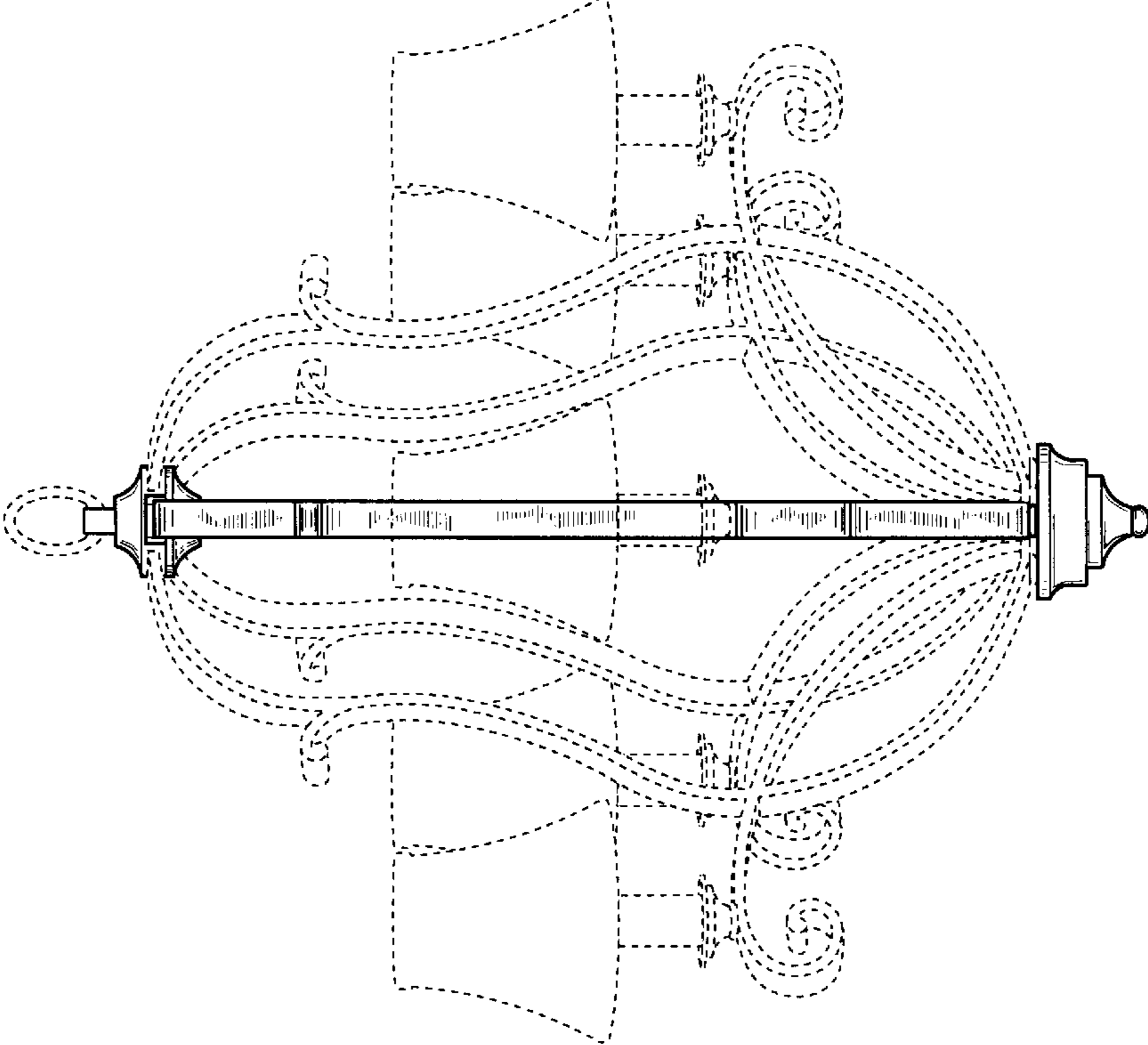


FIG. 2



**FIG. 4**

