



US00D514247S

(12) **United States Design Patent**
Suzuki et al.

(10) **Patent No.:** **US D514,247 S**
(45) **Date of Patent:** **** Jan. 31, 2006**

(54) **LIGHTING FIXTURE BASE**

(75) Inventors: **Masaru Suzuki**, Brooklyn, NY (US);
Jennifer Hutton, New York, NY (US)

(73) Assignee: **Donghia Furniture/Textiles Ltd.**, New York, NY (US)

(**) Term: **14 Years**

(21) Appl. No.: **29/217,414**

(22) Filed: **Nov. 17, 2004**

(51) **LOC (8) Cl.** **26-03**

(52) **U.S. Cl.** **D26/106**

(58) **Field of Classification Search** D26/93-112,
D26/142; 362/410-414, 806; D11/143-153
See application file for complete search history.

(56) **References Cited**

U.S. PATENT DOCUMENTS

D104,412 S	*	5/1937	Simpson	D26/107
D296,308 S	*	6/1988	Le	D11/143
D298,468 S	*	11/1988	Ramella	D26/104
D356,178 S	*	3/1995	Von Kluck	D26/106

OTHER PUBLICATIONS

Otium Catalog (2 pages), Luna Lamp (Item No. 10205) (no date).

* cited by examiner

Primary Examiner—Alan P. Douglas

Assistant Examiner—Linda Brooks

(74) *Attorney, Agent, or Firm*—Heslin Rothenberg Farley & Mesiti P.C.

(57) **CLAIM**

The ornamental design for the lighting fixture base, as shown and described.

DESCRIPTION

FIG. 1 is a perspective view of a lighting fixture base accordance with the new design having a translucent appearance of the surface;

FIG. 2 is a top view of said new design in FIG. 1;

FIG. 3 is a front elevational view of said new design in FIG. 1, a rear elevational view being a mirror image thereof;

FIG. 4 is a right side elevational view of said new design in FIG. 1, a left side elevational view being a mirror image thereof.

FIG. 5 is a bottom view of said new design in FIG. 1;

FIG. 6 is a perspective view of an alternate embodiment of said new design, having an opaque appearance of the surface, which is the sole difference between it and FIGS. 1-5;

FIG. 7 is a top view of said new design in FIG. 6;

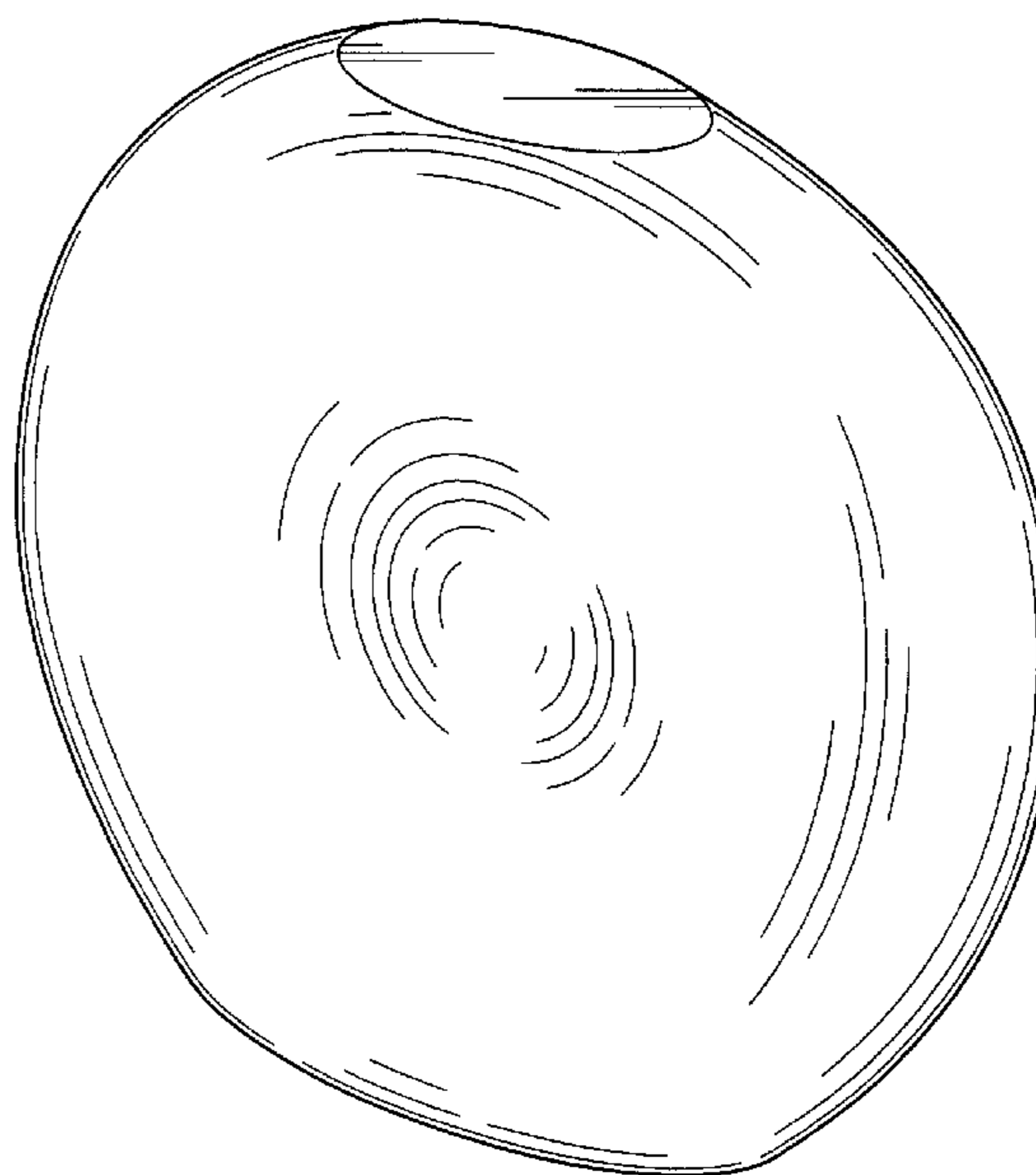
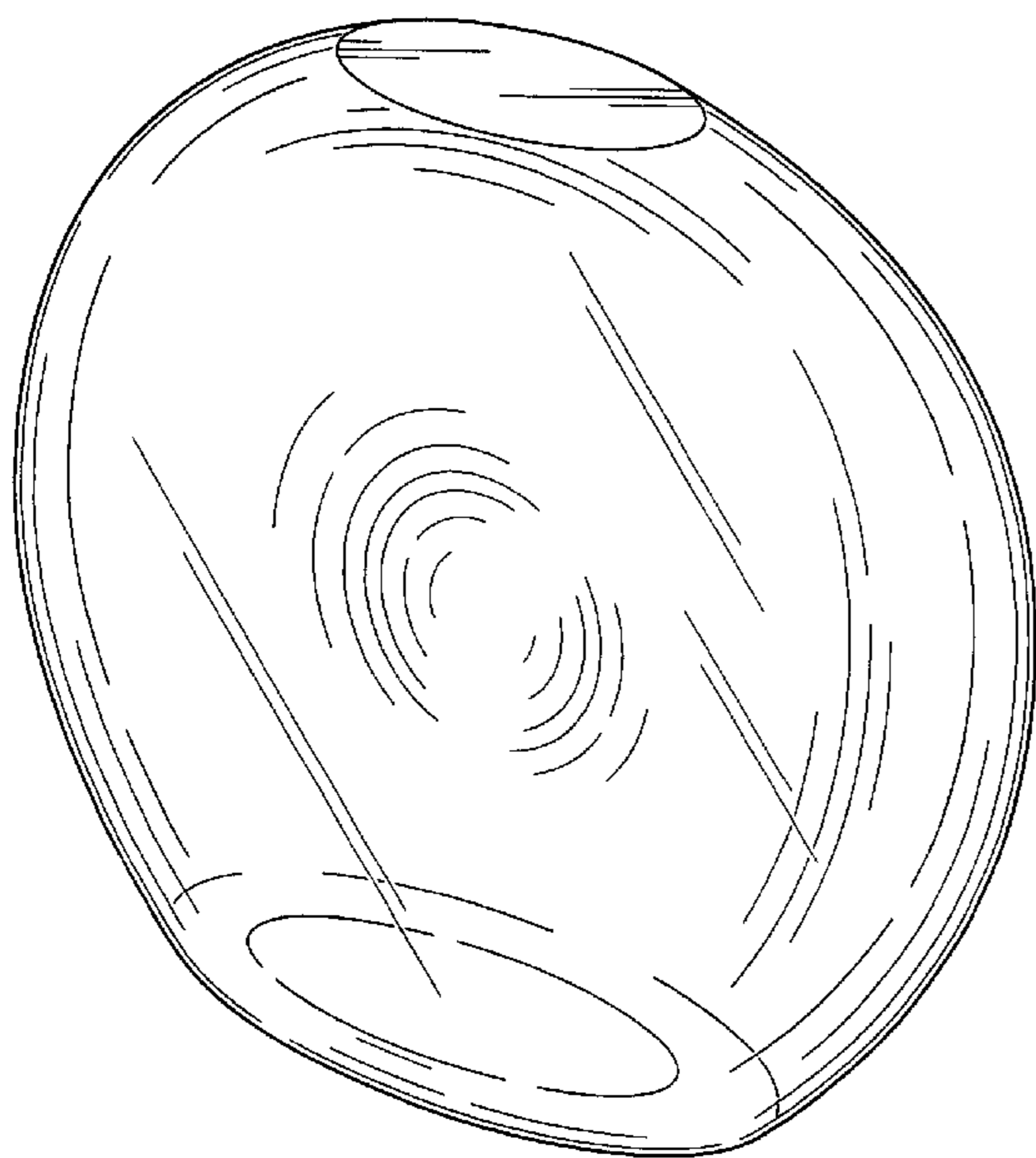
FIG. 8 is a front elevational view of said new design in FIG. 6, a rear elevational view being a mirror image thereof;

FIG. 9 is a right side elevational view of said new design in FIG. 6, a left side elevational view being a mirror image thereof; and,

FIG. 10 is a bottom view of said new design in FIG. 6.

The broken lines in the figures are for illustrative purposes only and form no part of the claimed invention.

1 Claim, 10 Drawing Sheets



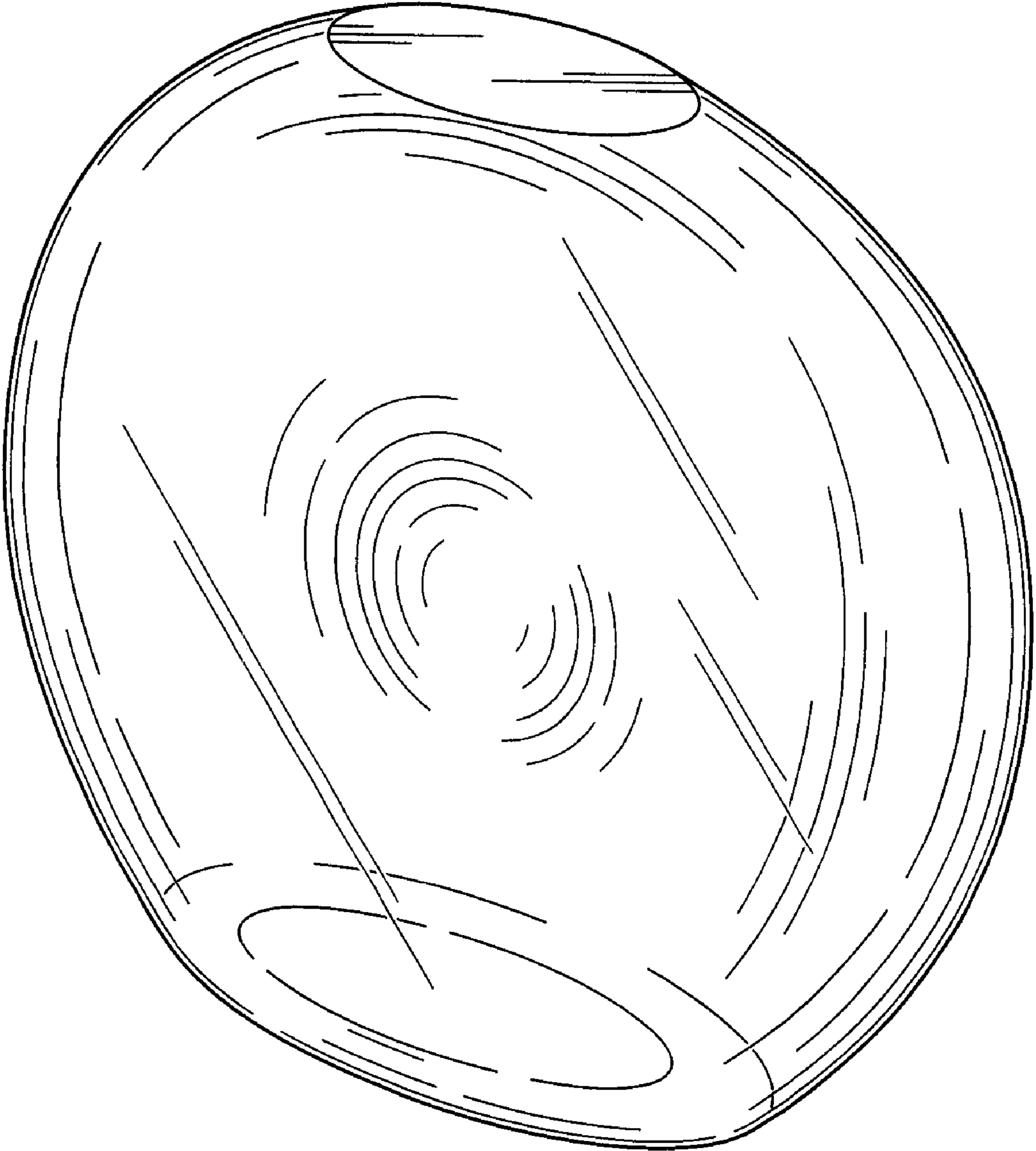


FIG. 1

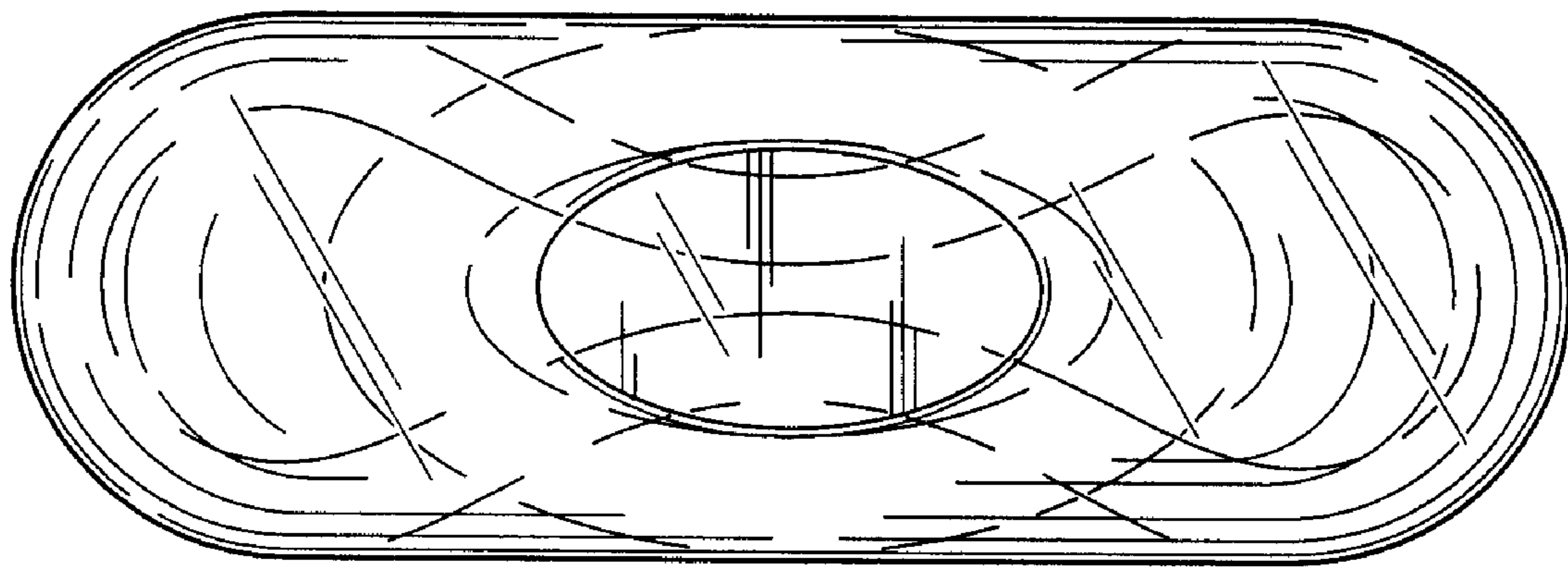


FIG. 2

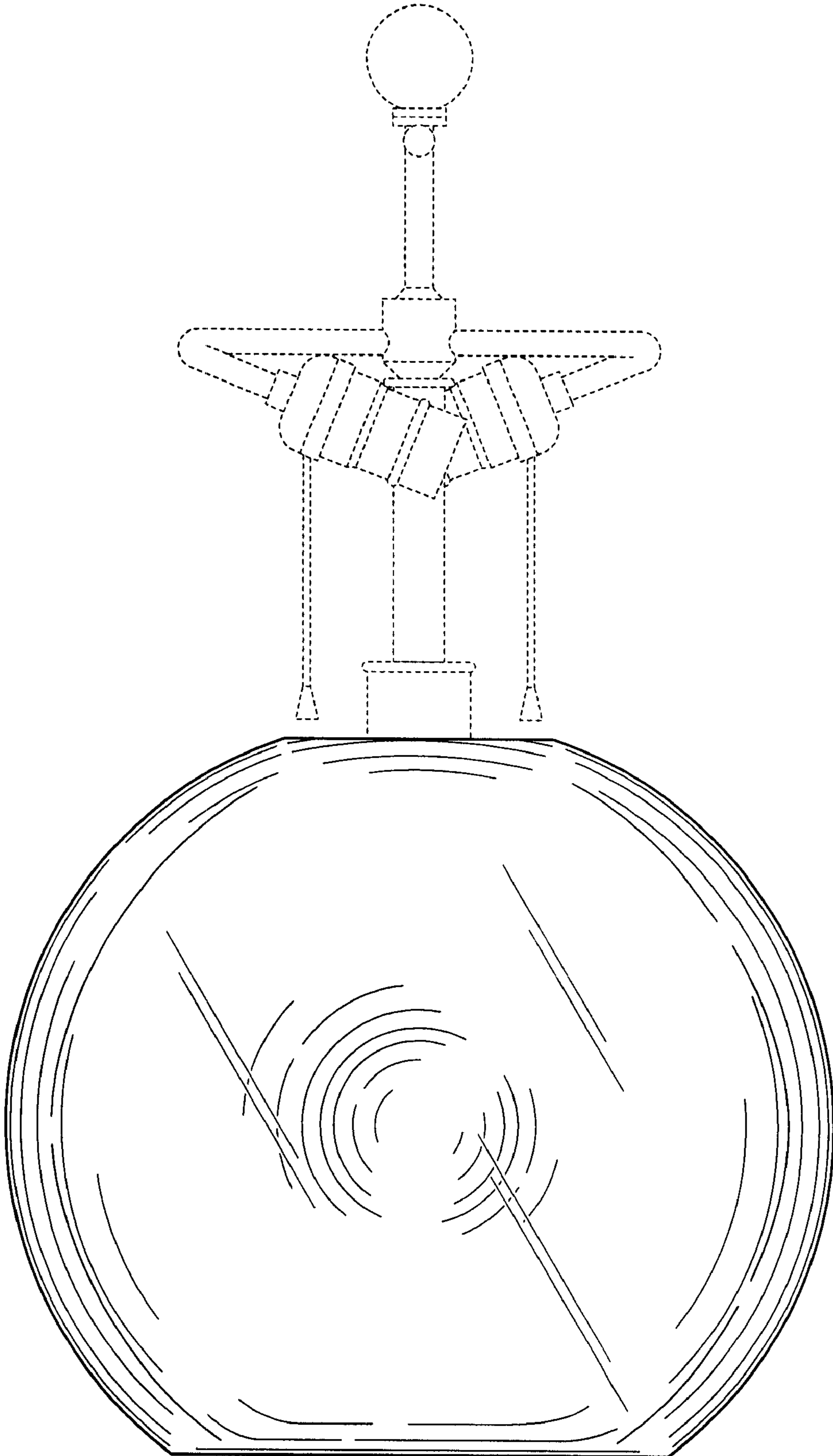


FIG. 3

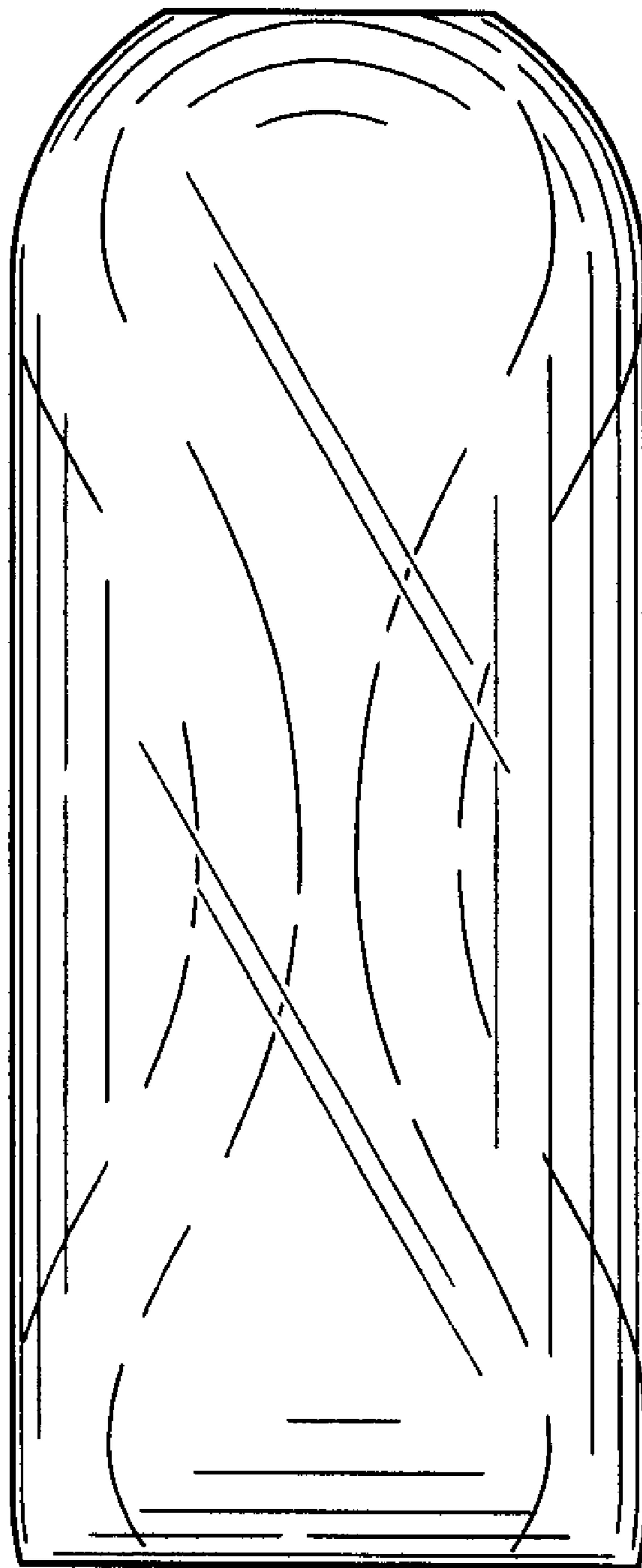


FIG. 4

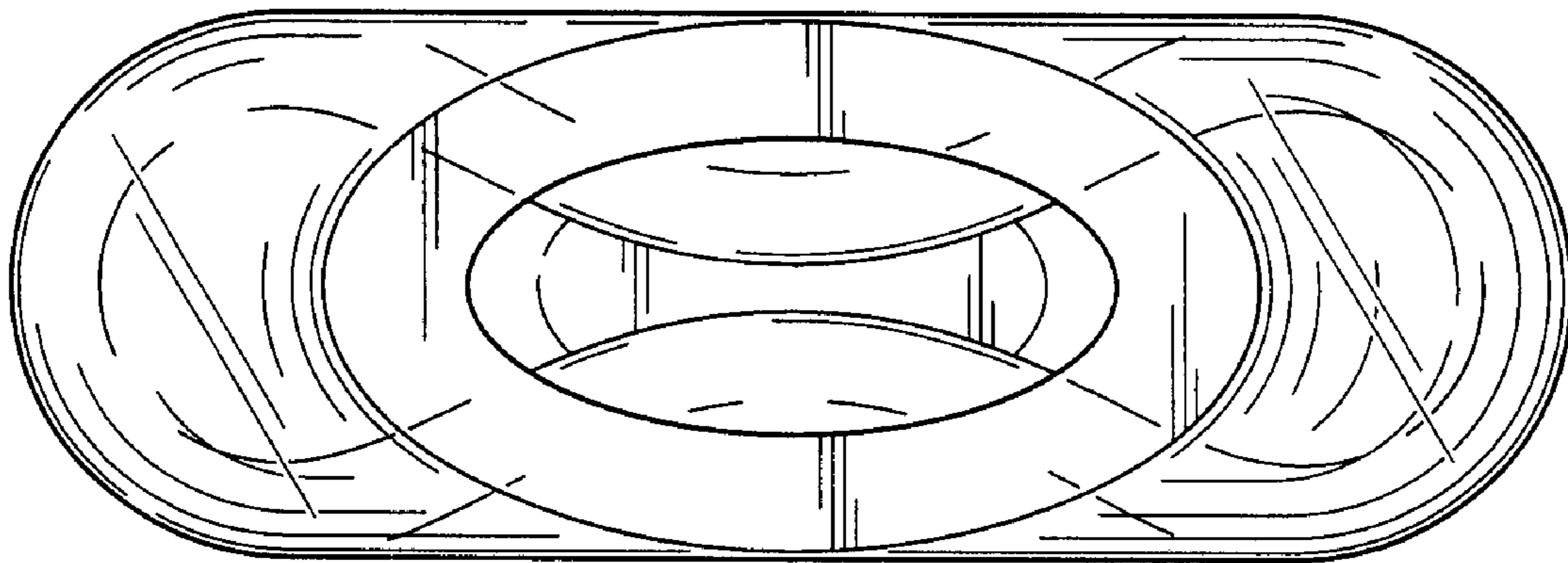


FIG. 5

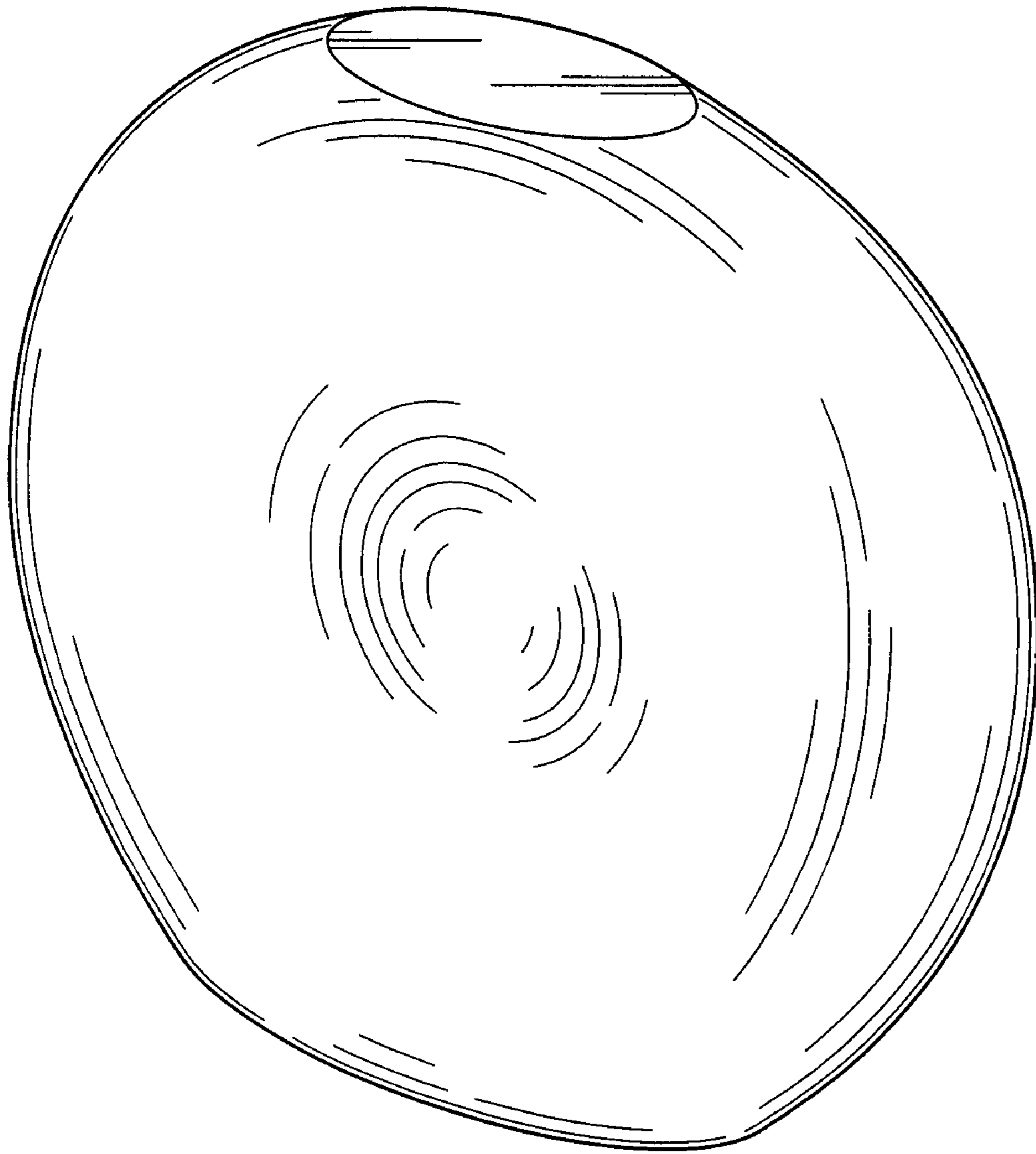


FIG. 6

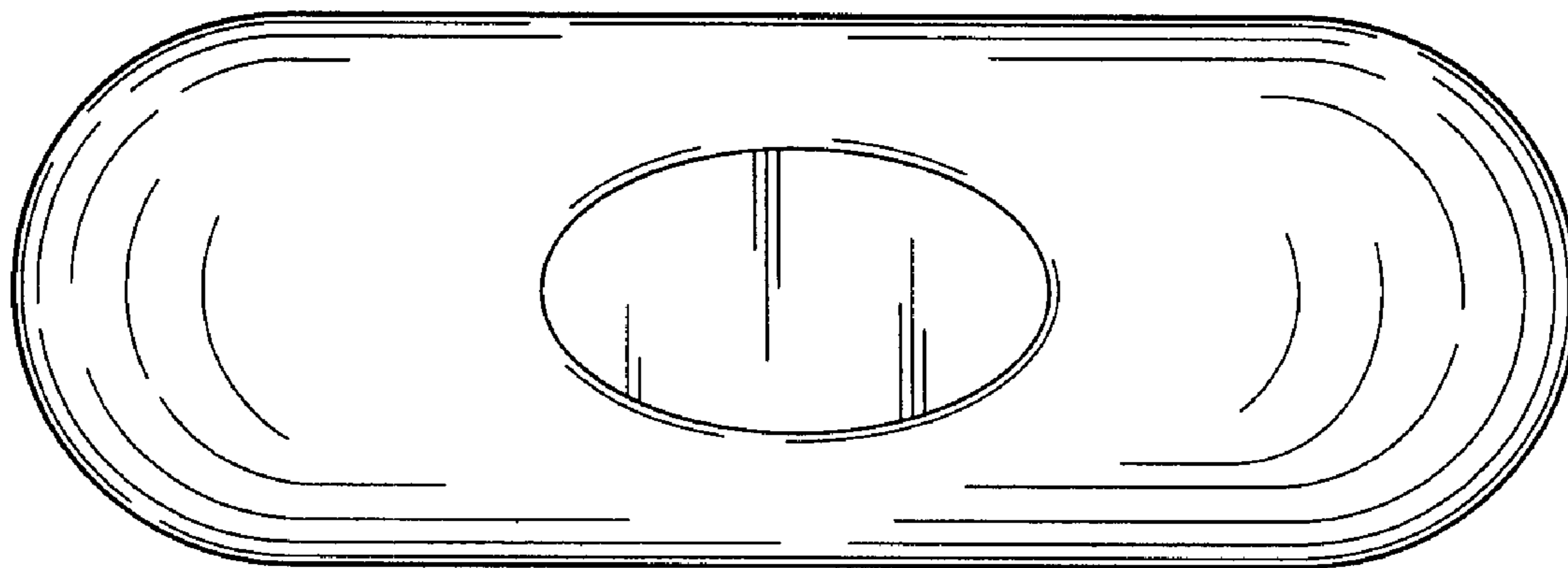


FIG. 7

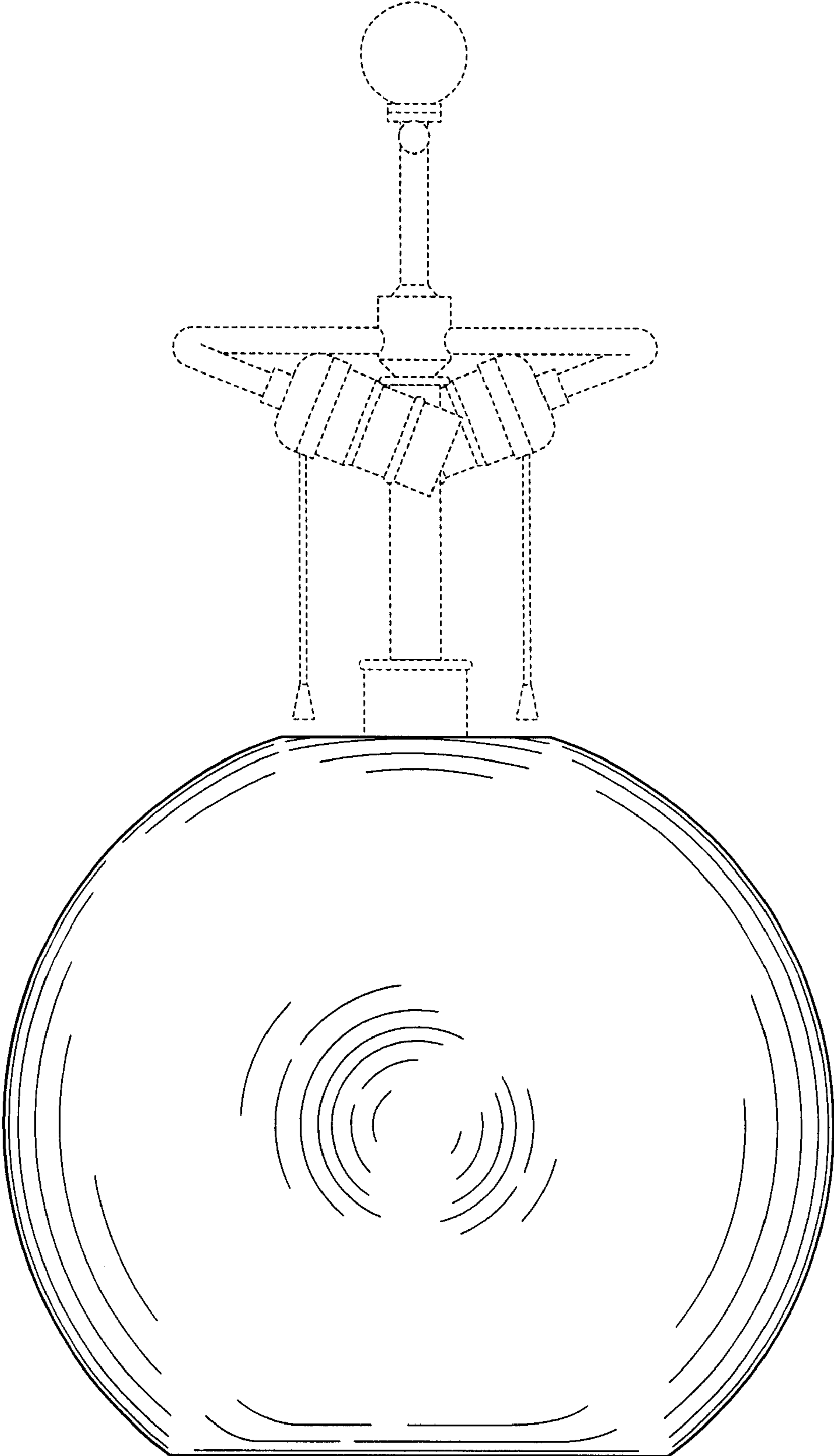


FIG. 8

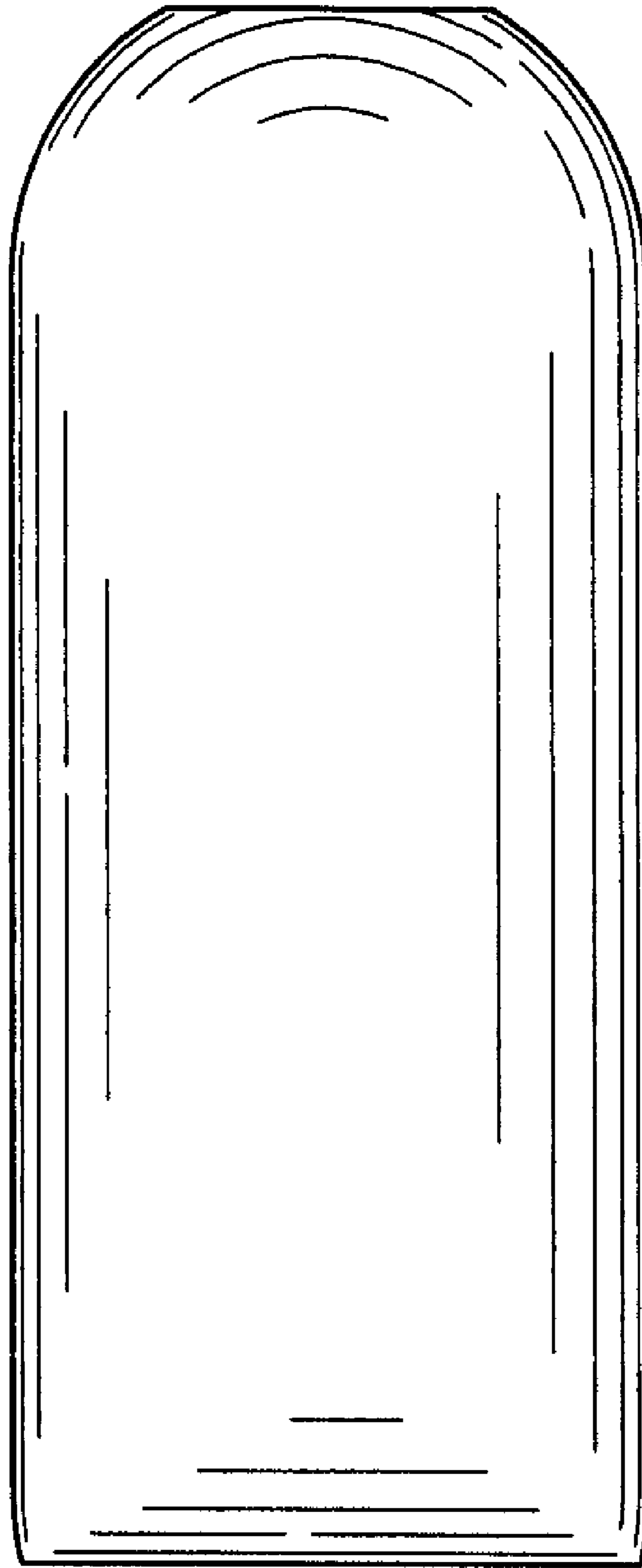


FIG. 9

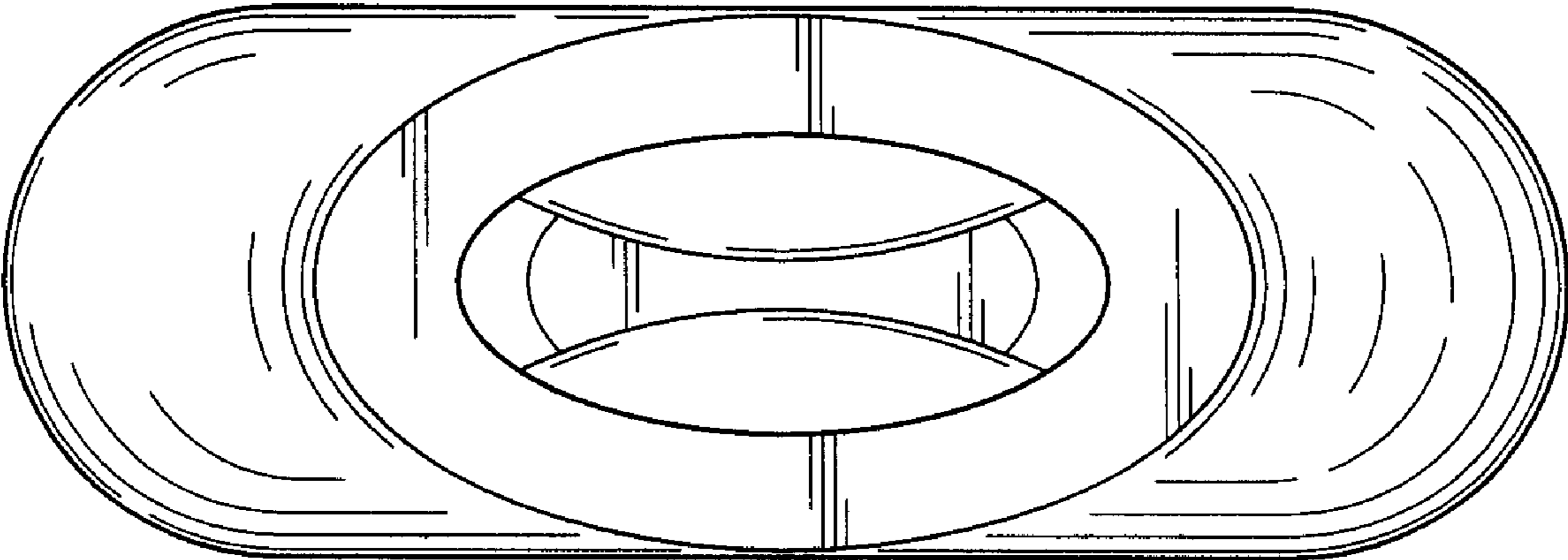


FIG. 10