



US00D514246S

(12) **United States Design Patent**  
**Hoernig**

(10) **Patent No.:** **US D514,246 S**

(45) **Date of Patent:** **\*\* Jan. 31, 2006**

(54) **WALL-MOUNTED LIGHT FIXTURE**

D487,815 S \* 3/2004 Hoernig ..... D26/87

(75) Inventor: **Victor Hoernig**, Lowell, IN (US)

\* cited by examiner

(73) Assignee: **Brasstech, Inc.**, Santa Ana, CA (US)

*Primary Examiner*—Clare E Heflin

(\*\*) Term: **14 Years**

(74) *Attorney, Agent, or Firm*—Kwadjo Adusei-Poku;  
Lloyd D. Doigan

(21) Appl. No.: **29/224,594**

(57) **CLAIM**

(22) Filed: **Mar. 3, 2005**

The ornamental design for a wall-mounted light fixture, as shown and described.

(51) **LOC (8) Cl.** ..... **26-03**

(52) **U.S. Cl.** ..... **D26/87; D26/92**

(58) **Field of Classification Search** ..... D26/72,  
D26/73, 85, 87, 92, 118, 128–130, 137, 145–147,  
D26/155, 156; 362/147, 362, 370, 371, 431,  
362/432

See application file for complete search history.

**DESCRIPTION**

FIG. 1 is a front perspective view of a wall-mounted light fixture showing my design;

FIG. 2 is a bottom plan view thereof;

FIG. 3 is a top plan view thereof;

FIG. 4 is a front elevational view thereof;

FIG. 5 is a rear elevational view thereof;

FIG. 6 is a left side elevational view thereof;

FIG. 7 is a right side elevational view thereof; and,

FIG. 8 is a front perspective view of an alternate embodiment of the invention.

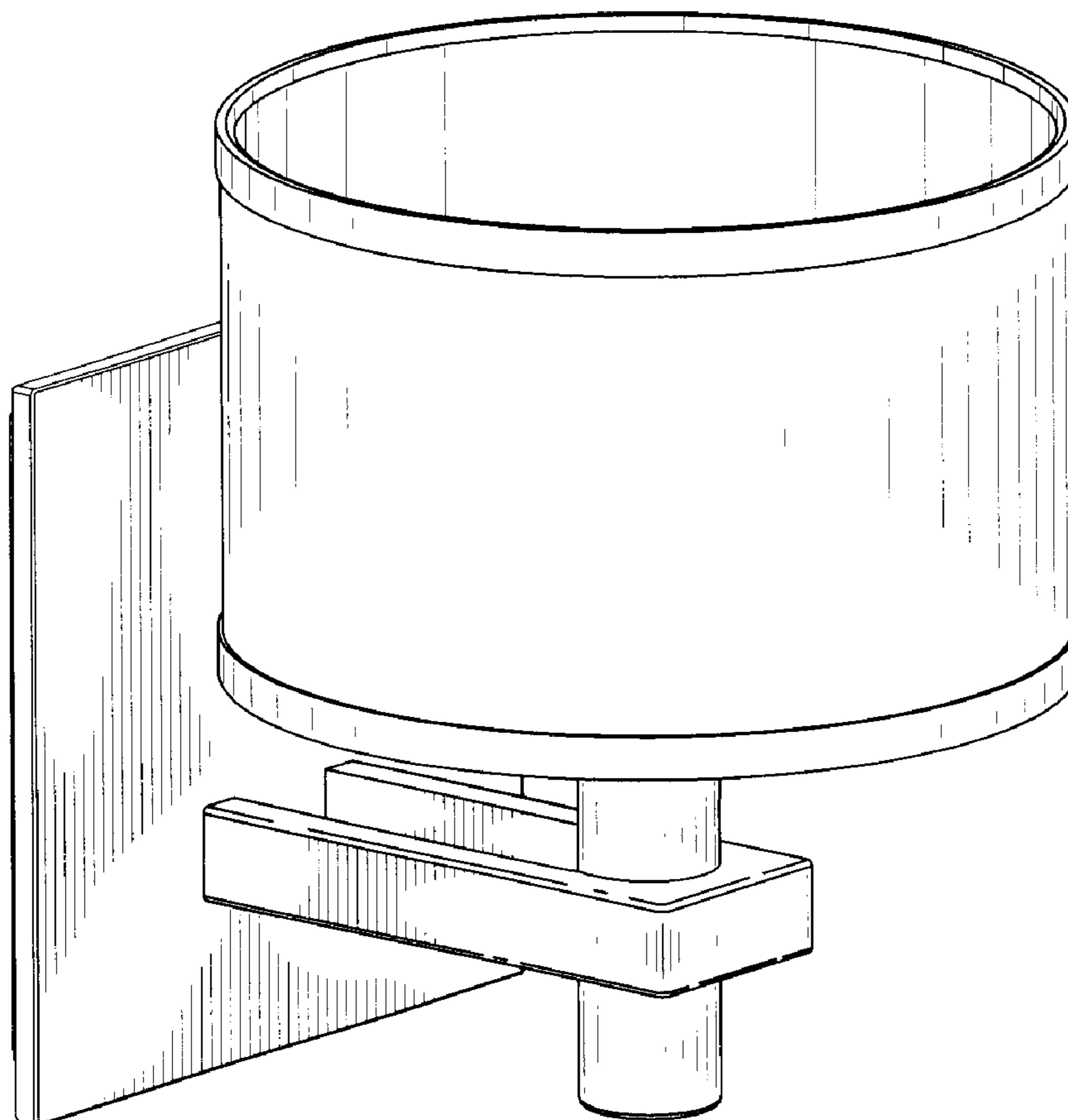
The broken lines in the Figures are for illustrative purposes only and form no part of the claimed design.

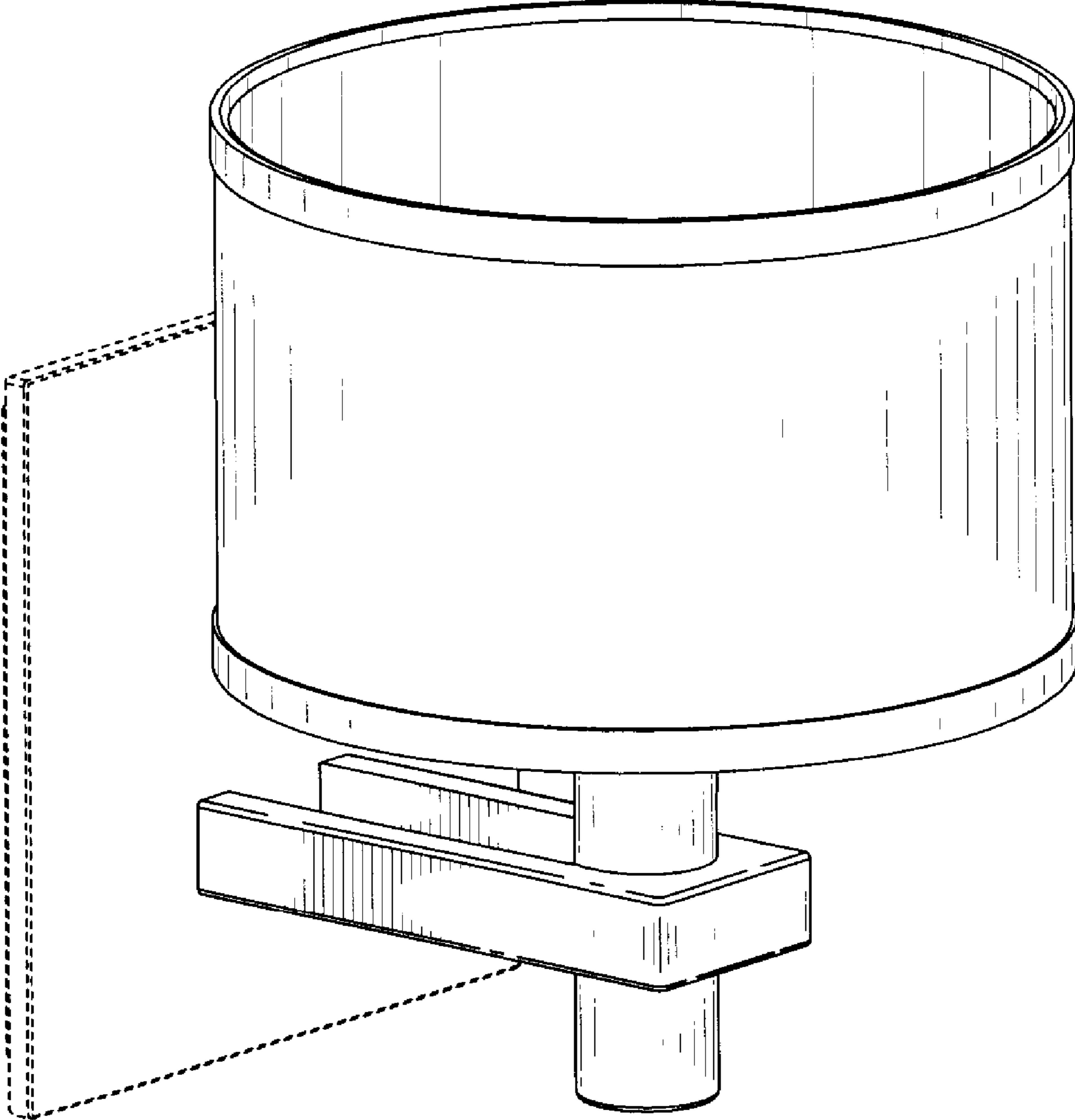
(56) **References Cited**

**U.S. PATENT DOCUMENTS**

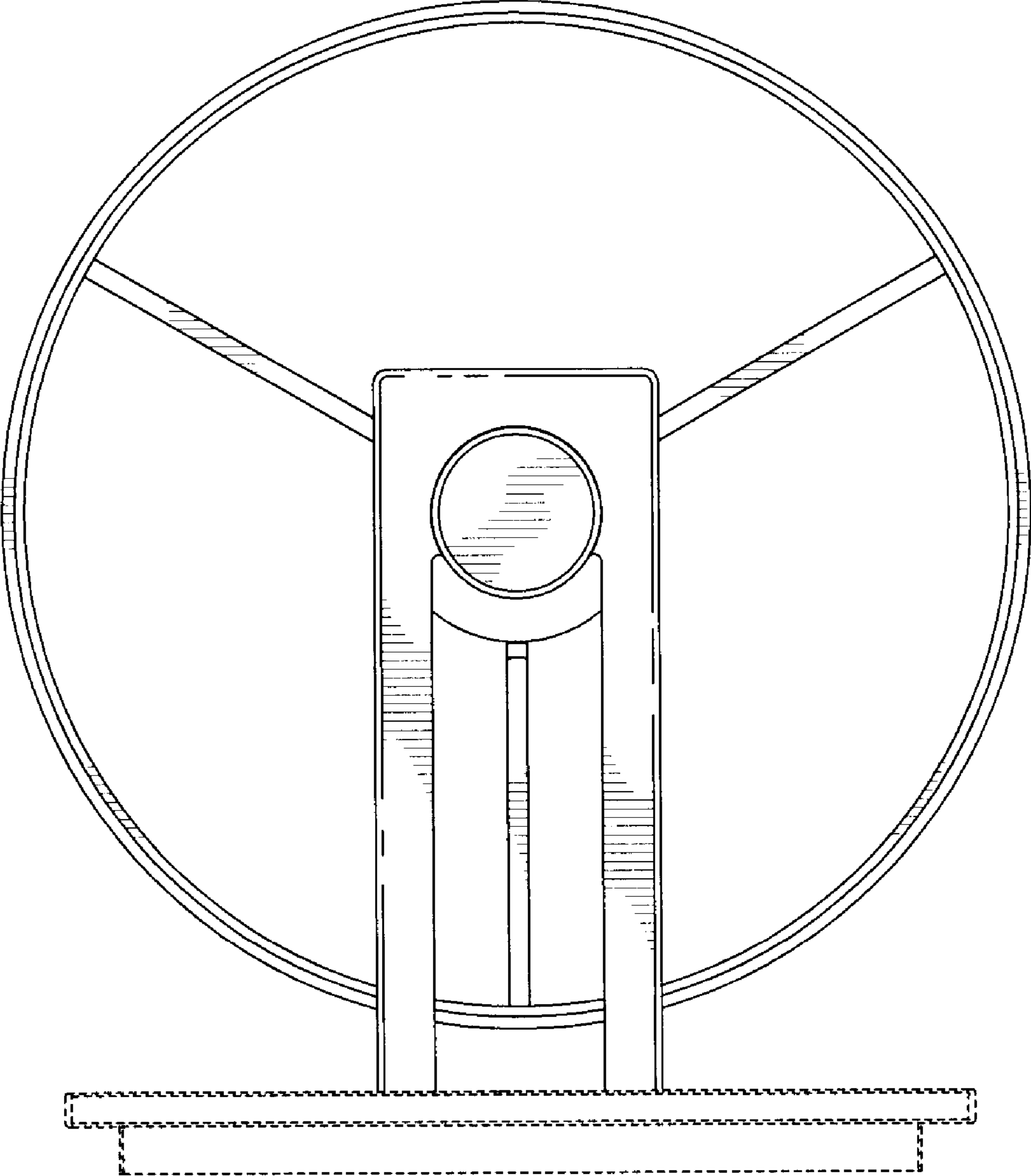
1,416,664 A	*	5/1922	Healy et al.	.....	362/432
D150,250 S	*	7/1948	Paxton	.....	D26/87
D394,125 S	*	5/1998	Barry	.....	D26/87
D418,624 S	*	1/2000	Vanderbyl	.....	D26/87
D448,881 S	*	10/2001	Lin	.....	D26/87
D473,675 S	*	4/2003	Lee	.....	D26/87

**1 Claim, 8 Drawing Sheets**

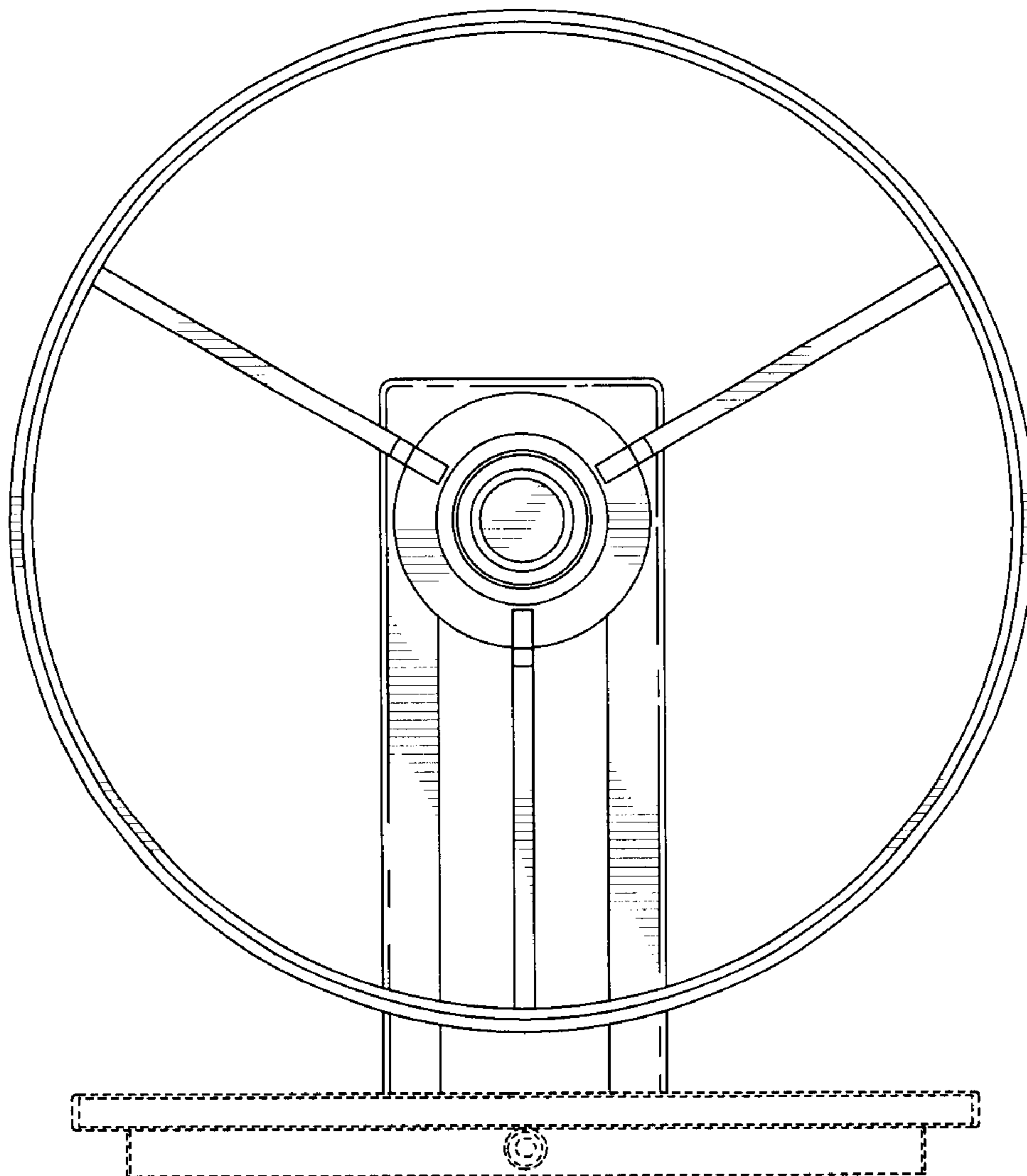




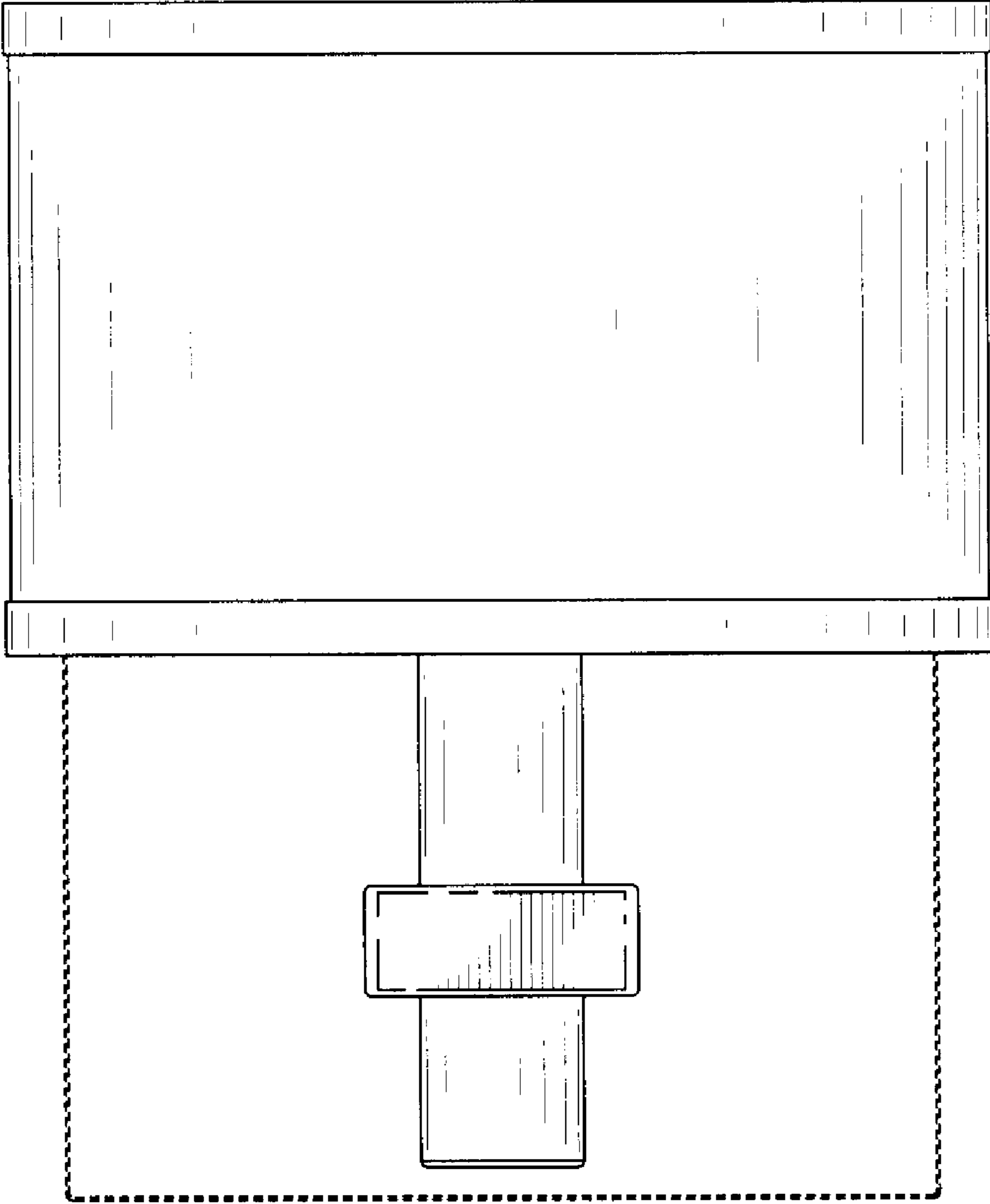
**FIG. 1**



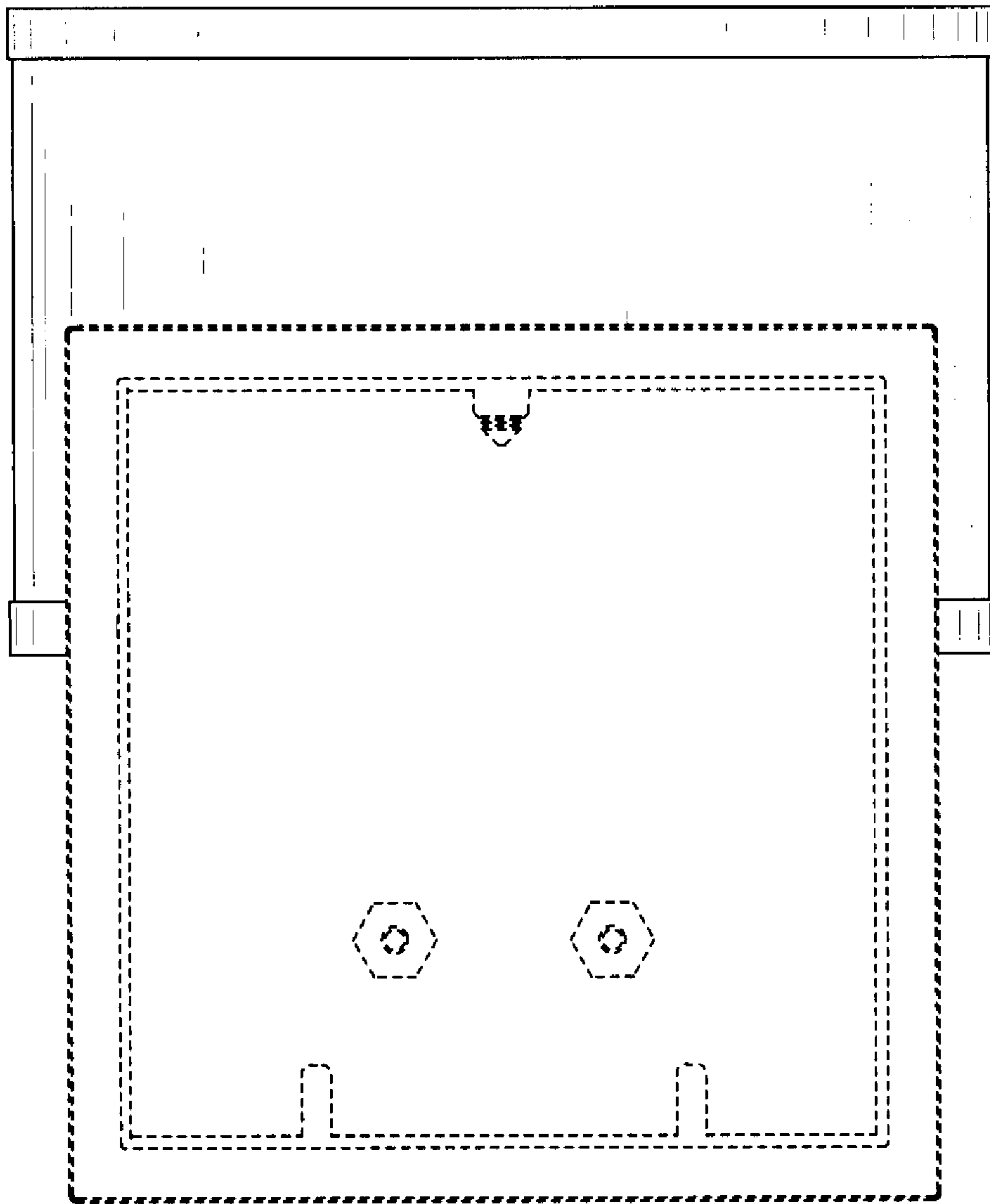
**FIG. 2**



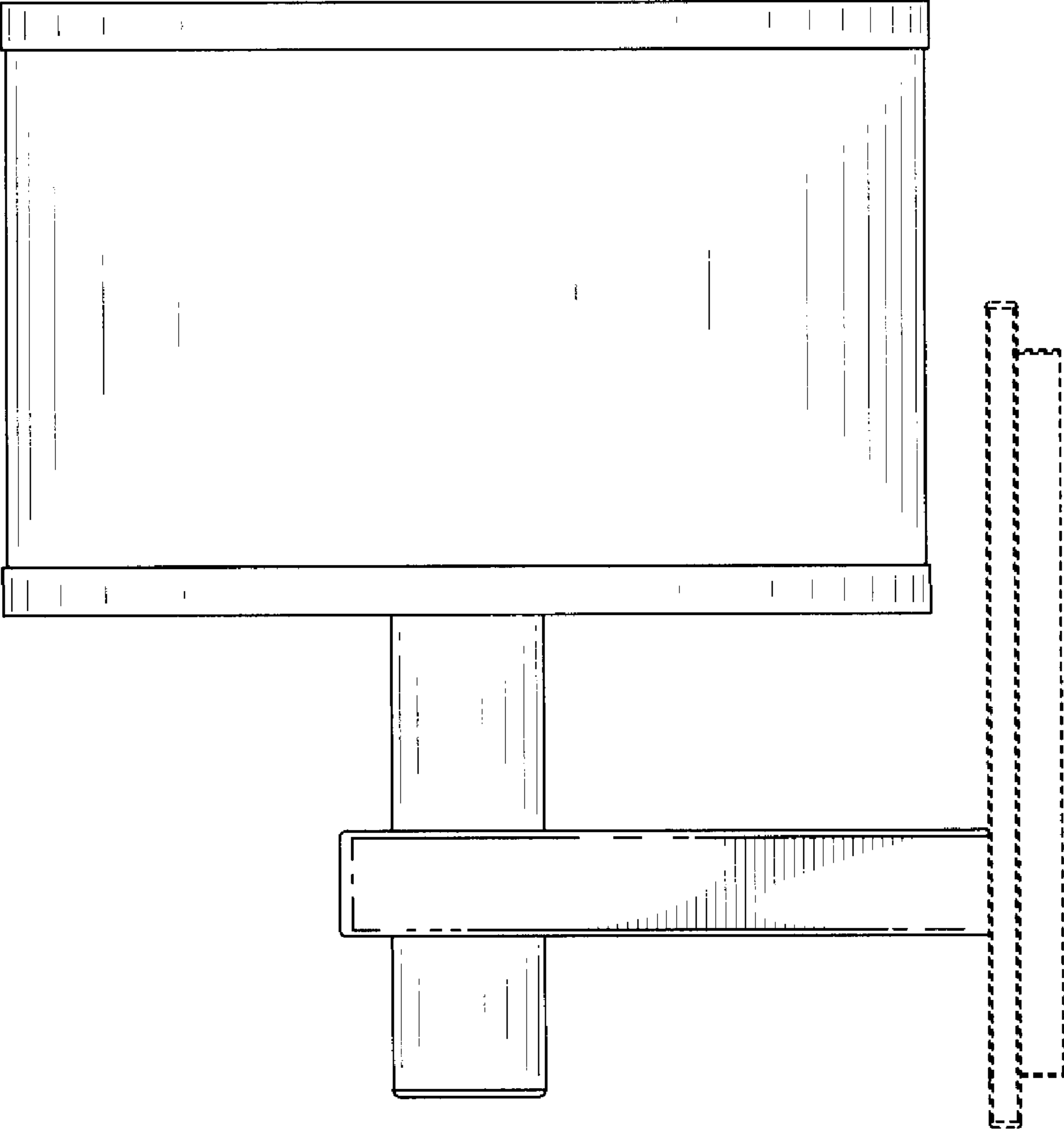
**FIG. 3**



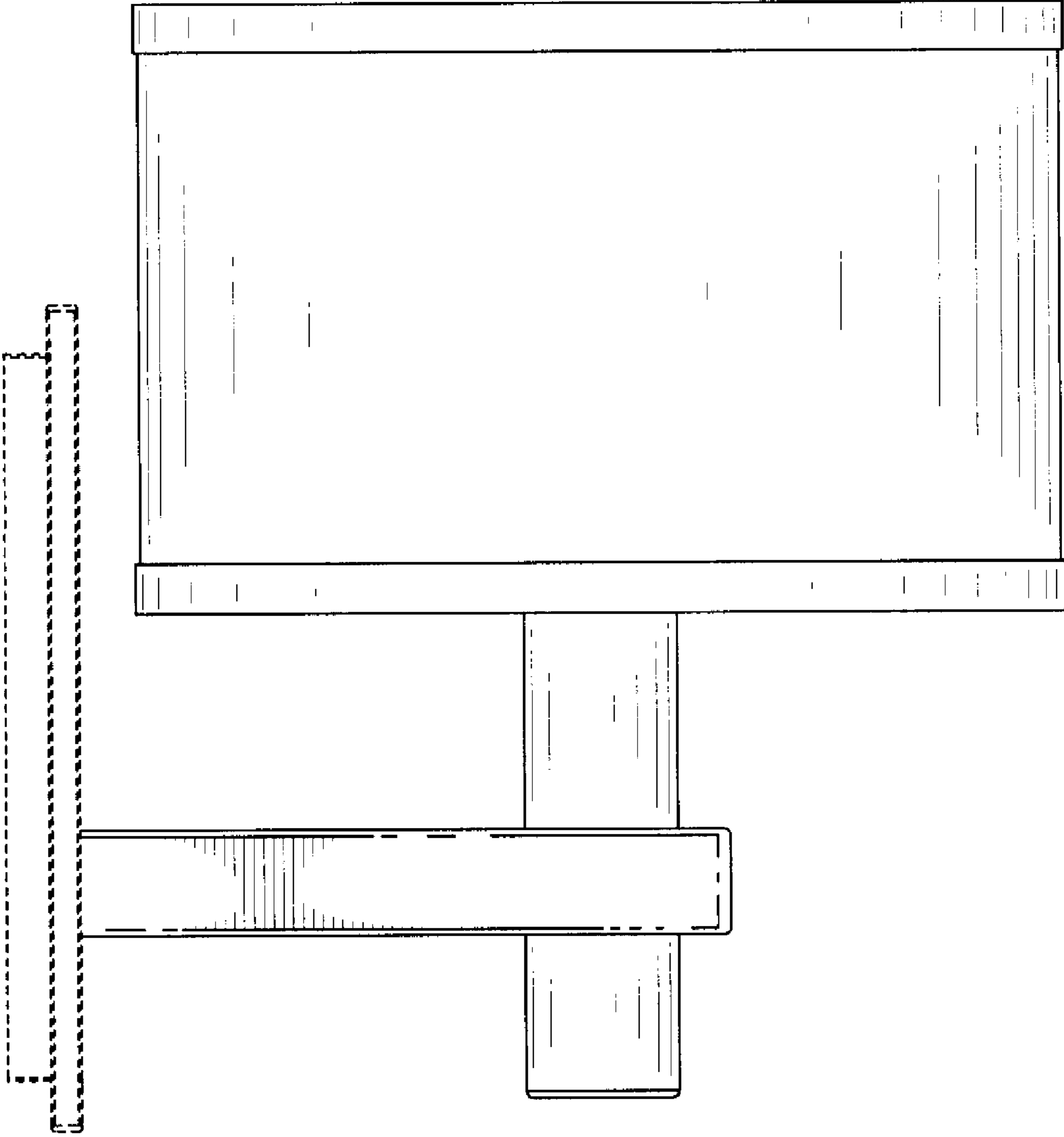
**FIG. 4**



**FIG. 5**

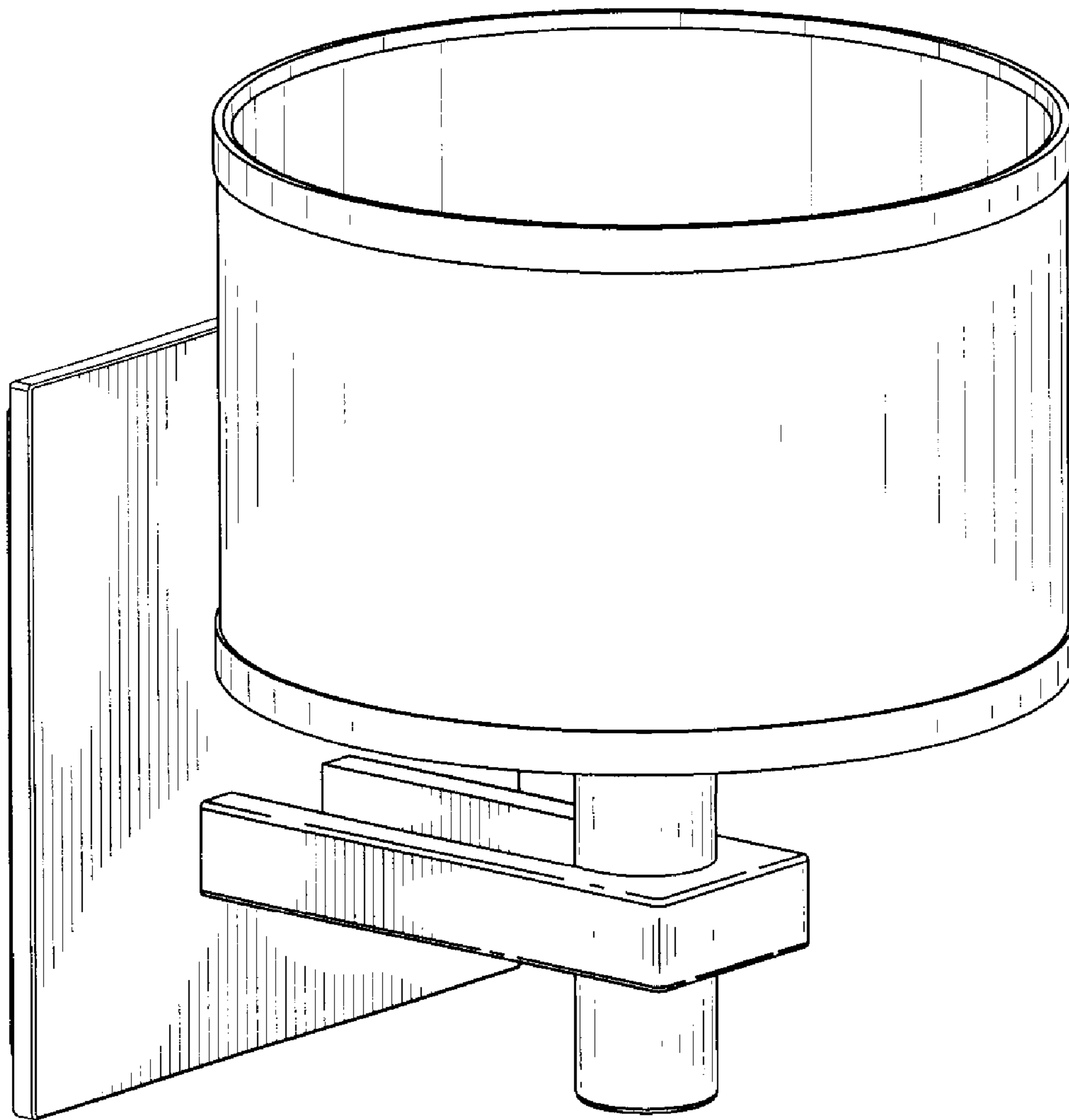


**FIG. 6**



**FIG. 7**





**FIG. 8**