



US00D514244S

(12) **United States Design Patent**  
**Curtin**

(10) **Patent No.:** **US D514,244 S**  
(45) **Date of Patent:** **\*\* Jan. 31, 2006**

(54) **LANTERN**  
(75) **Inventor:** **Brett Curtin**, Phoenix, AZ (US)  
(73) **Assignee:** **Craftmade International, Inc.**,  
Coppell, TX (US)  
(\*\*) **Term:** **14 Years**

D458,404 S 6/2002 De'Armond  
D461,581 S 8/2002 De'Armond  
D464,163 S 10/2002 Orozco  
D464,459 S 10/2002 De'Armond et al.  
D465,052 S 10/2002 De'Armond et al.  
D465,059 S 10/2002 De'Armond  
D465,060 S 10/2002 De'Armond  
D465,873 S 11/2002 De'Armond  
D465,875 S 11/2002 De'Armond  
D473,673 S 4/2003 Crelin

(21) **Appl. No.:** **29/210,879**  
(22) **Filed:** **Aug. 6, 2004**

(51) **LOC (8) Cl.** ..... **26-05**  
(52) **U.S. Cl.** ..... **D26/85; D26/87; D26/92**  
(58) **Field of Classification Search** ..... **D26/72,**  
**D26/73, 85, 87, 92, 118, 128-130, 137, 145-147,**  
**D26/155, 156; 362/147, 362, 370, 371, 431,**  
**362/432**

See application file for complete search history.

(56) **References Cited**

**U.S. PATENT DOCUMENTS**

D72,714 S 5/1927 Lipschutz  
D76,062 S \* 8/1928 Shortt ..... D26/87  
D81,452 S 6/1930 Osborn  
D314,834 S 2/1991 Rottner  
D371,622 S 7/1996 Hsu  
D420,760 S 2/2000 Meck et al.  
D428,662 S 7/2000 Jaspers-Fayer et al.  
D429,016 S 8/2000 Cohen  
D434,522 S 11/2000 De'Armond et al.  
D436,208 S 1/2001 De'Armond  
D437,073 S \* 1/2001 De'Armond ..... D26/72  
D438,660 S 3/2001 De'Armond et al.  
D440,002 S 4/2001 Miranda  
D440,344 S 4/2001 De'Armond  
D446,335 S 8/2001 Cheong  
D454,654 S 3/2002 De'Armond et al.  
D454,972 S 3/2002 De'Armond  
D455,515 S 4/2002 De'Armond et al.  
D455,856 S 4/2002 De'Armond et al.  
D456,934 S 5/2002 Hsu  
D457,681 S 5/2002 De'Armond

**OTHER PUBLICATIONS**

Corbett Lighting Catalog ©2000. Items 5781 and 5783 on p. 139.\*  
Framburg 2001 Catalog. Items 8754, 8755 and 8756 from the "Somerset" collection on p. 160.\*  
Framburg 2001 Catalog. Items 8320, 8325, 8330 and 8334 on p. 176.\*  
Lamps Plus' Spring 2005 Lighting Catalog. Item C—"Bellagio Collection Wall Light" on p. 36.\*

\* cited by examiner

*Primary Examiner*—Clare E Heflin  
(74) *Attorney, Agent, or Firm*—Haynes and Boone, LLP

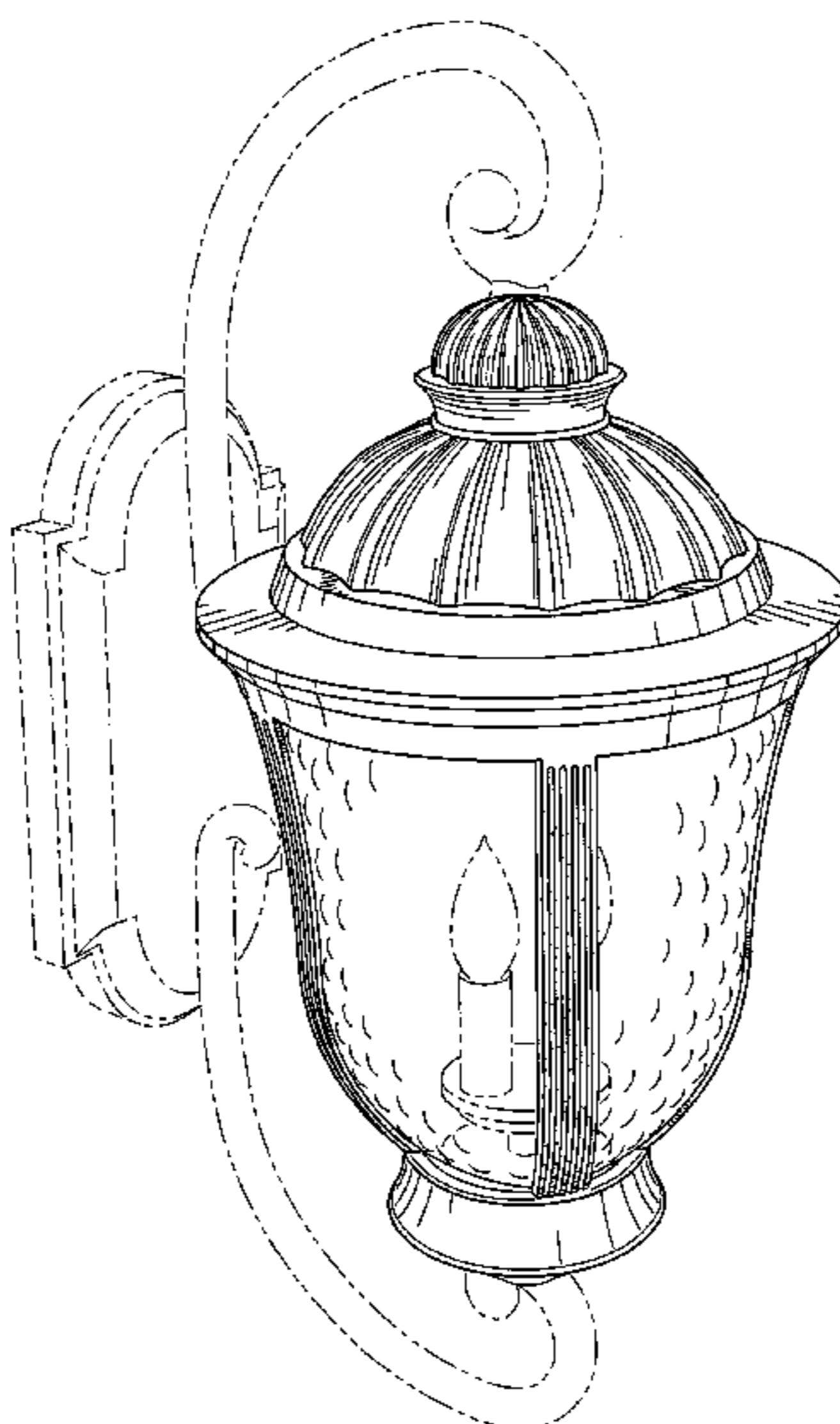
(57) **CLAIM**

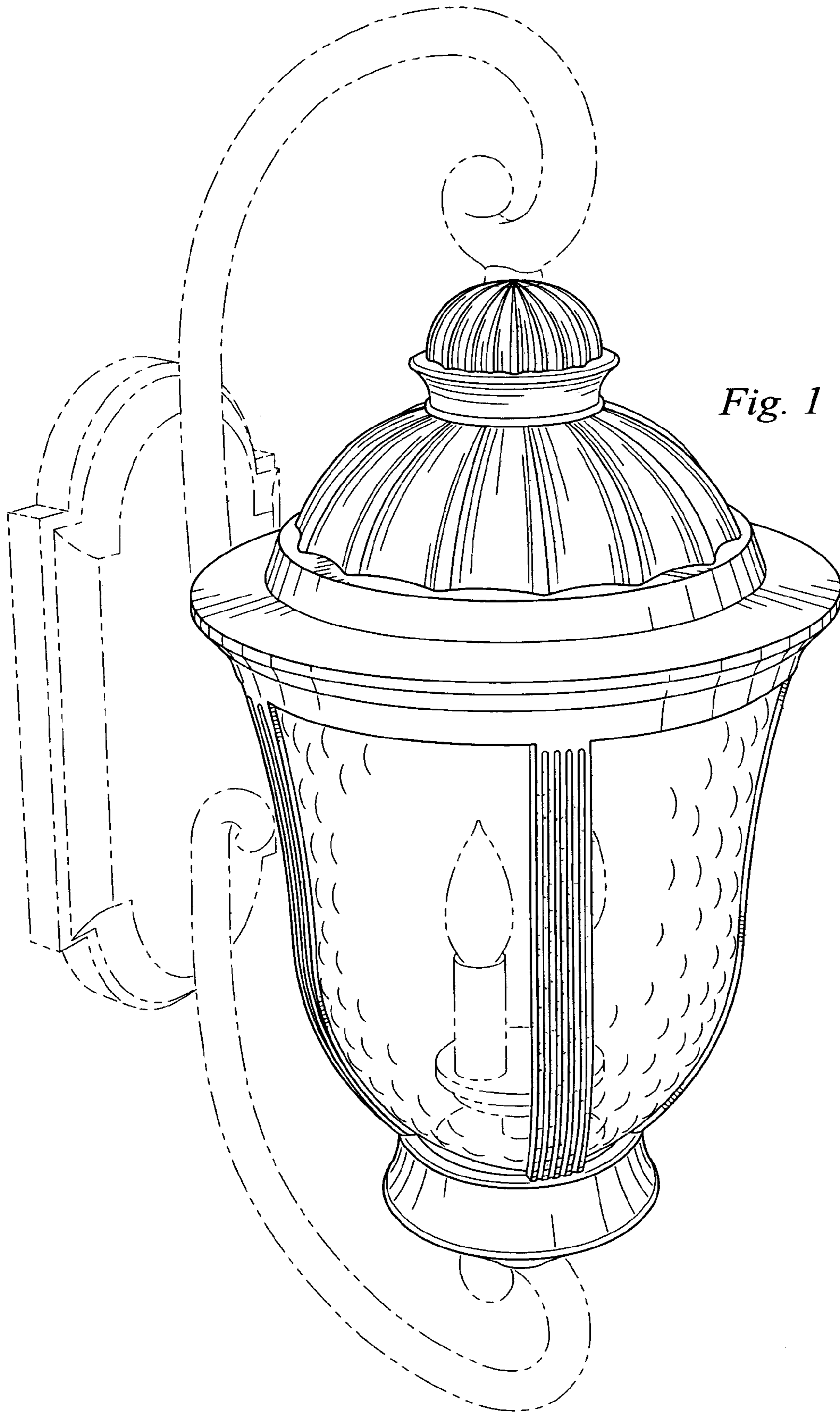
The ornamental design for the lantern, as shown and described.

**DESCRIPTION**

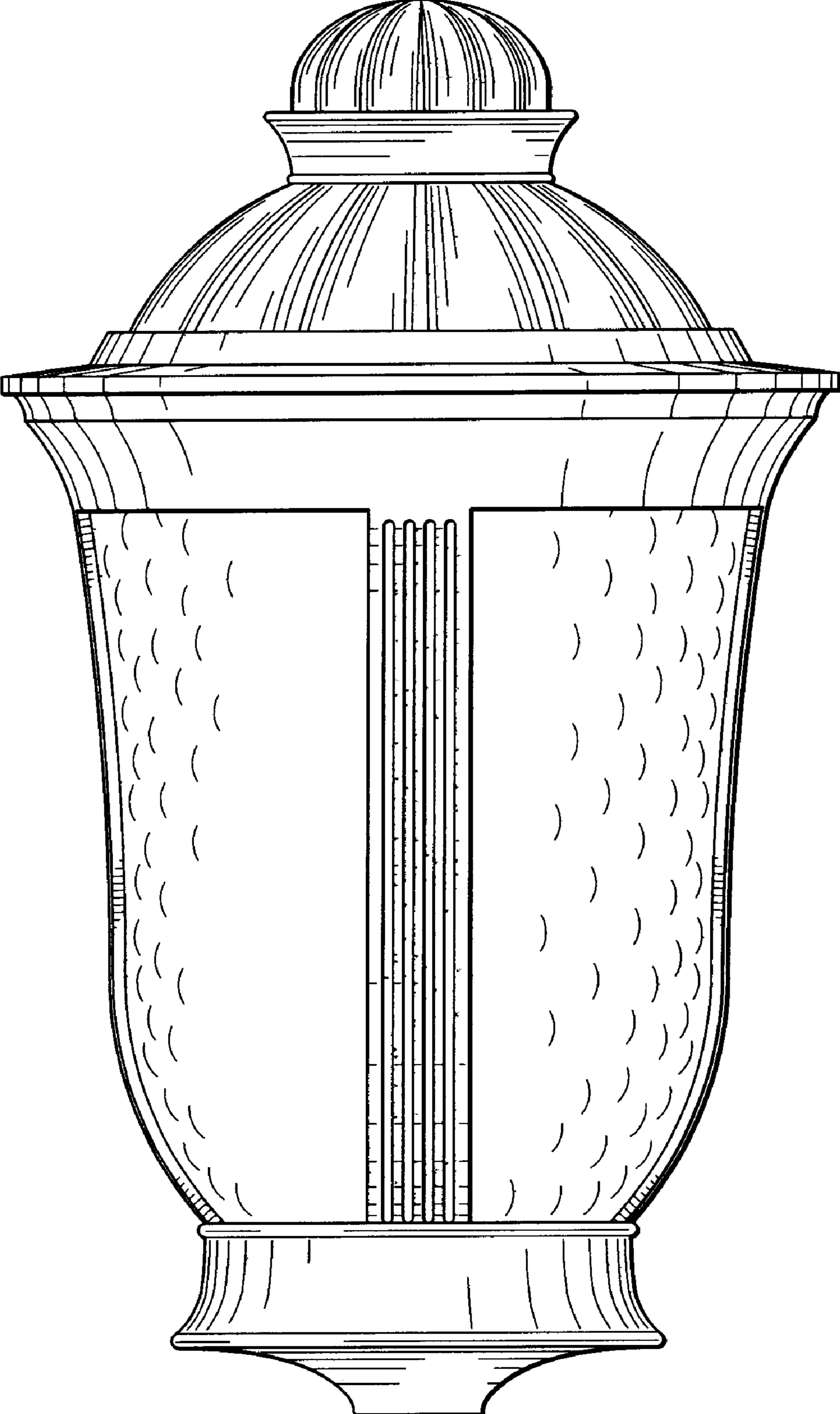
FIG. 1 is a perspective view of the lantern showing my new design;  
FIG. 2 is a front elevational view thereof, the rear elevational view being the same;  
FIG. 3 is a right side elevational view thereof, the left side elevational view being the same;  
FIG. 4 is a top plan view thereof; and,  
FIG. 5 is a bottom plan view thereof.  
Any broken line illustration of environmental structure in the drawings is not part of the design sought to be patented.

**1 Claim, 4 Drawing Sheets**



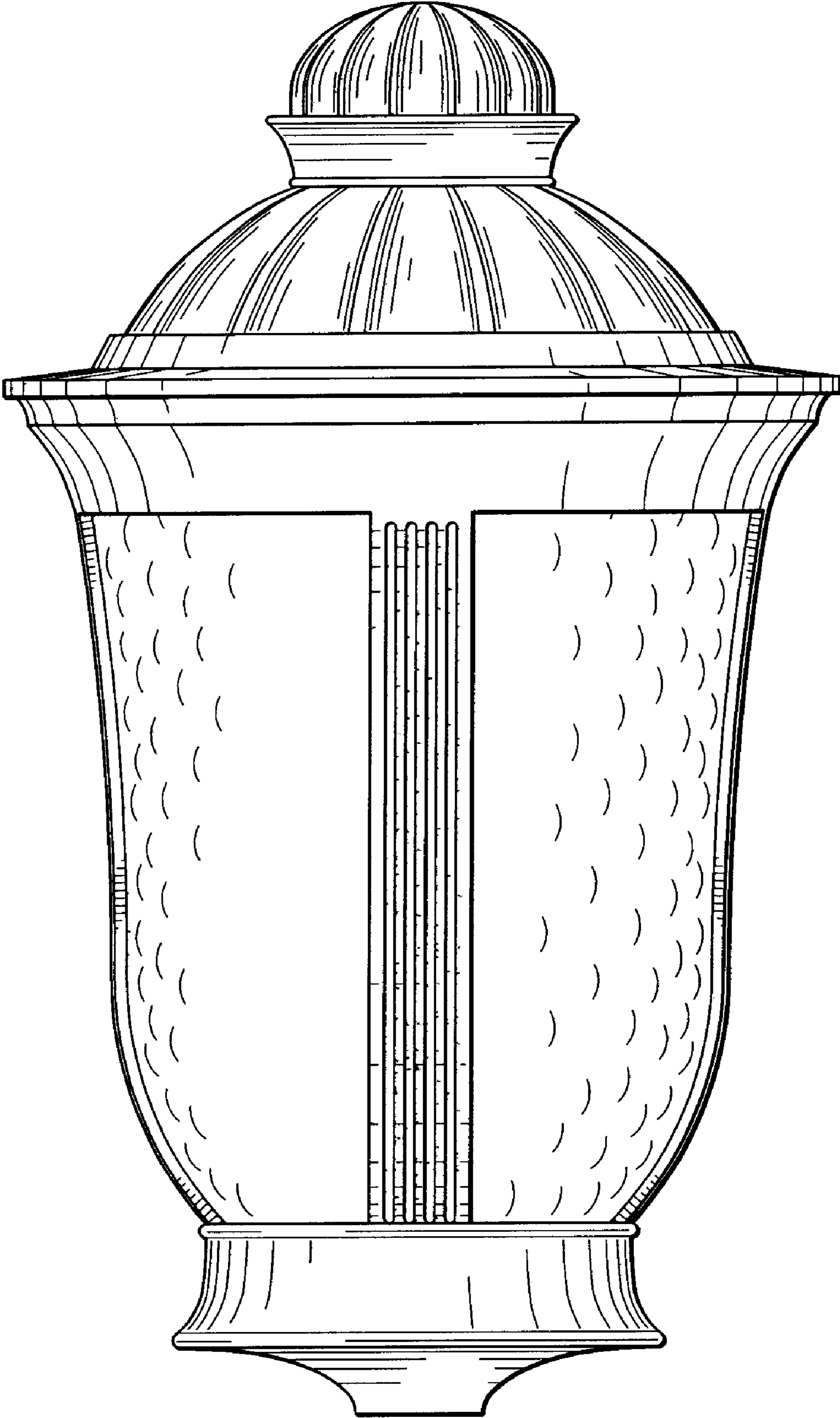


*Fig. 1*



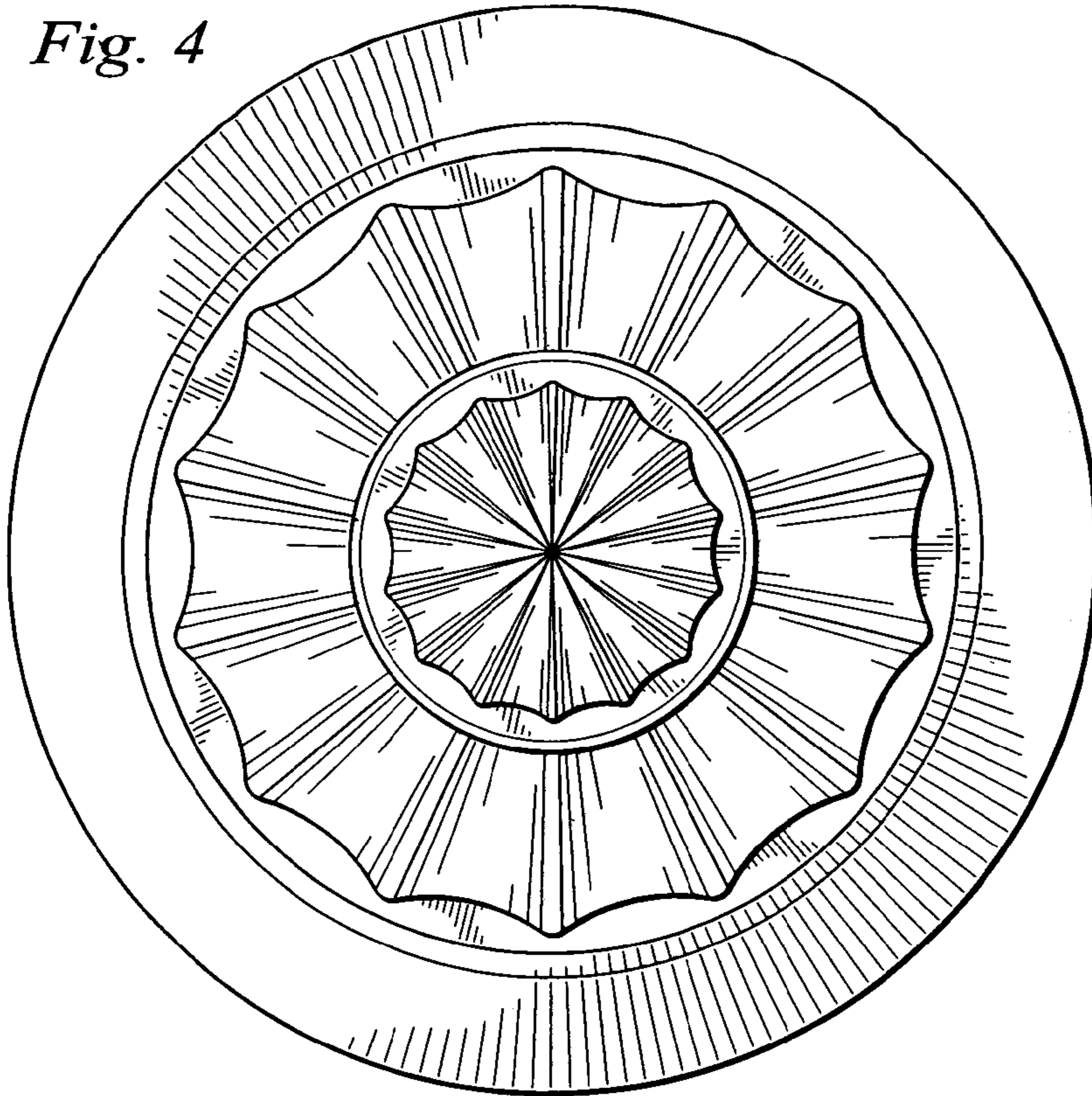
*Fig. 2*





*Fig. 3*

*Fig. 4*



*Fig. 5*

