



US00D514239S

(12) **United States Design Patent**
Okuda

(10) **Patent No.:** **US D514,239 S**
(45) **Date of Patent:** **** Jan. 31, 2006**

(54) **HEADLAMP FOR A BICYCLE**
(75) **Inventor:** **Yoji Okuda, Tondabayashi (JP)**
(73) **Assignee:** **Cateye Co., Ltd., Osaka (JP)**
(**) **Term:** **14 Years**

D441,471 S * 5/2001 Nagano D26/28
D444,581 S * 7/2001 Okuda D26/28

* cited by examiner

Primary Examiner—Marcus A. Jackson
(74) *Attorney, Agent, or Firm*—Olson & Hierl, Ltd.

(21) **Appl. No.:** **29/168,171**
(22) **Filed:** **Sep. 26, 2002**
(30) **Foreign Application Priority Data**

(57) **CLAIM**

The ornamental design for a headlamp for a bicycle, as shown.

Apr. 9, 2002 (JP) 2002-009519

DESCRIPTION

(51) **LOC (8) Cl.** **26-04**
(52) **U.S. Cl.** **D26/28**
(58) **Field of Classification Search** D26/28-36;
362/61, 74, 80, 81, 82, 83, 83.3, 157, 183-208
See application file for complete search history.

FIG. 1 is a front view of a headlamp for a bicycle showing our new design;
FIG. 2 is a rear view thereof;
FIG. 3 is a top plan view thereof;
FIG. 4 is a bottom plan view thereof;
FIG. 5 is a right side view thereof; and,
FIG. 6 is a perspective view thereof.

(56) **References Cited**
U.S. PATENT DOCUMENTS

D440,675 S * 4/2001 Okuda D26/28

1 Claim, 3 Drawing Sheets

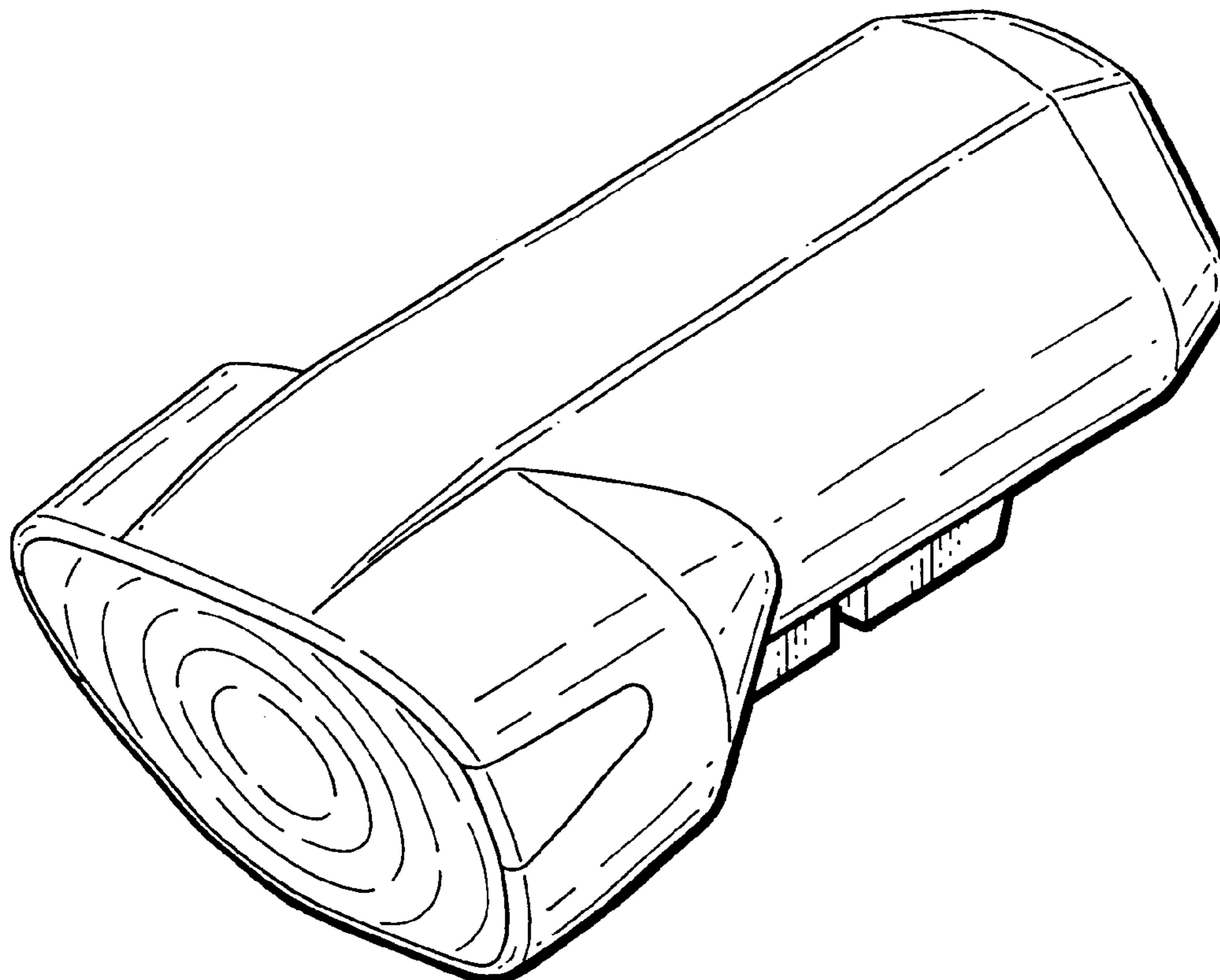


Fig. 1

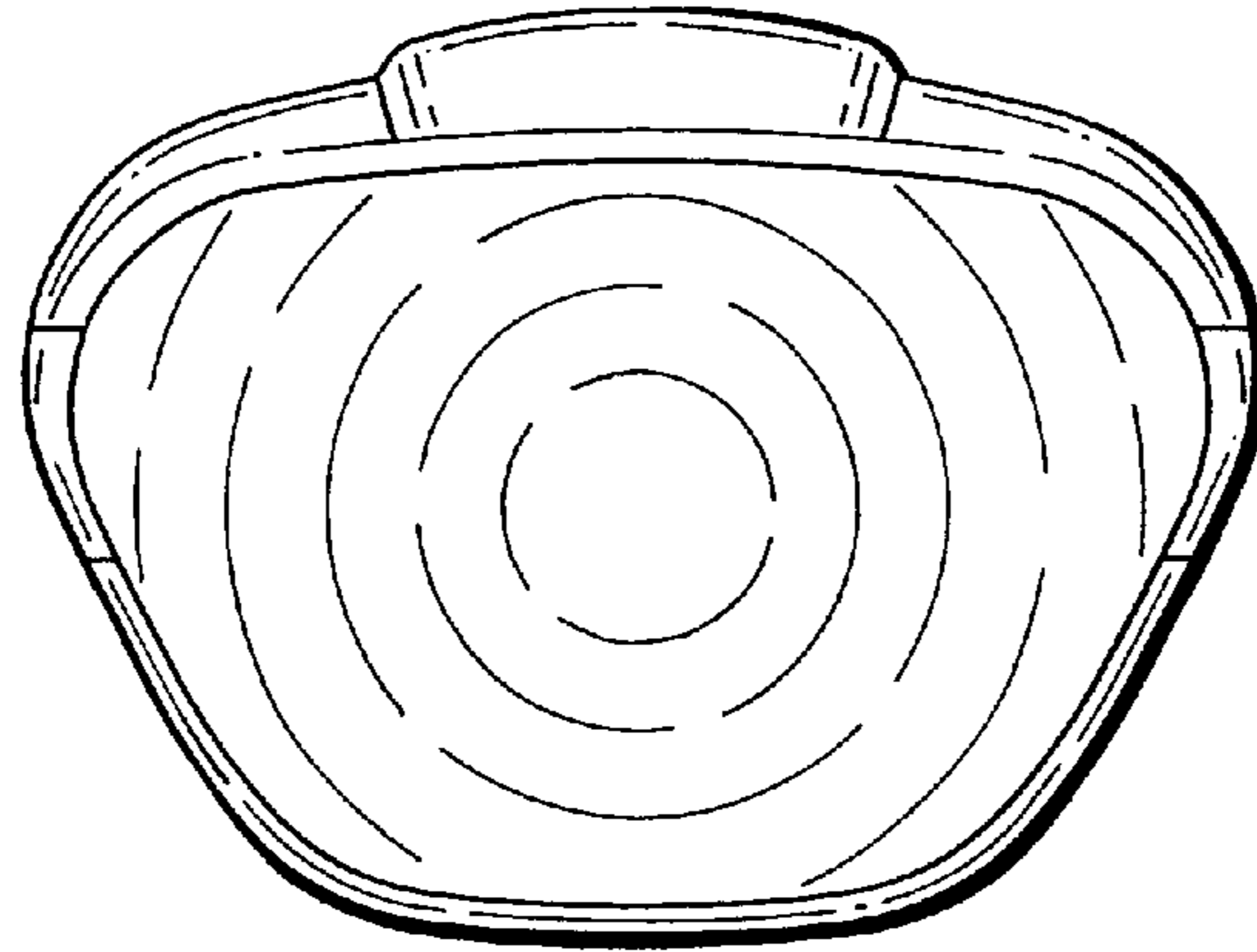


Fig. 2

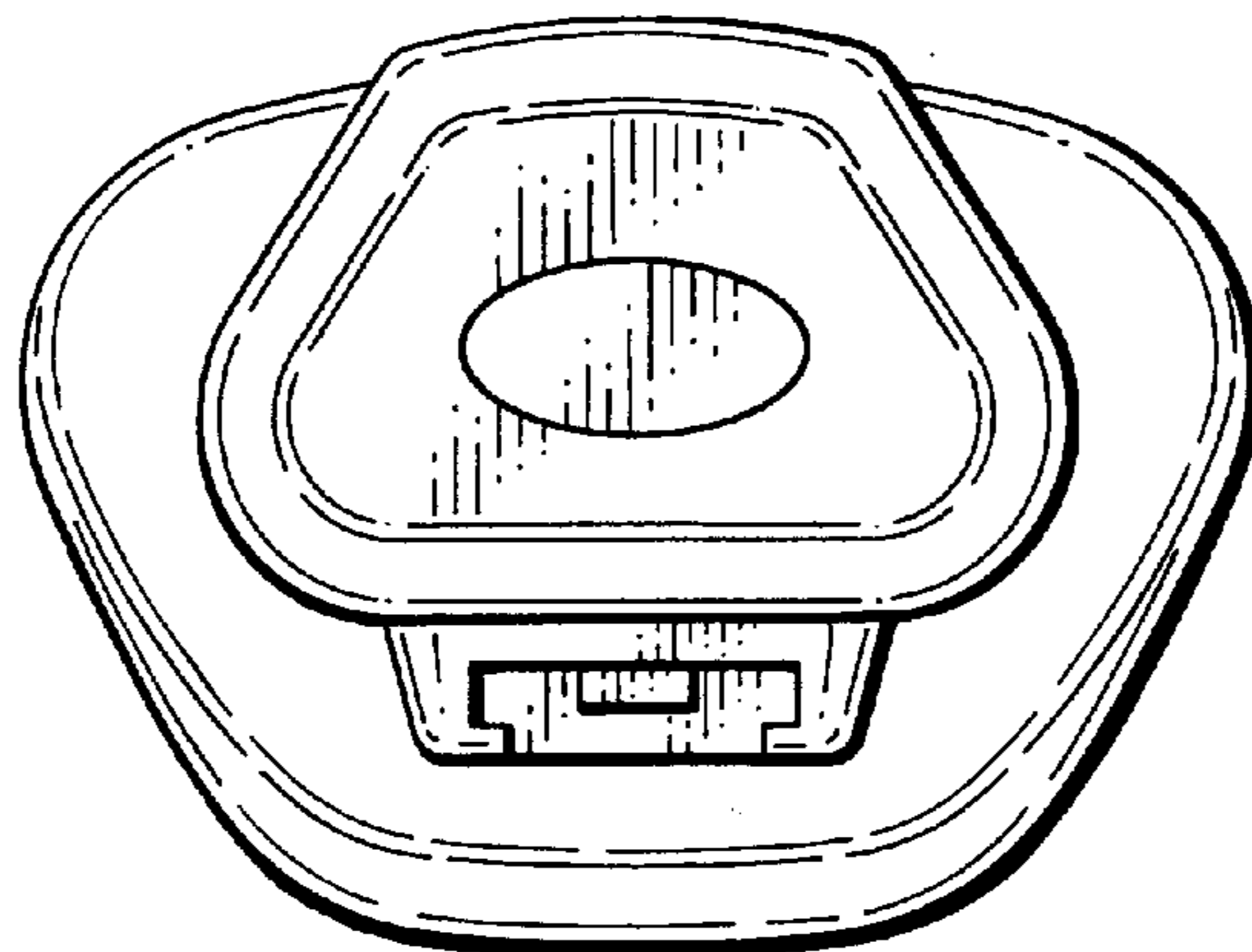


Fig. 3

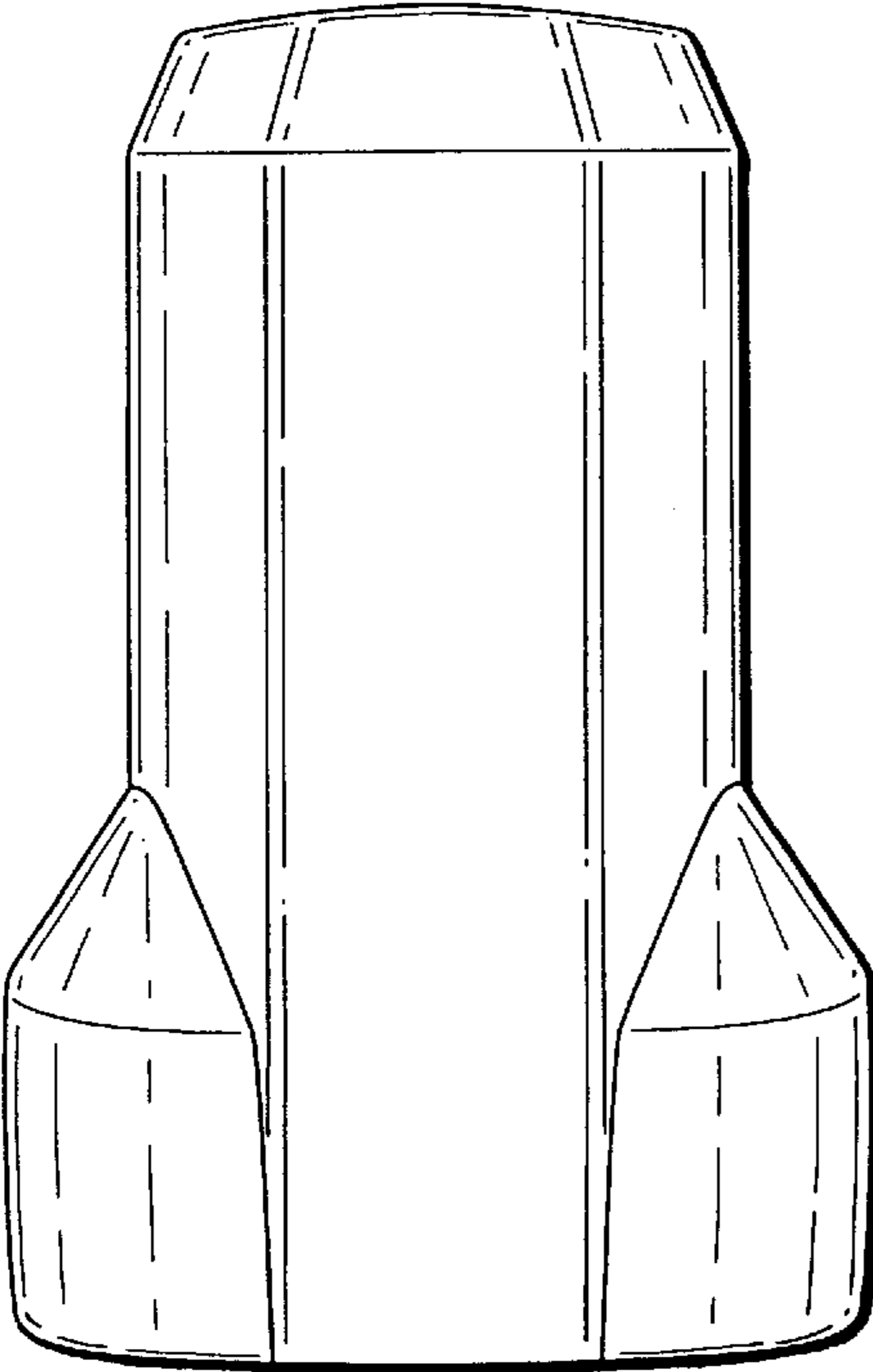


Fig. 4

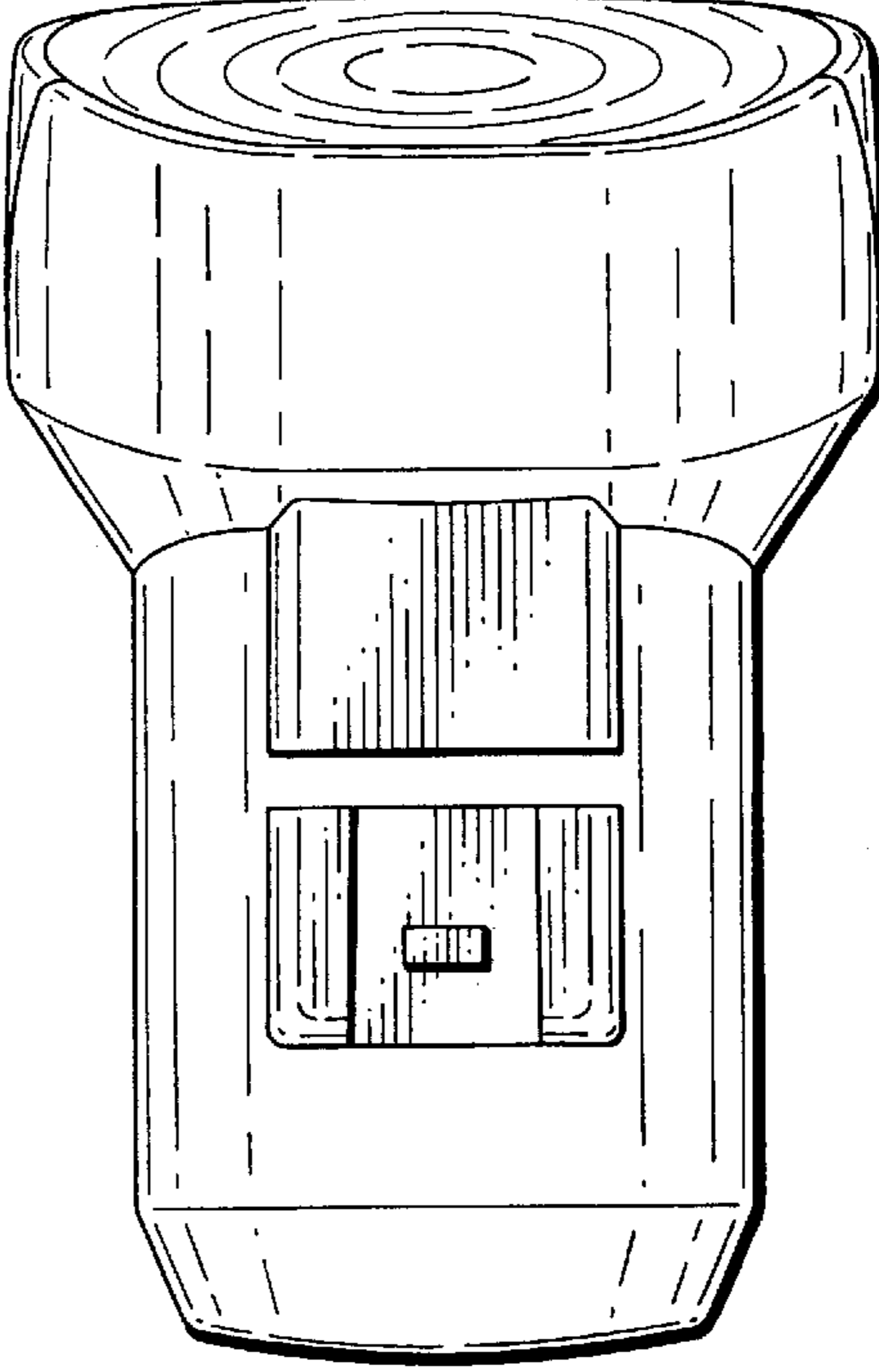


Fig. 5

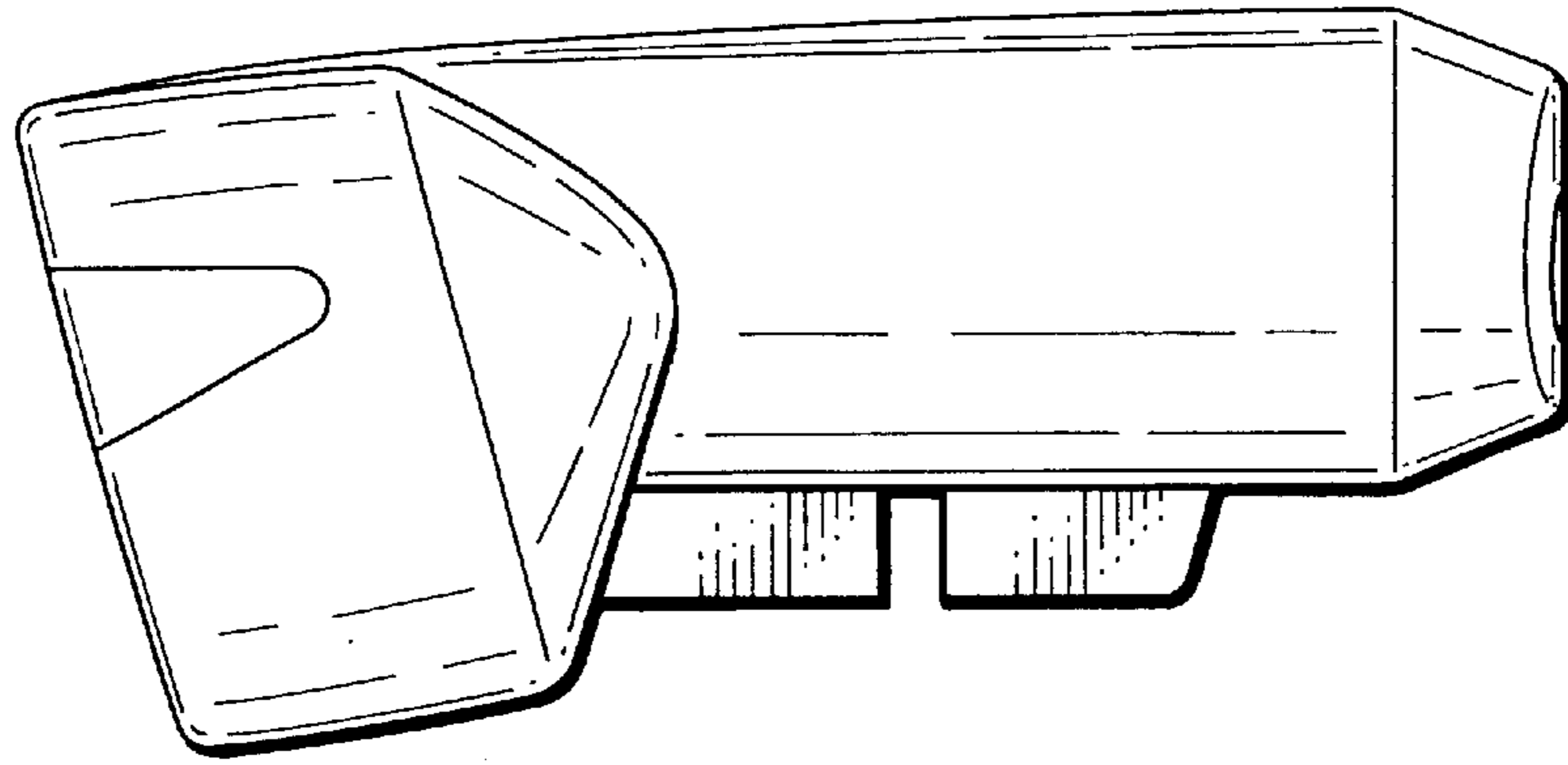


Fig. 6

