



US00D514235S

(12) **United States Design Patent**  
**Rosian**

(10) **Patent No.:** **US D514,235 S**  
(45) **Date of Patent:** **\*\* Jan. 31, 2006**

(54) **COVER FOR RAIL ATTACHMENT**

(76) Inventor: **Michael J. Rosian**, P.O. Box 1041,  
Orland Park, IL (US) 60462

(\*\*) Term: **14 Years**

(21) Appl. No.: **29/195,634**

(22) Filed: **Dec. 15, 2003**

(51) **LOC (8) Cl.** ..... **25-01**

(52) **U.S. Cl.** ..... **D25/135**

(58) **Field of Classification Search** ..... D25/133,  
D25/135; 52/721.5, 723.2; 256/65.01, 65.02,  
256/65.04, 65.05, 65.06

See application file for complete search history.

(56) **References Cited**

**U.S. PATENT DOCUMENTS**

6,311,957 B1 *	11/2001	Driscoll et al.	.....	256/65.05
D456,087 S *	4/2002	Merrick	.....	D25/135
D458,389 S *	6/2002	Abbestam	.....	D25/133
6,471,192 B1 *	10/2002	Erwin	.....	256/65.05

**OTHER PUBLICATIONS**

Cover from Kroy Building Products, Inc. of York, Nebraska.  
Cover from Homeland@Vinyl Fence Ltd. of Brampton,  
Ontario, Canada.

\* cited by examiner

*Primary Examiner*—Doris Clark

(74) *Attorney, Agent, or Firm*—McAndrews, Held & Malloy, Ltd.

(57) **CLAIM**

I claim the ornamental design for the cover for rail attachment, as shown and described.

**DESCRIPTION**

The nature and environmental use of the claimed design is as follows: The cover has an opening that receives an end of a rail. The cover hides or covers the attachment of the rail to a support post.

FIG. 1 is a perspective view of a cover for a rail attachment according to the present invention;

FIG. 2 is a top view of the cover for a rail attachment;

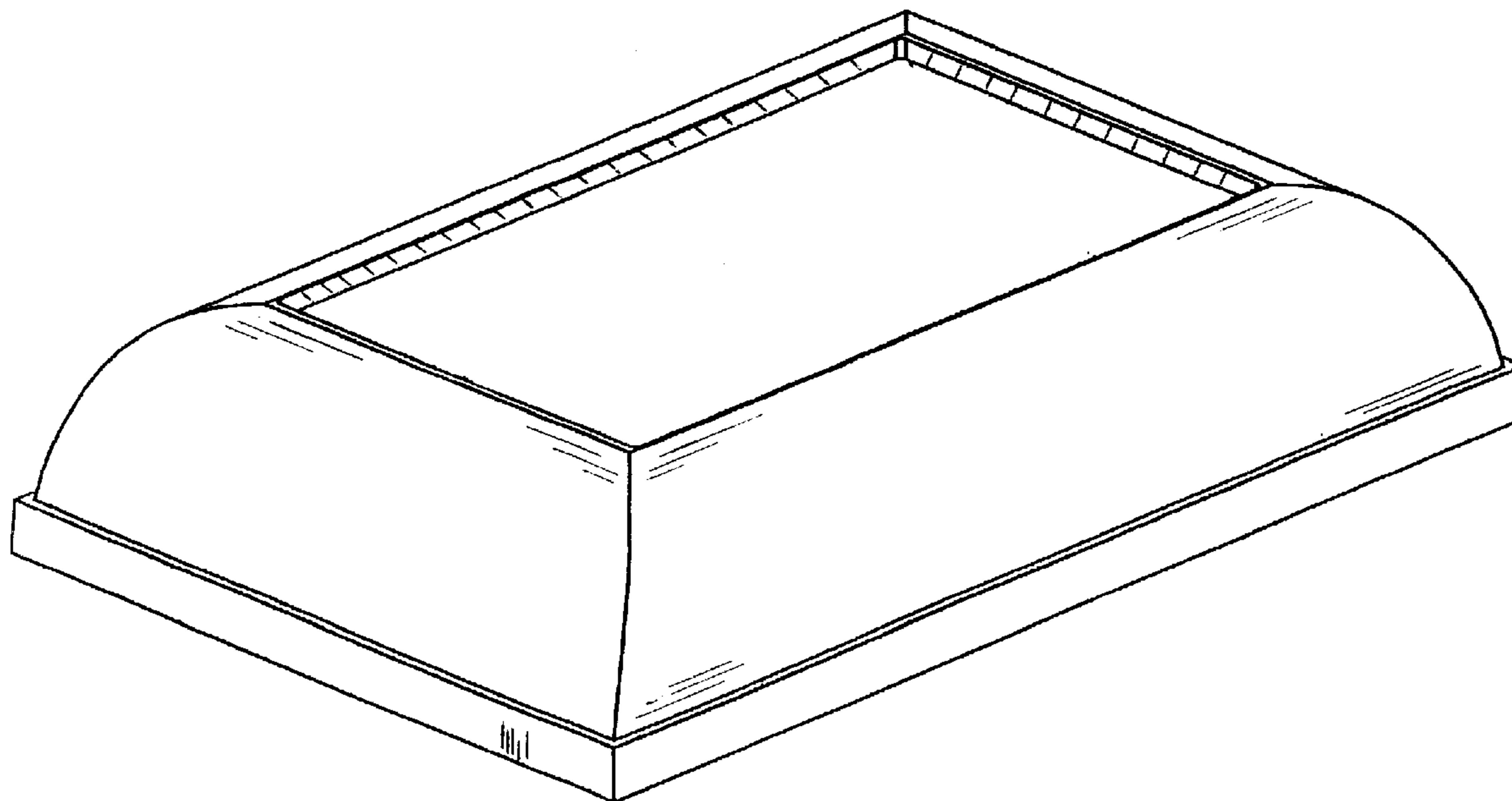
FIG. 3 is a right side view of the cover for a rail attachment;

FIG. 4 is an inverted view of the left side of the cover for a rail attachment;

FIG. 5 is a front view of the cover for a rail attachment; and,

FIG. 6 is a rear view of the cover for a rail attachment. Ordinarily, the bottom of the cover will not be visible when the cover is in use as a cover for a rail attachment.

**1 Claim, 6 Drawing Sheets**



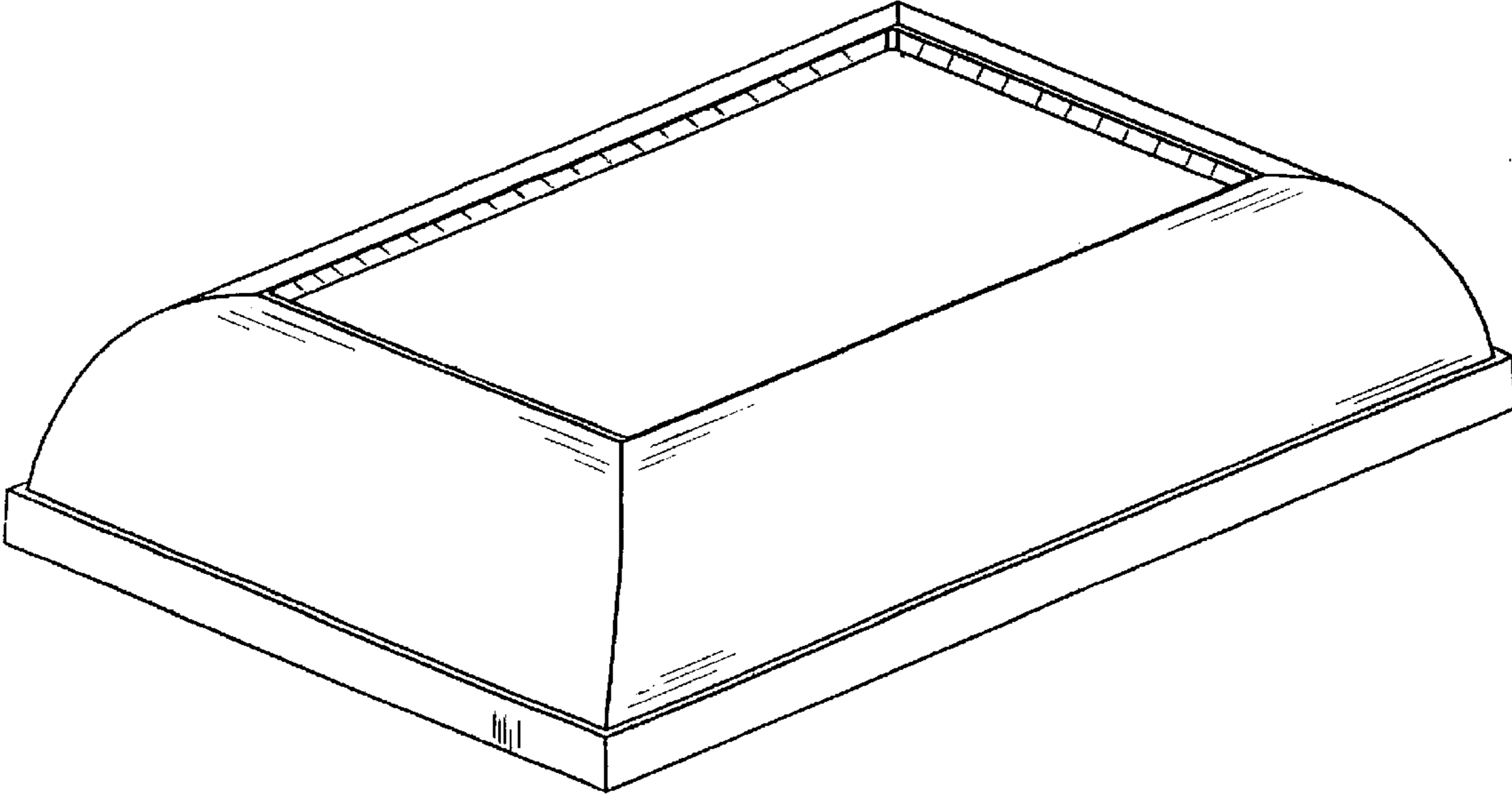


Figure 1

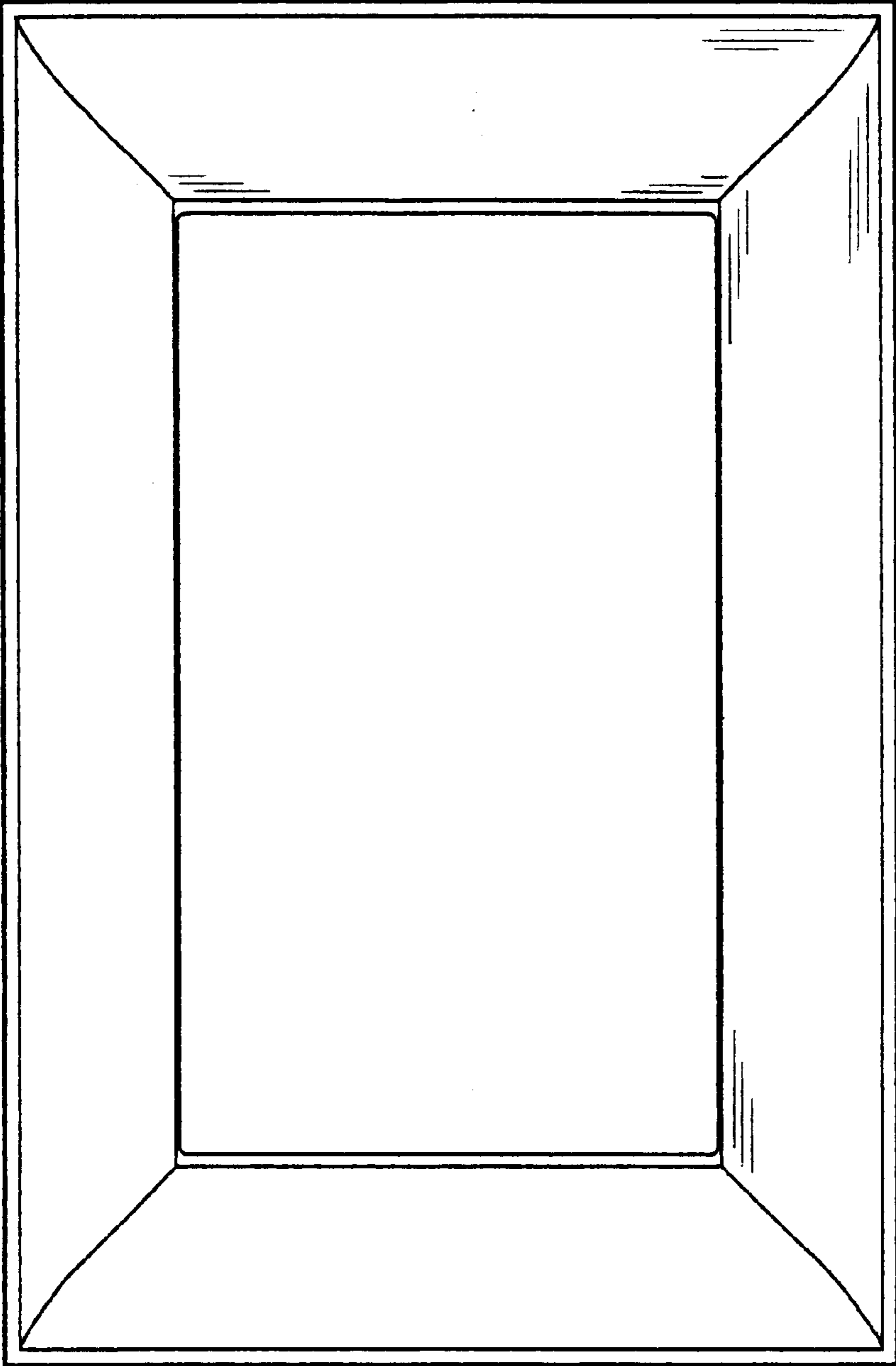


Figure 2

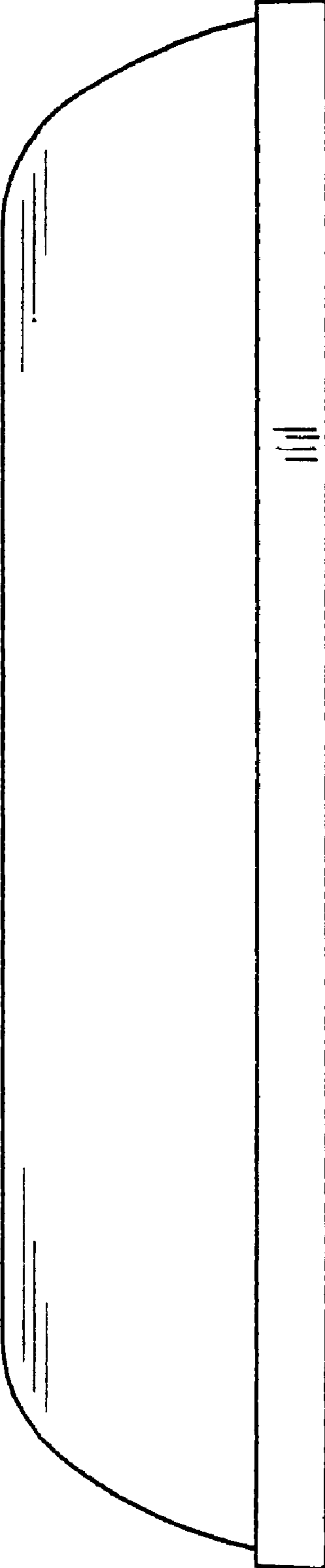


Figure 3

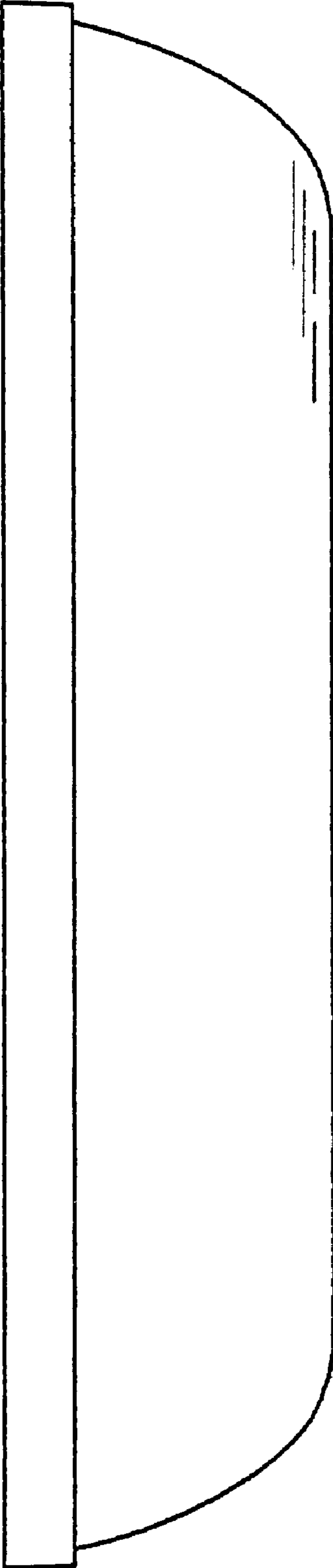


Figure 4

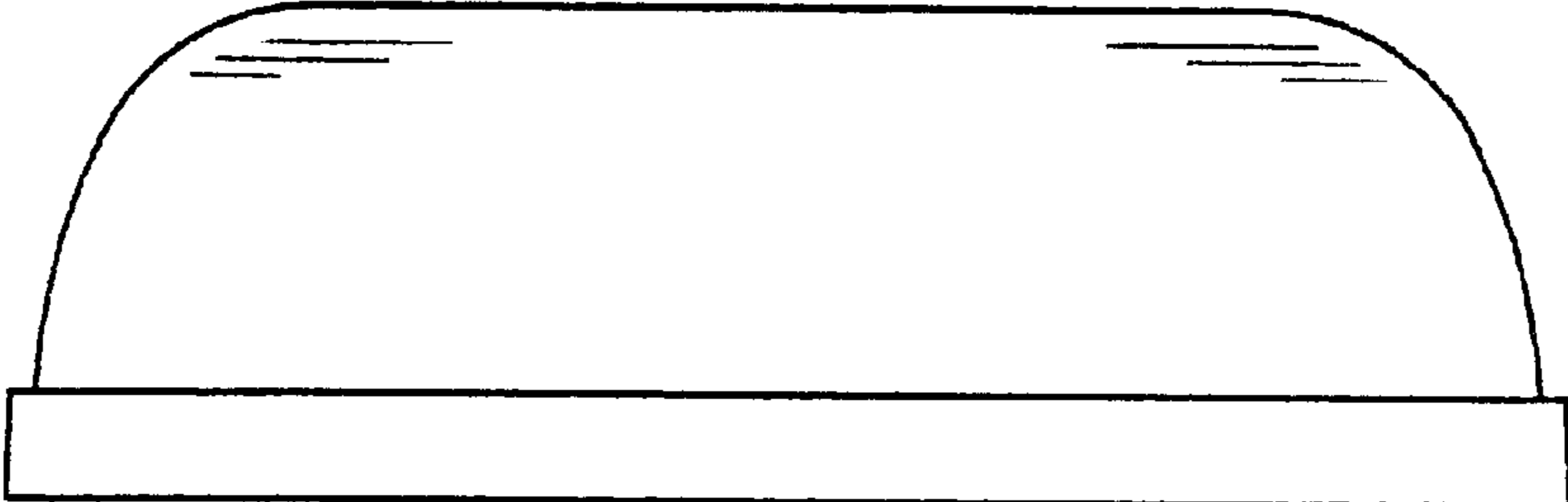


Figure 5

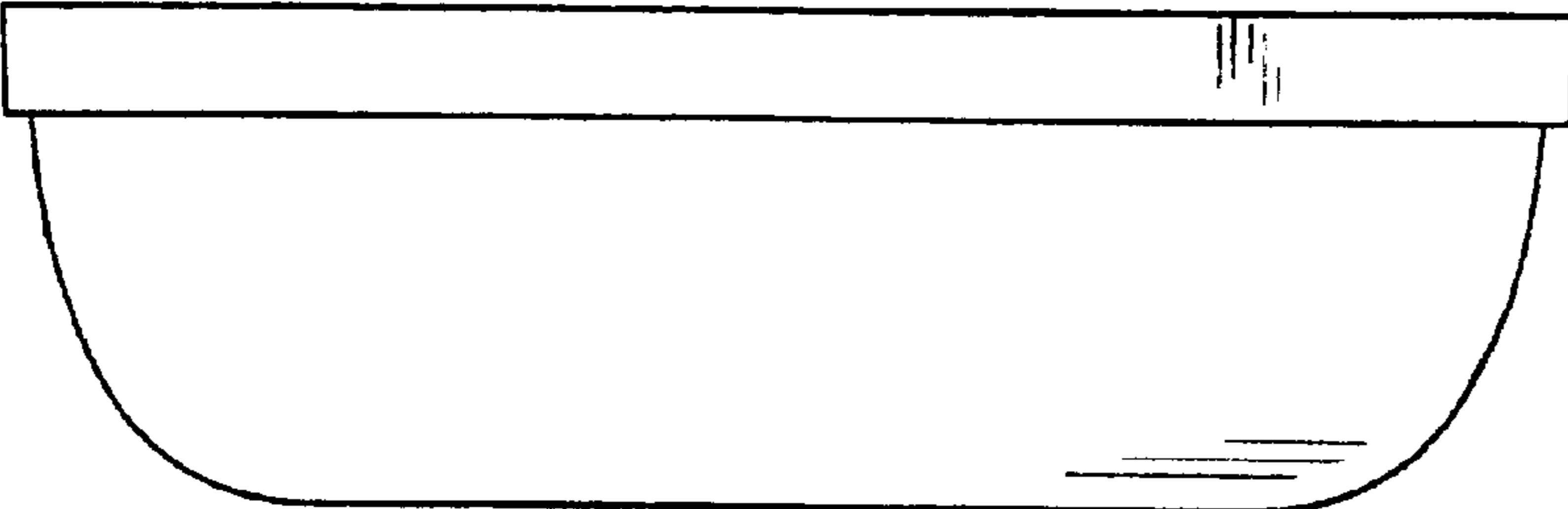


Figure 6