



US00D514234S

(12) **United States Design Patent**
Wickland

(10) **Patent No.:** **US D514,234 S**
(45) **Date of Patent:** **** Jan. 31, 2006**

(54) **WINDOW COMPONENT EXTRUSION**

D379,526 S * 5/1997 DiGiorgio D25/124
6,003,277 A * 12/1999 Graham et al. 52/309.7

(75) Inventor: **Timothy T. Wickland**, Rockford, IL
(US)

OTHER PUBLICATIONS

(73) Assignee: **Mikron Industries, Inc.**, Kent, WA
(US)

Mikron Part No. 7243; First Drawn: Aug. 14, 1995, First
Sold: Jun. 4, 1999.

(**) Term: **14 Years**

* cited by examiner

(21) Appl. No.: **29/220,196**

Primary Examiner—Doris Clark

(22) Filed: **Dec. 28, 2004**

(74) *Attorney, Agent, or Firm*—Black Lowe & Graham
PLLC

(51) **LOC (8) Cl.** **25-01**

(52) **U.S. Cl.** **D25/124**

(58) **Field of Classification Search** D25/124,
D25/60, 125; 52/204.1, 204.5, 204.51, 656.2,
52/656.5; 49/501, 504

See application file for complete search history.

(57) **CLAIM**

The ornamental design for a window component extrusion,
as shown and described.

(56) **References Cited**

DESCRIPTION

U.S. PATENT DOCUMENTS

FIG. 1 is a top right perspective view of the window
component extrusion which is broken in the center indicat-
ing indefinite length; and,
FIG. 2 is a bottom left perspective view of the window
component extrusion shown in FIG. 1.

D356,381 S 3/1995 Cole

1 Claim, 1 Drawing Sheet

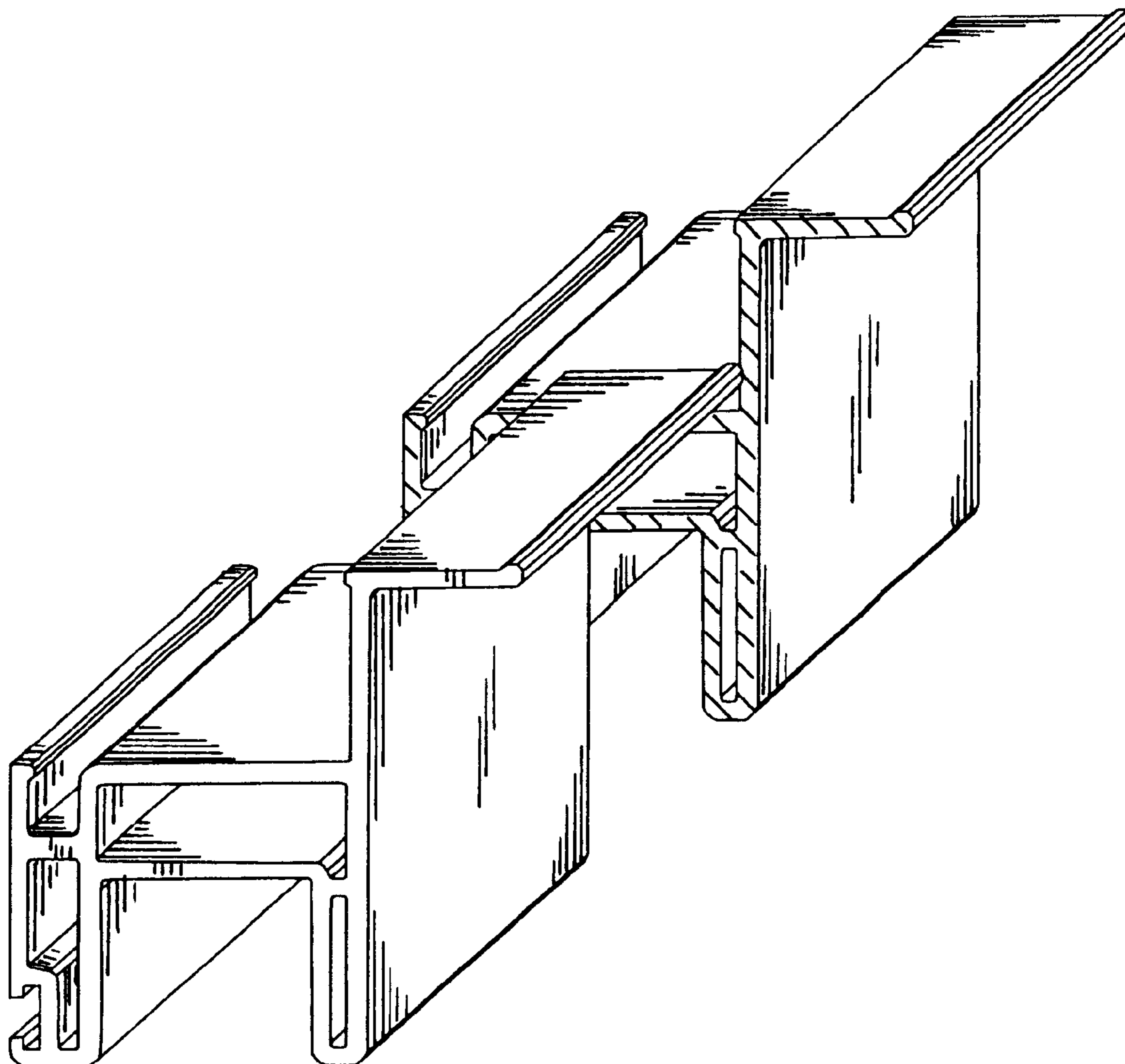


FIG.1

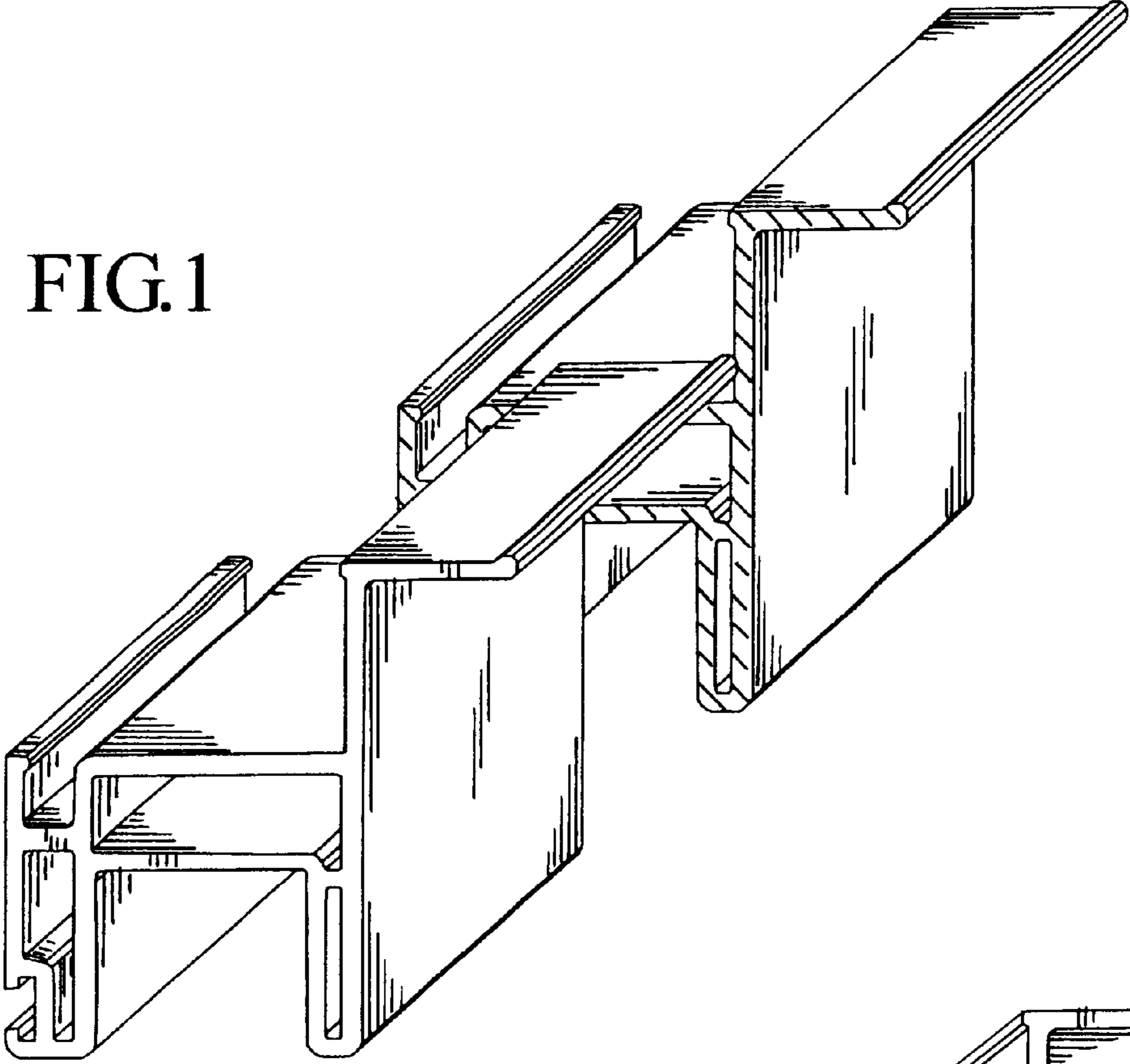


FIG.2

