



US00D514233S

(12) **United States Design Patent**
Hammer

(10) **Patent No.:** **US D514,233 S**
(45) **Date of Patent:** **** Jan. 31, 2006**

(54) **WALL BLOCK**

(75) **Inventor:** **James Hammer**, Fircrest, WA (US)

(73) **Assignee:** **Westblock Systems, Inc.**, Salem, OR (US)

(**) **Term:** **14 Years**

(21) **Appl. No.:** **29/217,656**

(22) **Filed:** **Nov. 18, 2004**

(51) **LOC (8) Cl.** **25-01**

(52) **U.S. Cl.** **D25/118**

(58) **Field of Classification Search** D25/112-118,
D25/164, 151; D21/483-486, 499-505; 405/15-16,
405/284, 286; 404/34, 37-42, 44-45; 52/102,
52/503-505, 596-609, 612

See application file for complete search history.

(56) **References Cited**

U.S. PATENT DOCUMENTS

2,703,487	A *	3/1955	Ossoinack	D25/117
4,498,266	A *	2/1985	Perreton	52/596
D333,354	S *	2/1993	Adams	D25/118
D333,355	S *	2/1993	Adams	D25/118
D476,749	S *	7/2003	Cerrato	D25/114
6,862,856	B2 *	3/2005	Turgeon-Schramm	52/603
			et al.	52/603
2003/0074856	A1 *	4/2003	Hammer	52/604

OTHER PUBLICATIONS

Drawings of BarrierStone blocks, on sale prior to Nov. 17, 2003 (2 pages).

* cited by examiner

Primary Examiner—Robert A. Delehanty
(74) *Attorney, Agent, or Firm*—Klarquist Sparkman LLP

(57) **CLAIM**

I claim the ornamental design for a wall block, as shown and described.

DESCRIPTION

FIG. 1 is a perspective view of a wall block, according to one embodiment, as viewed from the front, top, and one side of the block.

FIG. 2 is a top plan view of the block of FIG. 1.

FIG. 3 is a side elevation view of one side of the block of FIG. 1, the opposite side being a mirror image thereof.

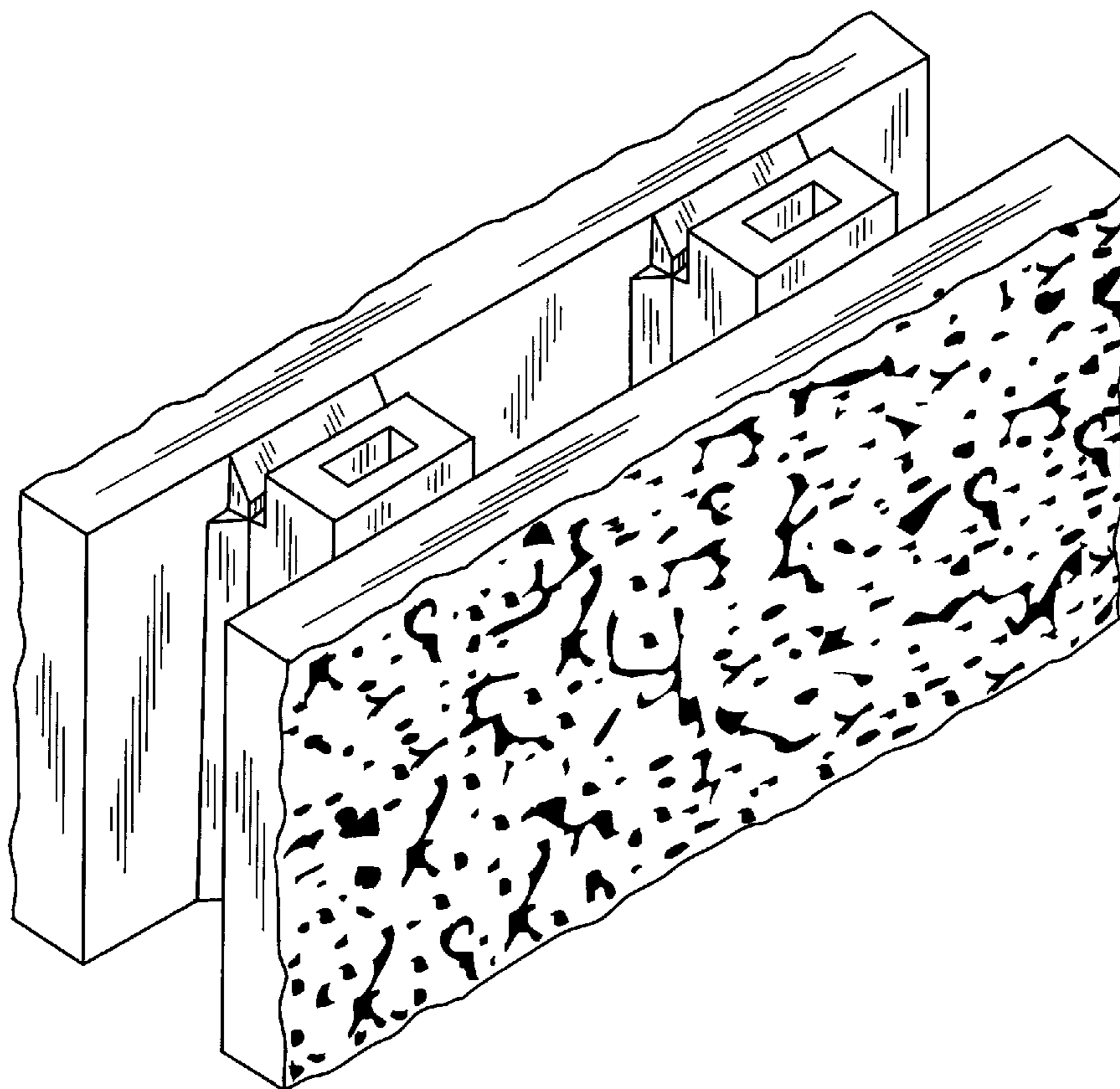
FIG. 4 is a front elevation view of the front of the block of FIG. 1, the back of the block being a mirror image thereof.

FIG. 5 is a bottom plan view of the block of FIG. 1.

FIG. 6 is a cross-sectional view of the block of FIG. 1 taken along line 6—6 of FIG. 2; and,

FIG. 7 is a cross-sectional view of the block of FIG. 1 taken along line 7—7 of FIG. 2.

1 Claim, 2 Drawing Sheets



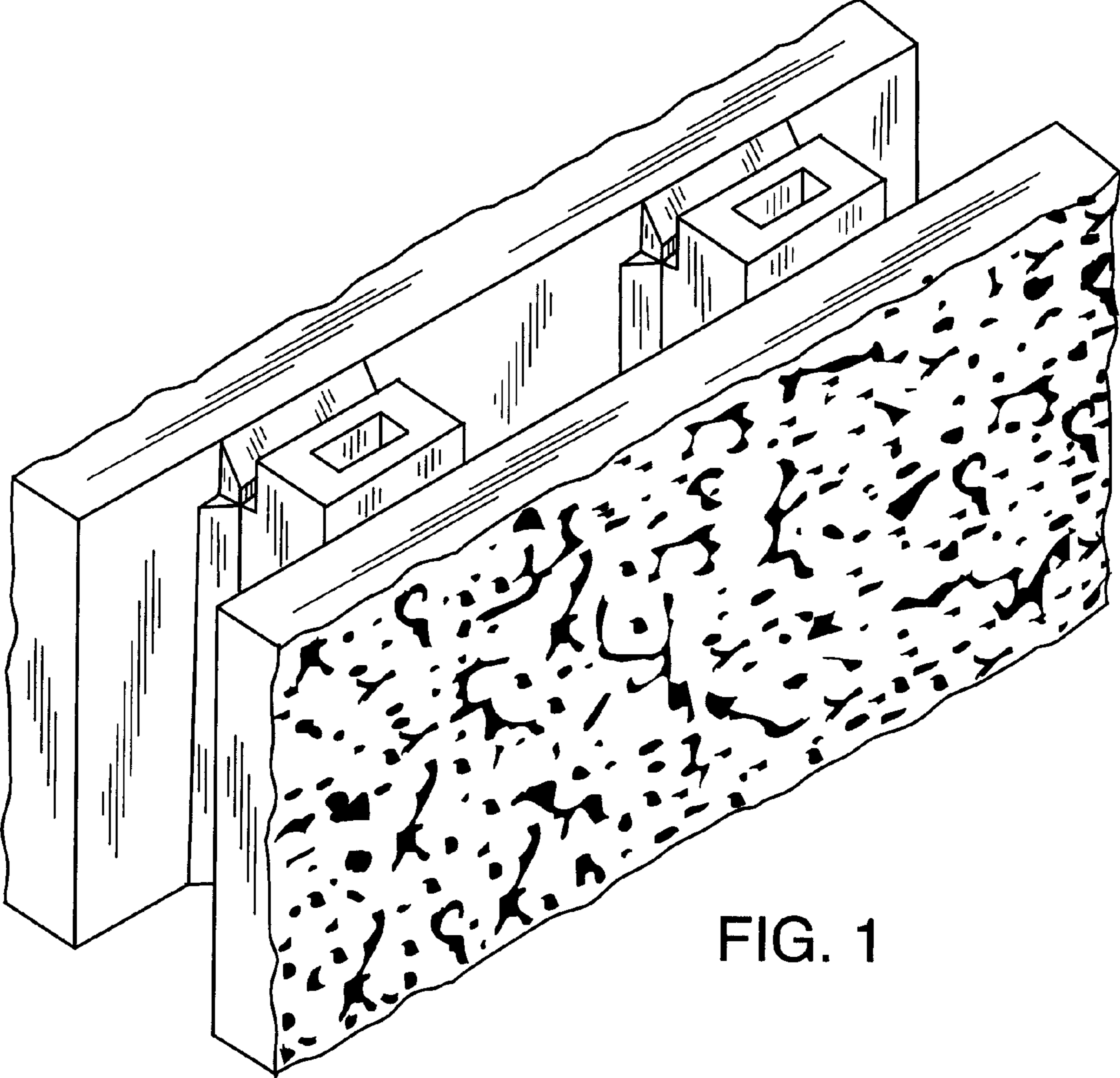


FIG. 1

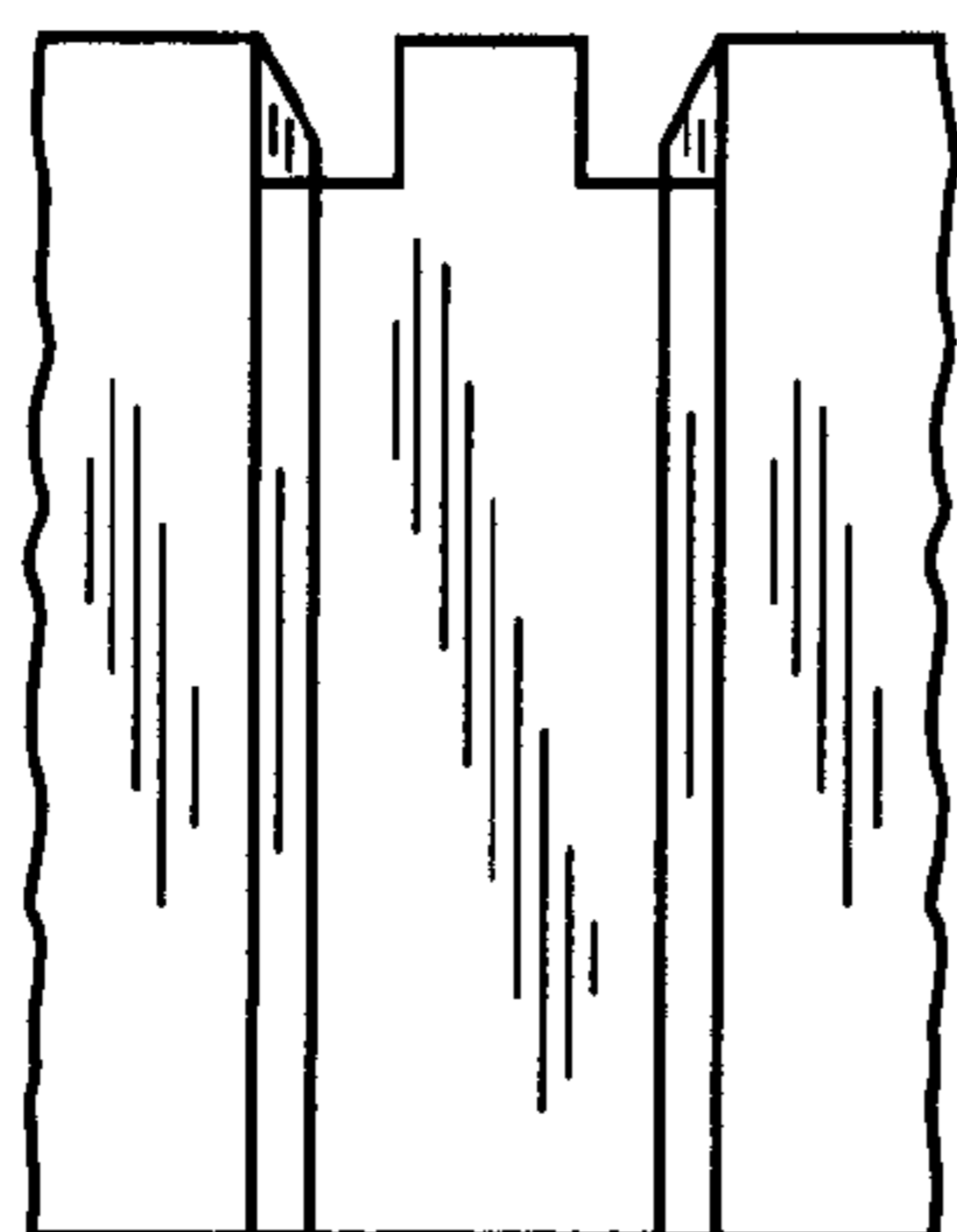
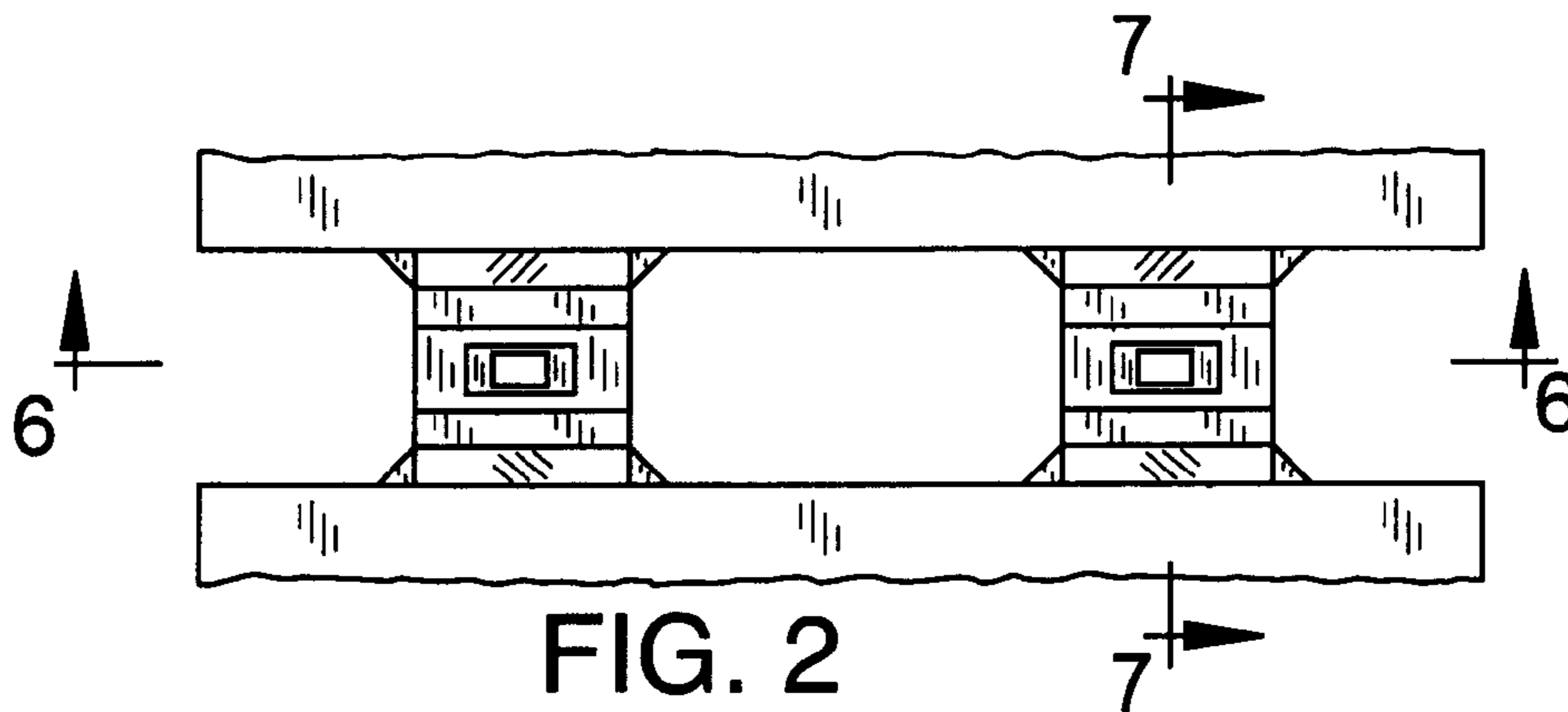


FIG. 3

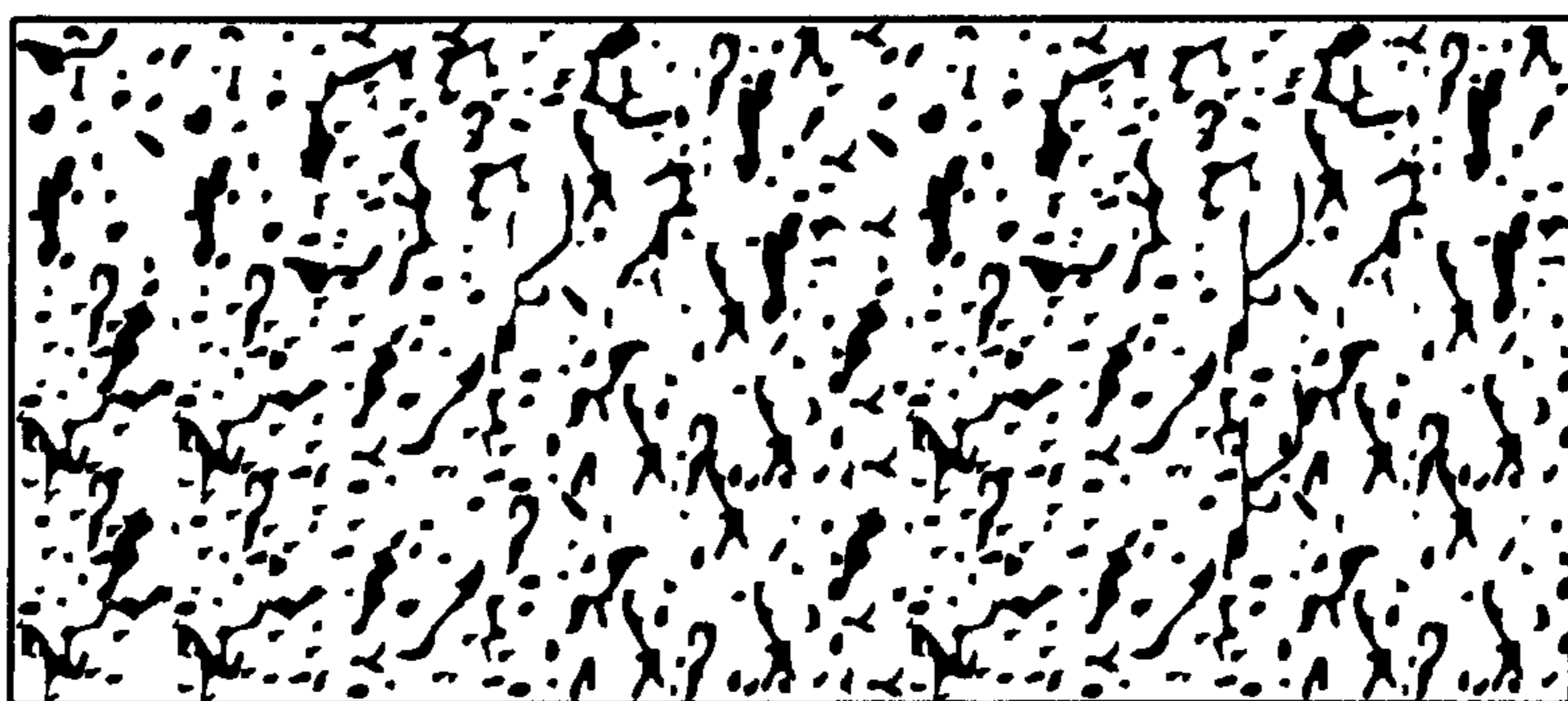


FIG. 4

FIG. 5

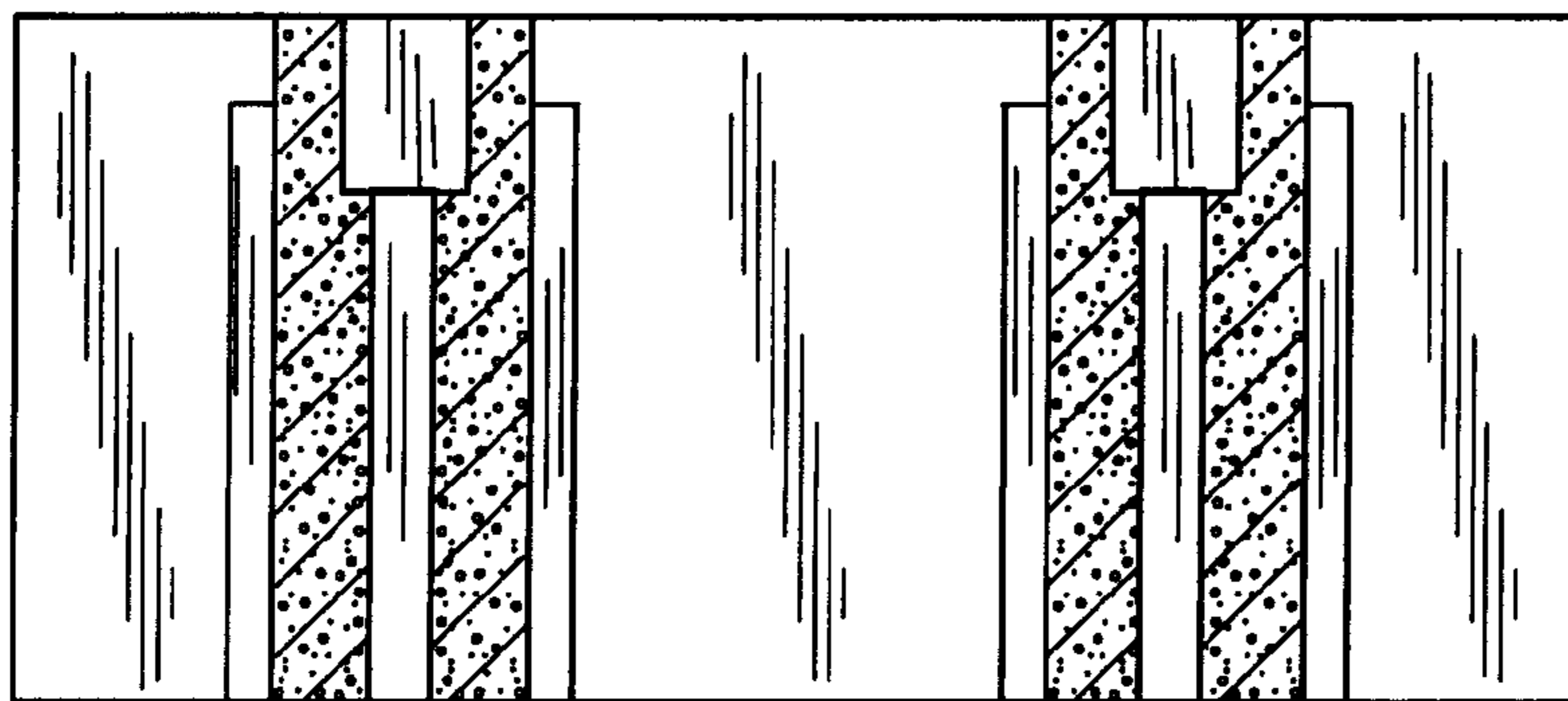
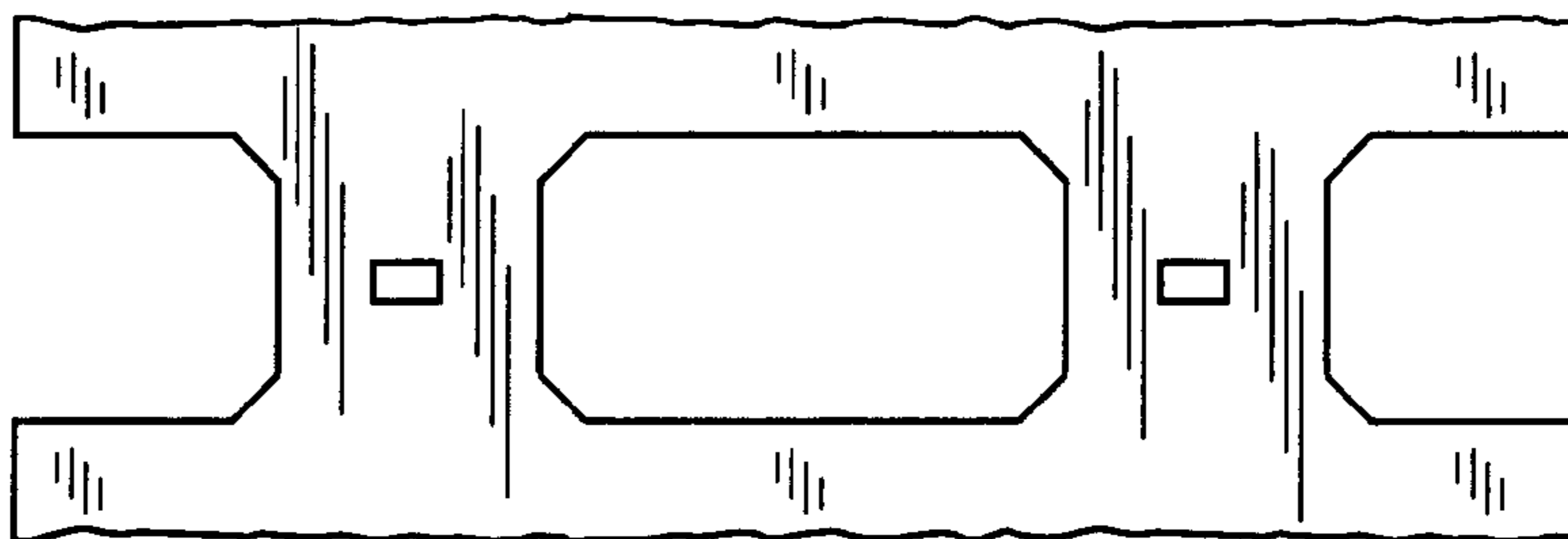


FIG. 6

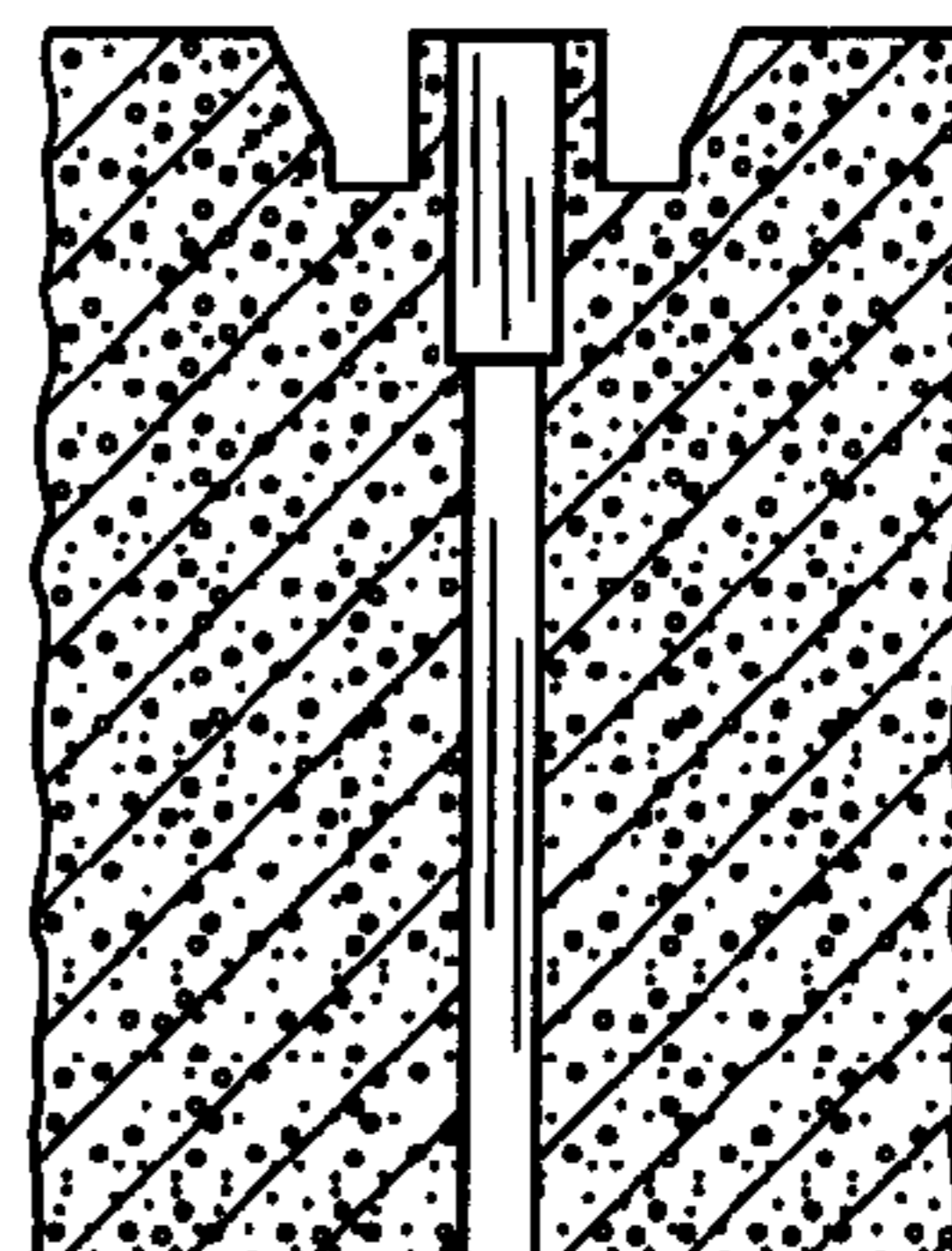


FIG. 7